

Job Name		Engineer / Architect	
Job Location		Wholesaler	
Submittal Date		Contractor	

OCR19B12A/ OCR19B16A/ OCR19B20A Braided Faucet Supply Kit - Compression Multi-Turn Angle Stop

Use: For use in potable water distribution systems in accessible locations only. Not intended for recirculating water systems that produce continuous use temperatures above 115° F. For those applications, use BrassCraft KT series ball stop supply kits

Design Features:

- **Everything you need.** Kits include a multi- turn stop, escutcheon and braided flexible connector, everything you need to hookup your water supply
- **Compliant Kits available** for California and Vermont “low-lead” requirements

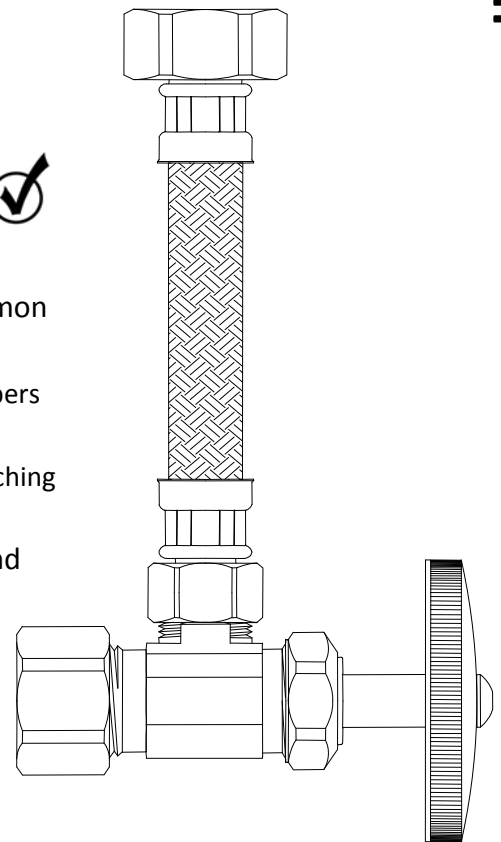


Braided connector provides:

- **Superior corrosion resistance** to harsh chemicals found in common household cleaning and plumbing repair products
- **More flexible than stainless steel,** the braided polymer-coated fibers bend freely without kinking or crimping
- **Tough inner core** is reinforced to resist chlorine and chloramine leaching and deterioration
- **Nitrile rubber washers** provide a large pliable sealing surface and ensures a long lasting water tight connection
- **8-sided pneumatic crimp** provides greater dependability for reliable nut-to-hose connections

Multi-Turn stop provides:

- **Machined one-piece brass body** provides strength, durability and long-lasting performance
- **Oval knurled handle** provides a secure grip and smooth on/off operation
- **Easy-to-remove handle** with screw attachment helps protect against accidental stop operation during rough-ins



Includes 1/2” Nom. shallow escutcheon (see 649 submittal form for details)



Operating Specifications:

Temperature: 40°- 140° F
Pressure: 125 psi maximum

Tubing Diameter: 0.300” I.D. (0.550” O.D.)

This specification and all information contained herein is the confidential and exclusive property of BrassCraft Manufacturing, and shall not be disclosed to others without the written consent of BrassCraft. This specification must be returned to BrassCraft if requested.



OCR19B12A/ OCR19B16A/ OCR19B20A Braided Faucet Supply Kit - Compression Multi-Turn Angle Stop

Standard

MATERIAL SPECIFICATIONS	
Multi-Turn Stop	
Valve Body	C36000 brass
Stem	POM
Bib & Packing Washers	Nitrile or EPDM rubber
Packing Nut	C36000 brass
Handle	Metal, chrome plated ABS or Lexan
Handle Screw	Zinc-plated steel
Compression Nut	C36000 brass
Compression Sleeve	C36000 brass
Escutcheon	
	Stainless steel

Compliant

MATERIAL SPECIFICATIONS	
Multi-Turn Stop	
Valve Body	Compliant brass
Stem	POM
Bib & Packing Washers	Nitrile or EPDM rubber
Packing Nut	Compliant brass
Handle	Metal, chrome plated ABS or Lexan
Handle Screw	Zinc-plated steel
Compression Nut	C36000 brass
Compression Sleeve	C36000 brass

MATERIAL SPECIFICATIONS	
Braided Connector	
Inner Hose	Reinforced PVC
Braiding	PVC coated polyester yarn
Barb	Compliant brass
Ferrule	Zinc plated 1008 steel

MATERIAL SPECIFICATIONS	
Braided Connector (con't)	
Nut	C36000 brass
Washer	Nitrile rubber
Compression Ring & Nut	C36000 brass

Standard Part Listing:

- OCR19B12A C 1/2" Nom. Compression x 3/8" OD Compression multi-turn stop with 1/2" F.I.P. outlet x 12" length braided connector & shallow escutcheon, chrome plated
- OCR19B16A C 1/2" Nom. Compression x 3/8" OD Compression multi-turn stop with 1/2" F.I.P. outlet x 16" length braided connector & shallow escutcheon, chrome plated
- OCR19B20A C 1/2" Nom. Compression x 3/8" OD Compression multi-turn stop with 1/2" F.I.P. outlet x 20" length braided connector & shallow escutcheon, chrome plated

Compliant Part Listing:

- OCR19B16AX C 1/2" Nom. Compression x 3/8" OD Compression multi-turn stop with 1/2" F.I.P. outlet x 16" length braided connector & shallow escutcheon, chrome plated
- OCR19B20AX C 1/2" Nom. Compression x 3/8" OD Compression multi-turn stop with 1/2" F.I.P. outlet x 20" length braided connector & shallow escutcheon, chrome plated

Listings & Certifications:

- IAPMO listed to ASME A112.18.6-2003 (File # 0452) and ASME A112.8.1-05/ CSA B125.1-05 (File # 0645)
- CSA listed to ASME A112.18.6-2003 / CSA B125 and ASME A112.8.1-05/ CSA B125.1-05 (File # 204593)
- Compliant product CSA approved to California Health & Safety Code 116875 and Vermont Bill S.152 (Project # 2174785)

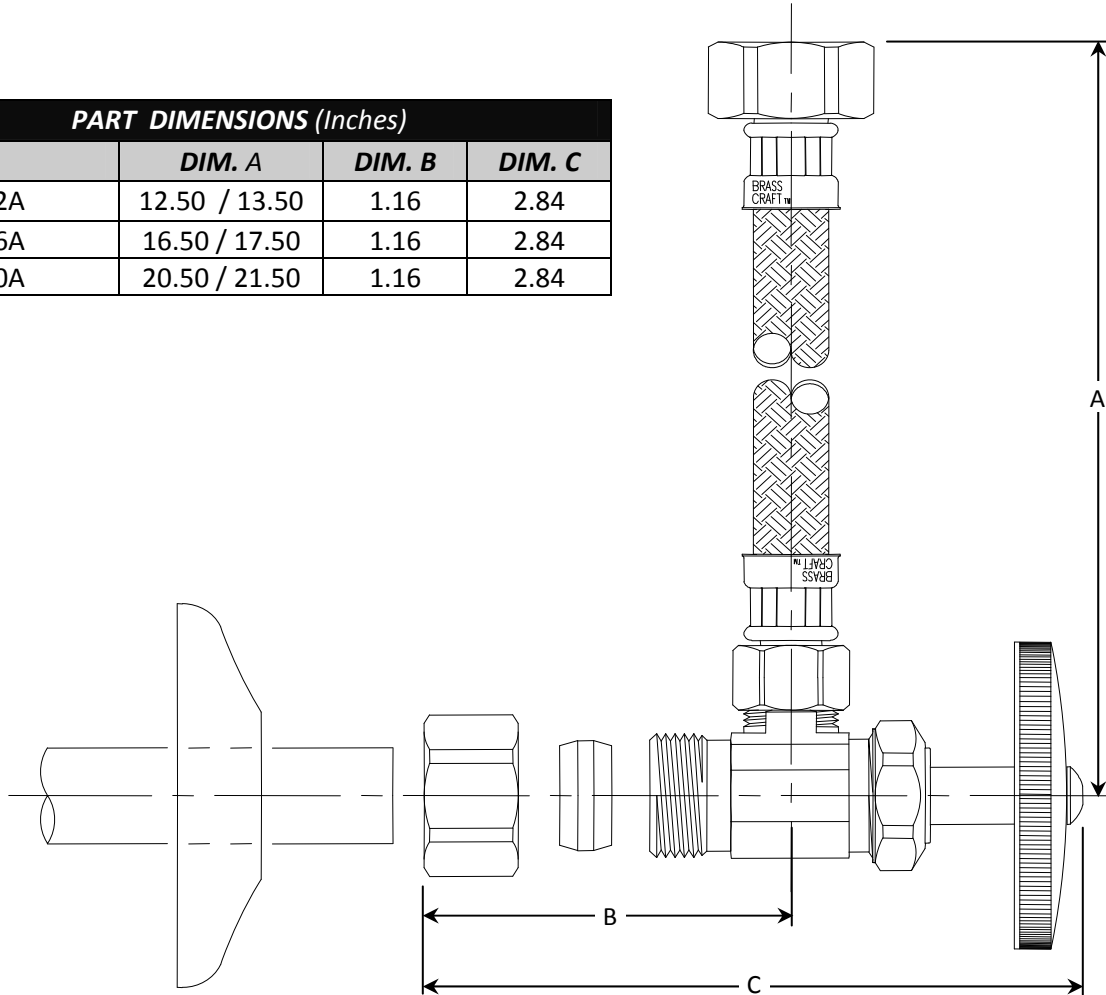


This specification and all information contained herein is the confidential and exclusive property of BrassCraft Manufacturing, and shall not be disclosed to others without the written consent of BrassCraft. This specification must be returned to BrassCraft if requested.



OCR19B12A/ OCR19B16A/ OCR19B20A Braided Faucet Supply Kit - Compression Multi-Turn Angle Stop

<i>PART DIMENSIONS (Inches)</i>			
<i>Model</i>	<i>DIM. A</i>	<i>DIM. B</i>	<i>DIM. C</i>
OCR19B12A	12.50 / 13.50	1.16	2.84
OCR19B16A	16.50 / 17.50	1.16	2.84
OCR19B20A	20.50 / 21.50	1.16	2.84



This specification and all information contained herein is the confidential and exclusive property of BrassCraft Manufacturing, and shall not be disclosed to others without the written consent of BrassCraft. This specification must be returned to BrassCraft if requested.

