

*For Residential and Commercial Applications*

Job Name		Engineer / Architect	
Job Location		Wholesaler	
Submittal Date		Contractor	

## OCR1912/15/20AX      Copper Faucet Supply Kit - Multi-Turn Compression Angle Stop

**Use:** For use in potable water distribution systems in accessible locations only. Not intended for recirculating water systems that produce continuous use temperatures above 115° F. For those applications, use our KT™ series ball stop supply kits.

**Design Features:**

- **Everything you need.** These kits combine our trusted BrassCraft® supply stop, copper riser, and escutcheon for an easy-to-install connection



*Copper riser provides:*

- **One-piece** construction
- **Cut-to-length** for a clean, professional installation

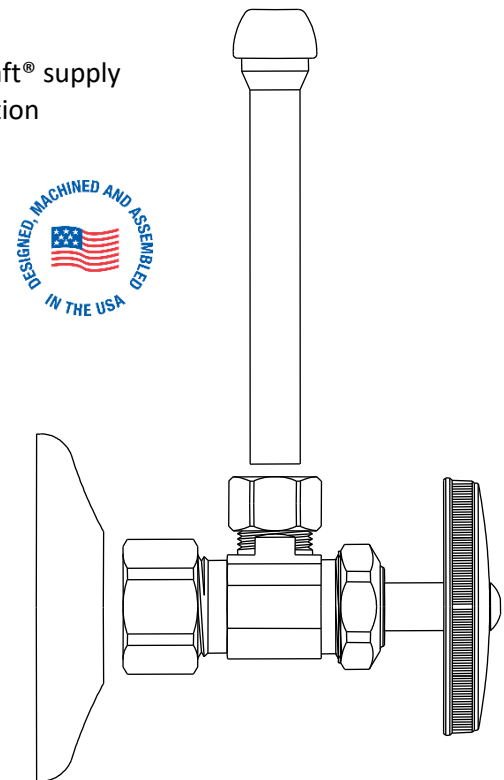
*Multi-turn stop provides:*

- **Machined one-piece brass body** provides strength, durability, and long-lasting performance
- **Oval knurled handle** provides a secure grip and smooth on/off operation
- **Easy-to-remove handle** helps protect against accidental stop operation during rough-ins

**Operating Specifications:**

**Temperature:** 40° - 160° F  
**Pressure:** 125 PSI maximum

**Tubing Diameter:** .38" OD



CONNECTOR MATERIAL SPECIFICATIONS	
<b>Tube</b>	Copper, plated
<b>Insert</b>	POM

STOP MATERIAL SPECIFICATIONS	
<b>Body</b>	Brass, plated
<b>Stem</b>	POM or brass, plated
<b>Handle</b>	Zinc, die cast plated; ABS, plated; or polycarbonate
<b>Handle Screw</b>	Steel, plated
<b>Bib &amp; Packing Washer</b>	Rubber
<b>Packing Nut</b>	Brass, plated
<b>Loose Key</b>	Zinc, die cast
<b>Loose Key Stem</b>	Brass, plated
<b>Lock Shield</b>	Brass, plated

*This specification and all information contained herein is the confidential and exclusive property of Brasscraft Manufacturing Company and shall not be disclosed to others without the written consent of Brasscraft Mfg. Co. This specification must be returned to BrassCraft Mfg. Co. if requested.*

400.231 OCR19\*\*AX Copper Faucet Supply Kit-Comp MT Ang Stop REV 9.19



©2019 Brasscraft Manufacturing Company

# OCR1912/15/20AX Copper Faucet Supply Kit - Multi-Turn Compression Angle Stop

## Part Listing:

<input type="checkbox"/>	OCR1912AX C	1/2" nom compression x 3/8" OD compression stop with 3/8" OD tube x 11-1/2" length riser & shallow escutcheon, chrome
<input type="checkbox"/>	OCR1912AX R	1/2" nom compression x 3/8" OD compression stop with 3/8" OD tube x 11-1/2" length riser & shallow escutcheon, rough brass
<input type="checkbox"/>	OCR1912AZX C	1/2" nom compression x 3/8" OD compression stop, brass stem with 3/8" OD tube x 11-1/2" length riser & shallow escutcheon, chrome
<input type="checkbox"/>	OCR1915AX C	1/2" nom compression x 3/8" OD compression stop with 3/8" OD tube x 14-1/2" length riser & shallow escutcheon, chrome
<input type="checkbox"/>	OCR1920AX C	1/2" nom compression x 3/8" OD compression stop with 3/8" OD tube x 19-1/2" length riser & shallow escutcheon, chrome
<input type="checkbox"/>	OCR1920AX BZ	1/2" nom compression x 3/8" OD compression stop with 3/8" OD tube x 19-1/2" length riser & shallow escutcheon, oil rubbed bronze
<input type="checkbox"/>	OCR1920AX NS	1/2" nom compression x 3/8" OD compression stop with 3/8" OD tube x 19-1/2" length riser & shallow escutcheon, satin nickel
<input type="checkbox"/>	OCR1920AZX C	1/2" nom compression x 3/8" OD compression stop, brass stem with 3/8" OD tube x 19-1/2" length riser & shallow escutcheon, chrome
<input type="checkbox"/>	OCR1920AZX R	1/2" nom compression x 3/8" OD compression stop, brass stem with 3/8" OD tube x 19-1/2" length riser & shallow escutcheon, rough brass
<input type="checkbox"/>	SCR1912AX C	1/2" nom compression x 3/8" OD compression stop with 3/8" OD tube x 11-1/2" length riser & shallow escutcheon, loose key, chrome
<input type="checkbox"/>	SCR1915AX C	1/2" nom compression x 3/8" OD compression stop with 3/8" OD tube x 14-1/2" length riser & shallow escutcheon, loose key, chrome
<input type="checkbox"/>	SCR1920AX C	1/2" nom compression x 3/8" OD compression stop with 3/8" OD tube x 19-1/2" length riser & shallow escutcheon, loose key, chrome
<input type="checkbox"/>	SSCR1912AX C	1/2" nom compression x 3/8" OD compression stop with 3/8" OD tube x 11-1/2" length riser & shallow escutcheon, screwdriver slot, chrome
<input type="checkbox"/>	SSCR1915AX C	1/2" nom compression x 3/8" OD compression stop with 3/8" OD tube x 14-1/2" length riser & shallow escutcheon, screwdriver slot, chrome
<input type="checkbox"/>	SSCR1920AX C	1/2" nom compression x 3/8" OD compression stop with 3/8" OD tube x 19-1/2" length riser & shallow escutcheon, screwdriver slot, chrome
<input type="checkbox"/>	STCR1912AX C	1/2" nom compression x 3/8" OD compression stop with 3/8" OD tube x 11-1/2" length riser & shallow escutcheon, loose key, stuffing box, lock shield, chrome
<input type="checkbox"/>	STCR1915AX C	1/2" nom compression x 3/8" OD compression stop with 3/8" OD tube x 14-1/2" length riser & shallow escutcheon, loose key, stuffing box, lock shield, chrome
<input type="checkbox"/>	STCR1920AX C	1/2" nom compression x 3/8" OD compression stop with 3/8" OD tube x 19-1/2" length riser & shallow escutcheon, loose key, stuffing box, lock shield, chrome

*This specification and all information contained herein is the confidential and exclusive property of Brasscraft Manufacturing Company and shall not be disclosed to others without the written consent of Brasscraft Mfg. Co. This specification must be returned to Brasscraft Mfg. Co. if requested.*

400.231 OCR19\*\*AX Copper Faucet Supply Kit-Comp MT Ang Stop REV 9.19

**BrassCraft**®

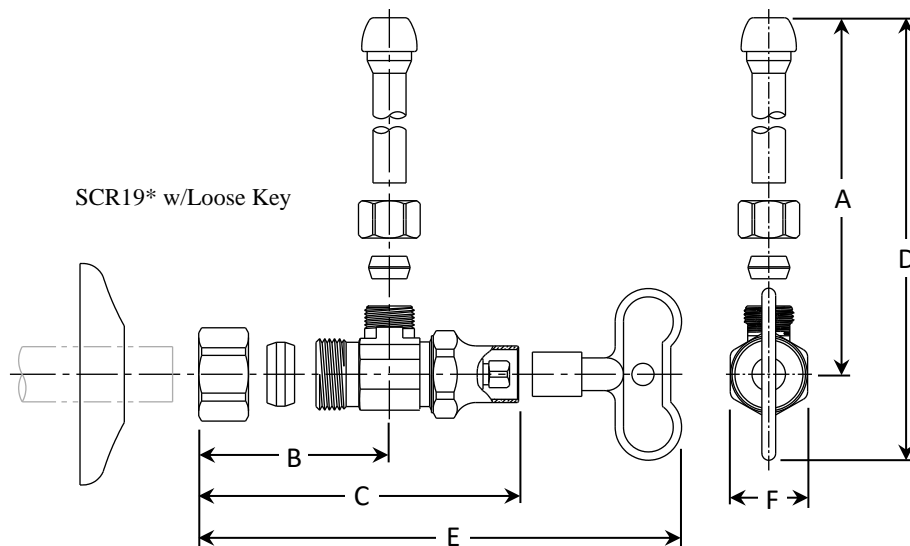
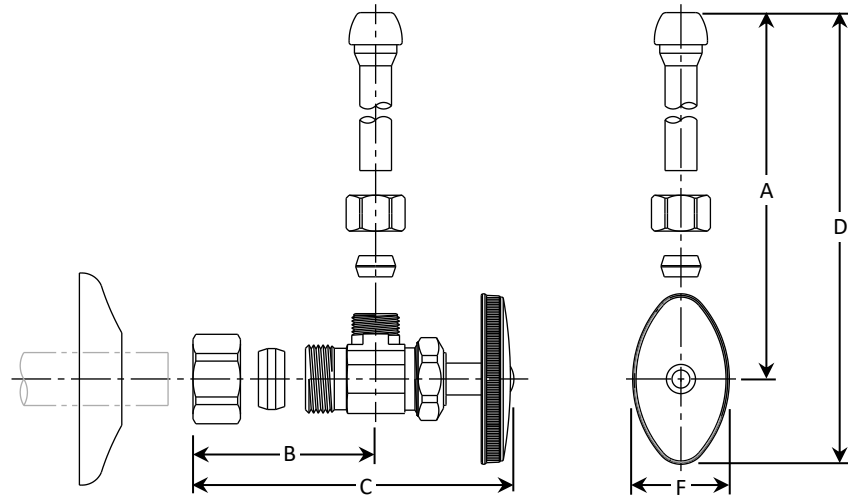
©2019 Brasscraft Manufacturing Company

# OCR1912/15/20AX

# Copper Faucet Supply Kit - Multi-Turn

## Compression Angle Stop

PART DIMENSIONS (Inches)						
Model	DIM. A	DIM. B	DIM. C	DIM. D	DIM. E	DIM. F
OCR1912AX /AZX	12.0	1.16	2.84	13.0	-	1.14
OCR1915AX	15.0	1.16	2.84	16.0	-	1.14
OCR1920AX /AZX	20.0	1.16	2.84	21.0	-	1.14
SCR1912AX	12.0	1.20	2.64	13.0	4.49	.88
SCR1915AX	15.0	1.20	2.64	16.0	4.49	.88
SCR1920AX	20.0	1.20	2.64	21.0	4.49	.88
SSCR1912AX	12.0	1.20	2.64	-	-	.88
SSCR1915AX	15.0	1.20	2.64	-	-	.88
SSCR1920AX	20.0	1.20	2.64	-	-	.88
STCR1912AX	12.0	1.20	3.03	13.0	4.88	.88
STCR1915AX	15.0	1.20	3.03	16.0	4.88	.88
STCR1920AX	20.0	1.20	3.03	21.0	4.88	.88



*This specification and all information contained herein is the confidential and exclusive property of Brasscraft Manufacturing Company and shall not be disclosed to others without the written consent of Brasscraft Mfg. Co. This specification must be returned to Brasscraft Mfg. Co. if requested.*

400.231 OCR19\*\*AX Copper Faucet Supply Kit-Comp MT Ang Stop REV 9.19

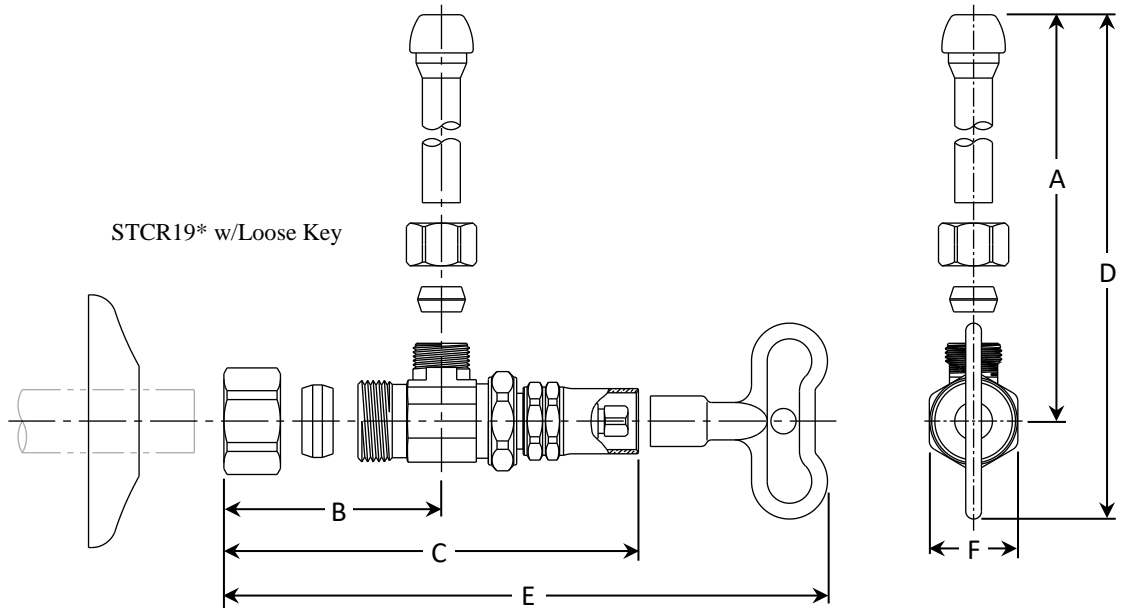
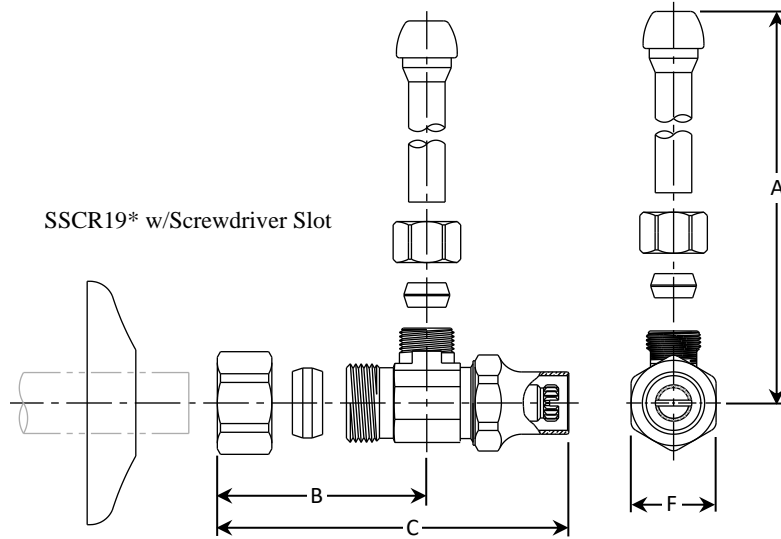
**BrassCraft**®

©2019 Brasscraft Manufacturing Company

OCR1912/15/20AX

Copper Faucet Supply Kit - Multi-Turn

Compression Angle Stop



**Listings & Certifications:**

- IAPMO listed to ASME A112.18.1/CSA B125.1 (includes NSF/ANSI 372 and NSF/ANSI/CAN 61)



*This specification and all information contained herein is the confidential and exclusive property of Brasscraft Manufacturing Company and shall not be disclosed to others without the written consent of Brasscraft Mfg. Co. This specification must be returned to BrassCraft Mfg. Co. if requested.*

400.231 OCR19\*\*AX Copper Faucet Supply Kit-Comp MT Ang Stop REV 9.19

**BrassCraft®**

©2019 Brasscraft Manufacturing Company