

For Residential and Commercial Applications

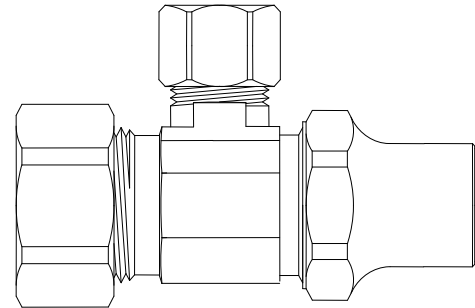
Job Name		Engineer / Architect	
Job Location		Wholesaler	
Submittal Date		Contractor	

SCR1900/ SCR1901/ SCR3901/ SCR3903 Multi-Turn Dual Outlet Stop With Loose Key – Compression Inlet

Use: For use in potable water distribution systems. Not intended for recirculating water systems that produce continuous use temperatures above 115° F. For those applications, use BrassCraft KT series ball stops

Design Features:

- **Machined one-piece brass body** provides strength, durability and long-lasting performance
- **Loose key handle design** helps protect against accidental stop operation during rough-ins and in general use
- **Compliant Dual-Outlet Stops** available for California and Vermont “low-lead” requirements



Operating Specifications:

Temperature: 40°- 140° F

Pressure: 125 psi maximum



Standard

MATERIAL SPECIFICATIONS	
Valve Body	C36000 brass
Lockshield Stem	C36000 brass
Bib & Packing Washers	Nitrile or EPDM rubber
Packing Nut	C36000 brass
Loose Key	Zinc die cast
Compression Sleeve	C36000 brass
Compression Nut	C36000 brass

Compliant

MATERIAL SPECIFICATIONS	
Valve Body	Compliant brass
Lockshield Stem	Compliant brass
Bib & Packing Washers	Nitrile or EPDM rubber
Packing Nut	Compliant brass
Loose Key	Zinc die cast
Compression Sleeve	C36000 brass
Compression Nut	C36000 brass

Standard Part Listing:

- SCR1900L C1 1/2" Nom. Compression x 3/8" OD Compression (left side) x 1/4" OD Compression, chrome plated, window tray
- SCR1900R C1 1/2" Nom. Compression x 3/8" OD Compression (right side) x 1/4" OD Compression, chrome plated, window tray
- SCR1901LR C1 1/2" Nom. Compression x 3/8" OD Compression x 3/8" OD Compression, chrome plated, window tray
- SCR1901LR R1 1/2" Nom. Compression x 3/8" OD Compression x 3/8" OD Compression, rough brass, window tray
- SCR3901L C1 1/2" Nom. Compression x 1/2" OD Compression (left side) x 3/8" OD Compression, chrome plated, window tray

This specification and all information contained herein is the confidential and exclusive property of BrassCraft Manufacturing, and shall not be disclosed to others without the written consent of BrassCraft. This specification must be returned to BrassCraft if requested.



SCR1900/ SCR1901/ SCR3901/ SCR3903 Multi-Turn Dual Outlet Stop With Loose Key – Compression Inlet

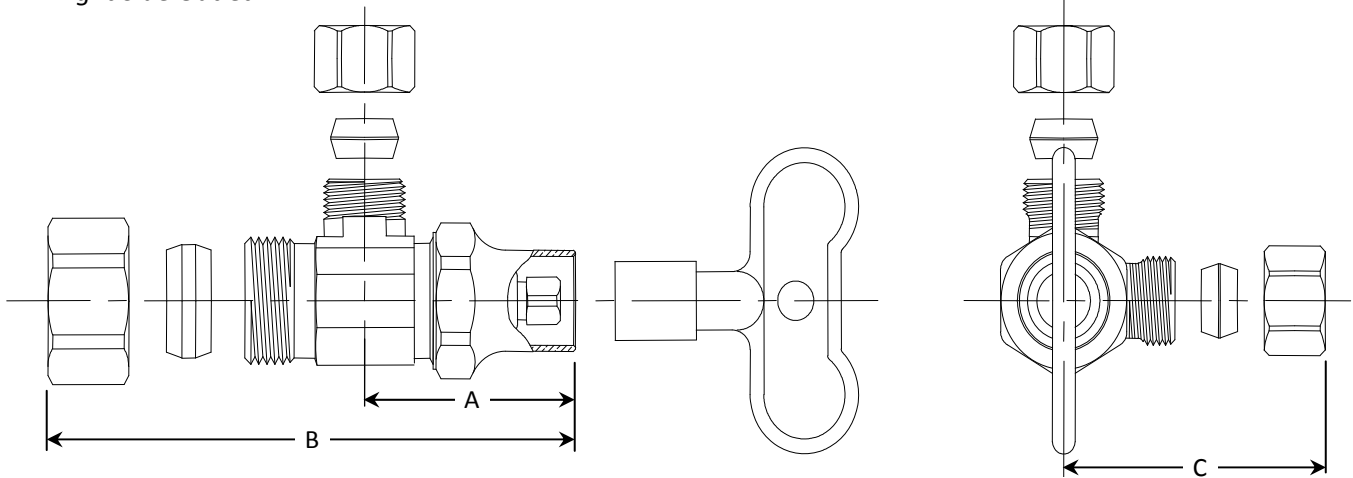
Standard Part Listing:

- SCR3903LR C1 1/2" Nom. Compression x 1/2" OD Compression x 1/2" OD Compression, chrome plated, window tray

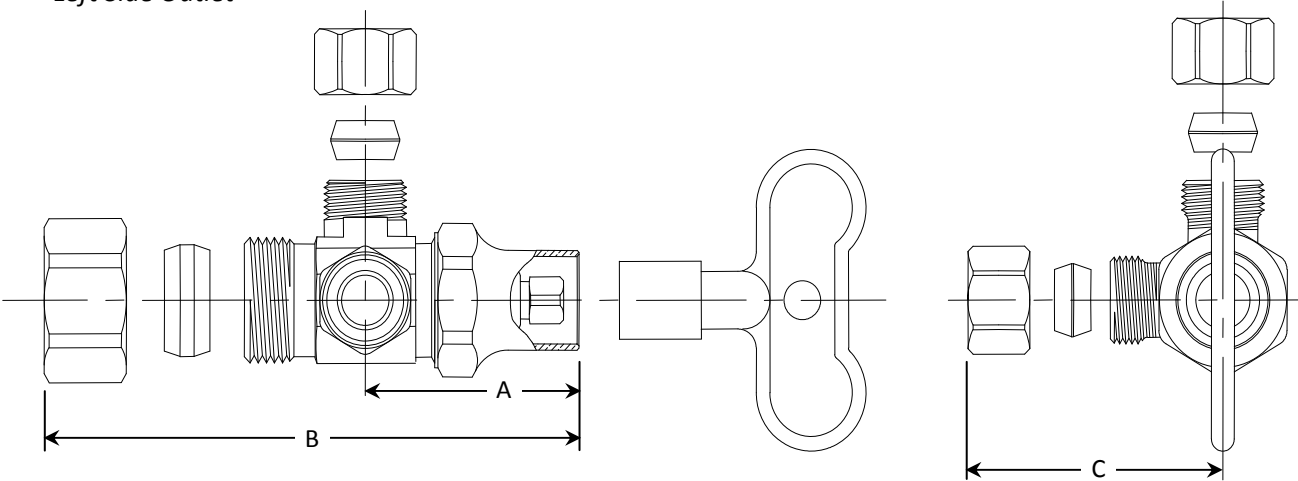
Compliant Part Listing:

- SCR1900RX C1 1/2" Nom. Compression x 3/8" OD Compression (right side) x 1/4" OD Compression, chrome plated, window tray
- SCR1901LRX C1 1/2" Nom. Compression x 3/8" OD Compression x 3/8" OD Compression, chrome plated, window tray
- SCR1901LRX R1 1/2" Nom. Compression x 3/8" OD Compression x 3/8" OD Compression, rough brass, window tray
- SCR3903LRX C1 1/2" Nom. Compression x 1/2" OD Compression x 1/2" OD Compression, chrome plated, window tray

Right Side Outlet



Left Side Outlet



This specification and all information contained herein is the confidential and exclusive property of BrassCraft Manufacturing, and shall not be disclosed to others without the written consent of BrassCraft. This specification must be returned to BrassCraft if requested.

BrassCraft®

SCR1900/ SCR1901/ SCR3901/ SCR3903 Multi-Turn Dual Outlet Stop With Loose Key – Compression Inlet

PART DIMENSIONS (Inches)			
Model	DIM. A	DIM. B	DIM. C
SCR1900R	1.46	2.66	1.06
SCR1900L	1.46	2.66	1.06
SCR1901LR	1.46	2.66	1.06

PART DIMENSIONS (Inches)			
Model	DIM. A	DIM. B	DIM. C
SCR3901L	1.46	2.66	1.14
SCR3903LR	1.46	2.66	1.14

Listings & Certifications:

- IAPMO listed to ASME A112.18.1-05 / CSA B125.1-05 (File # 0645)
- CSA listed to ASME A112.18.1-05 / CSA B125.1-05 (File # 204593)
- Compliant product CSA approved to California Health & Safety Code 116875 and Vermont Bill S.152 (Project # 2174785)



This specification and all information contained herein is the confidential and exclusive property of BrassCraft Manufacturing, and shall not be disclosed to others without the written consent of BrassCraft. This specification must be returned to BrassCraft if requested.

BrassCraft®