

## AQ2000 Series

### AQUATROL THERMOSTAT WIRING

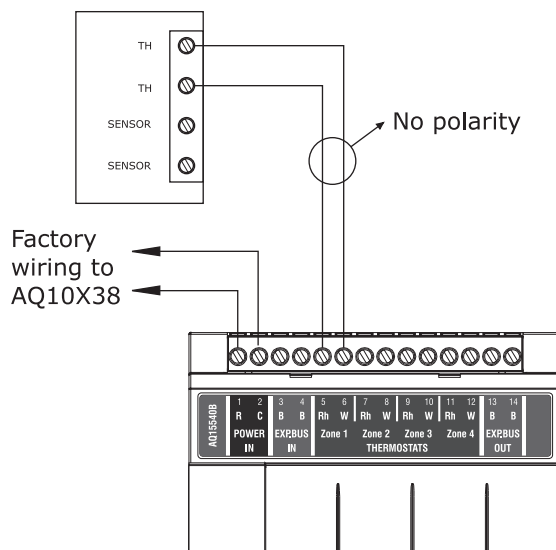
#### INSTALLATION INSTRUCTIONS

Aquatrol zoning modules are compatible with any digital thermostat. The AQ1000 digital communicating thermostats have been designed to enhance the Aquatrol system functionalities. Non-communicating dry-contact thermostats provide the needed heat signals for operation.

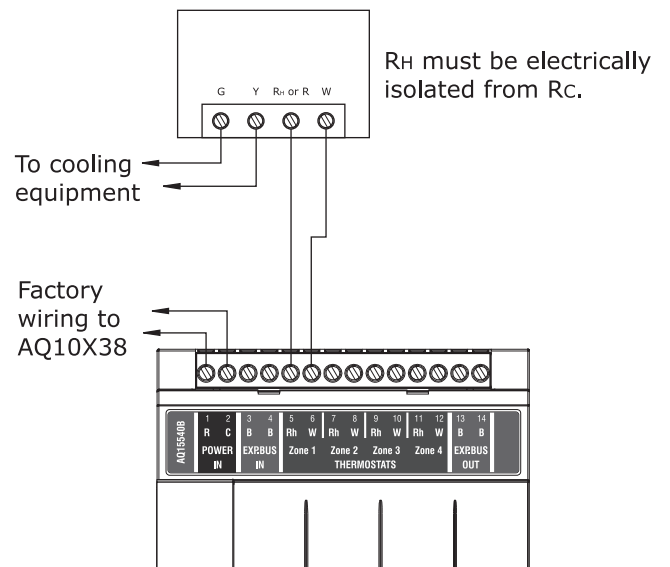
AQ1000TN2 and AQ1000TP2	Battery-powered/ Dry-contact Thermostats	24-VAC Thermostats
Connect <b>TH</b> terminals of the thermostat to <b>Rh</b> and <b>W</b> terminals of the zone module (no polarity to observe).	Connect <b>Rh</b> and <b>W</b> terminals of the thermostat to <b>Rh</b> and <b>W</b> terminals of the zone module.	<ol style="list-style-type: none"> <li>1. If any, remove jumper between <b>Rc</b> and <b>R</b> on thermostat.</li> <li>2. Connect 24 VAC from transformer to <b>C</b> and <b>Rc</b> terminals of thermostat.</li> <li>3. Connect <b>Rh</b> and <b>W</b> terminals of the thermostat to <b>Rh</b> and <b>W</b> terminals of the zone module.</li> </ol>

Aquatrol zoning modules are compatible with any digital thermostat. The AS1000 digital communicating thermostats have been designed to enhance the Aquatrol system functionalities. The AQ panels are equipped with a 38 VA transformer which leaves between 27 and 34 VA available (depending on the panel model) to power thermostats or valves. Honeywell's VisionPRO, FocusPRO and PRO thermostat lines draw less than 0.5 VA for each thermostat. Honeywell's Prestige HD thermostat draws 2.7 VA each under normal usage. If additional VA is needed for the system, use a second transformer.

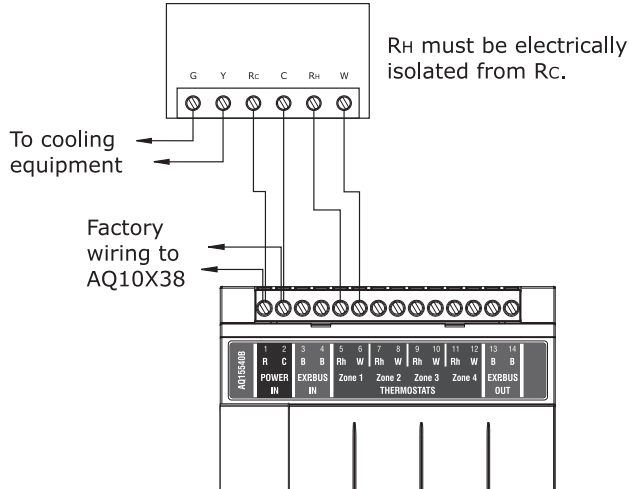
#### AQ1000 Thermostats



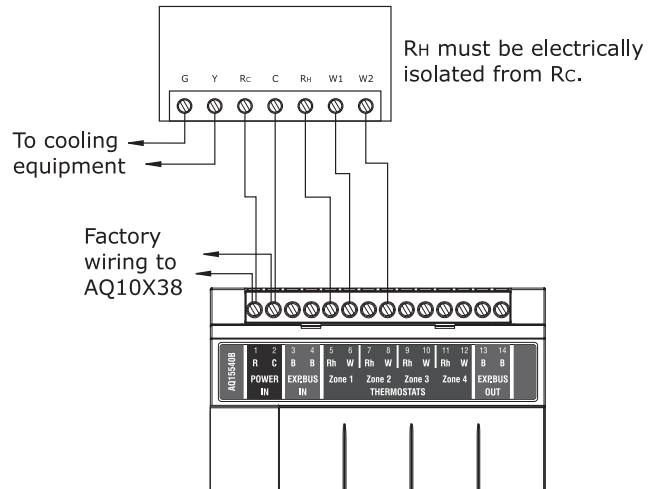
#### Battery Powered 1H/1C Thermostat



24VAC Powered 1H/1C Thermostat



24VAC Powered 2-Stage 2H/1C Thermostat



**Automation and Control Solutions**

Honeywell International Inc.  
 1985 Douglas Drive North  
 Golden Valley, MN 55422

Honeywell Limited-Honeywell Limitée  
 35 Dynamic Drive  
 Toronto, Ontario M1V 4Z9  
 customer.honeywell.com

