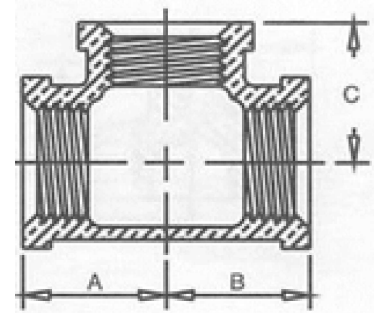


DIMENSIONAL SPECIFICATIONS

LEAD-FREE DOMESTIC BRASS FITTINGS* 125 LB.

REDUCING TEE

Part #	Size (IN.)	Approx. Net WT. (LB.)	A	B	C
NL106-060604	3/8 X 3/8 X 1/4	0.17	0.75	0.75	0.78
NL106-060608	3/8 X 3/8 X 1/2	0.24	0.90	0.90	0.93
NL106-080408	1/2 X 1/4 X 1/2	0.27	0.93	0.87	0.93
NL106-080606	1/2 X 3/8 X 3/8	0.25	0.93	0.82	0.90
NL106-080608	1/2 X 3/8 X 1/2	0.25	1.01	0.90	1.01
NL106-080806	1/2 X 1/2 X 3/8	0.25	0.93	0.93	0.90
NL106-080812	1/2 X 1/2 X 3/4	0.38	1.11	1.11	1.08
NL106-120808	3/4 X 1/2 X 1/2	0.42	1.08	1.01	1.11
NL106-120812	3/4 X 1/2 X 3/4	0.42	1.18	1.11	1.18
NL106-121204	3/4 X 3/4 X 1/4	0.35	1.00	1.00	1.00
NL106-121208	3/4 X 3/4 X 1/2	0.40	1.08	1.08	1.11
NL106-121216	3/4 X 3/4 X 1	0.60	1.31	1.31	1.30
NL106-160816	1 X 1/2 X 1	0.61	1.43	1.24	1.43
NL106-161208	1 X 3/4 X 1/2	0.46	1.20	1.08	1.24
NL106-161212	1 X 3/4 X 3/4	0.58	1.30	1.08	1.31
NL106-161216	1 X 3/4 X 1	0.71	1.43	1.31	1.43
NL106-161606	1 X 1 X 3/8	0.56	1.12	1.12	1.13
NL106-161608	1 X 1 X 1/2	0.63	1.20	1.20	1.24
NL106-161612	1 X 1 X 3/4	0.72	1.30	1.30	1.31
NL106-202008	1-1/4 X 1-1/4 X 1/2	0.92	1.29	1.29	1.41
NL106-202012	1-1/4 X 1-1/4 X 3/4	0.91	1.39	1.39	1.48
NL106-202016	1-1/4 X 1-1/4 X 1	1.10	1.52	1.52	1.60



*Conforms with lead content requirements for lead-free plumbing as defined by the U.S. Safe Drinking Water Act. Certified <0.25 weighted average % lead.



MERIT BRASS

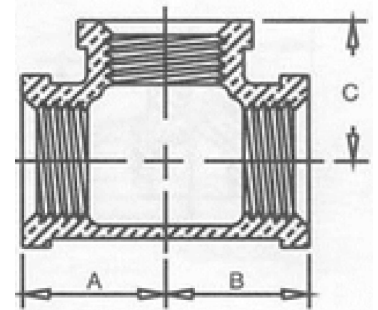
DIRECTING THE FLOW OF *Quality*

DIMENSIONAL SPECIFICATIONS

LEAD-FREE DOMESTIC BRASS FITTINGS* 125 LB.

REDUCING TEE CONTINUED

Part #	Size (IN.)	Approx. Net WT. (LB.)	A	B	C
NL106-202024	1-1/4 X 1-1/4 X 1-1/2	1.74	1.81	1.81	1.72
NL106-240824	1-1/2 X 1/2 X 1-1/2	1.51	1.81	1.56	1.81
NL106-241224	1-1/2 X 3/4 X 1-1/2	1.35	1.84	1.60	1.84
NL106-241616	1-1/2 X 1 X 1	1.10	1.63	1.50	1.81
NL106-241624	1-1/2 X 1 X 1-1/2	1.47	1.88	1.81	1.88
NL106-242408	1-1/2 X 1-1/2 X 1/2	1.17	1.32	1.32	1.53
NL106-242412	1-1/2 X 1-1/2 X 3/4	1.14	1.42	1.42	1.60
NL106-242416	1-1/2 X 1-1/2 X 1	1.35	1.55	1.55	1.72
NL106-242420	1-1/2 X 1-1/2 X 1-1/4	1.45	1.72	1.72	1.81
NL106-242432	1-1/2 X 1-1/2 X 2	2.15	2.07	2.07	1.89
NL106-321232	2 X 3/4 X 2	2.56	2.13	1.84	2.13
NL106-322420	2 X 1-1/2 X 1-1/4	1.79	1.78	1.72	2.03
NL106-323208	2 X 2 X 1/2	1.67	1.50	1.50	1.88
NL106-323212	2 X 2 X 3/4	1.70	1.47	1.47	1.84
NL106-323216	2 X 2 X 1	1.83	1.59	1.59	1.95
NL106-323220	2 X 2 X 1-1/4	2.07	1.77	1.77	2.04
NL106-323224	2 X 2 X 1-1/2	2.18	1.89	1.89	2.07
NL106-403240	2-1/2 X 2 X 2-1/2	4.18	2.69	2.63	2.69
NL106-404016	2-1/2 X 2-1/2 X 1	2.98	1.88	1.88	2.38
NL106-404032	2-1/2 X 2-1/2 X 2	3.91	2.39	2.39	2.60
NL106-484832	3 X 3 X 2	5.61	2.52	2.52	2.89



*Conforms with lead content requirements for lead-free plumbing as defined by the U.S. Safe Drinking Water Act. Certified <0.25 weighted average % lead.



MERIT BRASS

DIRECTING THE FLOW OF *Quality*