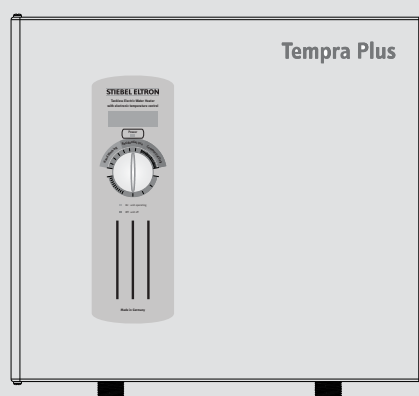
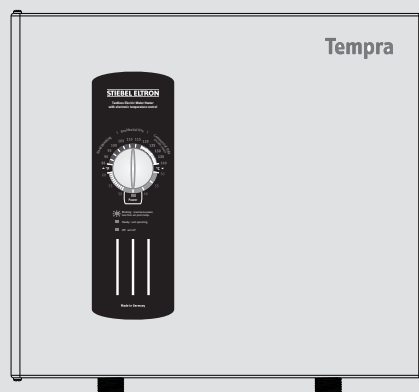


OPERATION AND INSTALLATION OPERACIÓN E INSTALACIÓN UTILISATION ET INSTALLATION

TANKLESS ELECTRIC WATER HEATERS | CALENTADORES DE AGUA SIN TANQUE | CHAUFFE-EAU INSTANTANÉS ÉLECTRIQUES

- » TEMPRA® 12 B
- » TEMPRA® 15 B
- » TEMPRA® 20 B
- » TEMPRA® 24 B
- » TEMPRA® 29 B
- » TEMPRA® 36 B
- » TEMPRA® 12 PLUS
- » TEMPRA® 15 PLUS
- » TEMPRA® 20 PLUS
- » TEMPRA® 24 PLUS
- » TEMPRA® 29 PLUS
- » TEMPRA® 36 PLUS



Conforms to ANSI/UL Std. 499
Certified to CAN/CSA Std. E335-1 & E335-2-35
Conforme a ANSI/UL Std. 499
Certificación con CAN/CSA Std. E335-1 & E335-2-35
Conforme à la norme ANSI/UL Std. 499
Certifié à la norme CAN/CSA Std. E335-1 & E335-2-35



Tested and certified by WQA to NSF/ANSI 372 for lead free compliance.
Probado y certificado por WQA NSF/ANSI 372 para el cumplimiento de las regulaciones sin plomo.
Testé et certifié par WQA à la NSF/ANSI 372 pour une utilisation sans plomb.

STIEBEL ELTRON

OPERATION

1. **General Information** _____ 2

2. **Safety** _____ 2

2.1 Intended use _____ 2

2.2 General Information _____ 2

2.3 Safety Precautions _____ 3

2.4 Test symbols _____ 3

3. **Register your product** _____ 3

4. **General** _____ 3

4.1 General appearance _____ 4

4.2 Tempra B units: _____ 4

INSTALLATION

5. **Installation configuration** _____ 5

6. **Mounting the unit** _____ 5

7. **Water connections** _____ 6

8. **Electrical connection** _____ 6

8.1 Circuit Layout _____ 6

8.2 Circuit Connection _____ 7

8.3 Terminal block _____ 8

9. **Initial settings** _____ 8

10. **Commissioning the water heater** _____ 8

11. **Normal maintenance** _____ 8

12. **Troubleshooting** _____ 9

13. **Technical Data** _____ 9

13.1 Tempra B _____ 9

13.2 Tempra Plus _____ 10

13.3 Temperature increase above ambient water temperature _____ 11

13.4 Dimensions _____ 12

13.5 Wiring Diagrams _____ 13

14. **Spare parts** _____ 14

15. **Warranty** _____ 16

OPERATION

1. General Information

Read this entire manual. Failure to follow all the guides, instructions and rules could cause personal injury or property damage. Improper installation, adjustment, alteration, service and use of this unit can result in serious injury.

This unit must be installed by a licensed electrician and plumber. The installation must comply with all national, state and local plumbing and electric codes. Proper installation is the responsibility of the installer. Failure to comply with the installation and operating instructions or improper use voids the warranty.

Save these instructions for future reference. Installer should leave these instructions with the consumer.

If you have any questions regarding the installation, use or operation of this water heater, or if you need any additional installation manuals, please call our technical service line at 800-582-8423 (USA and Canada only). If you are calling from outside the USA or Canada, please call USA 413-247-3380 and we will refer you to a qualified Stiebel Eltron service representative in your area.



This is the safety alert symbol. It is used to alert you to potential personal injury hazard. Obey all safety messages that follow this symbol to avoid possible injury or death.

2. Safety

Observe the following safety information and regulations.

Operate the appliance only when fully installed and with all safety equipment fitted.

2.1 Intended use

The appliance is intended for heating domestic hot water and can supply several draw-off points.

Any other use beyond that described shall be deemed inappropriate.

Observation of these instructions is also part of the correct use of this appliance.

2.2 General Information

Read this entire manual. Failure to follow all the guides, instructions and rules could cause personal injury or property damage. Improper installation, adjustment, alteration, service and use of this appliance can result in serious injury.

This appliance must be installed by a licensed electrician and plumber. The installation must comply with all national, state and local plumbing and electric codes. Proper installation is the responsibility of the installer. Failure to comply with the installation and operating instructions or improper use voids the warranty.

Save these instructions for future reference. Installer should leave these instructions with the consumer.

OPERATION

REGISTER YOUR PRODUCT

If you have any questions regarding the installation, use or operation of this water heater, or if you need any additional installation manuals, please call our technical service line at (800)-582-8423.

2.3 Safety Precautions



DANGER: Injury
Please read and follow these instructions. Failure to follow these instructions could result in serious personal injury or death.



Damage to the appliance and the environment
The appliance must be installed by a licensed electrician and plumber. The installation must comply with all national, state and local plumbing and electric codes. Service of the appliance must be performed by qualified service TECHNICIANS.



DANGER: Electrocution
Before proceeding with any installation, adjustment. Alteration, or service of this appliance all circuit breakers and disconnect switches servicing the appliance must be turned off. Failure to do so could result in serious personal injury or death.



DANGER: Electrocution
Never remove the appliance's cover unless the electricity servicing the appliance is turned off. Failure to do so could result in personal injury or death.



DANGER: Electrocution
The appliance must be properly grounded. Failure to electrically ground the product could result in serious personal injury or death.



DANGER: Burns
Water temperatures over 125 °F (52 °C) can cause severe burns instantly or death from scalding. A hot water scalding potential exists if the thermostat on the appliance is set too high. Households with small children, disabled or elderly persons may require that the thermostat be set at 113 °F (45 °C) or lower to prevent possible injury from hot water.



WARNING: Injury
where children or persons with limited physical, sensory or mental capabilities are to be allowed to control this appliance, ensure that this will only happen under supervision or after appropriate instructions by a person responsible for their safety. Children should be supervised to ensure that they never play with the appliance.

2.4 Test symbols

See the type label on the appliance.

3. Register your product



You must register this product within 90 days of purchase on our web site in order to activate the standard warranty or to be eligible for the extended warranty. Go to our web site at www.stiebel-eltron-usa.com and click on register your product.

Before beginning the registration process, we suggest that you gather the necessary information which will be as follows:

Type, Example: Tempra 24 Plus (from the label that is on the unit)

Number listed after "Nr."

Place of Purchase

Purchase Date

First & Last Name

Email address

Physical Address

Phone Number

Installation Date

IF YOU HAVE ANY QUESTIONS CONCERNING THE REGISTRATION PROCESS OR WARRANTY OPTIONS, PLEASE CONTACT STIEBEL ELTRON USA DIRECTLY AT (800)-582-8423.

4. General



DANGER: Burns
Water temperatures over 125 °F (52 °C) can cause severe burns instantly or death from scalding. A hot water scalding potential exists if the thermostat on the appliance is set too high. Households with small children, disabled or elderly persons may require that the thermostat be set at 113 °F (45 °C) or lower to prevent possible injury from hot water.

The Tempra B and Tempra Plus units are designed to supply hot water for a house, apartment or certain commercial applications. Unlike a conventional storage type water heater the Tempra tankless water heater does not store hot water. Instead, water is heated instantaneously as it flows through the unit. The Tempra offers greater energy efficiency than storage type water heaters due to the absence of stand-by losses and reduced hot water pipe runs.

The input of heat into the water is controlled electronically. The Tempra will deliver any water temperature between 86 °F (30 °C) and 140 °F (60 °C). Please set the desired temperature using the knob on the front cover. The Tempra Plus Temperature adjustment knob can be set to: OFF, 86...140 °F (30...60 °C).

The Tempra B has a °F and a °C scale. The output temperature of the Tempra Plus is shown in the digital display in °F or °C units. (°F or °C units can be selected during installation, factory setting: °F). The maximum temperature is electronically limited to 140 °F (60 °C).

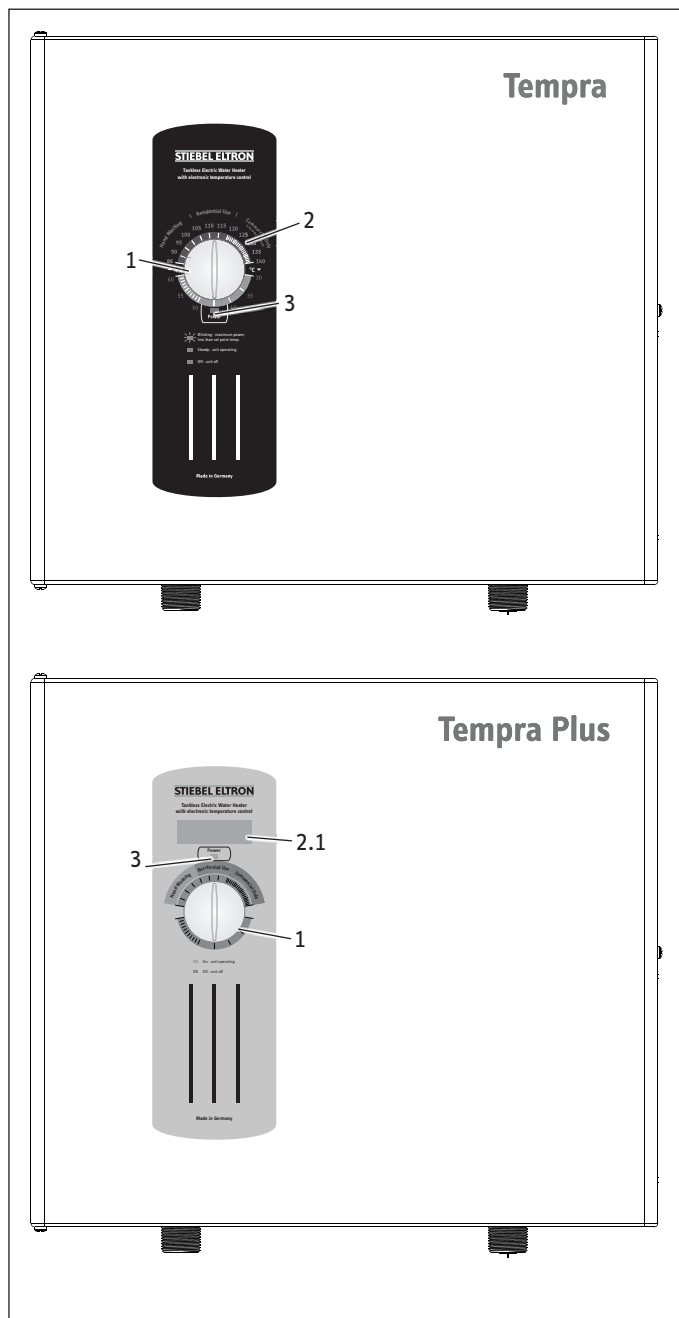
OPERATION

GENERAL

For reasons of appliance efficiency and durability (scaling), the optimum temperature setting lies between 86 °F (30 °C) and 120 °F (50 °C).

The outlet temperature of the **Tempra Plus** can be limited (see "Initial settings").

4.1 General appearance



- 1 Temperature adjustment knob
- 2 Temperature scale
- 2.1 Temperature display
- 3 "Power" light

4.2 Tempra B units:

In case the "Power" LED is flashing while the unit operates, the water flow rate exceeds the heating capacity of the unit. Reduce the hot water flow rate in order to let the unit achieve the set point temperature.



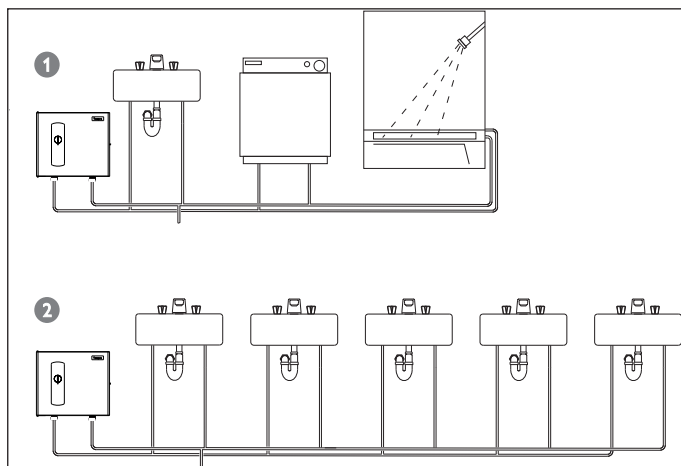
In case you have questions regarding the way you plan to use the Tempra unit, please call our technical service line at 800-582-8423 (USA and Canada). For service outside the U.S. and Canada, please call us at 413-247-3380. You can also e-mail us at info@stiebel-eltron-usa.com or fax us at 413-247-3369.

INSTALLATION

5. Installation configuration

The Tempra can be used for the following applications.

- 1 Typical residential installation
- 2 Typical commercial installation



6. Mounting the unit



NOTICE: Unit must be installed in a vertical position with the water fittings pointing downward.

WARNING: Do not install unit where it would routinely be splashed with water. Electric shock may result.

CAUTION: Hot water outlet pipes leaving unit can be hot to the touch. Insulation must be used for hot water pipes below 36" due to burn risk to children.



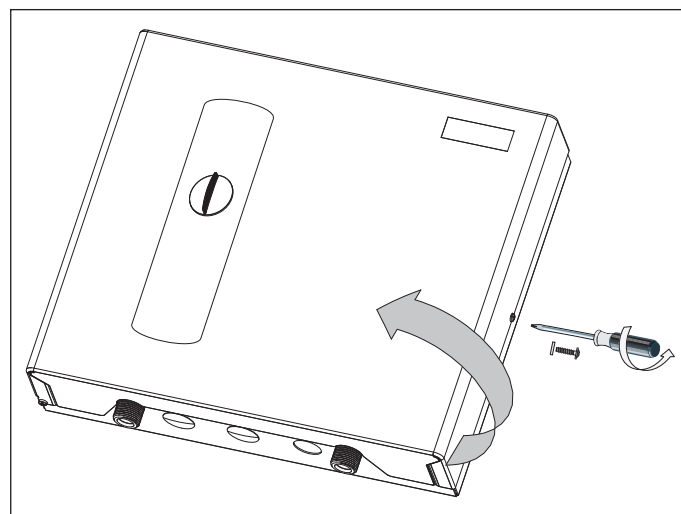
NOTICE: This unit should not be installed in a location where it may be exposed to freezing temperatures (less than 36 °F). If the unit may be subject to freezing temperatures all water must be drained from the unit. Failure to comply with this instruction voids all warranties.

The unit should be located in an area where water leakage from the unit or connections will not result in damage to the area adjacent to the unit. If such a location cannot be avoided it is recommended that a drain pan be installed under the unit.

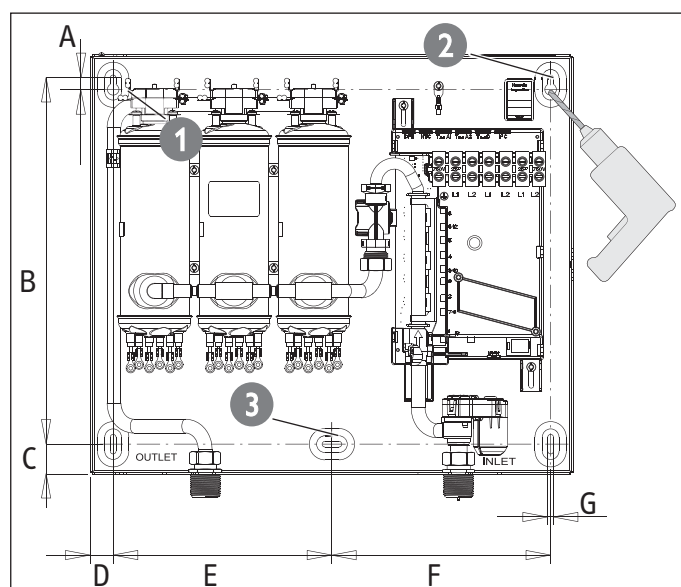
CAUTION: Hot water outlet pipes leaving unit can be hot to the touch. Insulation must be used for hot water pipes below 36" due to burn risk to children.

Install Tempra as close as possible to the main hot water draw-off points.

1. Install Tempra in a frost free area. If frost might occur, remove unit before freezing temperatures set in.
2. Leave a minimum of 5" of clearance on all sides for servicing.
3. Remove the cover screw with a #2 Pozidrive screwdriver and open the cover.



4. Mount unit securely to wall by putting at least three screws through mounting holes 1 2 3. Screws and plastic wall anchors for mounting on masonry or wood are provided.



Dimensions

A	$\frac{3}{8}$ " / 10 mm
B	$12\frac{1}{2}$ " / 318 mm
C	1" / 26 mm
D	$\frac{3}{4}$ " / 19.5 mm
E	$7\frac{1}{2}$ " / 190 mm
F	$7\frac{1}{2}$ " / 190 mm
G	$\frac{3}{16}$ " / 5 mm

INSTALLATION

WATER CONNECTIONS

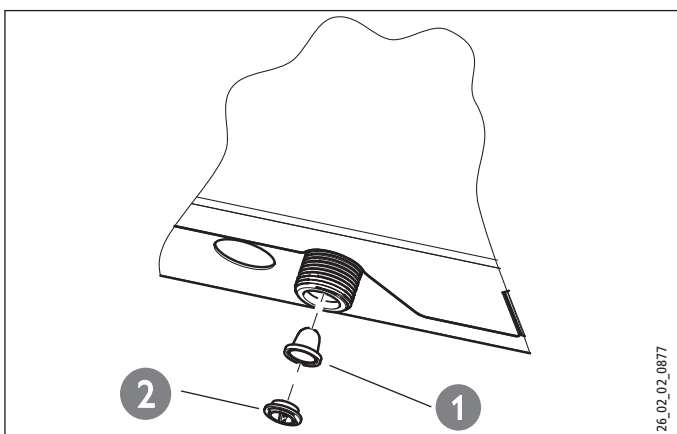
7. Water connections

NOTICE: Excessive heat from soldering on copper pipes near the tempra may cause damage.

The cold water connection to the unit must be disconnected periodically in order to clean the filter screen. It is required to use water connections that are easily detachable such as braided steel flex connectors.

NOTICE: Hard water or water with a high mineral count may damage the unit. Damage to the unit caused by scale or a high mineral count is not covered under the warranty.

- All plumbing work must comply with national and applicable state and local plumbing codes.
- A pressure reducing valve must be installed if the cold water supply pressure exceeds 150 PSI (10 bar).
- Make certain that the cold water supply line has been flushed to remove any scale and dirt.
- The Tempra unit has a built in filter screen ① that should be cleaned from time to time. Clean screen and put the screen and the washer ② back into their original position.



- The cold water connection (inlet) is on the right side of the unit, and the hot water connection (outlet) is on the left side of the unit.

NOTICE: Tankless water heaters such as the TEMpra are not required to be equipped with a pressure and temperature relief valve (P&T). If the local inspector will not pass the installation without a P&T, it should be installed on the hot water outlet side of the unit.

- The Tempra on the hot side is designed for connection to copper tubing, PEX tubing or a braided stainless steel hose with a 3/4" NPT female tapered thread. The plumbing on the cold water inlet side needs to be such that it can easily be removed to allow access to the inlet filter screen. The easiest way to achieve this is to use a stainless steel braided hose connector. If soldering near the unit is necessary, please direct the flame away from the housing of the unit in order to avoid damage.
- When all plumbing work is completed, check for leaks and take corrective action before proceeding.

8. Electrical connection

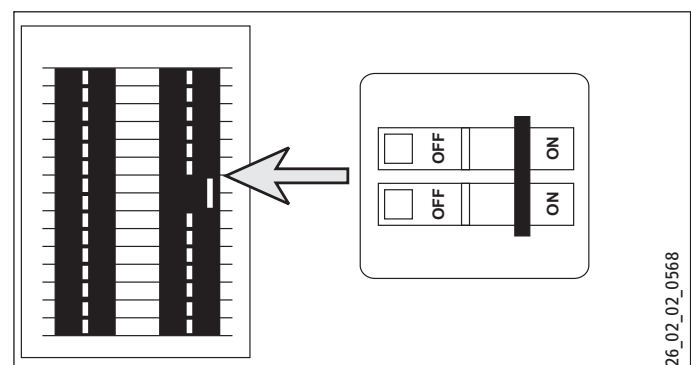
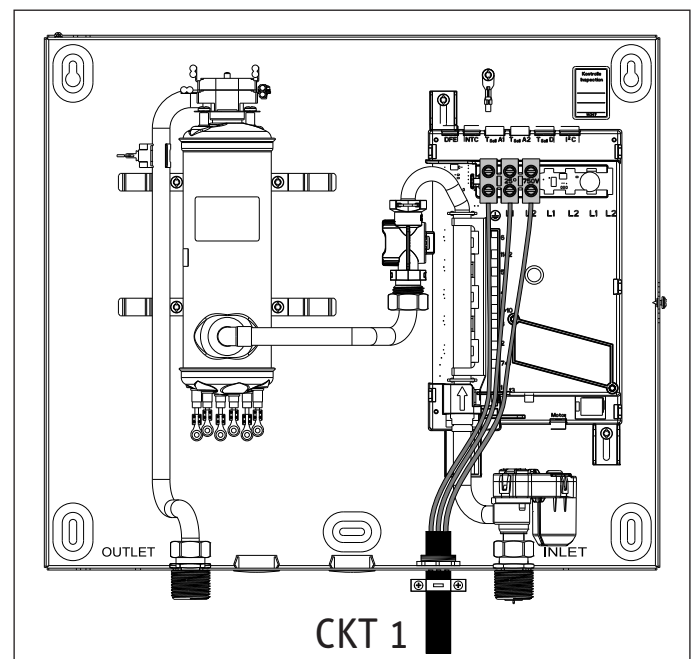
WARNING: Before beginning any work on the electric installation, be sure that main breaker panel switches are "off" to avoid any danger of electric shock. All mounting and plumbing must be completed before proceeding with electrical hook-up. Where required by local, state or national electrical codes the circuits should be equipped with a "ground fault interrupter".

The unit must be properly grounded in accordance with state and local codes, or in absence of such codes, in accordance with national electric code or the Canadian electric code. Failure to electrically ground the product could result in serious personal injury or death.

The Tempra should be connected to properly grounded dedicated branch circuits of proper voltage rating. Ground must be brought to the "Ground" at the circuit breaker panel.

8.1 Circuit Layout

8.1.1 Tempra 12 B / Tempra 12 Plus

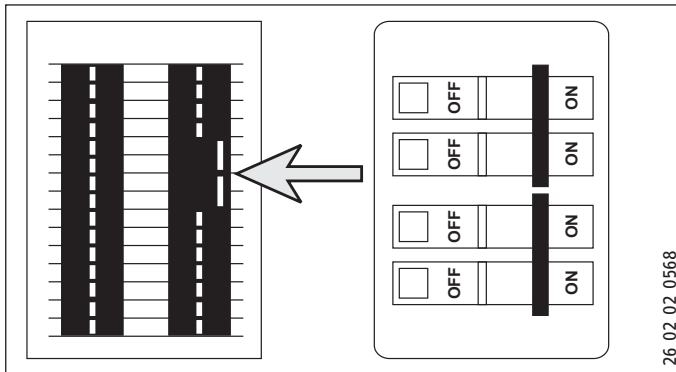
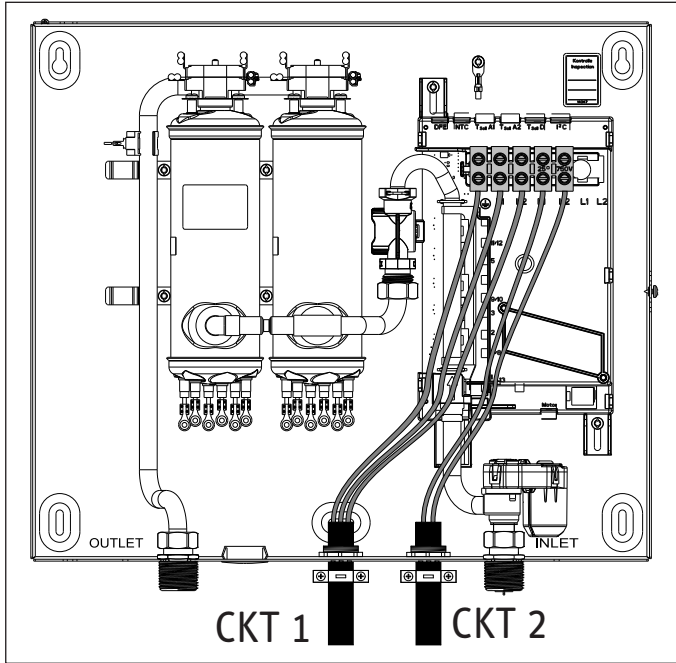


Tempra 12 B/Plus: These units can be connected to a single circuit. Use a supply cable protected by a double pole breaker.

INSTALLATION

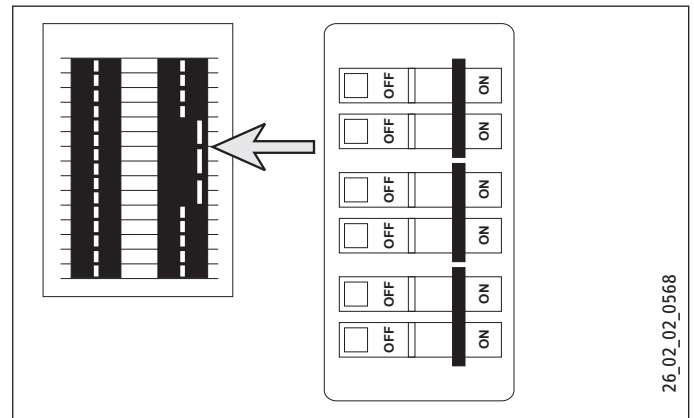
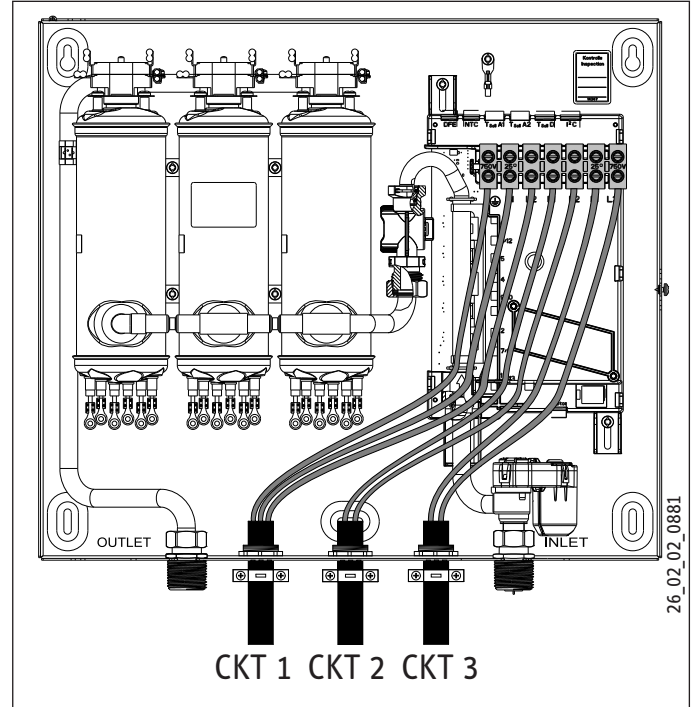
ELECTRICAL CONNECTION

8.1.2 Tempra 15, 20, 24 B / Tempra 15, 20, 24 Plus



Tempra 15, 20 or 24 B/Plus: These units require two independent circuits. Use two supply cables protected by two separate double pole breakers.

8.1.3 Tempra 29, 36 B / Tempra 29, 36 Plus

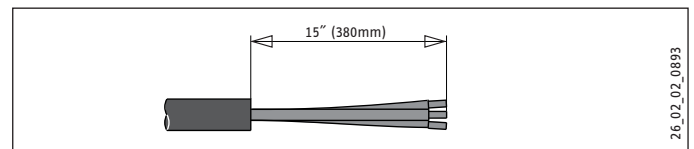


Tempra 29 or 36 B/Plus These units require three independent circuits. Use three supply cables protected by three separate double pole breakers.

8.2 Circuit Connection

Please refer to the technical data table for the correct wire and circuit breaker size. In all cases, make sure that the unit is properly grounded.

1. Cut the electrical connection cable to length and strip.



The wire must be fed through the knock-outs located between the hot and cold water connections (See 8.1, "Circuit Layout", pg. 6). The "live" wires must be connected to the slots on the terminal block marked L1 and L2. The ground wire must be connected to slot marked with the ground symbol (See 13.5, "Wiring Diagrams", pg. 13).

INSTALLATION

INITIAL SETTINGS

8.3 Terminal block

We recommend using stranded wire to connect to the terminal block. Crimp a ferrule over stranded bare wire to ensure a good connection.

Consult the chart below for the recommended torque amounts on the terminal block screws.

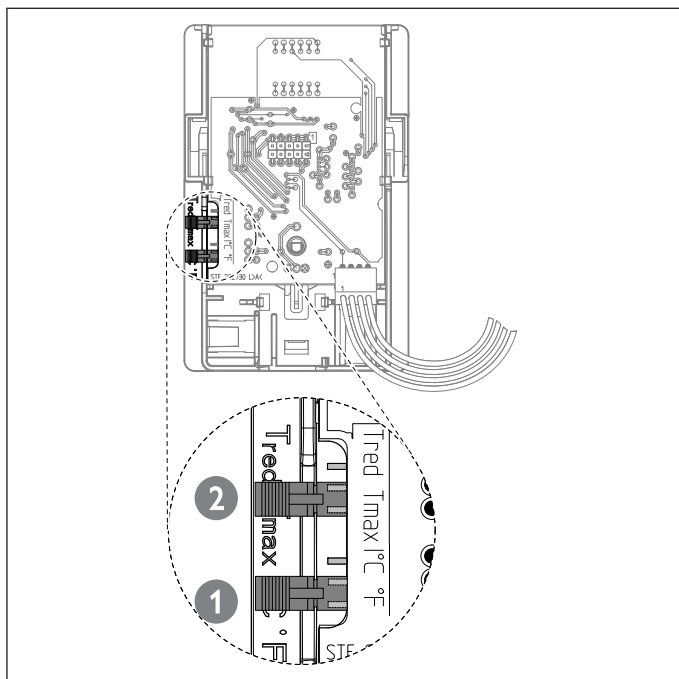
Screw Diameter (mm)	Torque (N•cm)	Torque (Lbf•in)
2.8	30-40	2.65-3.54
2.8-3	35-50	3.09-4.42
3-3.2	50-60	4.42-5.31
3.2-3.6	60-80	5.31-7.08
3.6-4.1	90-120	7.96-10.62
4.1-4.7	120-180	10.62-15.93
4.7-5.3	150-200	13.27-17.7

Using the proper torque specifications to secure wire to the wiring block helps to avoid personal loss or property damage.

See 13, "Technical Data", pg. 9 for information on the proper wire gauge size.

9. Initial settings

Check whether the set value transducer cable is plugged into the slot T_{soil} **A1** (Tempra B) or T_{soil} **D** (Tempra Plus) on the main PCB.



- ① Selection of °F or °C units
- Set jumper on the dial-printed circuit board to °F or °C.
- ② **Activate anti-scalding protection function**

On the Tempra Plus, an anti-scalding protection function can be activated by two different methods.

1. Limit the outlet temperature to the fixed temperature of 109 °F (43 °C).
- Insert the coding plug into position Tred (reduced temperature).

2. Select a specific outlet temperature

- Switch the appliance 'live'.
- Open the casing so that coding plug T_{max} / T_{red} becomes accessible.
- Set the temperature selector to "OFF". The coding plug must be set to T_{max} (standard delivery).
- Set coding plug to T_{red} ; the setting mode will be activated and the flashing display shows the current temperature limit.
- Within the next 30 seconds, you can select the required temperature (display continues to flash). The setting mode will terminate after 30 seconds; the programming unit will display "OFF" again.

10. Commissioning the water heater



WARNING: Open hot water faucet for a few minutes until water flow is continuous and all air is purged from water pipes. The unit's cover must be installed before the circuit breakers are turned on.

1. Close the cover and fix it using the screw with the lock washer.
2. Turn on circuit breakers to bring electrical power to the unit.
3. Turn the temperature selector clockwise and anti-clockwise, to calibrate the set value transducer.
4. Adjust the water temperature to the desired level using the knob on the front cover of the unit.
5. Turn on hot water and wait twenty seconds until temperature has stabilized.
6. Check the water temperature with your hand and make sure that it does not feel too hot. Reduce if necessary.
7. Explain to the user how the unit works and familiarize him or her with its use.
Advise the user about possible hazards (hot water temperature up to 140 °F / 60 °C). Hand over these instructions, to be kept for future reference.

11. Normal maintenance



NOTICE: The Tempra does not contain any parts serviceable by the average user. In case of malfunction please contact a licensed plumber or electrician.

Stiebel Eltron Tempra tankless water heaters are designed for a very long service life. Actual life expectancy will vary with water quality and use. The unit itself does not require any regular maintenance. However, to ensure consistent water flow, it is recommended to periodically remove scale and dirt that may build up at the aerator of the faucet(s), the filter screen in the unit, or in the shower head.

12. Troubleshooting

Symptom	Possible cause	Solution
No hot water	- circuit breakers off - safety thermal cut-out tripped - not enough flow rate to activate unit	- turn circuit breakers on - reset safety thermal cut-out - clean filter screen at unit - clean faucet aerator or shower head
Not enough hot water	- filter screen clogged	- clean filter screen at unit
Water not hot enough	- water flow rate too high - voltage too low	- reduce water flow rate until power light on front cover stops blinking - supply correct voltage to unit

If you are not able to resolve a problem please contact us toll free at 800-582-8423 before removing the unit from the wall. Stiebel Eltron is happy to provide technical assistance. In most instances, we can resolve the problem over the phone.

13. Technical Data

13.1 Tempra B

	Tempra 12 B	Tempra 15 B	Tempra 20 B	Tempra 24 B ³	Tempra 29 B ⁴	Tempra 36 B ⁵
Part number	223420	223421	223422	223424	232885	232886
Electrical details						
Phase	single 50/60 Hz	single ⁶ 50/60 Hz	single ⁶ 50/60 Hz	single ⁶ 50/60 Hz	single ⁶ 50/60 Hz	single ⁶ 50/60 Hz
Voltage	240 V 208 V	240 V 208 V	240 V 208 V	240 V 208 V	240 V 208 V	240 V 208 V
Wattage	12 kW 9 kW	14.4 kW 10.8 kW	19.2 kW 14.4 kW	24 kW 18 kW	28.8 kW 21.6 kW	36 kW 27 kW
Max. amp. load	1 x 50 A 1 x 44 A	2 x 30 A 2 x 26 A	2 x 40 A 2 x 35 A	2 x 50 A 2 x 44 A	3 x 40 A 3 x 35 A	3 x 50 A 3 x 44 A
Number & min. recommended size of circuit breakers ¹ (DP)	1 x 50 A	2 x 30 A	2 x 40 A 2 x 35 A	2 x 50 A	3 x 40 A 3 x 35 A	3 x 50 A
Power connection	1/N/GRD	2/GRD	2/GRD	2/GRD	3/GRD	3/GRD
Min. recommended wire size (copper) ²	1 x 6/2 AWG	2 x 10/2 AWG	2 x 8/2 AWG	2 x 6/2 AWG	3 x 8/2 AWG	3 x 6/2 AWG
Connections						
Water connection	3/4" NPT					
Max. cold water temperature	108°F / 42°C					
Hydraulic data						
Rated capacity	0.13 gal / 0.5 l	0.26 gal / 1.0 l	0.26 gal / 1.0 l	0.26 gal / 1.0 l	0.39 gal / 1.5 l	0.39 gal / 1.5 l
Values						
ON	1.4 l/min	1.9 l/min	1.9 l/min	1.9 l/min	2.9 l/min	2.9 l/min
ON	0.37 GPM	0.5 GPM	0.5 GPM	0.5 GPM	0.77 GPM	0.77 GPM
Max. permissible inlet temperature	131°F / 55°C					
Application limits						
Max. permissible pressure	150 PSI / 1.0 MPa					
Test pressure	300 PSI / 2.0 MPa					
Versions						
Temperature display	digital					
Cap and back panel	sheet steel					
Colour	grey					
Dimensions						
Height	14.52 in / 369 mm					
Width	16.54 in / 420 mm					
Depth	4.61 in / 117 mm					
Weights						
Weight	13.5 lbs / 6.1 kg	16.1 lbs / 7.3 kg	16.1 lbs / 7.3 kg	16.1 lbs / 7.3 kg	19 lbs / 8.6 kg	19 lbs / 8.6 kg

¹ This is our recommendation for overcurrent protection sized at 100% of load. Check local codes for compliance if necessary.

² Copper must be used. Conductors should be sized to maintain a voltage drop of less than 3% under load.

³ Requires a 150 A main service.

⁴ Requires a 200 A main service.

⁵ Requires a 300 A main service.

⁶ 29 B/29 Plus & 36 B/36 Plus may be wired for balanced 3-phase 208 V. 15 B/15 Plus, 20 B/20 Plus, 24 B/24 Plus may be wired for unbalanced 3-phase 208 V.

INSTALLATION TECHNICAL DATA

13.2 Tempra Plus

	Tempra 12 Plus	Tempra 15 Plus	Tempra 20 Plus	Tempra 24 Plus ³	Tempra 29 Plus ⁴	Tempra 36 Plus ⁵
Part number	224196	224197	224198	224199	223425	223426
Electrical details						
Phase	single 50/60 Hz	single ⁶ 50/60 Hz	single ⁶ 50/60 Hz	single ⁶ 50/60 Hz	single ⁶ 50/60 Hz	single ⁶ 50/60 Hz
Voltage	240 V 208 V	240 V 208 V	240 V 208 V	240 V 208 V	240 V 208 V	240 V 208 V
Wattage	12 kW 9 kW	14.4 kW 10.8 kW	19.2 kW 14.4 kW	24 kW 18 kW	28.8 kW 21.6 kW	36 kW 27 kW
Max. amp. load	1 x 50 A 1 x 44 A	2 x 30 A 2 x 26 A	2 x 40 A 2 x 35 A	2 x 50 A 2 x 44 A	3 x 40 A 3 x 35 A	3 x 50 A 3 x 44 A
Number & min. recommended size of circuit breakers ¹ (DP)	1 x 50 A	2 x 30 A	2 x 40 A 2 x 35 A	2 x 50 A	3 x 40 A 3 x 35 A	3 x 50 A
Power connection	1/N/GRD	2/GRD	2/GRD	2/GRD	3/GRD	3/GRD
Min. recommended wire size (copper) ²	1 x 6/2 AWG	2 x 10/2 AWG	2 x 8/2 AWG	2 x 6/2 AWG	3 x 8/2 AWG	3 x 6/2 AWG
Connections						
Water connection	3/4" NPT					
Max. cold water temperature	108°F / 42°C					
Hydraulic data						
Rated capacity	0.13 gal / 0.5 l	0.26 gal / 1.0 l	0.26 gal / 1.0 l	0.26 gal / 1.0 l	0.39 gal / 1.5 l	0.39 gal / 1.5 l
Values						
ON	1.4 l/min	1.9 l/min	1.9 l/min	1.9 l/min	2.9 l/min	2.9 l/min
ON	0.37 GPM	0.5 GPM	0.5 GPM	0.5 GPM	0.77 GPM	0.77 GPM
Max. permissible inlet temperature	131°F / 55°C					
Application limits						
Max. permissible pressure	150 PSI / 1.0 MPa					
Test pressure	300 PSI / 2.0 MPa					
Versions						
Temperature display	digital					
Cap and back panel	sheet steel					
Colour	grey					
Dimensions						
Height	14.52 in / 369 mm					
Width	16.54 in / 420 mm					
Depth	4.61 in / 117 mm					
Weights						
Weight	13.5 lbs / 6.1 kg	16.1 lbs / 7.3 kg	16.1 lbs / 7.3 kg	16.1 lbs / 7.3 kg	19 lbs / 8.6 kg	19 lbs / 8.6 kg

¹ This is our recommendation for overcurrent protection sized at 100% of load. Check local codes for compliance if necessary.

² Copper must be used. Conductors should be sized to maintain a voltage drop of less than 3% under load.

³ Requires a 150 A main service.

⁴ Requires a 200 A main service.

⁵ Requires a 300 A main service.

⁶ 29 B/29 Plus & 36 B/36 Plus may be wired for balanced 3-phase 208V. 15 B/15 Plus, 20 B/20 Plus, 24 B/24 Plus may be wired for unbalanced 3-phase 208V.

INSTALLATION TECHNICAL DATA

ENGLISH

13.3 Temperature increase above ambient water temperature

	Cold water inlet temp.	Hot water flow rate [GPM]						Hot water flow rate [l/m]					
		Hot water outlet temperature 105°F						Hot water outlet temperature 40°C					
		39°F	59°F	77°F	95°F	113°F	131°F	4°C	15°C	25°C	35°C	45°C	55°C
Tempra 12 B / Tempra 12 Plus	9 kW @ 208 V	0.95	1.36	2.27	6.61	-	-	3.58	5.16	8.59	25.00	-	-
	12 kW @ 220-240 V	1.26	1.82	3.03	6.61	-	-	4.77	6.87	11.46	25.00	-	-
Tempra 15 B / Tempra 15 Plus	10.8 kW @ 208 V	1.14	1.63	2.72	6.61	-	-	4.30	6.19	10.31	25.00	-	-
	14.4 kW @ 220-240 V	1.51	2.18	3.63	6.61	-	-	5.73	8.25	13.75	25.00	-	-
Tempra 20 B / Tempra 20 Plus	14.4 kW @ 208 V	1.51	2.18	3.63	6.61	-	-	5.73	8.25	13.75	25.00	-	-
	19.2 kW @ 220-240 V	2.02	2.91	4.84	6.61	-	-	7.64	11.00	18.33	25.00	-	-
Tempra 24 B / Tempra 24 Plus	18 kW @ 208 V	1.89	2.72	4.54	6.61	-	-	7.16	10.31	17.18	25.00	-	-
	24 kW @ 220-240 V	2.52	3.63	6.05	6.61	-	-	9.55	13.75	22.91	25.00	-	-
Tempra 29 B / Tempra 29 Plus	21.6 kW @ 208 V	2.27	3.27	5.45	6.61	-	-	8.59	12.37	20.62	25.00	-	-
	28.8 kW @ 220-240 V	3.03	4.36	6.61	6.61	-	-	11.46	16.50	25.00	25.00	-	-
Tempra 36 B / Tempra 36 Plus	27 kW @ 208 V	2.84	4.09	6.61	6.61	-	-	10.74	15.47	25.00	25.00	-	-
	36 kW @ 220-240 V	3.78	5.45	6.61	6.61	-	-	14.32	20.62	25.00	25.00	-	-

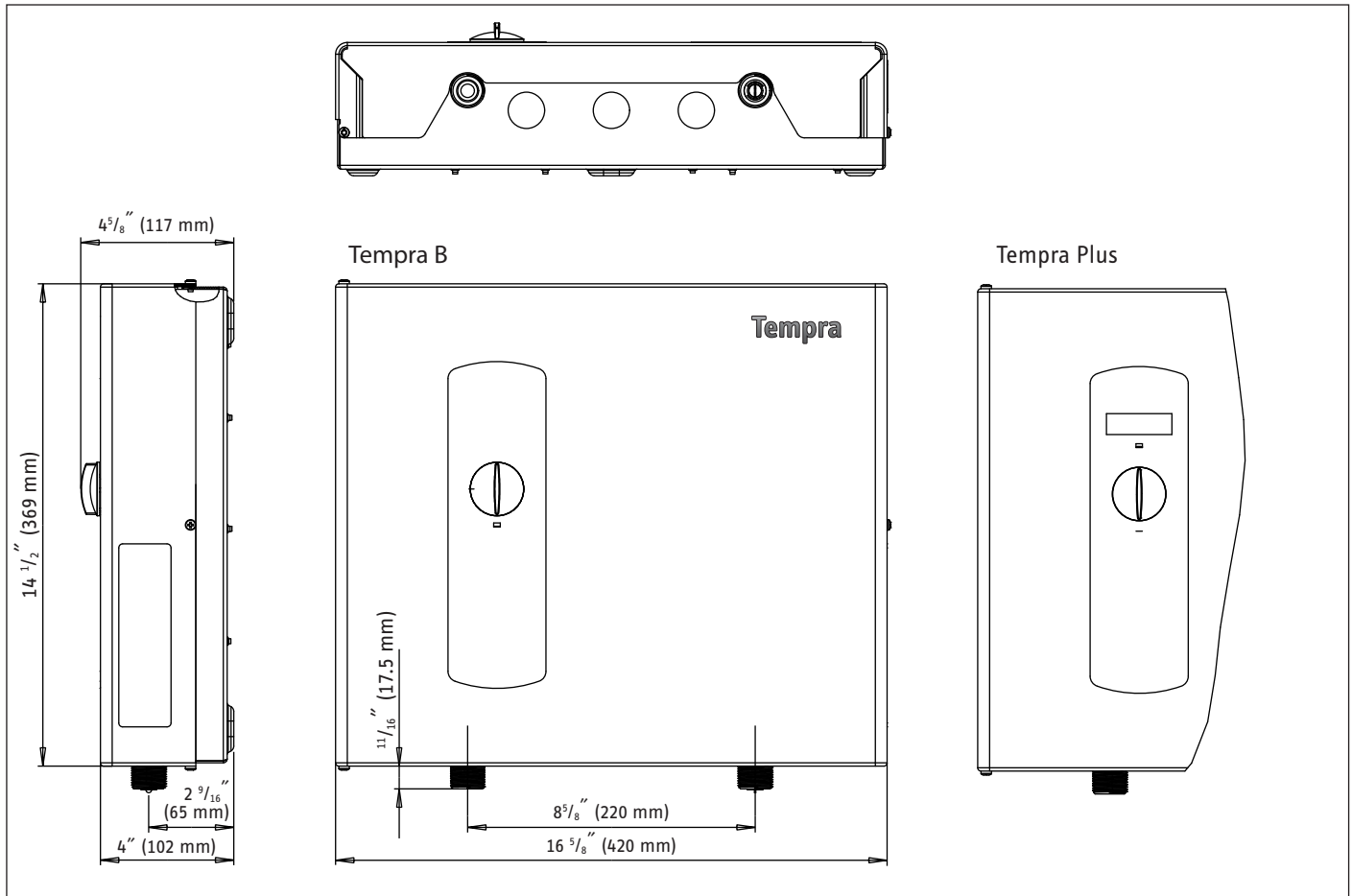
	Cold water inlet temp.	Hot water flow rate [GPM]						Hot water flow rate [l/m]					
		Hot water outlet temperature 113°F						Hot water outlet temperature 45°C					
		39°F	59°F	77°F	95°F	113°F	131°F	4°C	15°C	25°C	35°C	45°C	55°C
Tempra 12 B / Tempra 12 Plus	9 kW @ 208 V	0.83	1.14	1.70	3.41	6.61	-	3.14	4.30	6.44	12.89	25.00	-
	12 kW @ 220-240 V	1.11	1.51	2.27	4.54	6.61	-	4.19	5.73	8.59	17.18	25.00	-
Tempra 15 B / Tempra 15 Plus	10.8 kW @ 208 V	1.00	1.36	2.04	4.09	6.61	-	3.77	5.16	7.73	15.47	25.00	-
	14.4 kW @ 220-240 V	1.33	1.82	2.72	5.45	6.61	-	5.03	6.87	10.31	20.62	25.00	-
Tempra 20 B / Tempra 20 Plus	14.4 kW @ 208 V	1.33	1.82	2.72	5.45	6.61	-	5.03	6.87	10.31	20.62	25.00	-
	19.2 kW @ 220-240 V	1.77	2.45	3.63	6.61	6.61	-	6.71	9.16	13.75	25.00	25.00	-
Tempra 24 B / Tempra 24 Plus	18 kW @ 208 V	1.66	2.27	3.41	6.61	6.61	-	6.29	8.59	12.89	25.00	25.00	-
	24 kW @ 220-240 V	2.21	3.03	4.54	6.61	6.61	-	8.38	11.46	17.18	25.00	25.00	-
Tempra 29 B / Tempra 29 Plus	21.6 kW @ 208 V	1.99	2.72	4.09	6.61	6.61	-	7.54	10.31	15.47	25.00	25.00	-
	28.8 kW @ 220-240 V	2.66	3.63	5.45	6.61	6.61	-	10.06	13.75	20.62	25.00	25.00	-
Tempra 36 B / Tempra 36 Plus	27 kW @ 208 V	2.49	3.41	5.11	6.61	6.61	-	9.43	12.89	19.33	25.00	25.00	-
	36 kW @ 220-240 V	3.32	4.54	6.61	6.61	6.61	-	12.57	17.18	25.00	25.00	25.00	-

	Cold water inlet temp.	Hot water flow rate [GPM]						Hot water flow rate [l/m]					
		Hot water outlet temperature 140°F						Hot water outlet temperature 60°C					
		39°F	59°F	77°F	95°F	113°F	131°F	4°C	15°C	25°C	35°C	45°C	55°C
Tempra 12 B / Tempra 12 Plus	9 kW @ 208 V	0.61	0.76	0.97	1.36	2.27	6.61	2.30	2.86	3.68	5.16	8.59	25.00
	12 kW @ 220-240 V	0.81	1.01	1.30	1.82	3.03	6.61	3.07	3.82	4.91	6.87	11.46	25.00
Tempra 15 B / Tempra 15 Plus	10.8 kW @ 208 V	0.73	0.91	1.17	1.63	2.72	6.61	2.76	3.44	4.42	6.19	10.31	25.00
	14.4 kW @ 220-240 V	0.97	1.21	1.56	2.18	3.63	6.61	3.68	4.58	5.89	8.25	13.75	25.00
Tempra 20 B / Tempra 20 Plus	14.4 kW @ 208 V	0.97	1.21	1.56	2.18	3.63	6.61	3.68	4.58	5.89	8.25	13.75	25.00
	19.2 kW @ 220-240 V	1.30	1.61	2.08	2.91	4.84	6.61	4.91	6.11	7.86	11.00	18.33	25.00
Tempra 24 B / Tempra 24 Plus	18 kW @ 208 V	1.22	1.51	1.95	2.72	4.54	6.61	4.60	5.73	7.36	10.31	17.18	25.00
	24 kW @ 220-240 V	1.62	2.02	2.59	3.63	6.05	6.61	6.14	7.64	9.82	13.75	22.91	25.00
Tempra 29 B / Tempra 29 Plus	21.6 kW @ 208 V	1.46	1.82	2.33	3.27	5.45	6.61	5.52	6.87	8.84	12.37	20.62	25.00
	28.8 kW @ 220-240 V	1.95	2.42	3.11	4.36	6.61	6.61	7.36	9.16	11.78	16.50	25.00	25.00
Tempra 36 B / Tempra 36 Plus	27 kW @ 208 V	1.82	2.27	2.92	4.09	6.61	6.61	6.90	8.59	11.05	15.47	25.00	25.00
	36 kW @ 220-240 V	2.43	3.03	3.89	5.45	6.61	6.61	9.21	11.46	14.73	20.62	25.00	25.00

INSTALLATION TECHNICAL DATA

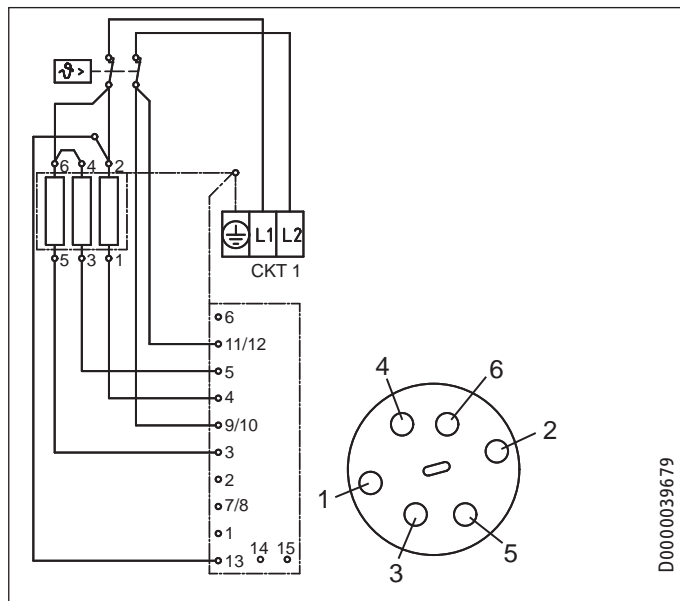
13.4 Dimensions

Tempra B / Tempra Plus

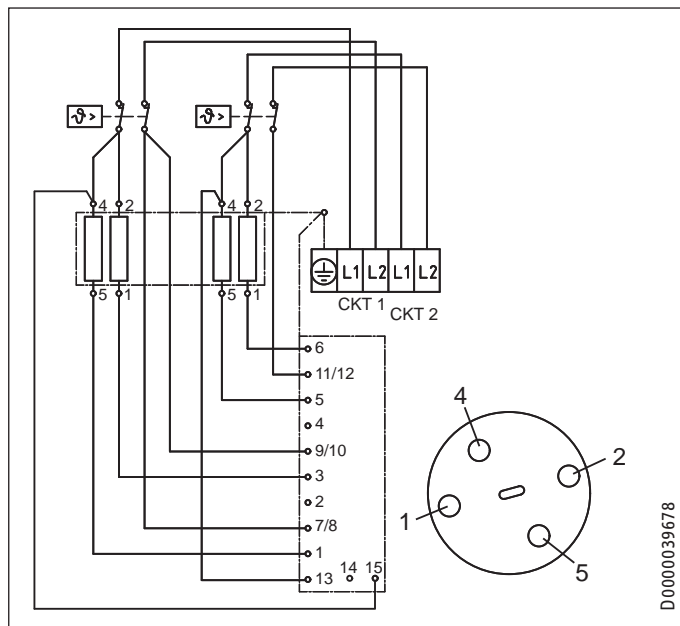


13.5 Wiring Diagrams

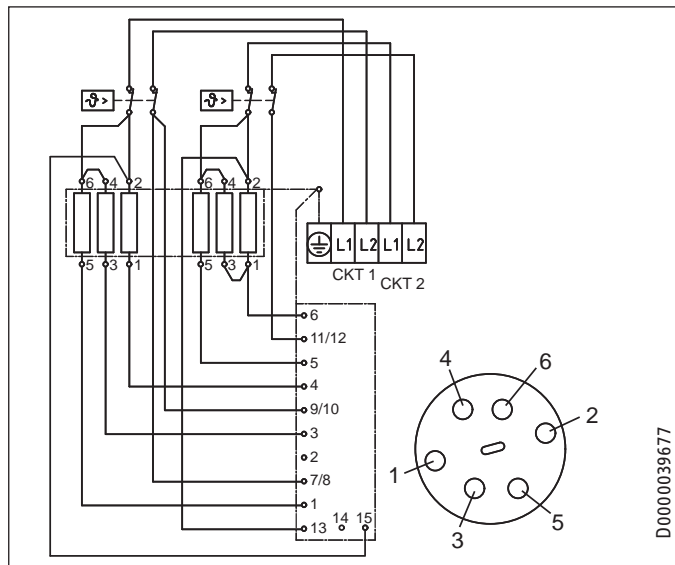
13.5.1 Tempra 12 B / Tempra 12 Plus



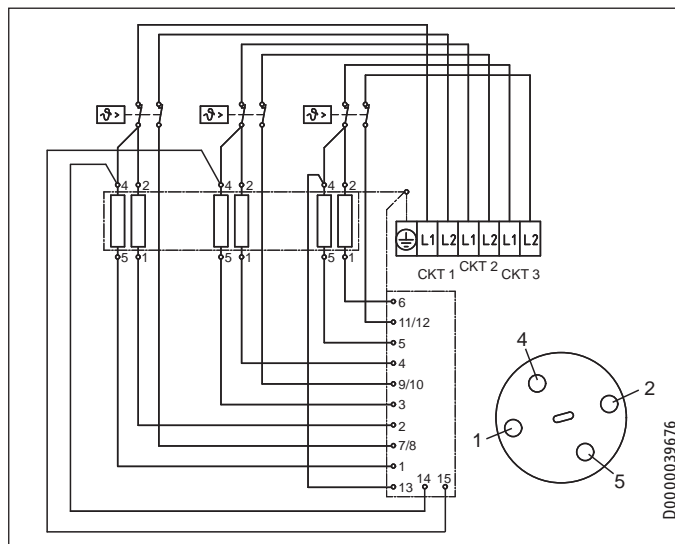
13.5.2 Tempra 15, 20 B / Tempra 15,20 Plus



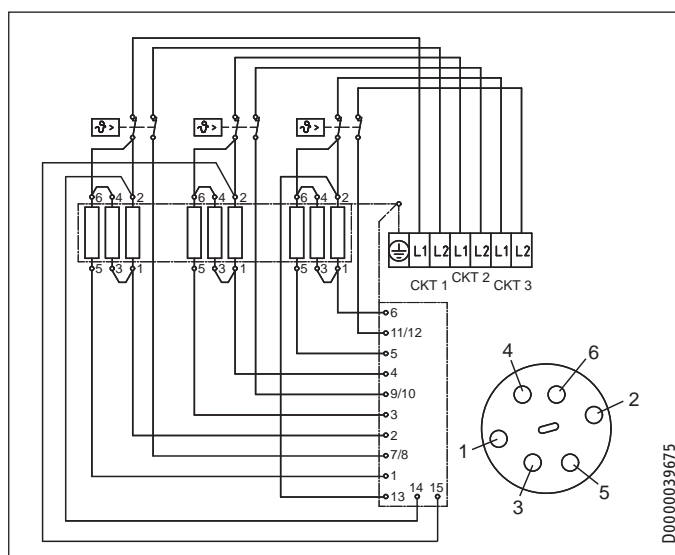
13.5.3 Tempra 24 B / Tempra 24 Plus



13.5.4 Tempra 29 B / Tempra 29 Plus



13.5.5 Tempra 36 B / Tempra 36 Plus



INSTALLATION

SPARE PARTS

14. Spare parts

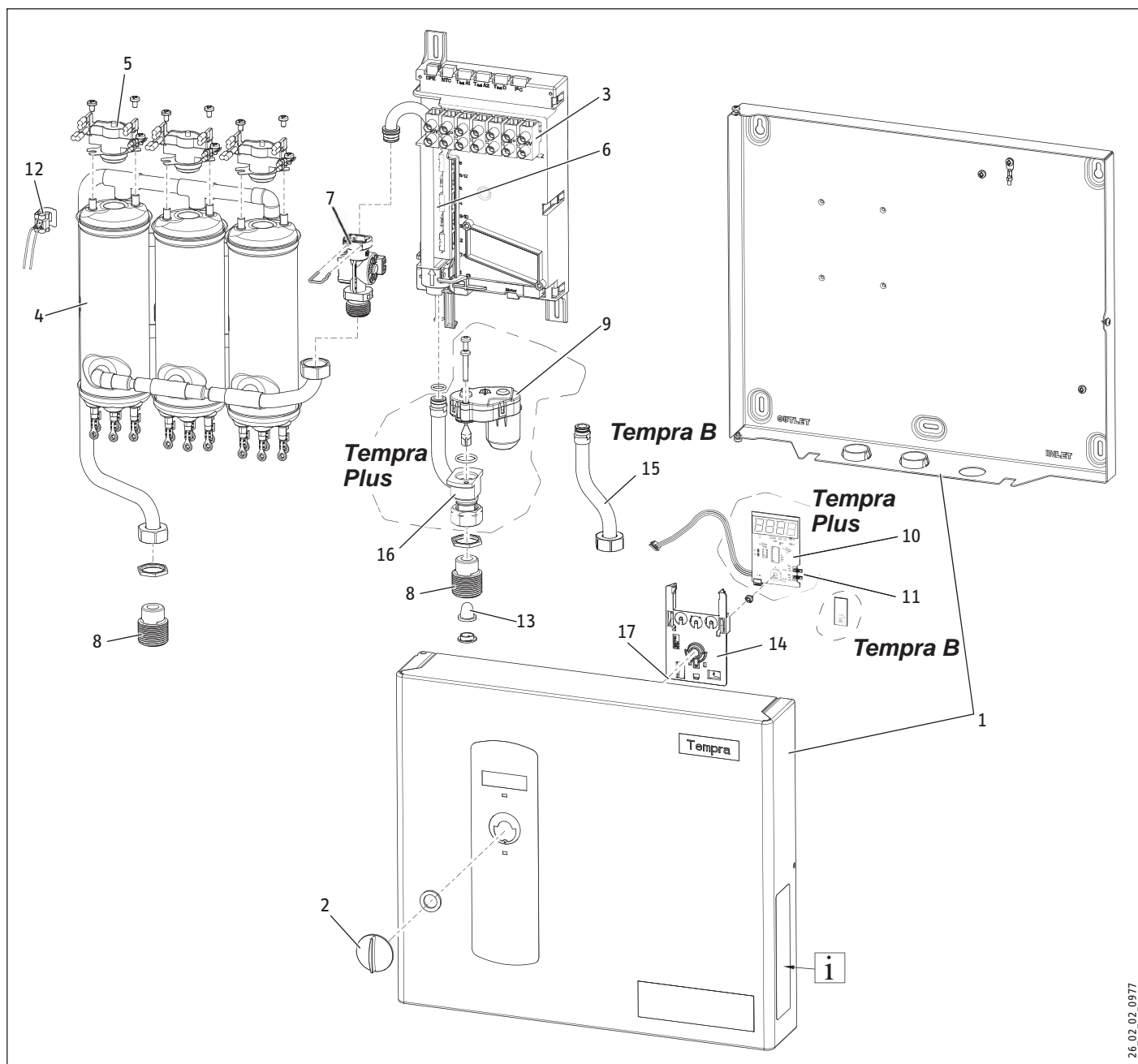
	Spare part No.						
	1	2	3	4	5	6	7
	Housing	Temp. control knob	Wiring block	Heating system	Safety thermal cut out	Electronic control device	Flow sensor
Tempra 12 B	286356	254307	279998	286360	286369	286366	286461
Tempra 15 B	286356	254307	279997	286361	286369	286844	286461
Tempra 20 B	286356	254307	279997	286362	286369	286844	286461
Tempra 24 B	286356	254307	279997	286364	286369	286367	286461
Tempra 29 B	286356	254307	279996	286373	286369	296888	286461
Tempra 36 B	286356	254307	279996	286374	286369	296889	286461
Tempra 12 Plus	286370	254307	279998	286360	286369	286375	286461
Tempra 15 Plus	286370	254307	279997	286361	286369	286845	286461
Tempra 20 Plus	286370	254307	279997	286362	286369	286845	286461
Tempra 24 Plus	286370	254307	279997	286364	286369	286376	286461
Tempra 29 Plus	286370	254307	279996	286373	286369	286378	286461
Tempra 36 Plus	286370	254307	279996	286374	286369	286379	286461

	Spare part No.						
	8	9	10	11	12	13	14
	Plumbing connection 3/4"	Advanced Flow Control	Electronic temp. control	Jumpers	Temperature sensor	Filter screen	Set point case
Tempra 12 B	278698	---	286359	---	280677	056755	280730
Tempra 15 B	278698	---	286359	---	280677	056755	280730
Tempra 20 B	278698	---	286359	---	280677	056755	280730
Tempra 24 B	278698	---	286359	---	280677	056755	280730
Tempra 29 B	278698	---	286359	---	280677	056755	280730
Tempra 36 B	278698	---	286359	---	280677	056755	280730
Tempra 12 Plus	278698	220502	286372	283455	280677	056755	280730
Tempra 15 Plus	278698	220502	286372	283455	280677	056755	280730
Tempra 20 Plus	278698	220502	286372	283455	280677	056755	280730
Tempra 24 Plus	278698	220502	286372	283455	280677	056755	280730
Tempra 29 Plus	278698	220502	286372	283455	280677	056755	280730
Tempra 36 Plus	278698	220502	286372	283455	280677	056755	280730

INSTALLATION

SPARE PARTS

	Spare part No.		
	15	16	17
	Inlet pipe elbow	Valve assembly	Axis connection
Tempra 12 B	278695	---	254312
Tempra 15 B	278695	---	254312
Tempra 20 B	278695	---	254312
Tempra 24 B	278695	---	254312
Tempra 29 B	278695	---	254312
Tempra 36 B	278695	---	254312
Tempra 12 Plus	---	280622	254312
Tempra 15 Plus	---	280622	254312
Tempra 20 Plus	---	280622	254312
Tempra 24 Plus	---	280622	254312
Tempra 29 Plus	---	280622	254312
Tempra 36 Plus	---	280622	254312



15. Warranty

LIMITED WARRANTY

Subject to the terms and conditions set forth in this limited warranty, Stiebel Eltron, Inc. (the "Manufacturer") hereby warrants to the original purchaser (the "Owner") that each Tankless Electric Domestic Hot Water Heater (the "Heater") shall not (i) leak due to defects in the Manufacturer's materials or workmanship for a period of seven (7) years from the date of purchase or (ii) fail due to defects in the Manufacturer's materials or workmanship for a period of three (3) years from the date of purchase. As Owner's sole and exclusive remedy for breach of the above warranty, Manufacturer shall, at the Manufacturer's discretion, send replacement parts for local repair; retrieve the unit for factory repair, or replace the defective Heater with a replacement unit with comparable operating features. Manufacturer's maximum liability under all circumstances shall be limited to the Owner's purchase price for the Heater.

This limited warranty shall be the exclusive warranty made by the Manufacturer and is made in lieu of all other warranties, express or implied, whether written or oral, including, but not limited to warranties of merchantability and fitness for a particular purpose. Manufacturer shall not be liable for incidental, consequential or contingent damages or expenses arising directly or indirectly from any defect in the Heater or the use of the Heater. Manufacturer shall not be liable for any water damage or other damage to property of Owner arising, directly or indirectly, from any defect in the Heater or the use of the Heater. Manufacturer alone is authorized to make all warranties on Manufacturer's behalf and no statement, warranty or guarantee made by any other party shall be binding on Manufacturer.

Manufacturer shall not be liable for any damage whatsoever relating to or caused by:

1. any misuse or neglect of the Heater, any accident to the Heater, any alteration of the Heater, or any other unintended use;
2. acts of God and circumstances over which Manufacturer has no control;

3. installation of the Heater other than as directed by Manufacturer and other than in accordance with applicable building codes;
4. failure to maintain the Heater or to operate the Heater in accordance with the Manufacturer's specifications;
5. operation of the Heater under fluctuating water pressure or in the event the Heater is supplied with non-potable water, for any duration;
6. improper installation and/or improper materials used by any installer and not relating to defects in parts or workmanship of Manufacturer;
7. moving the Heater from its original place of installation;
8. exposure to freezing conditions;
9. water quality issues such as corrosive water, hard water, and water contaminated with pollutants or additives;

Should owner wish to return the Heater to manufacturer for repair or replacement under this warranty, Owner must first secure written authorization from Manufacturer. Owner shall demonstrate proof of purchase, including a purchase date, and shall be responsible for all removal and transportation costs. If Owner cannot demonstrate a purchase date this warranty shall be limited to the period beginning from the date of manufacture stamped on the Heater. Manufacturer reserves the right to deny warranty coverage upon Manufacturer's examination of Heater. This warranty is restricted to the Owner and cannot be assigned.

Some States and Provinces do not allow the exclusion or limitation of certain warranties. In such cases, the limitations set forth herein may not apply to the Owner. In such cases this warranty shall be limited to the shortest period and lowest damage amounts allowed by law. This warranty gives you specific legal rights and you may also have other rights which vary from State to State or Province to Province.

Owner shall be responsible for all labor and other charges incurred in the removal or repair of the Heater in the field. Please also note that the Heater must be installed in such a manner that if any leak does occur, the flow of water from any leak will not damage the area in which it is installed.



The installation, electrical connection and first operation of this appliance should be carried out by a qualified installer.



The company does not accept liability for failure of any goods supplied which have not been installed and operated in accordance with the manufacturer's instructions.

Environment and recycling

Please help us to protect the environment by disposing of the packaging in accordance with the national regulations for waste processing.

This Warranty is valid for U.S.A. & Canada only. Warranties may vary by country. Please consult your local Stiebel Eltron Representative for the Warranty for your country.

OPERACIÓN

1.	General Information	2
2.	Seguridad	2
2.1	Uso previsto	2
2.2	Información general	2
2.3	Medidas de seguridad	3
2.4	Sello de certificación	3
3.	Registre su producto	3
4.	Generalidades	3
4.1	Apariencia general	4
4.2	Tempra B dispositivo	4

INSTALACIÓN

5.	Configuración de la instalación	5
6.	Montaje de la unidad	5
7.	Conexiones de agua	6
8.	Conexión eléctrica	6
8.1	Diagramas de circuitos	7
8.2	Conexión del circuito	8
8.3	Bloque de terminales	8
9.	Ajustes iniciales	9
10.	Puesta en servicio del calentador de agua	9
11.	Mantenimiento normal	9
12.	Solución de problemas	10
13.	Datos técnicos	10
13.1	Tempra B	10
13.2	Tempra Plus	11
13.3	Aumento máximo de temperatura del agua fría entrante	12
13.4	Dimensiones	13
13.5	Diagrama eléctrico	14
14.	Repuestos	15
15.	Garantía	16

OPERACIÓN

1. General Information

Es importante leer y cumplir cuidadosamente todas las indicaciones del presente manual de servicio. De no seguir las indicaciones, normas y reglas detalladas se pueden causar daños personal y/o materiales. Errores, cambios de lo indicado en la instalación, ajuste, alteraciones, tipo de servicio y uso de esta unidad pueden provocar serios daños personales.

Se requiere que la instalación de esta unidad sea efectuada por un electricista y plomero profesionales. Una vez terminada la instalación debe cumplir con todas las normas y códigos locales y nacionales. La adecuada instalación es responsabilidad del usuario. El no cumplir con las instrucciones de instalación o el uso inapropiado anula la garantía.

Este manual de instrucciones debe estar guardado para referencia. El contratista instalador debe dejar este manual con el dueño/usuario del equipo.

Si hay alguna(s) pregunta(s) sobre la instalación, uso o funcionamiento de este calentador de agua, o si se requieren copias adicionales de este manual, favor llamar a nuestro teléfono de servicio (800) 582-8423 (solo en los EE.UU.AA y Canadá). Si Ud. está ubicado afuera de los EE.UU.AA. y Canadá favor llamarnos al teléfono ++ (413) 247-3380 y nosotros les dirigimos al centro de servicio Stiebel Eltron autorizado más cercano.



Este es el símbolo / advertencia de seguridad!!! Se utiliza para alertarles de riesgos y peligros potenciales referentes a su seguridad personal, hay que seguir todos los mensajes de advertencia para evitar posibles lesiones personales y peligros que pueden causar hasta la muerte.

2. Seguridad

Observe las siguientes indicaciones y normas de seguridad.

El equipo sólo debe utilizarse después de haber sido instalado completamente y con todos los dispositivos de seguridad.

2.1 Uso previsto

El aparato está previsto para el calentamiento del agua potable y puede abastecer varios puntos de extracción.

El uso fuera de las especificaciones descritas se considera indebido.

Además, el obediencia de las presentes instrucciones forma parte del uso previsto de este aparato.

2.2 Información general

Lea el manual íntegramente. El desobediencia de las normas, instrucciones y reglamentos puede causar lesiones físicas a personas y/o daños materiales. La instalación, ajuste, modificación y mantenimiento incorrectos del presente aparato puede conducir a lesiones físicas considerables.

Este aparato debe ser instalado por un técnico autorizado. La instalación debe cumplir toda la normativa nacional, regional y local.

OPERACIÓN

REGISTRE SU PRODUCTO

El técnico especializado es responsable de la correcta instalación. El desobedecimiento de las instrucciones de instalación y operación o el uso indebido conducen a la anulación de la garantía.

Guarde el presente manual para futuras consultas. El técnico especializado debe entregar este manual al usuario.

En caso de cualquier consulta relativa a la instalación, uso u operación del presente calentador o, si fuera preciso en relación a cualquier otro manual de instalación, diríjase al teléfono de servicio técnico (800)-582-8423.

2.3 Medidas de seguridad



Peligro de lesiones
Lea y obedezca las siguientes instrucciones. El desobedecimiento de esta información puede conllevar graves lesiones o la muerte.



Daños en el aparato y al medio ambiente
Este aparato debe ser instalado por un técnico autorizado. La instalación debe cumplir toda la normativa nacional, regional y local. El mantenimiento del aparato debe ser realizado por técnicos autorizados.



PELIGRO: Electrocuación
Antes de llevar a cabo cualquier tarea de instalación, ajuste, modificación o mantenimiento de este aparato deben desconectarse todos los interruptores de potencia y seccionadores de alimentación eléctrica del aparato. El desobedecimiento de estas indicaciones puede conllevar graves lesiones o la muerte.



PELIGRO Electrocuación
El aparato debe conectarse a tierra adecuadamente. Si no se conecta a tierra el producto pueden producirse graves lesiones físicas o incluso la muerte.



PELIGRO Quemaduras
Las temperaturas del agua que superen los 125 °F (52 °C) pueden causar quemaduras graves repentinas o incluso la muerte por escaldamiento. El peligro de escaldamiento con agua caliente existe si el termostato del aparato presenta un ajuste demasiado alto. En hogares con niños pequeños, personas discapacitadas o personas mayores puede ser necesario ajustar el termostato a 113 °F (45 °C) o menos para evitar lesiones físicas por agua caliente.



ADVERTENCIA Peligro de lesiones
Si niños o personas con discapacidad física, sensorial o mentalmente, operan el aparato debe asegurarse de que dicha operación se realice después de haber recibido la instrucción adecuada por una persona a su cargo. En el caso de los niños debe procurar que no jueguen con el aparato.

2.4 Sello de certificación

Consulte la placa de especificaciones del aparato.

3. Registre su producto



Nota:
Debe registrar este producto en un plazo de 90 días desde la compra a través de nuestra página web para activar cualquier garantía estándar o para optar a la ampliación de la garantía. Visite nuestra página web www.stiebel-eltron-usa.com y haga clic en "Registre su producto".

Antes de comenzar el proceso de registro, le sugerimos que recopile la siguiente información que necesitará:

Modelo; ejemplo: Tempra 24 Plus (La placa de identificación se encuentra arriba de la conexión de salida de agua caliente ("DHW outlet"))

Número que se indica después de "Nr."

Lugar de compra

Fecha de compra

Nombre y apellido

Dirección de email

Dirección postal

Número de teléfono

Fecha de instalación

Si tiene alguna pregunta en relación con el proceso de registro o con las opciones de garantía, por favor, póngase en contacto directamente con Stiebel Eltron USA en el número de teléfono (800)-582-8423.

4. Generalidades



PELIGRO: Agua caliente con temperatura mayor de 125 °F (52 °C) puede causar quemaduras graves de escaldadura instantáneamente y/o la muerte. El riesgo para quemaduras de escaldadura existe si el control del termostato de la unidad está puesto en una posición demasiado alta. Hogares con infantes, niños pequeños, personas minusválidas o ancianos deben optar por colocar la temperatura de agua caliente saliente a menos de 120 °F (49 °C) para evitar posibles lesiones por quemadura.

Las unidades Tempra B y Tempra Plus han sido diseñadas para suministrar agua caliente para viviendas unifamiliares, apartamentos o determinadas aplicaciones comerciales.

A diferencia del acumulador convencional, el calentador de agua sin depósito Tempra no almacena agua caliente. En lugar de ello, el agua se calienta de forma instantánea a medida que pasa a través de la unidad. El Tempra ofrece mayor rendimiento energético que los calentadores de agua de almacenamiento, debido a la ausencia de pérdidas en stand-by y a unas longitudes menores de tubería de agua caliente.

La entrada de calor en el agua se controla electrónicamente. El Tempra es capaz de proporcionar cualquier temperatura del agua entre 86 °F (30 °C) y 140 °F (60 °C). Ajuste la temperatura deseada utilizando el botón del panel delantero. El botón de ajuste de temperatura Tempra Plus puede ajustarse en: OFF, 86 ... 140 °F (30 ... 60 °C).

INSTALACIÓN

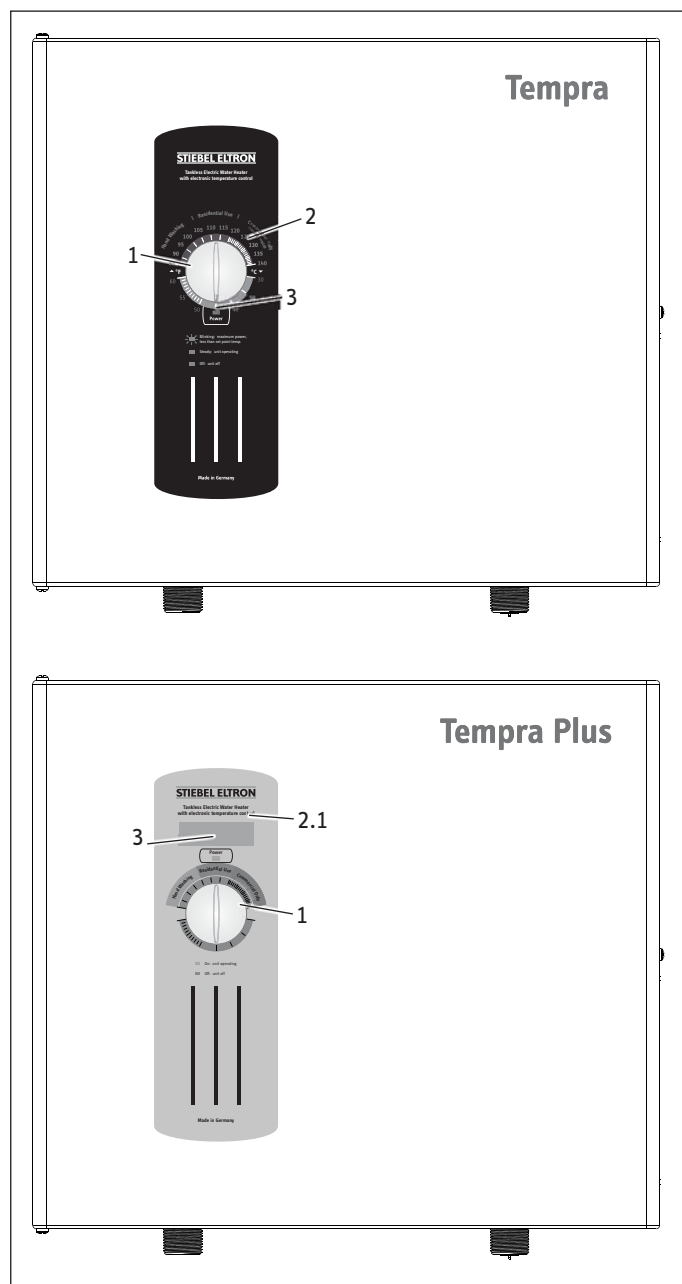
GENERALIDADES

El **Tempra B** posee una escala en °F y °C. La temperatura de salida del Tempra Plus se muestra en la pantalla digital en °F o °C. (las unidades °F o °C pueden seleccionarse durante la instalación y de fábrica viene ajustada la unidad °F). La temperatura máxima está limitada electrónicamente a 140 °F (60 °C).

Por razones de eficiencia y vida útil (calcificación) del aparato, el rango de ajuste óptimo de la temperatura está entre 30 °C (86 °F) y 50 °C (120 °F).

La temperatura de salida del **Tempra Plus** puede limitarse (véase "Ajustes iniciales").

4.1 Apariencia general



- 1 Botón de ajuste de temperatura
- 2 Escala de temperatura
- 2.1 Pantalla de temperatura
- 3 Luz de alimentación

4.2 Tempra B dispositivo

Si el LED "Power" [alimentación] parpadea durante el funcionamiento de la unidad, el caudal de agua supera la capacidad de calefacción de la unidad. Reduzca el caudal de agua caliente para que la unidad alcance la temperatura de consigna.



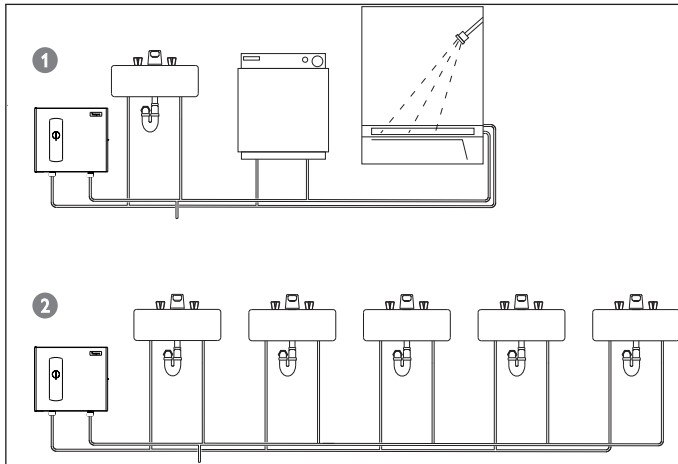
Si tiene cualquier duda sobre la utilización del Tempra llame a nuestro servicio técnico 800-582-8423 (EE.UU. y Canadá). Para recibir servicio técnico fuera de los EE. UU. y Canadá, llámenos en 413-247-3380. También puede enviarnos un e-mail a la dirección info@stiebel-eltron-usa.com o un fax a los 413-247-3369.

INSTALACIÓN

5. Configuración de la instalación

El Tempra puede utilizarse para las siguientes aplicaciones.

- 1 Instalación residencial típica
- 2 Instalación comercial típica



6. Montaje de la unidad



NOTA: La unidad debe estar instalada en posición vertical con las conexiones de agua mirando hacia abajo. No instale la unidad en lugares en los que pueda sufrir salpicaduras de agua. Puede sufrir una electrocución.

PELIGRO: No se puede instalar la unidad en un sitio donde hay salpicadura de agua. Es para evitar el riesgo de posible descarga eléctrica.

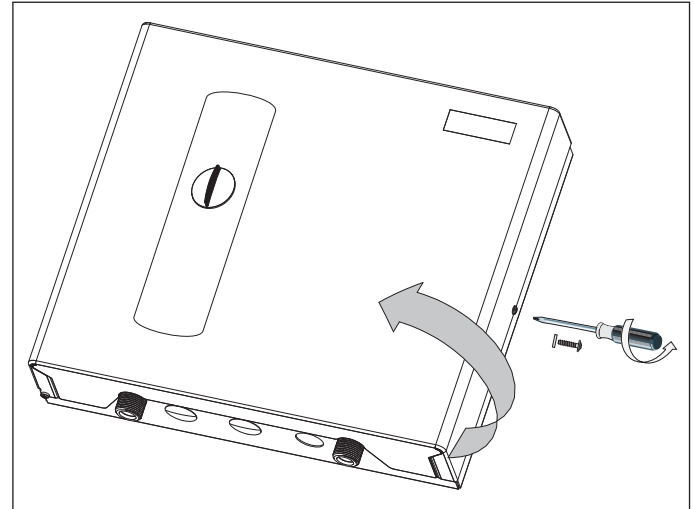
PRECAUCION IMPORTANTE: La tubería saliente de la unidad puede estar caliente al tocarla. Los tubos con una altura de 36 pulgadas (90 cm) o menos tienen que ser recubiertos con insulación térmica para evitar quemaduras a los niños.

AVISO IMPORTANTE: No se puede instalar la unidad en un sitio donde este sujeto a temperaturas menores de cero °c (32 °f). Si la unidad esta sujeta a temperaturas que permitirían la congelación del agua hay que drenar la unidad antes que ocurra tal cosa. Si esto no se hace el calentador pierde la garantía.

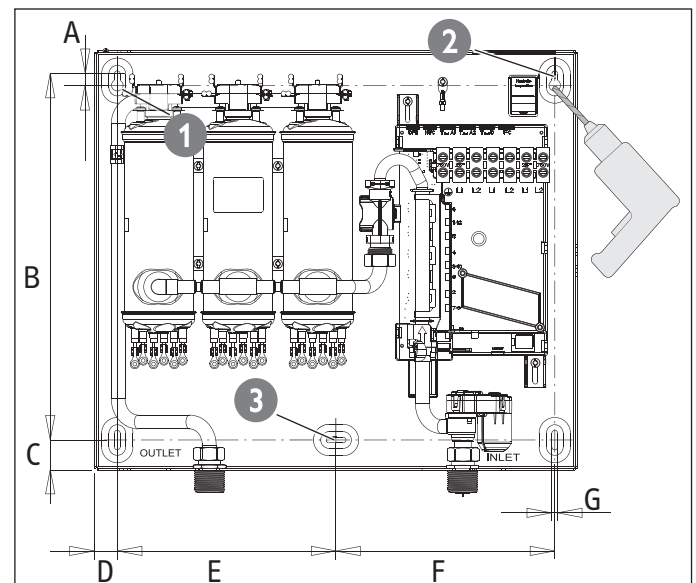
HAY que instalar la unidad donde se evite que una posible fuga de agua desde la unidad o sus conexiones puedan resultar en daños a las áreas contiguas. Si no es posible tal colocación recomendamos colocar / instalar drenaje por debajo de la unidad.

1. Instale el Tempra lo más cerca posible de los puntos de suministro de agua caliente.
2. Instale el Tempra en una zona resguardada de la escarcha. Si se formara escarcha, extraiga la unidad antes de que se impongan las temperaturas de congelación.
3. Deje una distancia de separación mínima de 5" por todos los lados para poder realizar el mantenimiento sin problemas.

4. Extraiga el tornillo de la tapa con un destornillador #2 Pozidrive y abra la tapa.



5. Instale la unidad fijamente a la pared colocando al menos tres tornillos en los orificios de montaje 1 2 3. Los tornillos y los dispositivos de anclaje plásticos de pared para montar sobre mampostería o madera vienen incluidos.



Dimensiones

A	$\frac{3}{8}$ " / 10 mm
B	$12\frac{1}{2}$ " / 318 mm
C	1" / 26 mm
D	$\frac{3}{4}$ " / 19.5 mm
E	$7\frac{1}{2}$ " / 190 mm
F	$7\frac{1}{2}$ " / 190 mm
G	$\frac{3}{16}$ " / 5 mm

7. Conexiones de agua

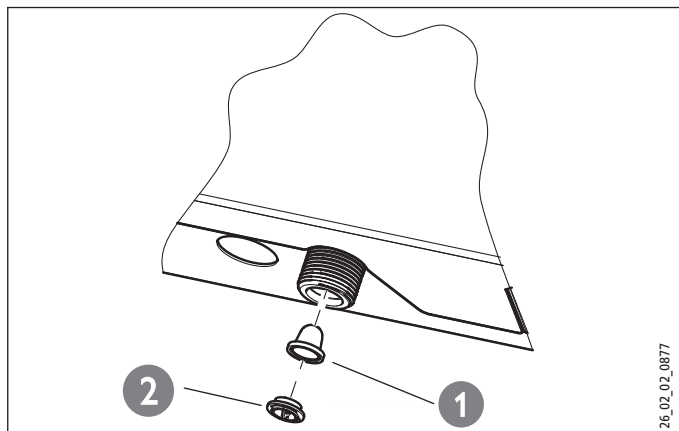


NOTA: Un calor de soldadura excesivo sobre las tuberías de cobre junto al Temptra podría causar daños.

ATENCIÓN: La conexión de agua fría a la unidad esta sujeta a ser desconectada periódicamente por poder limpiar el pequeño filtro / malla que se encuentra adentro de la misma. Sugerimos utilizar conexiones, uniones de tope y mangueras flexibles, resistentes al agua caliente, que permitan hacer tal servicio de mantenimiento preventivo.

ATENCIÓN: Hay que tomar en cuenta que la instalación de la unidad en lugares donde hay "agua dura" o agua con un alto contenido de minerales se toma un riesgo de dañar los componentes internos de la unidad por incrustaciones. En tales situaciones la garantía no se considera válida.

1. Todos los trabajos de fontanería deben cumplir la normativa nacional, regional y local en materia de fontanería.
2. Si la presión de suministro de agua fría supera los 150 PSI (10 bar) deberá instalarse una válvula reductora de presión.
3. Asegúrese de que la tubería de suministro de agua caliente se ha enjuagado para eliminar cualquier tipo de residuos y suciedad.
4. Asimismo, el Temptra dispone de una pantalla de filtrado integrada ① que debe limpiarse periódicamente. Lave la pantalla y vuelva a colocar la pantalla y la arandela ② en su posición original. La conexión de agua fría a la unidad esta sujeta a ser desconectada periódicamente por poder limpiar el pequeño filtro / malla que se encuentra adentro de la misma. Sugerimos utilizar conexiones, uniones de tope y mangueras flexibles, resistentes al agua caliente, que permitan hacer tal servicio de mantenimiento preventivo.



5. La conexión de agua fría (entrada) se encuentra a la derecha de la unidad y la conexión de agua caliente (salida) a la izquierda de la unidad.



NOTA: Los calentadores de agua sin depósito, como el Temptra, no necesitan estar equipados con una Válvula de Alivio de Presión y Temperatura (P&T). Si el inspector local no pasa la instalación sin una válvula P&T, ésta debe instalarse en el lado de salida de agua caliente de la unidad.

6. El Temptra está diseñado para establecer una conexión en tuberías de cobre o un tubo flexible trenzado de acero inoxidable de PEX con rosca hembra autorroscante de 3/4" NPT. Si es necesario realizar cualquier trabajo de soldadura cerca de la unidad dirija la llama apartándola de la carcasa de la unidad para evitar que se produzcan daños.
7. Una vez realizados todos los trabajos de fontanería, revise la instalación para comprobar si existen fugas y tome medidas correctivas antes de comenzar a utilizar la unidad.

8. Conexión eléctrica



ADVERTENCIA: Antes de realizar cualquier trabajo en la instalación eléctrica asegúrese de que los interruptores del panel del interruptor automático principal están apagados para evitar cualquier peligro de electrocución.

Todos los trabajos de montaje y fontanería deben realizarse antes de realizar la conexión eléctrica. Siempre que sea necesario debido a la normativa eléctrica regional o nacional, los circuitos deben equiparse con un interruptor de fallas a tierra.

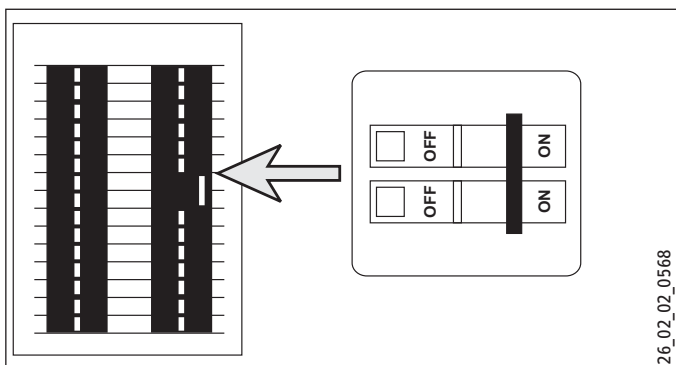
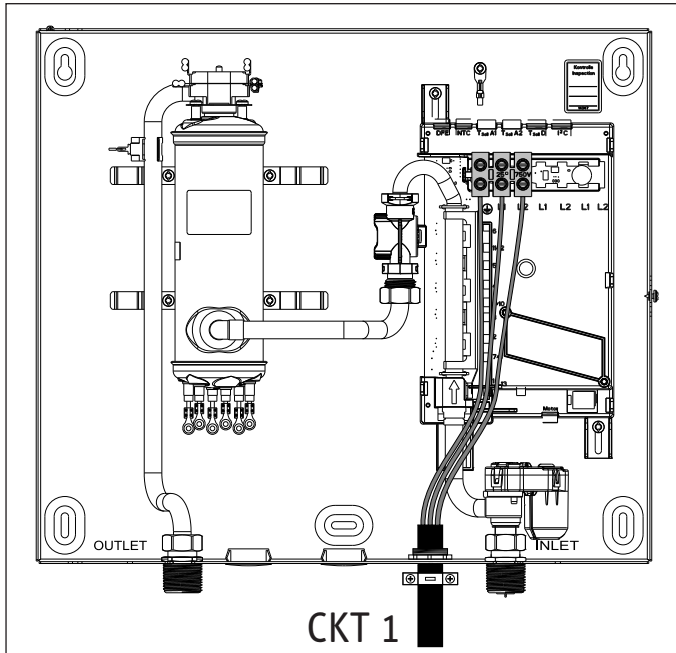
El Temptra debe conectarse a circuitos en ramificación separados y adecuadamente conectados a tierra que cuenten con las especificaciones técnicas adecuadas. La conexión a tierra debe ajustarse en "Ground" del panel del interruptor automático.

INSTALACIÓN

CONEXIÓN ELÉCTRICA

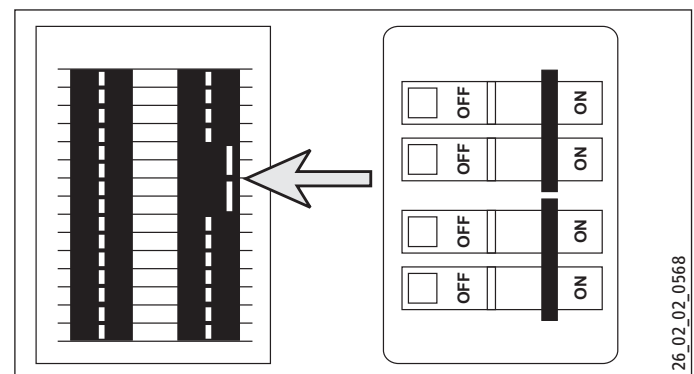
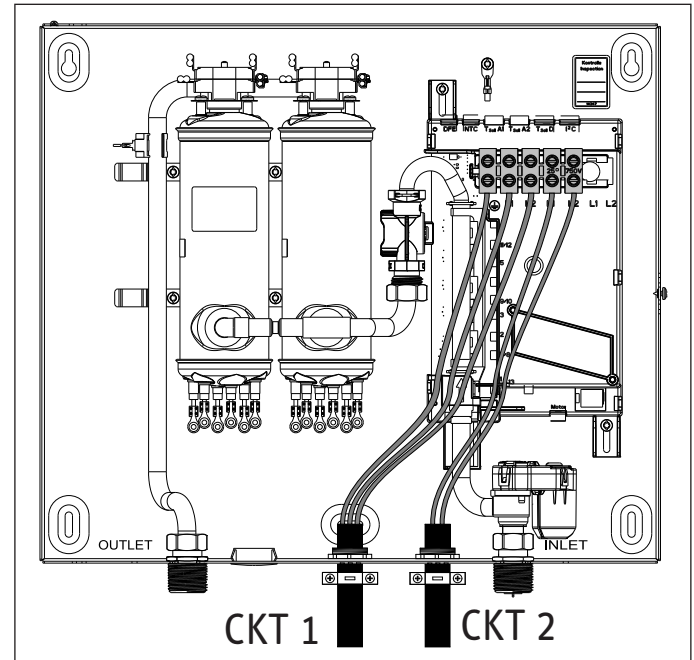
8.1 Diagramas de circuitos

8.1.1 Tempra 12 B / Tempra 12 Plus



Tempra 12 B/Plus: Estas unidades pueden conectarse a un único circuito. Utilice un cable de suministro protegido por un interruptor de doble polo.

8.1.2 Tempra 15, 20, 24 B / Tempra 15, 20, 24 Plus

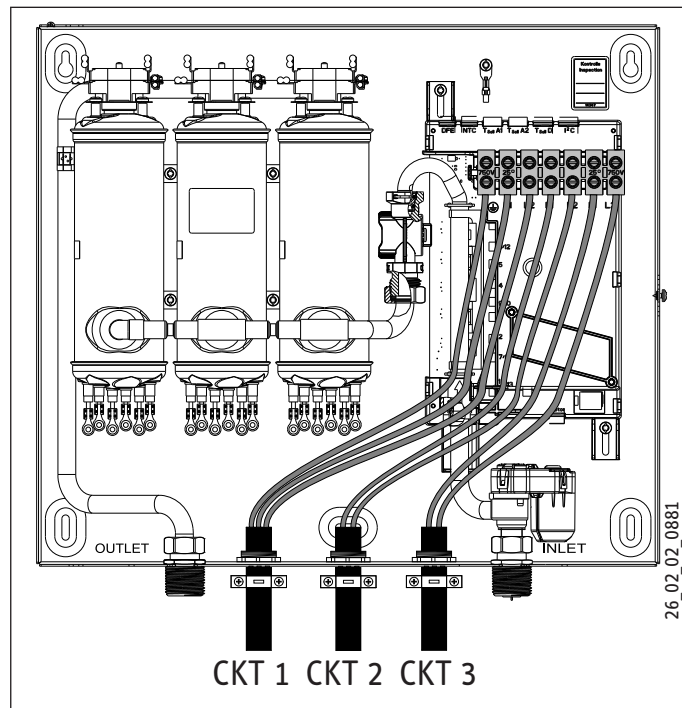


Tempra 15, 20 o 24 B/Plus: Estas unidades requieren dos circuitos independientes. Utilice dos cables de suministro protegidos por dos interruptores de doble polo separados.

INSTALACIÓN

CONEXIÓN ELÉCTRICA

8.1.3 Tempra 29, 36 B / Tempra 29, 36 Plus



ADVERTENCIA: Al igual que sucede con cualquier otro electrodoméstico, si la conexión a tierra no se realiza pueden producirse lesiones graves o incluso la muerte.

8.3 Bloque de terminales

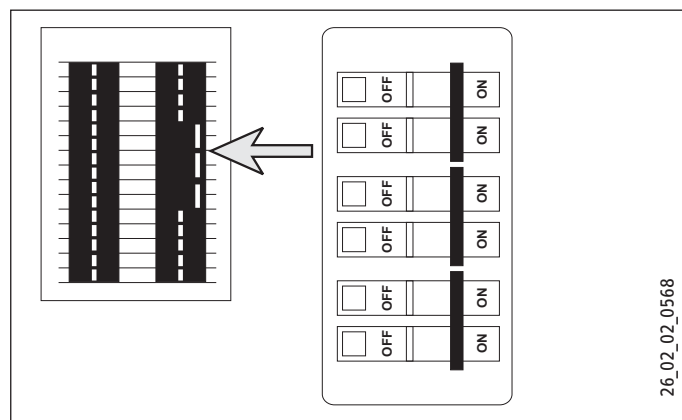
Se recomienda usar cable trenzado para conectar al bloque de terminales. Engarce una férula sobre cable trenzado pelado para asegurar una buena conexión.

Consulte el siguiente diagrama para ver el nivel recomendado de torsión en los tornillos del bloque de terminales.

Diámetro del cable (mm)	Torsión (N•cm)	Torsión (lbf•in)
2.8	30-40	2.65-3.54
2.8-3	35-50	3.09-4.42
3-3.2	50-60	4.42-5.31
3.2-3.6	60-80	5.31-7.08
3.6-4.1	90-120	7.96-10.62
4.1-4.7	120-180	10.62-15.93
4.7-5.3	150-200	13.27-17.7

Usar las especificaciones de torsión adecuadas para fijar el cable al bloque de cableado ayuda a evitar pérdidas personales o daños a la propiedad.

Consulte las tablas de la sección 13, pág. 25 para ver información sobre el calibre adecuado para los cables.

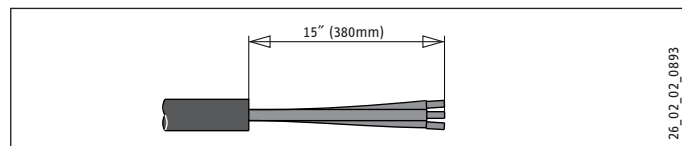


Tempra 29 o 36 B/Plus Estas unidades requieren tres circuitos independientes. Utilice tres cables de suministro protegidos por tres interruptores de doble polo separados.

8.2 Conexión del circuito

Consulte la tabla de datos técnicos para obtener el tamaño correcto del cableado y del interruptor automático. En cualquier caso, asegúrese de que la unidad está correctamente conectada a tierra.

1. Corte el cable de conexión eléctrica para adecuar su longitud y pélelo.



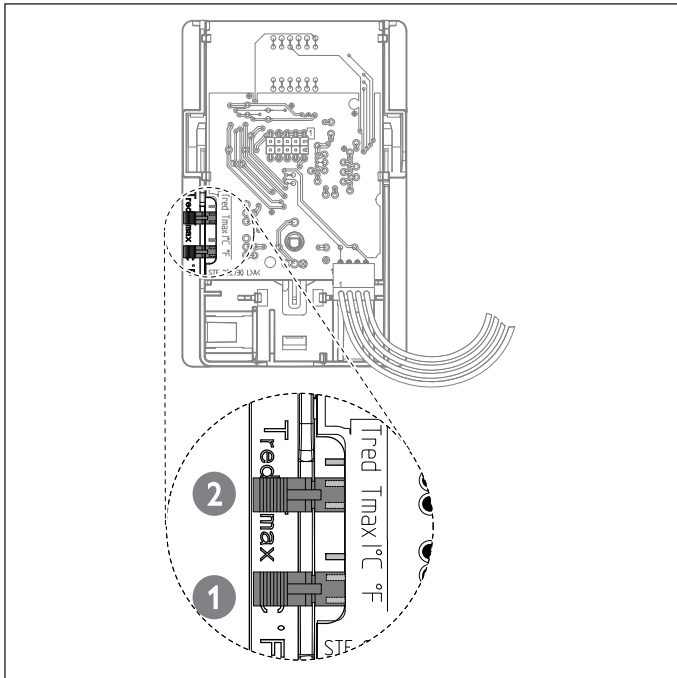
2. El cable debe pasarse a través de los orificios ciegos ubicados entre las conexiones de agua caliente y de agua fría 8.1, pág. 22. Los cables energizados deben conectarse a las ranuras del bloque de terminales y marcarse como L1 y L2. El cable de conexión a tierra debe conectarse a la ranura marcada con el símbolo de tierra (13.5, pág. 29).

INSTALACIÓN

AJUSTES INICIALES

9. Ajustes iniciales

Compruebe si el cable del transmisor del valor de referencia está conectado en el orificio correspondiente T_{soil} **A1** (Tempra B) o bien, T_{soil} **D** (Tempra Plus) del sistema electrónico principal.



1 Selección de unidades °F o °C

- Ajuste el interruptor instantáneo en la placa de circuito impreso en °F o °C.

2 Activar función de protección frente a escaldaduras

Con Tempra Plus puede activarse una función de protección frente a escaldaduras en dos variantes.

1. Limitar la temperatura de salida a un valor fijo de 109 °F (43 °C).

- Conecte el conector codificado en la posición T_{red} (temperatura reducida).
- 2. Ajustar la temperatura de salida individual
 - Aplicar tensión al aparato.
 - Abrir la carcasa para poder acceder al conector codificado $T_{\text{max}} / T_{\text{red}}$.
 - Colocar el botón de regulación de temperatura en la posición "OFF". El conector codificado debe estar fijado en T_{max} (estado de fábrica).
 - Fijar el conector codificado en T_{red} ; el modo de ajuste se activa y la indicación intermitente muestra el límite de temperatura actual.
 - En los próximos 30 segundos se puede ajustar la temperatura deseada (la indicación sigue parpadeando). Después de 30 segundos, se abandona el modo de ajuste y el mando vuelve a indicar "OFF".

10. Puesta en servicio del calentador de agua



ADVERTENCIA: Abra el grifo de agua caliente durante unos minutos hasta que el caudal salga de forma continuada y todo el aire se haya purgado de las tuberías de agua. La tapa de la unidad debe instalarse antes de encender los interruptores automáticos.

1. Cierre la tapa y fíjela utilizando el tornillo con disco interruptor.
2. Encienda los interruptores automáticos para proporcionar alimentación a la unidad.
3. Gire el selector de temperatura a derechas y a izquierdas para calibrar el transductor de valor de ajuste.
4. Ajuste la temperatura del agua hasta el nivel deseado utilizando el botón del panel delantero de la unidad.
5. Encienda el agua caliente y espere durante veinte segundos hasta que la temperatura se haya estabilizado.
6. Compruebe la temperatura del agua con la mano y asegúrese de que no está demasiado caliente. Reduzca la temperatura si fuera necesario.
7. Explique al usuario el funcionamiento de la unidad para que se familiarice con su uso.
Avisé al usuario sobre los posibles peligros existentes (temperatura del agua caliente hasta 140 °F / 60 °C). Entregue estas instrucciones con el fin de que sean archivadas para futuras consultas.

11. Mantenimiento normal

Los calentadores de agua sin depósito STIEBEL ELTRON Tempra han sido diseñados para alcanzar una larga vida útil. La esperanza de vida útil varía en función de la calidad del agua y del uso. La propia unidad no requiere ningún tipo de mantenimiento periódico. Sin embargo, para asegurar un caudal consistente se recomienda eliminar las acumulaciones de cal y suciedad que pueden formarse en el aireador del grifo o grifos o en el cabezal de ducha.



El Tempra no contiene ningún componente que requiera mantenimiento por parte del usuario. Si se produce cualquier avería avise a un fontanero o electricista autorizado.

INSTALACIÓN

SOLUCIÓN DE PROBLEMAS

12. Solución de problemas

Síntoma	Causa posible	Solución
No hay agua caliente	- interruptores automáticos apagados - protección térmica disparada - caudal insuficiente para activar la unidad	- encienda los interruptores automáticos - restaure la protección térmica - limpie la pantalla del filtro en la unidad - limpie el aireador o cabezal de la ducha
No hay suficiente agua caliente	- pantalla del filtro obstruida	- limpie la pantalla del filtro en la unidad
El agua no está suficientemente caliente	- caudal de agua demasiado elevada - voltaje demasiado bajo	- reduzca el caudal de agua hasta que la luz del panel delantero deje de parpadear - suministre la tensión adecuada a la unidad

Si el problema no puede solucionarse, diríjase a nosotros (véase última página) antes de retirar el aparato de la pared. STIEBEL ELTRON le proporcionará asistencia técnica con mucho gusto. En la mayoría de los casos, el problema puede solucionarse mediante una consulta telefónica.

13. Datos técnicos

13.1 Tempra B

	Tempra 12 B	Tempra 15 B	Tempra 20 B	Tempra 24 B ³	Tempra 29 B ⁴	Tempra 36 B ⁵
Número de pedido	223420	223421	223422	223424	232885	232886
Especificaciones eléctricas						
	Monofásico 50/60		Monofásico ⁶ 50/60		Monofásico ⁶ 50/60	
Corriente	Hz		Hz		Hz	
Voltaje	240 V	208 V	240 V	208 V	240 V	208 V
Potencia	12 kW	9 kW	14.4 kW	10.8 kW	19.2 kW	14.4 kW
Amperaje	1 x 50 A	1 x 44 A	2 x 30 A	2 x 26 A	2 x 40 A	2 x 35 A
Interruptor auto. # requerido ¹ (2P)	1 x 50 A		2 x 30 A		2 x 40 A	
Conexión eléctrica	1/N/GRD		2/GRD		2/GRD	
Calibre de alambre, cobre ²	1 x 6/2 AWG		2 x 10/2 AWG		2 x 8/2 AWG	
Conexiones						
Conexión para agua	3/4" NPT					
Temperatura máx. del agua fría	108°F / 42°C					
Datos del sistema hidráulico						
Contenido nominal	0.13 gal / 0.5 l	0.26 gal / 1.0 l	0.26 gal / 1.0 l	0.26 gal / 1.0 l	0.39 gal / 1.5 l	0.39 gal / 1.5 l
Valores						
Encendido (ON)	1.4 l/min	1.9 l/min	1.9 l/min	1.9 l/min	2.9 l/min	2.9 l/min
Encendido (ON)	0.37 GPM	0.5 GPM	0.5 GPM	0.5 GPM	0.77 GPM	0.77 GPM
Temperatura de admisión máxima admisible	131°F / 55°C					
Límites de utilización						
Presión máxima admisible	150 PSI / 1.0 MPa					
Presión de prueba	300 PSI / 2.0 MPa					
Modelos						
Indicación de temperatura	digital					
Cubierta y pared trasera	Chapa de acero					
Color	gris					
Dimensiones						
Altura	14.52 in / 369 mm					
Anchura	16.54 in / 420 mm					
Profundidad	4.61 in / 117 mm					
Pesos						
Peso	13.5 lbs / 6.1 kg	16.1 lbs / 7.3 kg	16.1 lbs / 7.3 kg	16.1 lbs / 7.3 kg	19 lbs / 8.6 kg	19 lbs / 8.6 kg

¹ Esta es nuestra recomendación por sobre la protección actual de tamaño al 100% de la carga. Compruebe normativa local si es necesario. Los calentadores sin tanque eléctricos son considerados una carga no continua.

² Debe usarse cobre. Los conductores deben ser dimensionados para mantener una caída de tensión de menos del 3 % en situación de carga.

³ Requiere un servicio eléctrico de 150 A.

⁴ Requiere un servicio eléctrico de 200 A.

⁵ Requiere un servicio eléctrico de 300 A.

⁶ 29/29 Plus y 36/36 Plus pueden ser cableados para equilibrada 208V 3 fases. 15/15 Plus, 20/20 Plus, 24/24 Plus puede ser cableado para desequilibrada 208V 3 fases.

INSTALACIÓN

DATOS TÉCNICOS

13.2 Tempra Plus

	Tempra 12 Plus	Tempra 15 Plus	Tempra 20 Plus	Tempra 24 Plus ³	Tempra 29 Plus ⁴	Tempra 36 Plus ⁵
Número de pedido	224196	224197	224198	224199	223425	223426
Especificaciones eléctricas						
	Monofásico 50/60	Monofásico ⁶ 50/60	Monofásico ⁶ 50/60	Monofásico ⁶ 50/60	Monofásico ⁶ 50/60	Monofásico ⁶ 50/60
Corriente	Hz	Hz	Hz	Hz	Hz	Hz
Voltaje	240 V 208 V	240 V 208 V	240 V 208 V	240 V 208 V	240 V 208 V	240 V 208 V
Potencia	12 kW 9 kW	14.4 kW 10.8 kW	19.2 kW 14.4 kW	24 kW 18 kW	28.8 kW 21.6 kW	36 kW 27 kW
Amperaje	1 x 50 A 1 x 44 A	2 x 30 A 2 x 26 A	2 x 40 A 2 x 35 A	2 x 50 A 2 x 44 A	3 x 40 A 3 x 35 A	3 x 50 A 3 x 44 A
Interruptor auto. # requerido ¹ (2P)	1 x 50 A	2 x 30 A	2 x 40 A 2 x 35 A	2 x 50 A	3 x 40 A 3 x 35 A	3 x 50 A
Conexión eléctrico	1/N/GRD	2/GRD	2/GRD	2/GRD	3/GRD	3/GRD
Calibre de alambre, cobre ²	1 x 6/2 AWG	2 x 10/2 AWG	2 x 8/2 AWG	2 x 6/2 AWG	3 x 8/2 AWG	3 x 6/2 AWG
Conexiones						
Conexión para agua	3/4" NPT					
Temperatura máx. del agua fría	108°F / 42°C					
Datos del sistema hidráulico						
Contenido nominal	0.13 gal / 0.5 l	0.26 gal / 1.0 l	0.26 gal / 1.0 l	0.26 gal / 1.0 l	0.39 gal / 1.5 l	0.39 gal / 1.5 l
Valores						
Encendido (ON)	1.4 l/min	1.9 l/min	1.9 l/min	1.9 l/min	2.9 l/min	2.9 l/min
Encendido (ON)	0.37 GPM	0.5 GPM	0.5 GPM	0.5 GPM	0.77 GPM	0.77 GPM
Temperatura de admisión máxima admisible	131°F / 55°C					
Límites de utilización						
Presión máxima admisible	150 PSI / 1.0 MPa					
Presión de prueba	300 PSI / 2.0 MPa					
Modelos						
Indicación de temperatura	digital					
Cubierta y pared trasera	Chapa de acero					
Color	gris					
Dimensiones						
Altura	14.52 in / 369 mm					
Anchura	16.54 in / 420 mm					
Profundidad	4.61 in / 117 mm					
Pesos						
Peso	13.5 lbs / 6.1 kg	16.1 lbs / 7.3 kg	16.1 lbs / 7.3 kg	16.1 lbs / 7.3 kg	19 lbs / 8.6 kg	19 lbs / 8.6 kg

¹ Esta es nuestra recomendación por sobre la protección actual de tamaño al 100% de la carga. Compruebe normativa local si es necesario.

Los calentadores sin tanque eléctricos son considerados una carga no continua.

² Debe usarse cobre. Los conductores deben ser dimensionados para mantener una caída de tensión de menos del 3 % en situación de carga.

³ Requiere un servicio eléctrico de 150 A.

⁴ Requiere un servicio eléctrico de 200 A.

⁵ Requiere un servicio eléctrico de 300 A.

⁶ 29/29 Plus y 36/36 Plus pueden ser cableados para equilibrada 208V 3 fases. 15/15 Plus, 20/20 Plus, 24/24 Plus puede ser cableado para desequilibrada 208V 3 fases.

INSTALACIÓN

DATOS TÉCNICOS

13.3 Aumento máximo de temperatura del agua fría entrante

Agua fría temperatura de entrada	Flujo de agua caliente [GPM]						Flujo de agua caliente [l/m]						
	Temperatura del agua caliente 105°F						Temperatura del agua caliente 40°C						
	39°F	59°F	77°F	95°F	113°F	131°F	4°C	15°C	25°C	35°C	45°C	55°C	
Tempra 12 B / Tempra 12 Plus	9 kW @ 208 V	0.95	1.36	2.27	6.61	-	-	3.58	5.16	8.59	25.00	-	-
	12 kW @ 220-240 V	1.26	1.82	3.03	6.61	-	-	4.77	6.87	11.46	25.00	-	-
Tempra 15 B / Tempra 15 Plus	10.8 kW @ 208 V	1.14	1.63	2.72	6.61	-	-	4.30	6.19	10.31	25.00	-	-
	14.4 kW @ 220-240 V	1.51	2.18	3.63	6.61	-	-	5.73	8.25	13.75	25.00	-	-
Tempra 20 B / Tempra 20 Plus	14.4 kW @ 208 V	1.51	2.18	3.63	6.61	-	-	5.73	8.25	13.75	25.00	-	-
	19.2 kW @ 220-240 V	2.02	2.91	4.84	6.61	-	-	7.64	11.00	18.33	25.00	-	-
Tempra 24 B / Tempra 24 Plus	18 kW @ 208 V	1.89	2.72	4.54	6.61	-	-	7.16	10.31	17.18	25.00	-	-
	24 kW @ 220-240 V	2.52	3.63	6.05	6.61	-	-	9.55	13.75	22.91	25.00	-	-
Tempra 29 B / Tempra 29 Plus	21.6 kW @ 208 V	2.27	3.27	5.45	6.61	-	-	8.59	12.37	20.62	25.00	-	-
	28.8 kW @ 220-240 V	3.03	4.36	6.61	6.61	-	-	11.46	16.50	25.00	25.00	-	-
Tempra 36 B / Tempra 36 Plus	27 kW @ 208 V	2.84	4.09	6.61	6.61	-	-	10.74	15.47	25.00	25.00	-	-
	36 kW @ 220-240 V	3.78	5.45	6.61	6.61	-	-	14.32	20.62	25.00	25.00	-	-

Agua fría temperatura de entrada	Flujo de agua caliente [GPM]						Flujo de agua caliente [l/m]						
	Temperatura del agua caliente 113°F						Temperatura del agua caliente 45°C						
	39°F	59°F	77°F	95°F	113°F	131°F	4°C	15°C	25°C	35°C	45°C	55°C	
Tempra 12 B / Tempra 12 Plus	9 kW @ 208 V	0.83	1.14	1.70	3.41	6.61	-	3.14	4.30	6.44	12.89	25.00	-
	12 kW @ 220-240 V	1.11	1.51	2.27	4.54	6.61	-	4.19	5.73	8.59	17.18	25.00	-
Tempra 15 B / Tempra 15 Plus	10.8 kW @ 208 V	1.00	1.36	2.04	4.09	6.61	-	3.77	5.16	7.73	15.47	25.00	-
	14.4 kW @ 220-240 V	1.33	1.82	2.72	5.45	6.61	-	5.03	6.87	10.31	20.62	25.00	-
Tempra 20 B / Tempra 20 Plus	14.4 kW @ 208 V	1.33	1.82	2.72	5.45	6.61	-	5.03	6.87	10.31	20.62	25.00	-
	19.2 kW @ 220-240 V	1.77	2.45	3.63	6.61	6.61	-	6.71	9.16	13.75	25.00	25.00	-
Tempra 24 B / Tempra 24 Plus	18 kW @ 208 V	1.66	2.27	3.41	6.61	6.61	-	6.29	8.59	12.89	25.00	25.00	-
	24 kW @ 220-240 V	2.21	3.03	4.54	6.61	6.61	-	8.38	11.46	17.18	25.00	25.00	-
Tempra 29 B / Tempra 29 Plus	21.6 kW @ 208 V	1.99	2.72	4.09	6.61	6.61	-	7.54	10.31	15.47	25.00	25.00	-
	28.8 kW @ 220-240 V	2.66	3.63	5.45	6.61	6.61	-	10.06	13.75	20.62	25.00	25.00	-
Tempra 36 B / Tempra 36 Plus	27 kW @ 208 V	2.49	3.41	5.11	6.61	6.61	-	9.43	12.89	19.33	25.00	25.00	-
	36 kW @ 220-240 V	3.32	4.54	6.61	6.61	6.61	-	12.57	17.18	25.00	25.00	25.00	-

Agua fría temperatura de entrada	Flujo de agua caliente [GPM]						Flujo de agua caliente [l/m]						
	Temperatura del agua caliente 140°F						Temperatura del agua caliente 60°C						
	39°F	59°F	77°F	95°F	113°F	131°F	4°C	15°C	25°C	35°C	45°C	55°C	
Tempra 12 B / Tempra 12 Plus	9 kW @ 208 V	0.61	0.76	0.97	1.36	2.27	6.61	2.30	2.86	3.68	5.16	8.59	25.00
	12 kW @ 220-240 V	0.81	1.01	1.30	1.82	3.03	6.61	3.07	3.82	4.91	6.87	11.46	25.00
Tempra 15 B / Tempra 15 Plus	10.8 kW @ 208 V	0.73	0.91	1.17	1.63	2.72	6.61	2.76	3.44	4.42	6.19	10.31	25.00
	14.4 kW @ 220-240 V	0.97	1.21	1.56	2.18	3.63	6.61	3.68	4.58	5.89	8.25	13.75	25.00
Tempra 20 B / Tempra 20 Plus	14.4 kW @ 208 V	0.97	1.21	1.56	2.18	3.63	6.61	3.68	4.58	5.89	8.25	13.75	25.00
	19.2 kW @ 220-240 V	1.30	1.61	2.08	2.91	4.84	6.61	4.91	6.11	7.86	11.00	18.33	25.00
Tempra 24 B / Tempra 24 Plus	18 kW @ 208 V	1.22	1.51	1.95	2.72	4.54	6.61	4.60	5.73	7.36	10.31	17.18	25.00
	24 kW @ 220-240 V	1.62	2.02	2.59	3.63	6.05	6.61	6.14	7.64	9.82	13.75	22.91	25.00
Tempra 29 B / Tempra 29 Plus	21.6 kW @ 208 V	1.46	1.82	2.33	3.27	5.45	6.61	5.52	6.87	8.84	12.37	20.62	25.00
	28.8 kW @ 220-240 V	1.95	2.42	3.11	4.36	6.61	6.61	7.36	9.16	11.78	16.50	25.00	25.00
Tempra 36 B / Tempra 36 Plus	27 kW @ 208 V	1.82	2.27	2.92	4.09	6.61	6.61	6.90	8.59	11.05	15.47	25.00	25.00
	36 kW @ 220-240 V	2.43	3.03	3.89	5.45	6.61	6.61	9.21	11.46	14.73	20.62	25.00	25.00

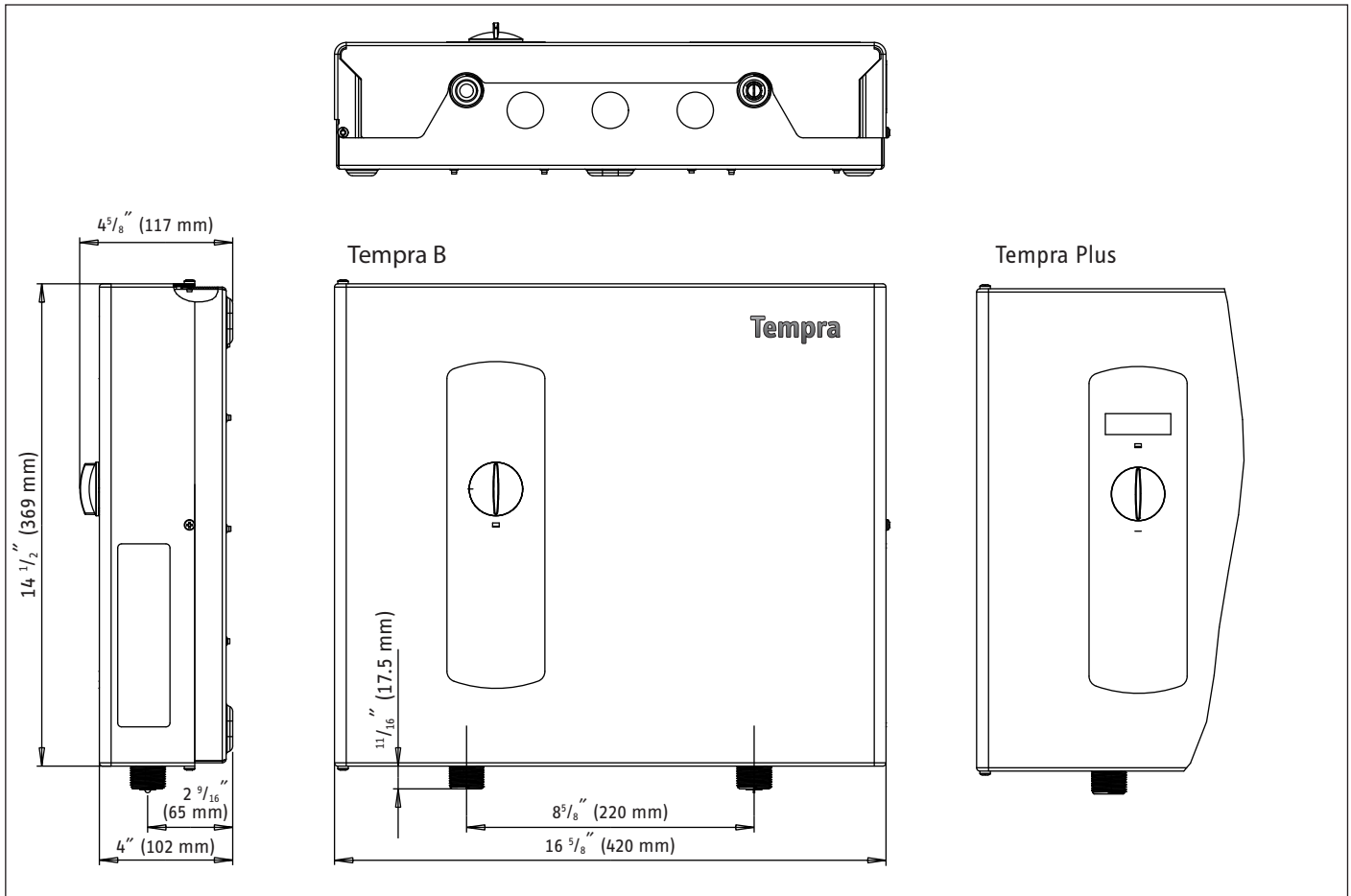
ESPAÑOL

INSTALACIÓN

DATOS TÉCNICOS

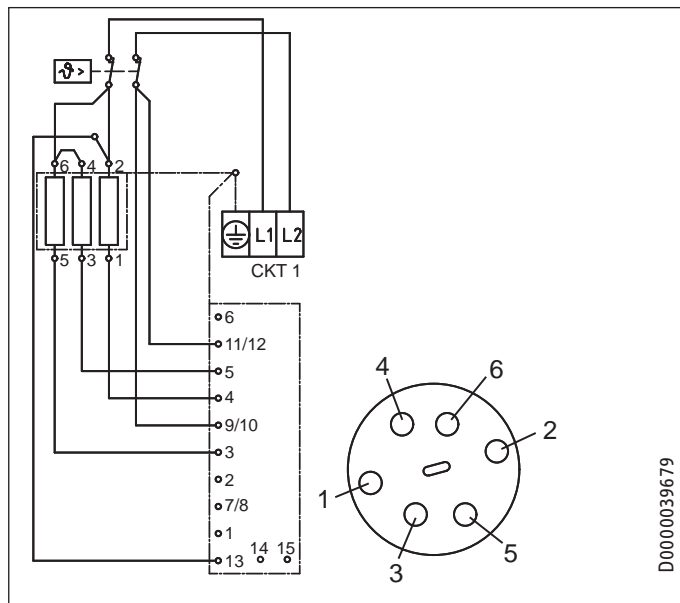
13.4 Dimensiones

Tempra B / Tempra Plus

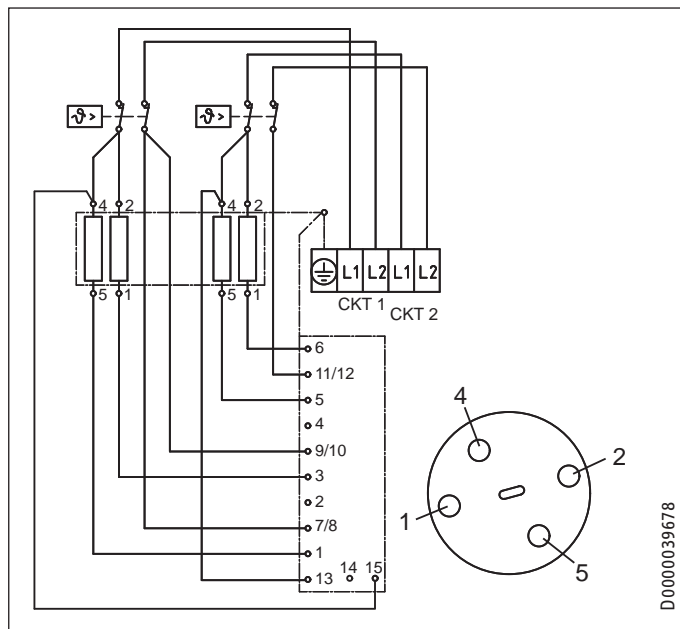


13.5 Diagrama eléctrico

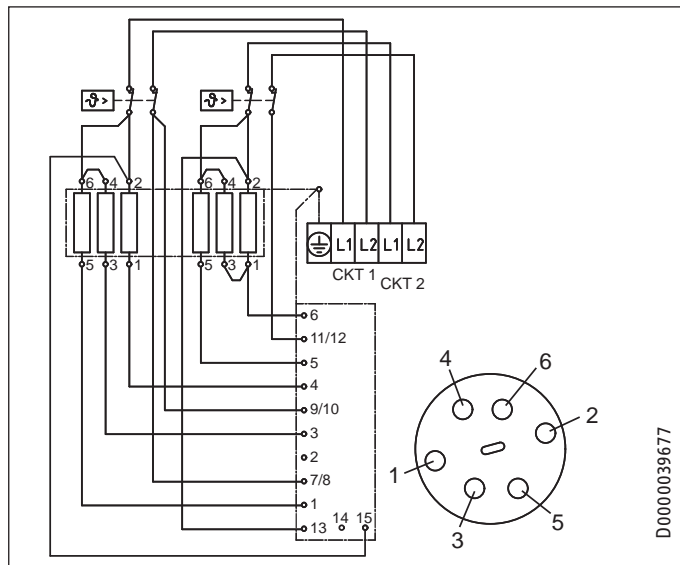
13.5.1 Tempra 12 B / Tempra 12 Plus



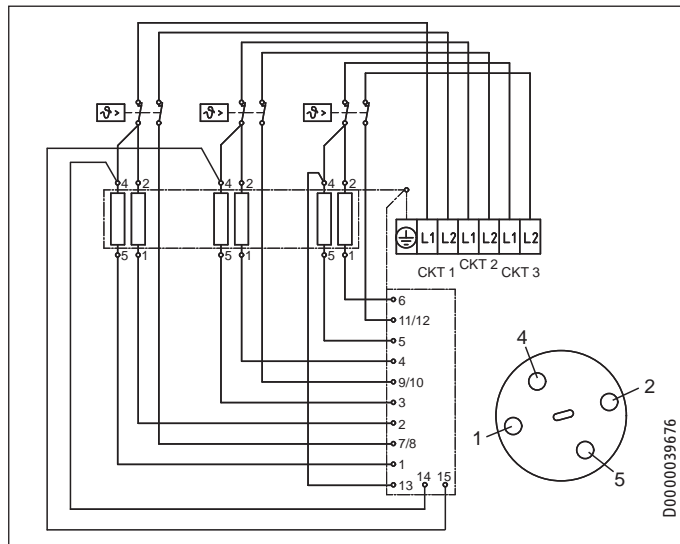
13.5.2 Tempra 15, 20 B / Tempra 15,20 Plus



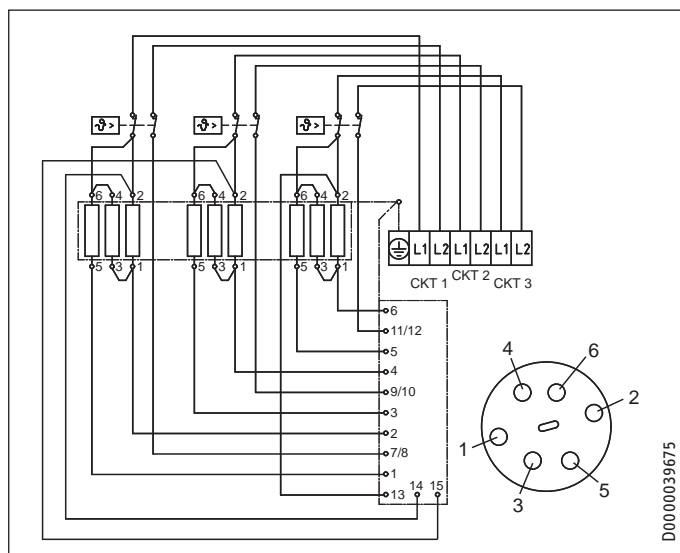
13.5.3 Tempra 24 B / Tempra 24 Plus



13.5.4 Tempra 29 B / Tempra 29 Plus

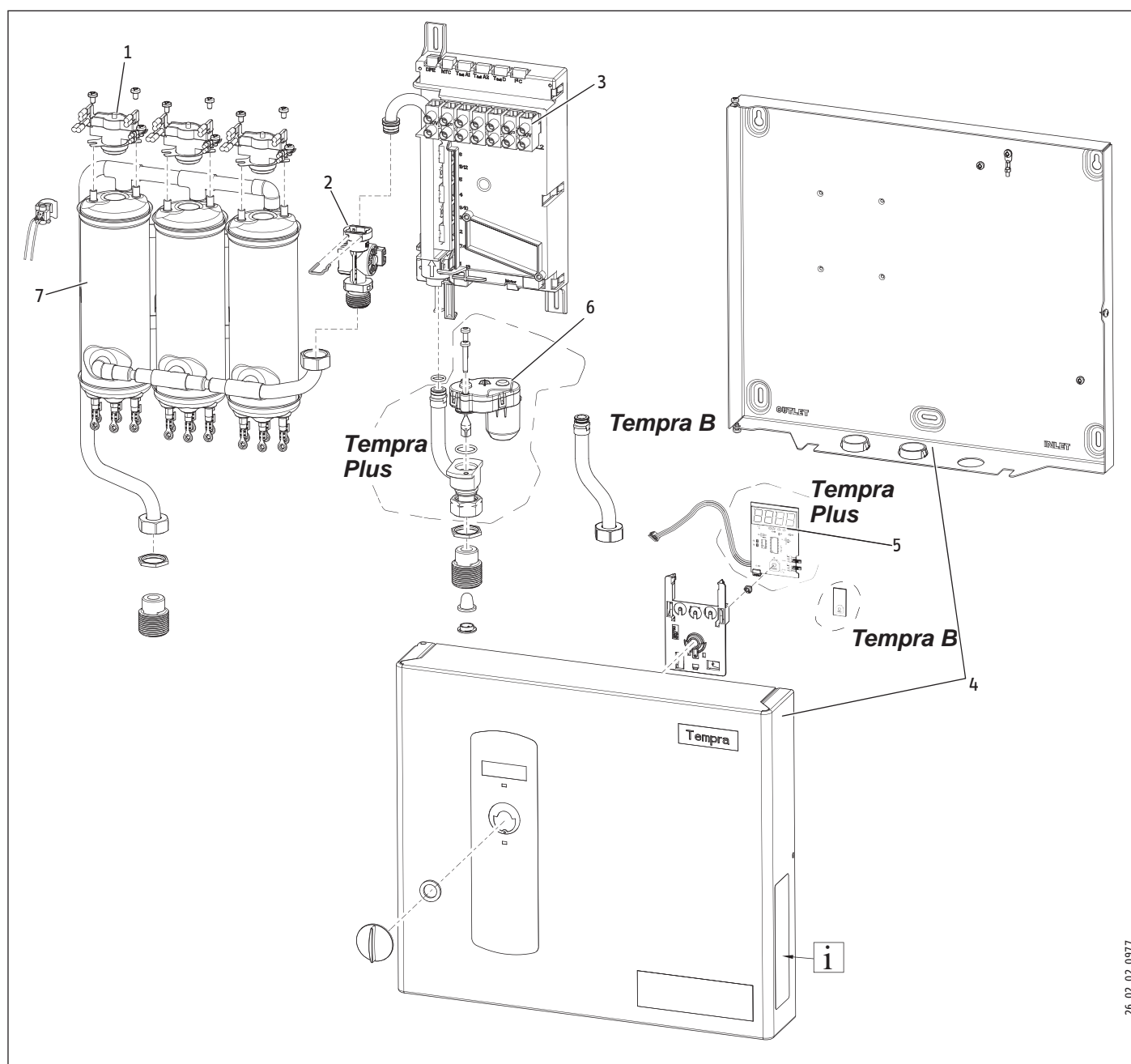


13.5.5 Tempra 36 B / Tempra 36 Plus



14. Repuestos

	Repuestos No.						
	1	2	3	4	5	6	7
	Disparo de la protección térmica de seguridad	Sensor de flujo	Unidad de control electrónica	Carcasa	Electrónico ajustador del valor de referencia	Valvula motorizada	Sistema de calefacción
Tempra 12 B	286369	286461	286366	286356	286359	---	286360
Tempra 15 B	286369	286461	286844	286356	286359	---	286361
Tempra 20 B	286369	286461	286844	286356	286359	---	286362
Tempra 24 B	286369	286461	286367	286356	286359	---	286364
Tempra 29 B	286369	286461	296888	286356	286359	---	286373
Tempra 36 B	286369	286461	296889	286356	286359	---	286374
Tempra 12 Plus	286369	286461	286375	286370	286372	220502	286360
Tempra 15 Plus	286369	286461	286845	286370	286372	220502	286361
Tempra 20 Plus	286369	286461	286845	286370	286372	220502	286362
Tempra 24 Plus	286369	286461	286376	286370	286372	220502	286364
Tempra 29 Plus	286369	286461	286378	286370	286372	220502	286373
Tempra 36 Plus	286369	286461	286379	286370	286372	220502	286374



15. Garantía

GARANTÍA LIMITADA

Sujeto a los términos y condiciones expresados en esta Garantía Limitada de por vida, Stiebel Eltron, Inc. (el "Fabricante") por la presente asegura al comprador original (el "Propietario") que cada calentador de agua eléctrico de calor sin tanque (el "Calentador") no deberá (i) tener fugas debido a defectos en los materiales del fabricante o mano de obra por un período de siete (7) años desde la fecha de compra o (ii) falla debido a defectos en los materiales o mano de obra del fabricante por un período de tres (3) años a partir de la fecha de compra. Como única y exclusiva solución para el Propietario en cuanto a la presente garantía, el Fabricante, a discreción del Fabricante, reparará en fábrica o reemplazará el Calentador defectuoso con una unidad o repuesto de reemplazo con características de funcionamiento comparables. La máxima responsabilidad del Fabricante en cualquier circunstancia se limitará al precio de compra del Calentador que pagó el Propietario.

Esta garantía limitada será la garantía exclusiva que el Fabricante otorga, y reemplaza todas las demás garantías, expresas o implícitas, escritas u orales, que incluyen pero no se limitan a las garantías de comerciabilidad o adecuación para un fin determinado. El Fabricante no será responsable de daños incidentales, indirectos o contingentes o gastos que surjan, de manera directa o indirecta, de cualquier defecto del Calentador o del uso del mismo. El Fabricante no será responsable por daños ocasionados por el agua o cualquier otro daño a la propiedad del Propietario que surja, de manera directa o indirecta, de cualquier defecto del Calentador o del uso del mismo. Solo el Fabricante está autorizado a conceder todas las garantías en representación del Fabricante, y ninguna declaración o garantía realizada por cualquier otra parte será vinculante para el Fabricante.

El Fabricante no será responsable de ningún daño relacionado o causado por:

1. cualquier uso indebido o falta de cuidado del Calentador, cualquier accidente que afecte al Calentador, cualquier alteración al Calentador, o cualquier otro uso incorrecto;
2. casos fortuitos o circunstancias sobre las cuales el Fabricante no tiene control;
3. instalación del Calentador que se desvíe de las directivas del Fabricante o no observe los códigos de

construcción pertinentes;

4. negligencia en cuanto a mantener el Calentador u operar el Calentador según las especificaciones del Fabricante;
5. hacer funcionar el Calentador en condiciones de presión de agua fluctuante o en caso de que el Calentador se alimente de agua no potable durante un período de cualquier duración;
6. instalación defectuosa y/o uso de materiales inapropiados por parte de cualquier instalador y que no se relacione con defectos en los repuestos o la mano de obra del Fabricante;
7. mover el Calentador de su lugar original de instalación;
8. exposición a condiciones de congelamiento;
9. los problemas de calidad del agua, como el agua corrosiva, el agua dura y agua contaminada con contaminantes o aditivos;

Si el Propietario desea devolver el Calentador al Fabricante para su reparación o reemplazo bajo esta garantía, el Propietario debe obtener primero la autorización por escrito del Fabricante. El Propietario deberá presentar una prueba de compra, incluida la fecha de compra, y será responsable de los costos de desinstalación y transporte. Si el Propietario no puede demostrar una fecha de compra, esta garantía se limitará al período que comienza a partir de la fecha de compra impresa en el Calentador. El Fabricante se reserva el derecho de negar la cobertura de esta garantía después de examinar el Calentador. Esta garantía se limita al Propietario y es intransferible.

Algunos Estados y Provincias no permiten la exclusión o limitación de ciertas Garantías. En dichos casos, las limitaciones aquí expresadas pueden no aplicarse al Propietario. En dichos casos esta Garantía se limitará al período más corto y las menores cifras de daños permitidas por ley. Esta Garantía le da derechos legales específicos y puede que usted tenga otros derechos que variarán de Estado a Estado y de Provincia a Provincia.

El Propietario será responsable de todos los costos de mano de obra y otros cargos incurridos al retirar o reparar el Calentador en el lugar de instalación. Por favor obsérvese que el Calentador debe instalarse de tal manera que, en caso de pérdida, el flujo de agua de la pérdida no dañe el lugar en que está instalado.



La compañía no acepta responsabilidad alguna por la falla de cualquier artículo suministrado que no haya sido instalado y operado de acuerdo con las instrucciones del fabricante.



La instalación, conexión eléctrica y primera operación de este artefacto debe ser realizada por un instalador calificado.

Medioambiente y reciclaje

Por favor ayúdenos a proteger el medioambiente eliminando el embalaje en concordancia con la normativa nacional para el tratamiento de residuos.

Esta Garantía solo es válida en Estados Unidos y Canadá. Las garantías pueden variar de un país a otro. Consulte a su representante de Stiebel Eltron local para conocer la Garantía correspondiente a su país.

UTILISATION

1.	Informations générales	2
2.	Sécurité	2
2.1	Utilisation conforme	2
2.2	Informations générales	2
2.3	Précautions de sécurité	3
2.4	Label de conformité	3
3.	Inscrivez votre produit	3
4.	Généralités	4
4.1	Apparence générale	4
4.2	Tempra B dispositif	4

INSTALLATION

5.	Configuration de l'installation	5
6.	Montage de l'appareil	5
7.	Raccords d'eau	6
8.	Raccordement électrique	6
8.1	Tracé du circuit	7
8.2	Connexion de circuit	8
8.3	Bloc de câblage	8
9.	Premiers réglages	8
10.	Mise en service du chauffe-eau	9
11.	Entretien de routine	9
12.	Dépannage	10
13.	Caractéristiques techniques	10
13.1	Tempra B	10
13.2	Tempra Plus	11
13.3	Montée en température au-dessus de la température d'eau ambiante	12
13.4	Dimensions	13
13.5	Schéma de câblage	14
14.	Pièces de rechange	15
15.	Garantie	16

UTILISATION

1. Informations générales

Veillez lire ce manuel dans son intégralité. Le non-respect des directives contenues dans les guides, les instructions et les règlements pourrait entraîner des dégâts matériels ou des blessures. Des installations, réglages, modifications, entretiens et utilisations non conformes de cet appareil pourraient provoquer des blessures graves.

Cet appareil doit être installé par un électricien et un plombier agréés. L'installation doit se faire conformément aux codes de l'électricité et de la plomberie en vigueur au niveau national, provincial et local. Il incombe à l'installateur de veiller à ce que l'installation soit faite correctement. Le non-respect des directives d'installation et du mode d'emploi, ou une utilisation incorrecte aura pour effet d'annuler la garantie.

Conserver ces instructions pour consultation ultérieure. L'installateur doit laisser ces instructions au consommateur.

Pour toute question relative à l'installation, l'utilisation ou le fonctionnement de ce chauffe-eau, ou si vous avez besoin de manuels d'installation supplémentaire, veuillez vous adresser à notre service technique en composant le (800) 582-8423 (Canada et États-Unis uniquement). Si vous appelez depuis un pays autre que le Canada ou les États-Unis, veuillez composer le USA 413-247-3380 et nous vous mettrons en contact avec un centre d'entretien Stiebel Eltron agréé situé dans votre région.



Symbole d'alerte à la sécurité. Il sert à vous avertir qu'il existe un danger de blessure potentiel. Respectez tous les messages relatifs à la sécurité mentionnés après ce symbole pour éviter la possibilité de blessure, voire de décès.

2. Sécurité

Respectez les consignes suivantes et les prescriptions de sécurité, N'utilisez cet appareil que s'il est complètement installé et doté de tous les dispositifs de sécurité,

2.1 Utilisation conforme

L'appareil est destiné au chauffage de l'eau sanitaire et peut alimenter plusieurs points de soutirage,

Toute utilisation dépassant ces spécifications est considérée comme non conforme,

Le respect de la présente notice faite également partie de l'utilisation conforme de cet appareil,

2.2 Informations générales

Lisez la notice en sa totalité, La non-observation de toutes les directives, notices et réglementations peut entraîner des blessures corporelles et/ou des dégâts matériels, Une installation, un paramétrage, une modification ou une maintenance effectuée de manière incorrecte sur cet appareil peut entraîner des blessures très importantes,

TABLE DES MATIÈRES | UTILISATION

INSCRIVEZ VOTRE PRODUIT

Cet appareil doit être installé par un installateur agréé, L'installation doit satisfaire à toutes les prescriptions nationales, régionales et locales, L'installateur est responsable de la réalisation correcte de l'installation, La non-observation de la notice d'installation et d'emploi ou toute installation non-conforme invalide la garantie,

Conservez la présente notice pour consultation ultérieure, L'installateur doit remettre cette notice à l'utilisateur,

En cas de questions à propos de l'installation, de l'utilisation et de l'exploitation de ce préparateur d'eau chaude sanitaire, ou bien si vous avez besoin de manuels d'installation supplémentaires, merci de contacter le numéro de téléphone de l'assistance technique (800) 582-8423.

2.3 Précautions de sécurité



DANGER Blessure

Lisez et respectez la présente notice, Le non-observation de cette notice peut entraîner des blessures très graves, voire la mort,



Domages sur l'appareil et sur l'environnement

L'appareil doit être installé par un installateur agréé, L'installation doit satisfaire à toutes les prescriptions nationales, régionales et locales, La maintenance de l'appareil doit être effectuée par un installateur qualifié,



DANGER Électrocution

Avant d'effectuer les travaux d'installation, de paramétrage, de modification ou de maintenance sur cet appareil, coupez tous les disjoncteurs et sectionneurs de l'alimentation électrique de l'appareil, La non-observation de ces consignes peut entraîner des blessures très graves, voire la mort.



DANGER Électrocution

Ne retirez le capot de l'appareil qu'une fois l'alimentation électrique de l'appareil coupée, La non-observation de cette consigne peut entraîner des blessures, voire la mort.



DANGER Électrocution

L'appareil doit être relié correctement à la terre, L'absence de liaison à la terre du produit peut entraîner des blessures très graves, voire la mort.



DANGER Brûlures

L'eau à des températures supérieures à 52 °C (125 °F) peut entraîner des brûlures immédiates graves, voire la mort par ébullition, Le danger d'ébullition par eau brûlante existe lorsque le thermostat de l'appareil est sur un réglage trop élevé, Dans les foyers avec des enfants en bas âge, des personnes handicapées ou âgées, il peut être nécessaire de régler le thermostat sur 45 °C (113 °F) ou moins pour éviter les blessures dues à l'eau chaude.



AVERTISSEMENT Risque de blessures

Si des enfants ou des personnes aux capacités physiques, sensorielles ou mentales réduites sont autorisées à utiliser cet appareil, il convient de s'assurer qu'ils l'utilisent uniquement quand ils sont supervisés ou s'ils ont été instruits par la personne responsable de leur sécurité, Veillez à ce que les enfants ne jouent pas avec l'appareil.

2.4 Label de conformité

Voir la plaque signalétique de l'appareil,

3. Inscrivez votre produit



Remarque:

Vous devez inscrire votre produit dans les 90 jours qui suivent la date d'achat sur notre site internet pour activer la garantie normale ou pour pouvoir réclamer la garantie prolongée, Rendez-vous à notre site internet à l'adresse suivante : www.stiebel-eltron-usa.com et cliquez sur « Register Your Product » (inscrivez votre produit).

Avant de lancer le processus d'inscription, nous vous conseillons d'avoir à portée de main la documentation nécessaire, à savoir :

Modèle, Exemple : Tempra 24 Plus

Numéro apparaissant après « Nr, » (N°)

Lieu d'achat

Date d'achat

Prénom et nom de famille

Adresse courriel

Adresse postale

Numéro de téléphone

Date d'installation

En cas de questions à propos du processus d'inscription ou des options pour la garantie, veuillez contacter Stiebel Eltron USA directement en composant le (800) 582-8423.

4. Généralités



DANGER: Les températures de l'eau supérieures à 52 °C (125 °F) peuvent provoquer des brûlures graves instantanées, voire mortelles en cas d'échaudage. Le risque d'échaudage par l'eau très chaude existe si le thermostat de l'appareil est réglé à une température trop élevée. Dans le cas de résidences avec de jeunes enfants, des personnes handicapées ou âgées, il est fortement conseillé de régler le thermostat à 49 °C (120 °F) ou moins pour éviter la possibilité de blessures provoquées par l'eau très chaude.

Les appareils Tempra B et Tempra Plus ont été conçus pour la production d'eau chaude dans une maison, un appartement ou pour répondre à certaines applications commerciales. Contrairement à un chauffe-eau conventionnel à accumulateur incorporé, le chauffe-eau Tempra sans réservoir ne stocke pas d'eau chaude mais la chauffe instantanément au fur et à mesure qu'elle s'écoule de l'appareil. Le chauffe-eau Tempra offre un meilleur rendement énergétique qu'un chauffe-eau à accumulateur en raison de l'absence des pertes à vide et de la réduction des tuyauteries d'eau chaude.

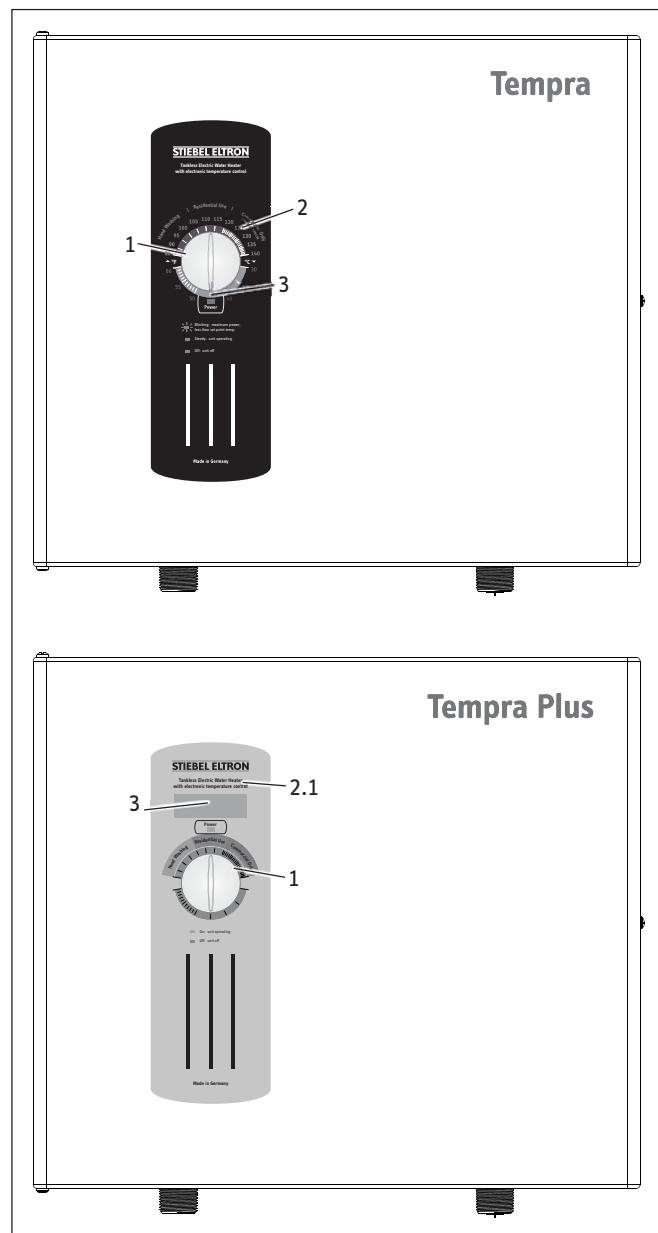
Le chauffage de l'eau est commandé électroniquement. Les Tempra fournissent de l'eau à des températures comprises entre 30 °C (86 °F) et 60 °C (140 °F). Réglez la température désirée avec le bouton de réglage qui se trouve sur la face avant. Le bouton de réglage de la température du Tempra Plus peut être réglé sur : ARRET, de 30 à 60 °C (de 86 à 140 °F).

Le Tempra possède une échelle de température en degrés °F et °C. La température de prélèvement d'eau du Tempra Plus est indiquée en degrés °F ou °C sur l'afficheur numérique. (Vous pouvez sélectionner l'unité de température °F ou °C en cours d'installation, réglages d'usine : °F). La température maximale est limitée électroniquement à 60 °C (140 °F).

Pour des raisons d'efficacité et de durée de vie (entartrage), la plage de réglage optimale de la température se situe entre 30 °C (86 °F) et 50 °C (120 °F).

La température de prélèvement du **Tempra Plus** peut être limitée.

4.1 Apparence générale



- 1 Bouton de réglage de la température
- 2 Echelle de température
- 2.1 Afficheur de température
- 3 Témoin Power (alimentation)

4.2 Tempra B dispositif

Si la LED « Power » (marche) clignote lorsque l'appareil fonctionne, le débit d'eau dépasse la capacité de chauffage de l'appareil. Réduisez le débit d'eau chaude afin que l'appareil atteigne la température de consigne.



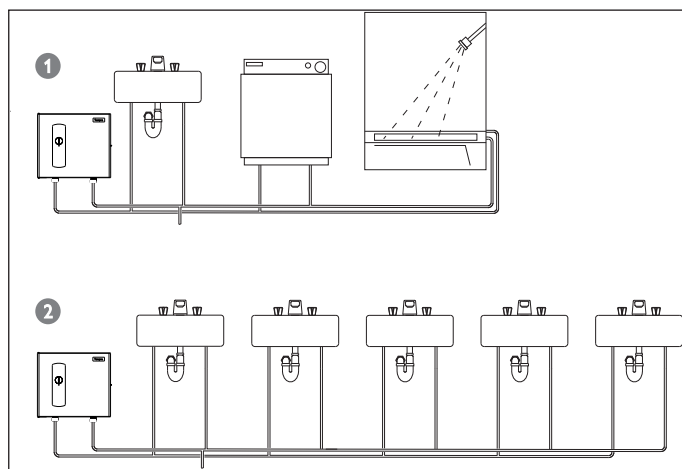
Si vous avez des questions relatives à l'utilisation des Tempra, appelez notre service technique au 800-582-8423 (USA et Canada). Pour le service SAV en dehors des Etats-Unis ou du Canada, veuillez appeler le 413-247-3380 pour les USA. Vous pouvez aussi nous envoyer un e-mail à l'adresse suivante : info@stiebel-eltron-usa.com ou une télécopie au 413-247-3369 pour les USA.

INSTALLATION

5. Configuration de l'installation

Le Tempra est conçu pour les applications suivantes.

- 1 Installation sanitaire typique des habitations
- 2 Installation sanitaire typique des locaux commerciaux



6. Montage de l'appareil



AVERTISSEMENT: L'appareil doit être installé en position verticale, raccords d'eau dirigés vers le bas. Ne pas installer l'appareil dans un endroit où il risque d'être régulièrement éclaboussé d'eau. Une électrocution pourrait se produire.

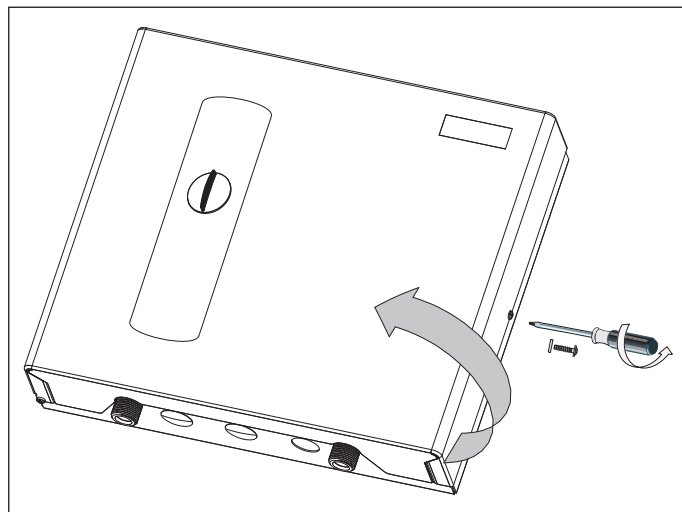
ATTENTION: Les canalisations d'écoulement d'eau chaude quittant l'appareil peuvent être chaudes au toucher. Il faut isoler les canalisations d'écoulement d'eau chaudes situées à moins de 91 cm (36 po) à cause du risque de brûlures encouru par les enfants.

AVIS: Cet appareil ne doit pas être installé à un endroit susceptible d'être exposé au gel (températures inférieures à 2 °C [36 °F]). Si l'appareil risque d'être exposé au gel, il faut purger toute l'eau de l'appareil. Le non-respect de cette directive annule toutes les garanties.

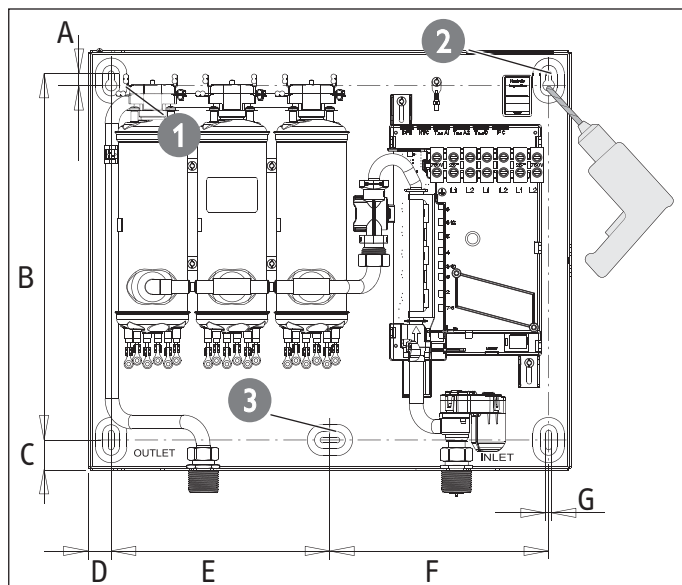
L'appareil doit être situé dans un endroit où les fuites d'eau provenant de l'appareil ou des franchements ne risquent pas d'entraîner des dommages à son environnement immédiat. Si l'installation ne peut avoir lieu ailleurs, il est conseillé d'installer un bac de récupération sous l'appareil.

1. Installez le Tempra le plus près possible des points principaux de prélèvement d'eau chaude.
2. Installez le Tempra dans un local à l'abri du gel. En cas de risque de gel, déposez l'appareil avant l'arrivée du gel.
3. Laissez un espace minimum de 10 cm environ de chaque côté pour l'entretien.

4. Enlevez la vis du capot avec un tournevis #2 Posi-drive et ouvrez le capot.



5. Fixez l'appareil au mur solidement en plaçant au moins trois vis dans les trous de fixation 1 2 3. Les vis et les pièces d'ancrage au mur en plastique pour montage dans un ouvrage en maçonnerie ou en bois sont fournies.



Dimensions

A	$\frac{3}{8}$ " / 10 mm
B	$12\frac{1}{2}$ " / 318 mm
C	1" / 26 mm
D	$\frac{3}{4}$ " / 19.5 mm
E	$7\frac{1}{2}$ " / 190 mm
F	$7\frac{1}{2}$ " / 190 mm
G	$\frac{3}{16}$ " / 5 mm

7. Raccords d'eau



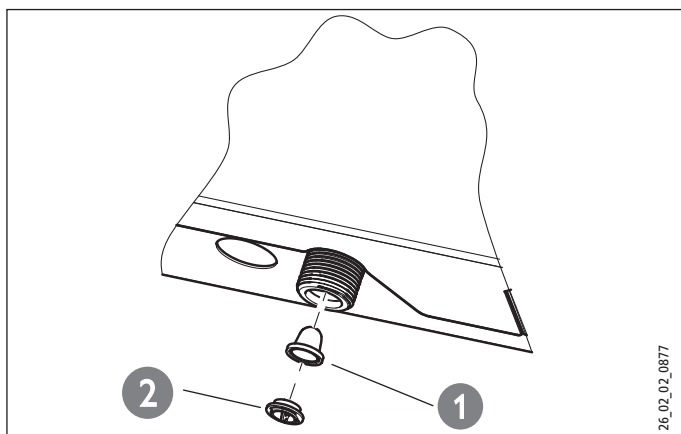
AVIS: Une chaleur excessive due au soudage des tuyauteries en cuivre à proximité du tempra peut endommager l'appareil.

Le branchement d'eau froide vers l'appareil doit être déconnecté régulièrement pour nettoyer l'écran du filtre. Il est nécessaire d'utiliser des raccords d'eau qui puissent se déconnecter facilement comme des raccords flexibles en acier tressé.



AVIS: L'eau dure ou l'eau avec une teneur élevée en minéraux peut endommager l'appareil. Les dégâts causés par le tartre ou une teneur élevée en minéraux ne sont pas couverts par la garantie.

1. Tous les travaux de plomberie doivent être réalisés conformément aux réglementations nationales, régionales et locales applicables.
2. Un réducteur de pression doit être installé si la pression de l'alimentation en eau froide est supérieure à 150 PSI (10 bars).
3. Vérifiez que la tuyauterie d'arrivée d'eau froide a bien été rincée pour enlever les dépôts ou les saletés.
4. Les Tempra comportent aussi un filtre crépine **1** à nettoyer de temps en temps. Nettoyez le filtre crépine puis remettre le filtre et la rondelle **2** en place.



5. Le raccord d'eau froide (arrivée) se trouve sur la droite de l'appareil et le raccord d'eau chaude (prélèvement) du côté gauche.



NOTICE: Il n'est pas nécessaire d'équiper un chauffe-eau sans réservoir comme Tempra d'une soupape de sécurité de pression et de température (P&T). Si le contrôleur local n'agrée pas l'installation sans soupape P&T, il est possible d'en installer une du côté prélèvement de l'eau chaude sur l'appareil.

6. Le Tempra est conçu pour un raccordement sur tuyauterie en cuivre, en PEX ou sur flexible en acier inoxydable tressé avec filetage conique femelle 3/4" NPT. S'il faut souder près de l'appareil, tenir la flamme éloignée de l'enveloppe de l'appareil pour éviter toute détérioration.



Le branchement d'eau froide vers l'appareil doit être déconnecté régulièrement pour nettoyer l'écran du filtre. Il est nécessaire d'utiliser des raccords d'eau qui puissent se déconnecter facilement comme des raccords flexibles en acier tressé.

8. Lorsque tous les travaux de plomberie sont achevés, contrôlez l'absence de fuite et exécutez les mesures correctives avant de poursuivre.

8. Raccordement électrique



AVERTISSEMENT: Avant toute intervention sur l'installation électrique, vérifiez que les interrupteurs du panneau de disjoncteurs principaux sont sur « arrêt » afin de prévenir tout risque d'électrocution. Tous les travaux de montage et de plomberie doivent être achevés avant de procéder au branchement électrique. Les circuits doivent être équipés d'un interrupteur différentiel si les réglementations nationales, régionales ou locales en matière d'installation électrique l'exigent.

AVERTISSEMENT: Comme avec tout appareil électrique, des défauts de mise à la terre électriques peuvent entraîner des lésions graves ou mortelles.

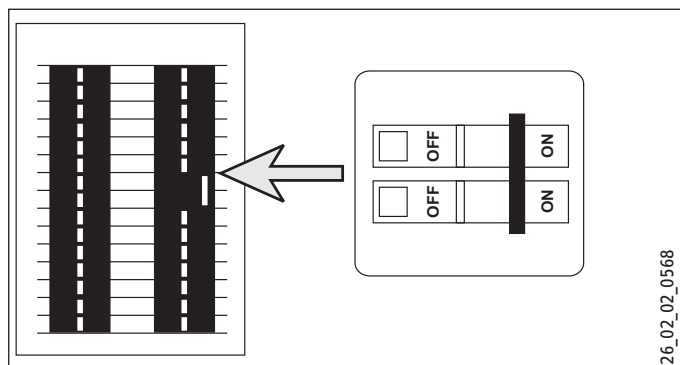
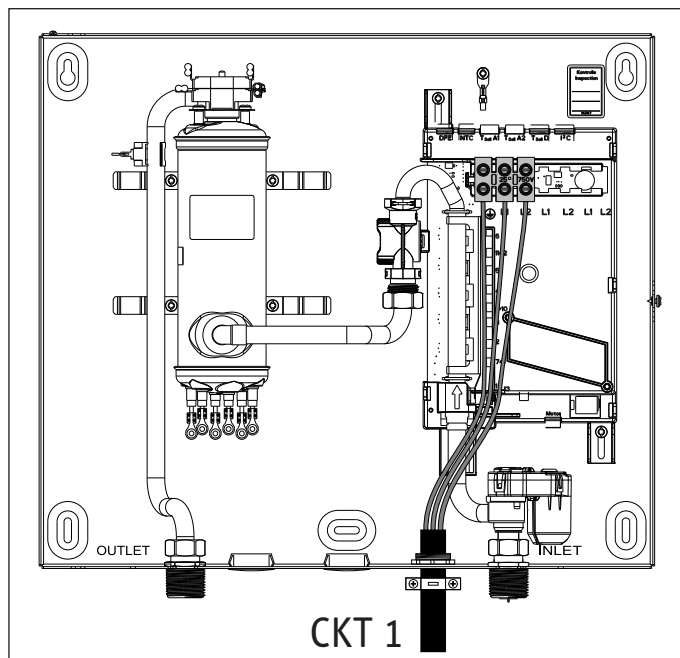
Tous les travaux électriques doivent être réalisés conformément aux réglementations nationales, régionales et locales applicables. Le Tempra doit être raccordé à un circuit de dérivation relié à la terre et présentant la tension assignée requise. La terre doit être connectée à la borne « Ground » du tableau de disjoncteur.

INSTALLATION

RACCORDEMENT ÉLECTRIQUE

8.1 Tracé du circuit

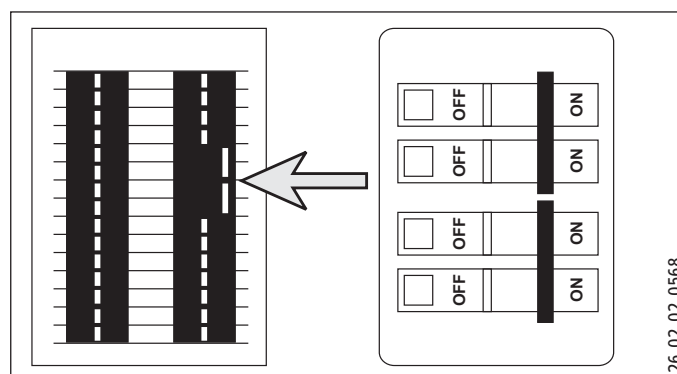
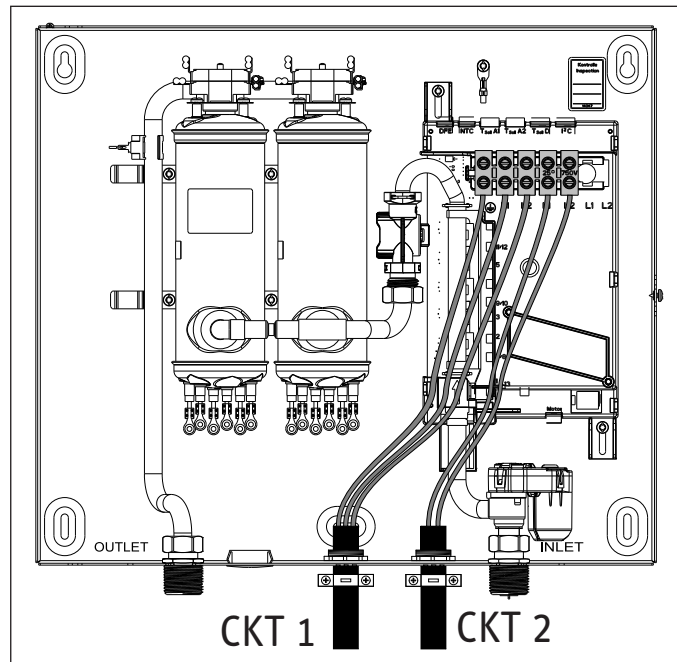
8.1.1 Tempra/Tempra 12 Plus



Tempra/Tempra 12 Plus

Ces appareils peuvent être connectés à un circuit simple. Utilisez un câble d'alimentation protégé par un disjoncteur bipolaire.

8.1.2 Tempra/Tempra 15, 20 ou 24 Plus



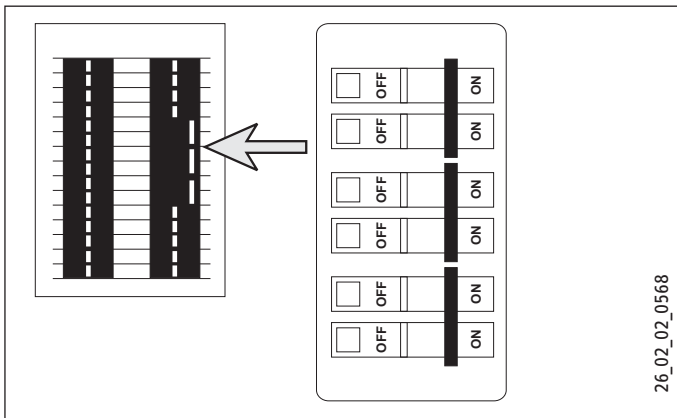
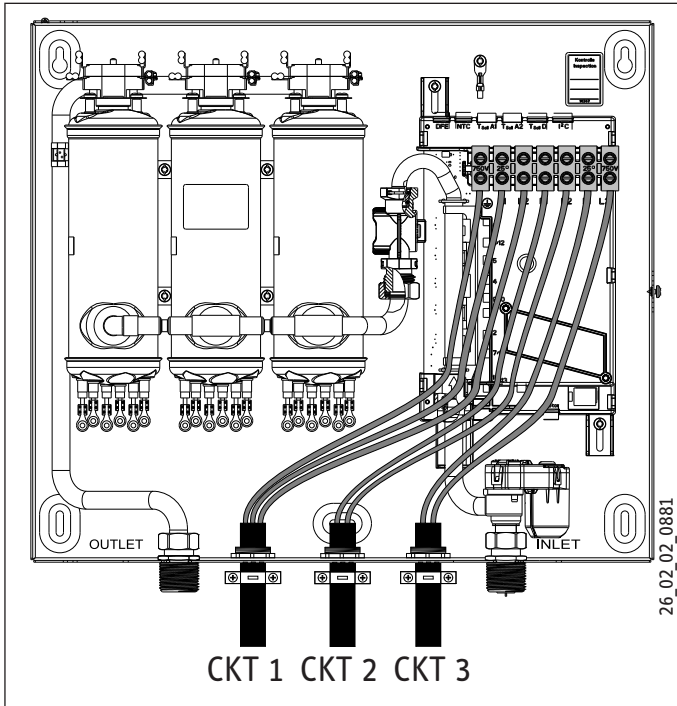
Tempra/Tempra 15, 20 ou 24 Plus

Ces appareils exigent deux circuits indépendants. Utilisez deux câbles d'alimentation protégés par deux disjoncteurs bipolaires distincts.

INSTALLATION

PREMIERS RÉGLAGES

8.1.3 Tempra 29 ou 36 B/Plus



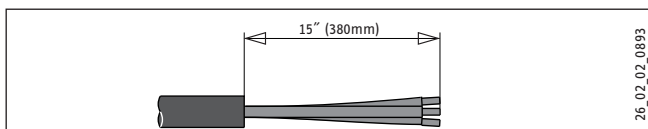
Tempra 29 ou 36 B/Plus

Ces appareils exigent trois circuits indépendants. Utilisez trois câbles d'alimentation protégés par trois disjoncteurs bipolaires distincts. Le Tempra 15 à 36 doit posséder plusieurs sources d'alimentation.

8.2 Connexion de circuit

Pour les sections de câbles et la taille de disjoncteur requise, consultez les caractéristiques techniques. Dans tous les cas, assurez-vous de la mise à la terre adéquate de l'appareil.

1. Coupez à la longueur désirée le câble de raccordement électrique et dénudez l'extrémité.



2. Le câble doit être inséré par les passages prévus situés entre les raccords d'eau froide et d'eau chaude. Les fils sous tension doivent être connectés aux bornes L1 et L2 du bloc de jonction. Le conducteur de mise à la terre doit être connecté à la borne pourvue du symbole de terre.

8.3 Bloc de câblage

Il est recommandé d'utiliser du fil multibrin pour la connexion à la plaque à bornes. Pour assurer une bonne connexion, serrez une bague sur les fils multibrins nus,

Consultez le tableau ci-dessous pour connaître la pression de serrage recommandée pour les vis de la plaque à bornes,

Diamètre de vis (mm)	Torque (N•cm)	Torque (Lbf•in)
2,8	30-40	2,65-3,54
2,8-3	35-50	3,09-4,42
3-3,2	50-60	4,42-5,31
3,2-3,6	60-80	5,31-7,08
3,6-4,1	90-120	7,96-10,62
4,1-4,7	120-180	10,62-15,93
4,7-5,3	150-200	13,27-17,7

Utiliser la pression de serrage appropriée pour fixer les fils au bloc de câblage contribue à prévenir la perte de biens personnels et les dommages à la propriété.

Consultez les tableaux de la section „13. Caractéristiques techniques“ à la page 40 pour connaître le calibre recommandé pour les fils.

9. Premiers réglages

Vérifiez si le câble du générateur de valeurs de consigne est bien connecté sur $T_{soll} A1$ (Tempra B) ou $T_{soll} D$ (Tempra Plus) sur le système électronique principal.

1 Sélection de °F ou °C sur l'appareil

- Placez un cavalier sur le circuit imprimé pour les températures en °F ou °C.

2 Activation de la fonction anti-brûlure

Tempra Plus possède une fonction anti-brûlure pouvant être activée de deux manières.

1. Limitez à une valeur fixe la température de l'eau qui s'écoule (109 °F (43 °C).

- Insérez le codeur en position de température réduite Tred.

2. Réglez selon vos souhaits la température de l'eau qui s'écoule

- Mettez l'appareil sous tension.

- Ouvrez le boîtier pour accéder aux codeurs T_{max} / T_{red} .

- Placez le bouton de réglage de la température sur OFF. Le codeur doit être inséré sur T_{max} (configuration usine).

- Insérez le codeur sur T_{red} ; le mode de réglage est activé, l'afficheur qui clignote indique la valeur de la limitation de température actuellement appliquée.

- Vous pouvez régler la température souhaitée dans les 30 secondes qui suivent (l'afficheur continue de clignoter). Le système quittera le mode de réglage au bout de 30 secondes et l'unité de commande indiquera de nouveau OFF.

10. Mise en service du chauffe-eau



AVERTISSEMENT: Ouvrez le robinet d'eau chaude pendant quelques minutes jusqu'à ce que le débit soit constant et que l'air dans les tuyauteries soit purgé. Le capot de l'appareil doit être remonté avant d'enclencher les disjoncteurs.

1. Fermez le capot et fixez-le avec le disque interrupteur avec la vis.
2. Enclenchez les disjoncteurs pour mettre l'appareil sous tension.
3. Tournez le sélecteur de température dans le sens horaire et dans le sens anti-horaire pour calibrer le transmetteur de valeur de consigne.
4. Réglez la température de l'eau comme vous le souhaitez à l'aide du bouton placé à l'avant de l'appareil.
5. Ouvrez l'eau chaude et attendez vingt secondes que la température se stabilise.
6. Contrôlez la température de l'eau avec la main pour vous assurer que ce ne soit pas trop chaud. Baissez la température si besoin est.
7. Expliquez le fonctionnement de l'appareil à l'utilisateur et faites en sorte qu'il se familiarise avec son utilisation. Informez l'utilisateur des risques éventuels (température de l'eau chaude jusqu'à 140 °F / 60 °C). Remettez les présentes instructions qui doivent être conservées pour toute référence ultérieure.

11. Entretien de routine



Les Temptra ne comportent pas de pièces nécessitant l'intervention d'une personne non spécialiste. En cas de dysfonctionnement, prenez contact avec un artisan plombier ou électricien agréé.

Les chauffe-eau Stiebel Eltron Temptra sans réservoir sont conçus pour une très longue durée de vie. La durée de vie effective varie en fonction de la qualité de l'eau et de l'utilisation. L'appareil lui-même ne nécessite aucun entretien régulier. Toutefois, pour assurer un débit d'eau constant, il est recommandé d'enlever régulièrement les saletés et les dépôts qui pourraient se former dans le brise-jet du ou des robinets ou dans la tête de douche.

12. Dépannage

Síntoma	Cause possible	Solution
L'eau n'est pas chaude	- les disjoncteurs sont coupés - l'interrupteur thermique de sécurité déclenché - débit insuffisant pour activer l'appareil	- enclenchez les disjoncteurs - réinitialisez l'interrupteur thermique de sécurité - nettoyez le filtre crépine de l'appareil - nettoyez le brise-jet du robinet ou la pomme de douche
Il n'y a pas assez d'eau chaude	- le filtre crépine est obstrué	- nettoyez le filtre crépine de l'appareil.
L'eau n'est pas suffisamment chaude	- le débit d'eau est trop élevé - la tension est trop faible	- réduisez le débit d'eau jusqu'à ce que le témoin arrête de clignoter sur le capot frontal - alimentez l'appareil avec la tension adéquate

Si vous êtes incapable de résoudre un problème, contactez-nous au numéro gratuit 800-582-8423 avant de déposer l'appareil du mur. Stiebel Eltron est heureux de vous proposer une assistance technique. Dans la plupart des cas, nous pouvons résoudre le problème par téléphone.

13. Caractéristiques techniques

13.1 Tempra B

	Tempra 12 B	Tempra 15 B	Tempra 20 B	Tempra 24 B ³	Tempra 29 B ⁴	Tempra 36 B ⁵
Réf. commande	223420	223421	223422	223424	232885	232886
Données électriques						
	monophasé 50/60		monophasé ⁶ 50/60		monophasé ⁶ 50/60	
Phase	Hz		Hz		Hz	
Tension	240 V 208 V	240 V 208 V	240 V 208 V	240 V 208 V	240 V 208 V	240 V 208 V
Puissance	12 kW 9 kW	14.4 kW 10.8 kW	19.2 kW 14.4 kW	24 kW 18 kW	28.8 kW 21.6 kW	36 kW 27 kW
Charge maximale	1 x 50 A 1 x 44 A	2 x 30 A 2 x 26 A	2 x 40 A 2 x 35 A	2 x 50 A 2 x 44 A	3 x 40 A 3 x 35 A	3 x 50 A 3 x 44 A
Taille requise disjoncteur ¹ (bipolaire)	1 x 50 A		2 x 30 A		2 x 40 A 2 x 35 A	
Raccord électrique	1/N/GRD		2/GRD		2/GRD	
Taille de câble requise, cuivre ²	1 x 6/2 AWG		2 x 10/2 AWG		2 x 8/2 AWG	
Raccordements						
Raccord hydraulique	3/4" NPT					
Température eau froide max.	108°F / 42°C					
Données hydrauliques						
Capacité nominale	0.13 gal / 0.5 l	0.26 gal / 1.0 l	0.26 gal / 1.0 l	0.26 gal / 1.0 l	0.39 gal / 1.5 l	0.39 gal / 1.5 l
Valeurs						
Marche	1.4 l/min	1.9 l/min	1.9 l/min	1.9 l/min	2.9 l/min	2.9 l/min
Marche	0.37 GPM	0.5 GPM	0.5 GPM	0.5 GPM	0.77 GPM	0.77 GPM
Température d'arrivée max. admissible	131°F / 55°C					
Limites d'utilisation						
Pression maxi. admissible	150 PSI / 1.0 MPa					
Pression d'essai	300 PSI / 2.0 MPa					
Fabrication						
Indicateur de température	numérique					
Cache et panneau arrière	tôle d'acier					
Couleur	gris					
Dimensions						
Hauteur	14.52 in / 369 mm					
Largeur	16.54 in / 420 mm					
Profondeur	4.61 in / 117 mm					
Poids						
Poids	13.5 lbs / 6.1 kg	16.1 lbs / 7.3 kg	16.1 lbs / 7.3 kg	16.1 lbs / 7.3 kg	19 lbs / 8.6 kg	19 lbs / 8.6 kg

¹ Ceci est notre recommandation pour la protection de surintensité à 100% de la charge. Vérifiez les codes locaux de la conformité si nécessaire. Les chauffe-eau sans réservoir sont considérés comme une charge non continue.

² Le cuivre doit être utilisé. Les conducteurs doivent être choisis pour maintenir une baisse de tension inférieure à 3% sous tension.

³ Exige une alimentation secteur de 150 A.

⁴ Exige une alimentation secteur de 200 A.

⁵ Exige une alimentation secteur de 300 A.

⁶ 29/29 Plus et 36/36 Plus peut être câblé pour un système triphasé équilibré de tension 208V.

15/15 Plus, 20/20 Plus, 24/24 Plus peut être câblé pour un système triphasé déséquilibré de tension 208V.

INSTALLATION

CARACTÉRISTIQUES TECHNIQUES

13.2 Tempra Plus

	Tempra 12 Plus		Tempra 15 Plus		Tempra 20 Plus		Tempra 24 Plus ³		Tempra 29 Plus ⁴		Tempra 36 Plus ⁵	
Réf. commande	224196		224197		224198		224199		223425		223426	
Données électriques												
Phase	monophasé 50/60 Hz		monophasé ⁶ 50/60 Hz		monophasé ⁶ 50/60 Hz		monophasé ⁶ 50/60 Hz		monophasé ⁶ 50/60 Hz		monophasé ⁶ 50/60 Hz	
Tension	240 V	208 V	240 V	208 V	240 V	208 V	240 V	208 V	240 V	208 V	240 V	208 V
Puissance	12 kW	9 kW	14.4 kW	10.8 kW	19.2 kW	14.4 kW	24 kW	18 kW	28.8 kW	21.6 kW	36 kW	27 kW
Charge maximale	1 x 50 A	1 x 44 A	2 x 30 A	2 x 26 A	2 x 40 A	2 x 35 A	2 x 50 A	2 x 44 A	3 x 40 A	3 x 35 A	3 x 50 A	3 x 44 A
Taille requise disjoncteur ¹ (bipolaire)	1 x 50 A		2 x 30 A		2 x 40 A		2 x 50 A		3 x 40 A		3 x 50 A	
Raccord électrique	1/N/GRD		2/GRD		2/GRD		2/GRD		3/GRD		3/GRD	
Taille de câble requise, cuivre ²	1 x 6/2 AWG		2 x 10/2 AWG		2 x 8/2 AWG		2 x 6/2 AWG		3 x 8/2 AWG		3 x 6/2 AWG	
Raccordements												
Raccord hydraulique	3/4" NPT											
Température eau froide max.	108°F / 42°C											
Données hydrauliques												
Capacité nominale	0.13 gal / 0.5 l		0.26 gal / 1.0 l		0.26 gal / 1.0 l		0.26 gal / 1.0 l		0.39 gal / 1.5 l		0.39 gal / 1.5 l	
Valeurs												
Marche	1.4 l/min		1.9 l/min		1.9 l/min		1.9 l/min		2.9 l/min		2.9 l/min	
Marche	0.37 GPM		0.5 GPM		0.5 GPM		0.5 GPM		0.77 GPM		0.77 GPM	
Température d'arrivée max. admissible	131°F / 55°C											
Limites d'utilisation												
Pression maxi. admissible	150 PSI / 1.0 MPa											
Pression d'essai	300 PSI / 2.0 MPa											
Fabrication												
Indicateur de température	numérique											
Cache et panneau arrière	tôle d'acier											
Couleur	gris											
Dimensions												
Hauteur	14.52 in / 369 mm											
Largeur	16.54 in / 420 mm											
Profondeur	4.61 in / 117 mm											
Poids												
Poids	13.5 lbs / 6.1 kg		16.1 lbs / 7.3 kg		16.1 lbs / 7.3 kg		16.1 lbs / 7.3 kg		19 lbs / 8.6 kg		19 lbs / 8.6 kg	

¹ Ceci est notre recommandation pour la protection de surintensité à 100% de la charge. Vérifiez les codes locaux de la conformité si nécessaire.

Les chauffe-eau sans réservoir sont considérés comme une charge non continue.

² Le cuivre doit être utilisé. Les conducteurs doivent être choisis pour maintenir une baisse de tension inférieure à 3% sous tension.

³ Exige une alimentation secteur de 150 A.

⁴ Exige une alimentation secteur de 200 A.

⁵ Exige une alimentation secteur de 300 A.

⁶ 29/29 Plus et 36/36 Plus peut être câblé pour un système triphasé équilibré de tension 208V.

15/15 Plus, 20/20 Plus, 24/24 Plus peut être câblé pour un système triphasé déséquilibré de tension 208V.

INSTALLATION

CARACTÉRISTIQUES TECHNIQUES

13.3 Montée en température au-dessus de la température d'eau ambiante

Température d'entrée d'eau froide	Débit d'eau chaude [GPM]						Débit d'eau chaude [l/m]						
	Température de sortie d'eau chaude 105°F						Température de sortie d'eau chaude 40°C						
	39°F	59°F	77°F	95°F	113°F	131°F	4°C	15°C	25°C	35°C	45°C	55°C	
Tempra 12 B / Tempra 12 Plus	9 kW @ 208 V	0.95	1.36	2.27	6.61	-	-	3.58	5.16	8.59	25.00	-	-
	12 kW @ 220-240 V	1.26	1.82	3.03	6.61	-	-	4.77	6.87	11.46	25.00	-	-
Tempra 15 B / Tempra 15 Plus	10.8 kW @ 208 V	1.14	1.63	2.72	6.61	-	-	4.30	6.19	10.31	25.00	-	-
	14.4 kW @ 220-240 V	1.51	2.18	3.63	6.61	-	-	5.73	8.25	13.75	25.00	-	-
Tempra 20 B / Tempra 20 Plus	14.4 kW @ 208 V	1.51	2.18	3.63	6.61	-	-	5.73	8.25	13.75	25.00	-	-
	19.2 kW @ 220-240 V	2.02	2.91	4.84	6.61	-	-	7.64	11.00	18.33	25.00	-	-
Tempra 24 B / Tempra 24 Plus	18 kW @ 208 V	1.89	2.72	4.54	6.61	-	-	7.16	10.31	17.18	25.00	-	-
	24 kW @ 220-240 V	2.52	3.63	6.05	6.61	-	-	9.55	13.75	22.91	25.00	-	-
Tempra 29 B / Tempra 29 Plus	21.6 kW @ 208 V	2.27	3.27	5.45	6.61	-	-	8.59	12.37	20.62	25.00	-	-
	28.8 kW @ 220-240 V	3.03	4.36	6.61	6.61	-	-	11.46	16.50	25.00	25.00	-	-
Tempra 36 B / Tempra 36 Plus	27 kW @ 208 V	2.84	4.09	6.61	6.61	-	-	10.74	15.47	25.00	25.00	-	-
	36 kW @ 220-240 V	3.78	5.45	6.61	6.61	-	-	14.32	20.62	25.00	25.00	-	-

Température d'entrée d'eau froide	Débit d'eau chaude [GPM]						Débit d'eau chaude [l/m]						
	Température de sortie d'eau chaude 113°F						Température de sortie d'eau chaude 45°C						
	39°F	59°F	77°F	95°F	113°F	131°F	4°C	15°C	25°C	35°C	45°C	55°C	
Tempra 12 B / Tempra 12 Plus	9 kW @ 208 V	0.83	1.14	1.70	3.41	6.61	-	3.14	4.30	6.44	12.89	25.00	-
	12 kW @ 220-240 V	1.11	1.51	2.27	4.54	6.61	-	4.19	5.73	8.59	17.18	25.00	-
Tempra 15 B / Tempra 15 Plus	10.8 kW @ 208 V	1.00	1.36	2.04	4.09	6.61	-	3.77	5.16	7.73	15.47	25.00	-
	14.4 kW @ 220-240 V	1.33	1.82	2.72	5.45	6.61	-	5.03	6.87	10.31	20.62	25.00	-
Tempra 20 B / Tempra 20 Plus	14.4 kW @ 208 V	1.33	1.82	2.72	5.45	6.61	-	5.03	6.87	10.31	20.62	25.00	-
	19.2 kW @ 220-240 V	1.77	2.45	3.63	6.61	6.61	-	6.71	9.16	13.75	25.00	25.00	-
Tempra 24 B / Tempra 24 Plus	18 kW @ 208 V	1.66	2.27	3.41	6.61	6.61	-	6.29	8.59	12.89	25.00	25.00	-
	24 kW @ 220-240 V	2.21	3.03	4.54	6.61	6.61	-	8.38	11.46	17.18	25.00	25.00	-
Tempra 29 B / Tempra 29 Plus	21.6 kW @ 208 V	1.99	2.72	4.09	6.61	6.61	-	7.54	10.31	15.47	25.00	25.00	-
	28.8 kW @ 220-240 V	2.66	3.63	5.45	6.61	6.61	-	10.06	13.75	20.62	25.00	25.00	-
Tempra 36 B / Tempra 36 Plus	27 kW @ 208 V	2.49	3.41	5.11	6.61	6.61	-	9.43	12.89	19.33	25.00	25.00	-
	36 kW @ 220-240 V	3.32	4.54	6.61	6.61	6.61	-	12.57	17.18	25.00	25.00	25.00	-

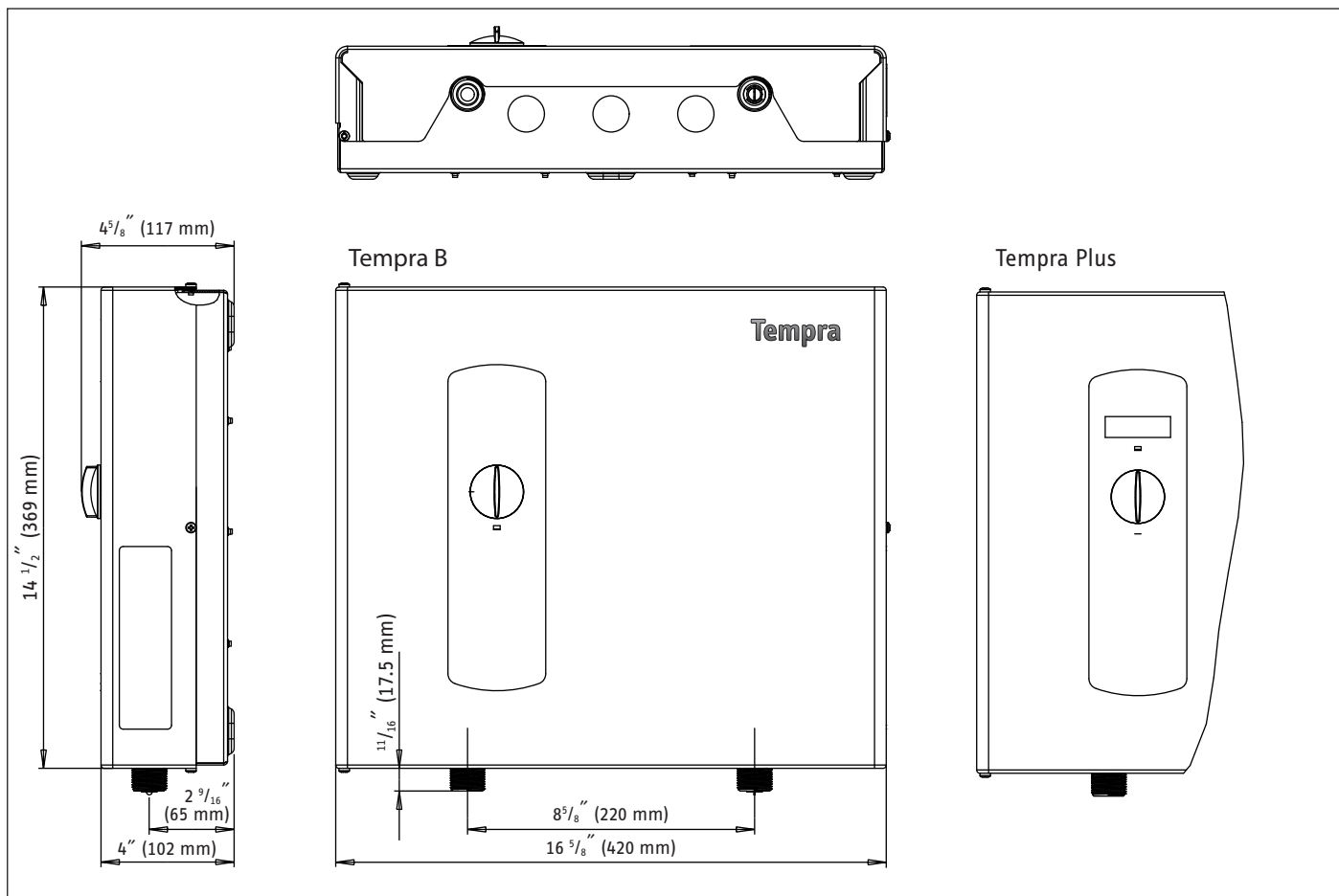
Température d'entrée d'eau froide	Débit d'eau chaude [GPM]						Débit d'eau chaude [l/m]						
	Température de sortie d'eau chaude 140°F						Température de sortie d'eau chaude 60°C						
	39°F	59°F	77°F	95°F	113°F	131°F	4°C	15°C	25°C	35°C	45°C	55°C	
Tempra 12 B / Tempra 12 Plus	9 kW @ 208 V	0.61	0.76	0.97	1.36	2.27	6.61	2.30	2.86	3.68	5.16	8.59	25.00
	12 kW @ 220-240 V	0.81	1.01	1.30	1.82	3.03	6.61	3.07	3.82	4.91	6.87	11.46	25.00
Tempra 15 B / Tempra 15 Plus	10.8 kW @ 208 V	0.73	0.91	1.17	1.63	2.72	6.61	2.76	3.44	4.42	6.19	10.31	25.00
	14.4 kW @ 220-240 V	0.97	1.21	1.56	2.18	3.63	6.61	3.68	4.58	5.89	8.25	13.75	25.00
Tempra 20 B / Tempra 20 Plus	14.4 kW @ 208 V	0.97	1.21	1.56	2.18	3.63	6.61	3.68	4.58	5.89	8.25	13.75	25.00
	19.2 kW @ 220-240 V	1.30	1.61	2.08	2.91	4.84	6.61	4.91	6.11	7.86	11.00	18.33	25.00
Tempra 24 B / Tempra 24 Plus	18 kW @ 208 V	1.22	1.51	1.95	2.72	4.54	6.61	4.60	5.73	7.36	10.31	17.18	25.00
	24 kW @ 220-240 V	1.62	2.02	2.59	3.63	6.05	6.61	6.14	7.64	9.82	13.75	22.91	25.00
Tempra 29 B / Tempra 29 Plus	21.6 kW @ 208 V	1.46	1.82	2.33	3.27	5.45	6.61	5.52	6.87	8.84	12.37	20.62	25.00
	28.8 kW @ 220-240 V	1.95	2.42	3.11	4.36	6.61	6.61	7.36	9.16	11.78	16.50	25.00	25.00
Tempra 36 B / Tempra 36 Plus	27 kW @ 208 V	1.82	2.27	2.92	4.09	6.61	6.61	6.90	8.59	11.05	15.47	25.00	25.00
	36 kW @ 220-240 V	2.43	3.03	3.89	5.45	6.61	6.61	9.21	11.46	14.73	20.62	25.00	25.00

INSTALLATION

CARACTÉRISTIQUES TECHNIQUES

13.4 Dimensions

Tempra / Tempra Plus



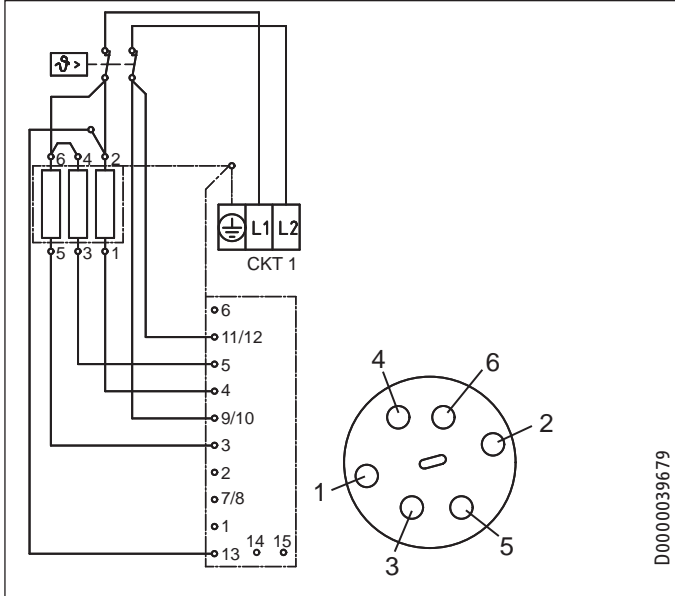
FRANÇAIS

INSTALLATION

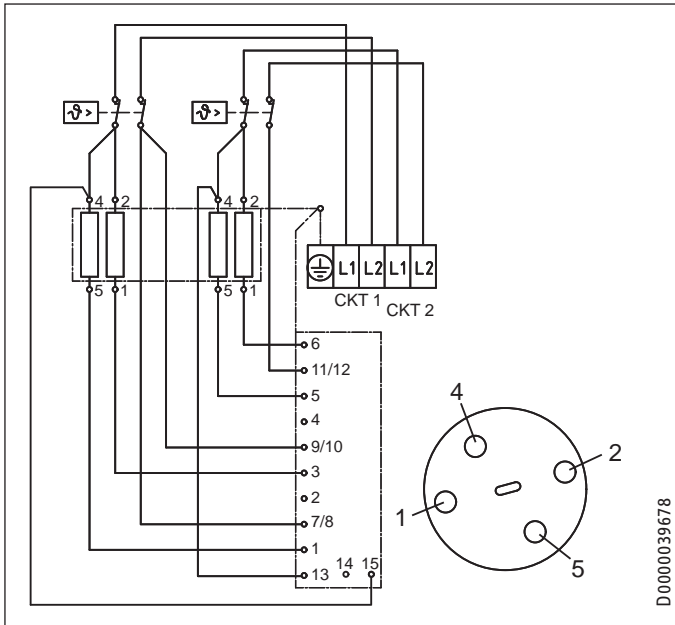
CARACTÉRISTIQUES TECHNIQUES

13.5 Schéma de câblage

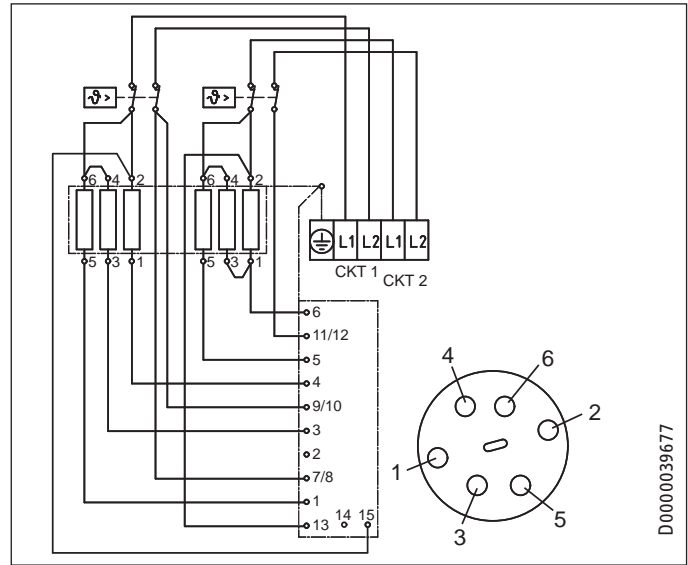
13.5.1 Tempra 12 B / Tempra 12 Plus



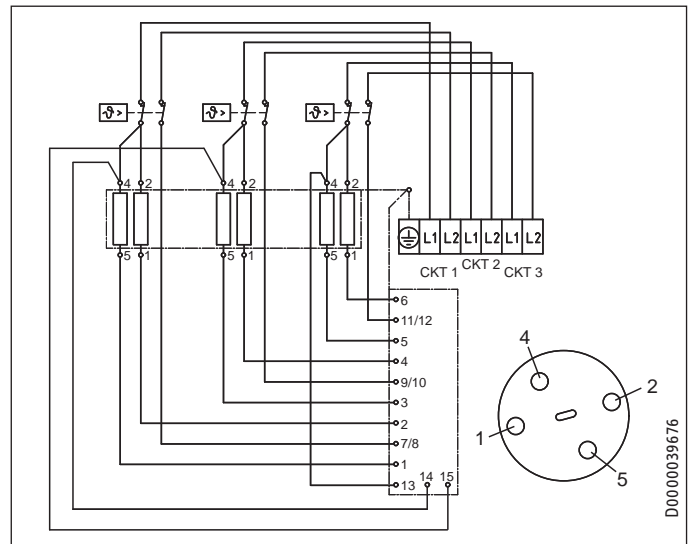
13.5.2 Tempra 15, 20 B / Tempra 15,20 Plus



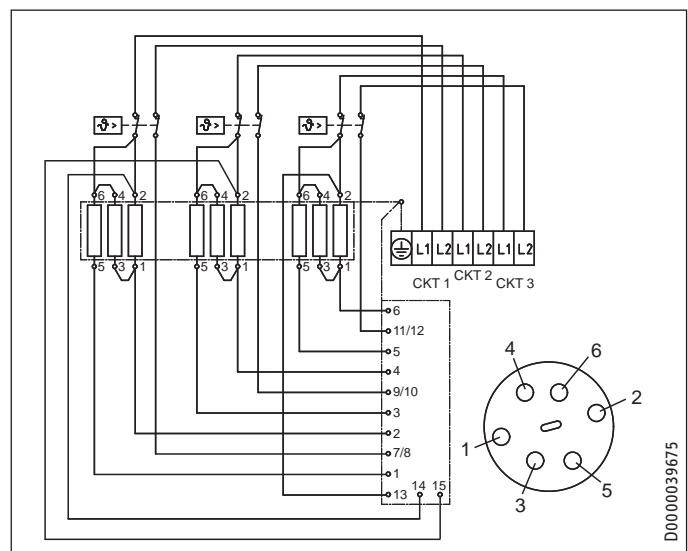
13.5.3 Tempra 24 B / Tempra 24 Plus



13.5.4 Tempra 29 B / Tempra 29 Plus



13.5.5 Tempra 36 B / Tempra 36 Plus

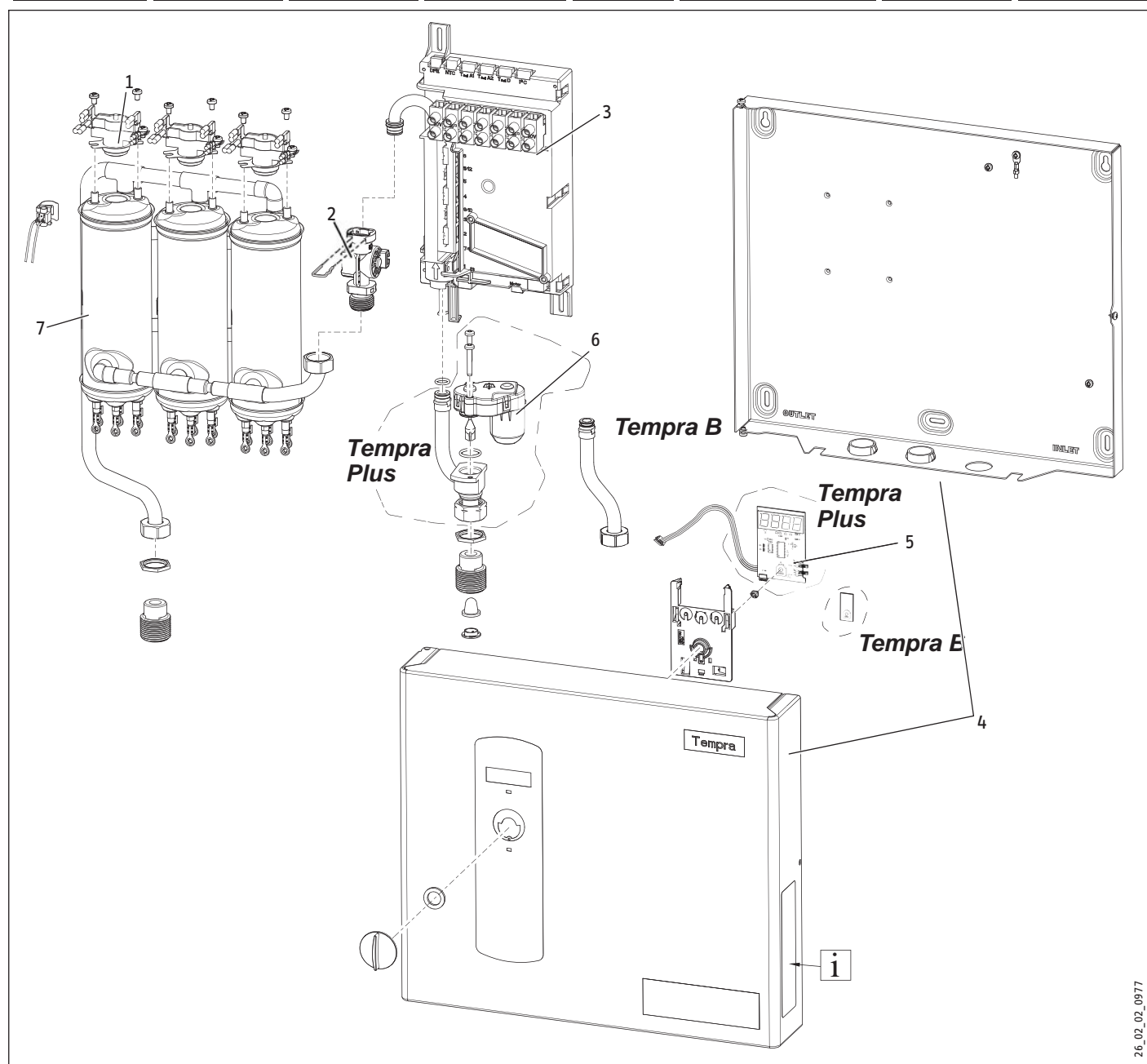


INSTALLATION

PIÈCES DE RECHANGE

14. Pièces de rechange

	N° Pièces de rechange						
	1	2	3	4	5	6	7
	Interrupteur thermique de sécurité	Capteur de débit	Unité de commande électronique	Boîtier	Electronic organe actionneur valeur de consigne	Vanne motorisée	Système de chauffage
Tempra 12 B	286369	286461	286366	286356	286359	---	286360
Tempra 15 B	286369	286461	286844	286356	286359	---	286361
Tempra 20 B	286369	286461	286844	286356	286359	---	286362
Tempra 24 B	286369	286461	286367	286356	286359	---	286364
Tempra 29 B	286369	286461	296888	286356	286359	---	286373
Tempra 36 B	286369	286461	296889	286356	286359	---	286374
Tempra 12 Plus	286369	286461	286375	286370	286372	220502	286360
Tempra 15 Plus	286369	286461	286845	286370	286372	220502	286361
Tempra 20 Plus	286369	286461	286845	286370	286372	220502	286362
Tempra 24 Plus	286369	286461	286376	286370	286372	220502	286364
Tempra 29 Plus	286369	286461	286378	286370	286372	220502	286373
Tempra 36 Plus	286369	286461	286379	286370	286372	220502	286374



15. Garantie

GARANTIE LIMITÉE

Sous réserve du respect des termes et conditions définis dans la présente garantie à vie limitée, Stiebel Eltron, Inc. (ci-après, le « Fabricant ») garantit à l'acheteur d'origine (ci-après le « Propriétaire ») que tous les chauffe-eau électrique sans réservoir (ci-après, le « Chauffe-eau ») ne doit pas (i) des fuites dues à des défauts de matériaux ou de fabricant de fabrication pendant une période de sept (7) ans à compter de la date d'achat ou (ii) l'échec en raison de défauts dans les matériaux ou de fabrication du fabricant pour une période de trois (3) ans à compter de la date d'achat. Le seul et unique recours du propriétaire dans le cadre de la garantie susmentionnée sera pour le Propriétaire de soit réparer en usine, soit remplacer le Chauffe-eau défectueux (à la discrétion du fabricant) avec soit un appareil de rechange, soit une ou des pièces ayant les mêmes caractéristiques d'exploitation. La responsabilité financière maximale du Fabricant ne pourra en aucun cas aller au-delà du prix d'achat du le Chauffe-eau.

Cette garantie limitée représente la seule garantie accordée par le fabricant et annule toute les autres garanties, orales ou écrites, expresses ou implicites, y compris, mais sans y être limitées les garanties de qualité marchande ou d'aptitude à un usage particulier. Le fabricant rejette toute responsabilité pour les dommages ou frais indirects, consécutifs ou autres résultant directement ou indirectement de tout vice présent dans le chauffe-eau ou survenu lors de l'usage du Chauffe-eau. Le fabricant rejette toute responsabilité pour tout dégât des eaux ou tout autre dégât matériel encouru par le propriétaire, résultant directement ou indirectement de tout vice présent dans le Chauffe-eau ou survenu lors de l'usage du Chauffe-eau. Seul le Fabricant est autorisé à énoncer les garanties au nom du Fabricant et aucune déclaration, garantie ou autre document énoncé par une tierce partie ne saurait engager la responsabilité du Fabricant.

Le Fabricant rejette toute responsabilité pour tout dommage causé par ou en relation avec :

1. toute mauvaise utilisation ou négligence du chauffe-eau, tout accident subi par le chauffe-eau, toute modification du chauffe-eau ou tout autre usage non prévu,
2. les calamités naturelles ou toute autre circonstance sur laquelle le fabricant n'a aucun contrôle,
3. l'installation du chauffe-eau autre que conformément aux directives du fabricant et autre que conformément

- aux codes de la construction en vigueur,
4. le non-respect des procédures d'entretien du chauffe-eau ou l'utilisation du chauffe-eau non conformes aux directives du fabricant,
5. l'utilisation du chauffe-eau avec une pression d'eau irrégulière ou dans le cas où le chauffe-eau serait alimenté en eau non potable pour toute durée que ce soit,
6. une installation incorrecte ou l'utilisation de matériaux incorrects par un installateur et sans relation avec les vices de fabrication ou de matériel du fabricant,
7. déplacer le Chauffe-eau de son lieu d'installation d'origine;
8. l'exposition au gel,
9. problèmes de qualité de l'eau comme l'eau corrosive, l'eau dure et de l'eau contaminée par des polluants ou des additifs,

Si le Propriétaire désire renvoyer le Chauffe-eau au Fabricant pour qu'il soit réparé ou remplacé dans le cadre de cette Garantie, le Propriétaire doit d'abord obtenir l'autorisation écrite du Fabricant. Le Propriétaire doit apporter la preuve d'achat, y compris la date d'achat, et sera responsable de tous les frais de transport et de dépose. Si le Propriétaire ne peut pas apporter la preuve de la date d'achat, cette Garantie sera limitée à la période commençant à la date de fabrication estampée sur le Chauffe-eau. Le Fabricant se réserve le droit de rejeter toute couverture de la Garantie à la suite d'une inspection du Chauffe-eau par le Fabricant. Cette Garantie ne s'applique qu'au propriétaire et ne peut pas être transférée.

Certains États et Provinces n'autorisent pas l'exclusion ou la limitation de certaines garanties. Dans ce cas, les limites ci-mentionnées peuvent ne pas s'appliquer au propriétaire. Dans ce cas, la Garantie sera limitée à la période la plus courte et aux dommages et intérêts les plus faibles autorisés par la loi. Cette garantie vous octroie des droits légaux spécifiques. Il est toutefois possible que vous ayez d'autres droits en fonction de votre juridiction.

Le Propriétaire sera responsable de tous les frais de main-d'œuvre et autres encourus lors de la dépose ou de la réparation du Chauffe-eau sur le chantier. Veuillez également noter que le Chauffe-eau doit être installé de sorte qu'en cas de fuite, l'eau qui s'écoule doit couler de façon à ne pas endommager l'endroit où il est installé.

Environnement et recyclage

Veuillez nous aider à protéger l'environnement en mettant les matériaux d'emballage au rebut conformément aux règlements nationaux relatifs au traitement des déchets.

Cette garantie n'est valide que pour le Canada et les États-Unis. Les garanties varient en fonction du pays. Veuillez vous adresser à votre représentant local Stiebel Eltron pour plus de détails sur la garantie s'appliquant à votre pays.



L'installation, le branchement électrique et la première mise en route de cet appareil doivent être exécutés par un prestataire qualifié.



La société rejette toute responsabilité pour toute défaillance du produit livré qui n'aurait pas été installé et mis en route conformément aux directives du fabricant.

NOTES

STIEBEL ELTRON, Inc.
17 West Street | West Hatfield MA 01088
Tel. 413-247-3380 | Fax 413-247-3369
info@stiebel-eltron-usa.com
www.stiebel-eltron-usa.com



Subject to errors and technical changes! | Salvo error o modificación técnica! |
Sous réserve d'erreurs et de modifications techniques!

Subject to errors and technical changes!

STIEBEL ELTRON

A 279626-40165-9256