



4675 W. 160th St.
Cleveland, Ohio 44135
Ph: (800) 321-9532
Fax: (800) 321-9535
www.dearbornbrass.com

SUBMITTAL SPECIFICATION

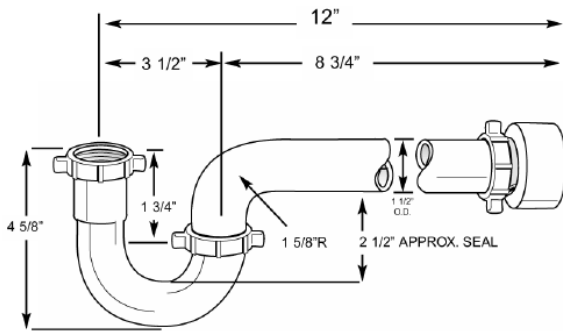
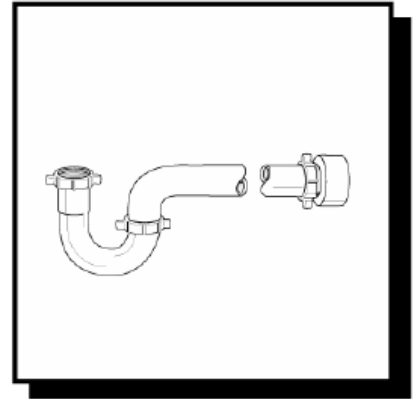
**PLASTIC TUBULAR
1-1/2" P-TRAP WITH THREADED ADAPTER**

Engineering Specification: Dearborn Brass Plastic Tubular 1-1/2" P-Traps with Threaded Adapter are designed for use in tubular drain applications. Options include PVC or ABS plastic adapter and True Blue Premium Washers for superior sealing. Available in white or black polypropylene plastic.

Job Reference

DESCRIPTION

- Made of polypropylene plastic
- Plastic Tubular P-Trap with Threaded Adapter
 - Plastic Tubular Quarter Bend
 - Plastic Tubular J-Bend
 - Schedule 40 Threaded Adapter
 - (3) Slip Joint Nuts
 - (1) 1-1/2" Washer
 - (1) 1-1/4" x 1-1/2" Reducing Washer
- Reversible P-Trap includes reversible J-Bend
- Deep Flange P-Trap includes plastic deep flange



- Meets ASTM F 409
- IAPMO Listed



Product No.	Description	Carton Quantity	Carton Weight (lbs)
P9703W	1-1/2" P-Trap w/ Threaded PVC Adapter with True Blue Premium Washers – White		
P9703BG	1-1/2" P-Trap w/ Threaded PVC Adapter & Reversible J-Bend – White, Bagged	25	19.4
A9703WBG	1-1/2" P-Trap w/ Threaded PVC Adapter & Reversible J-Bend with True Blue Premium Washers –Black, Bagged	25	19.4
P9703WBG	1-1/2" P-Trap w/ Threaded PVC Adaptor & Reversible J-Bend with True Blue Premium Washers -Bagged	50	