

GAS OUTLET BOX

696 SERIES

OxBox™

SPECIFICATION

Sioux Chief 696 series OxBox gas outlet box shall be used where necessary in plumbing and gas supply systems for residential or commercial units. Box shall allow for mounting with supply line from top or bottom, on-stud or between studs. Unit shall be available with yellow handle. Valve shall be available with or without brass shank. Metal support bracket shall install into top track of box for between stud configuration. Outlet shall be 1/2" or 3/4." Valve shall be 1/4-turn operation.

MATERIALS

- Outlet box:** ABS
- Frame:** ABS
- Bracket:** galvanized steel
- Valve body:** cast brass
- Valve handle:** powder-coated yellow zinc
- Screw:** chrome steel
- Shank:** zinc
- Adapter*:** brass
- Plug:** steel
- Components:** Teflon seats and chrome-plated brass ball

*Available in 1/2" and 3/4"

VALVE RATING

- Max working pressure:** 1/2 PSIG
- Max testing pressure:** 10 PSI

GAS/GAS MIXES

- natural gas
- propane

CERTIFICATIONS/APPROVALS

- ANSI Z21.15
- CSA

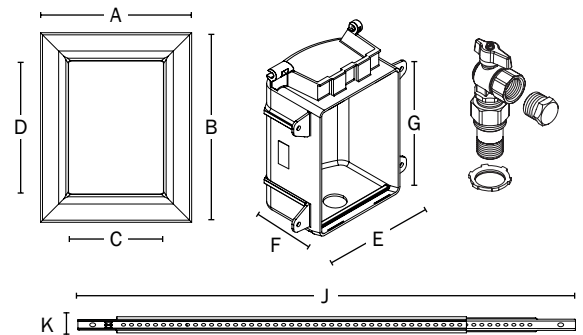
DIMENSIONS

- A:** frame width 5 3/4"
- B:** frame height 7 1/4"
- C:** frame opening width 3 5/8"
- D:** frame opening height 5 1/8"
- E:** rough-in box inner width 4"
- F:** rough-in box overall depth 3 1/2"
- G:** rough-in box inner height 5 1/2"
- H:** supply connection
- I:** outlet connection
- J:** bracket length 18"
- K:** bracket width 5/8"

ITEM # SUBMITTED	_____
JOB NAME	_____
LOCATION	_____
ENGINEER	_____
CONTRACTOR	_____
PO#	_____ TAG _____



696R1020GF



Create Item Number

696-10ABGF

e.g. 696-1020GF: gas OxBox with 1/2" FIP outlet & inlet

VALVE CONNECTION A

- 2** = 1/2" FIP outlet x 1/2" inlet
- 3** = 3/4" FIP outlet x 3/4" inlet

ADAPTER B

- 0** = none
- 1** = female x male NPT adapter