

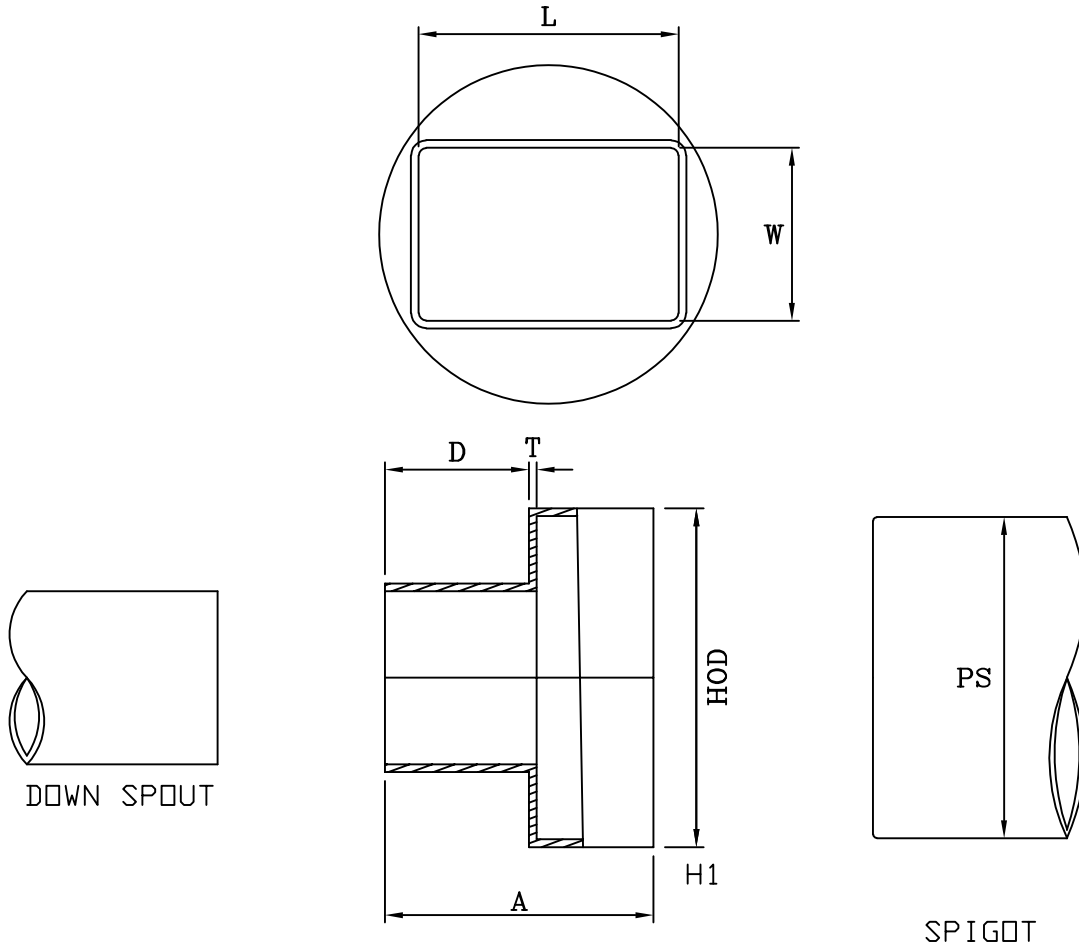


MULTI FITTINGS

LAYING LENGTH

ISSUE DATE: MAY 29/19
SUPERCEDES: NOV 15/17

DOWN SPOUT ADAPTER



INJECTION MOLDED FITTING (M)

	SIZE WxLxH1	PART NUMBER	W REF	L REF	D REF	T REF	A REF	HOD REF	PS
P	2x3x3	040013	-	-	-	-	-	-	3, 250
M	2x3x4	040961	2, 450	3, 350	2, 250	0, 150	4, 150	4, 500	4, 215
M	3x4x4	040962	3, 500	4, 500	2, 000	0, 125	3, 875	4, 500	4, 215
M	3x4x6	040191	3, 500	4, 500	2, 000	0, 180	5, 180	6, 625	6, 275
M	4x4x4	040972	4, 125	4, 125	1, 750	0, 125	3, 625	4, 500	4, 215
P	4x4x6	040174	-	-	-	-	-	-	6, 275
P	4x5x4	040074	-	-	-	-	-	-	4, 215
P	4x5x6	040277	-	-	-	-	-	-	6, 275
M	4x6x6	040943	4, 250	6, 250	2, 000	0, 180	5, 180	6, 625	6, 275
P	5x5x6	040153	-	-	-	-	-	-	6, 275
M	6x6x6	040944	6, 250	6, 250	3, 000	0, 180	6, 180	6, 625	6, 275