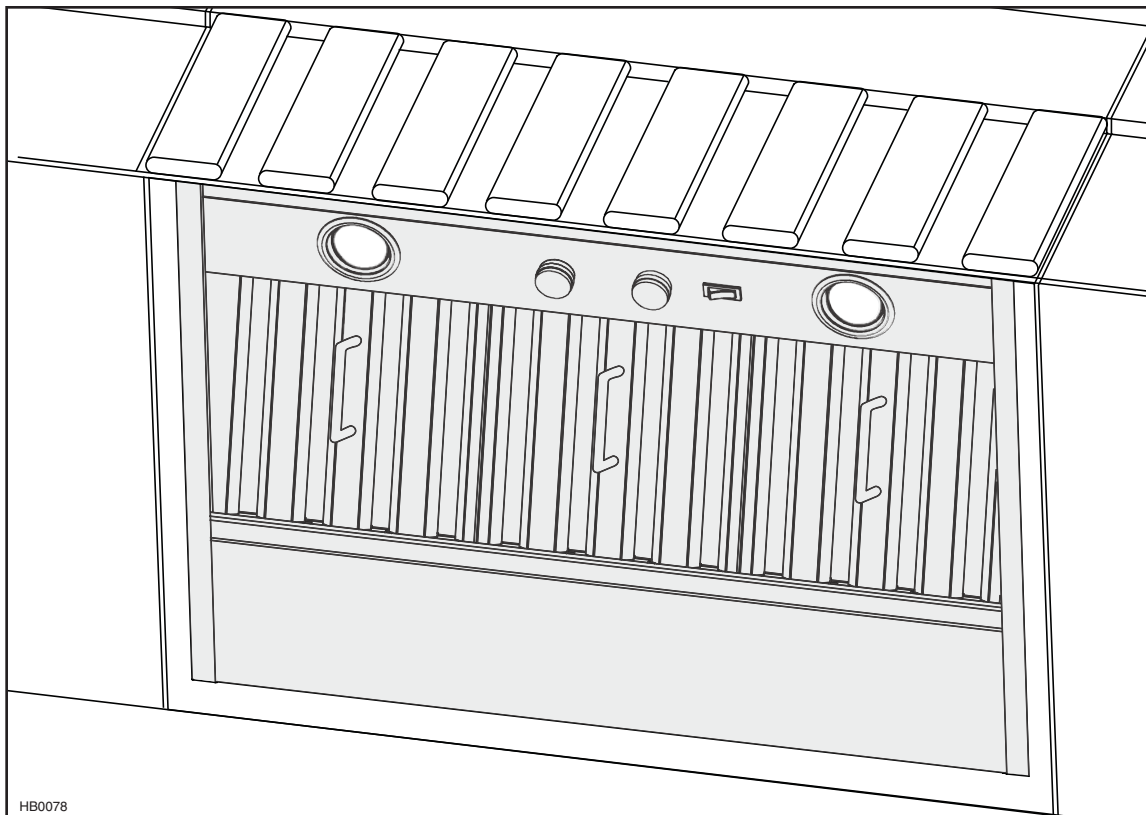


best®



CP34, CP35 AND CP37 SERIES

⚠ INTENDED FOR DOMESTIC COOKING ONLY ⚠

READ AND SAVE THESE INSTRUCTIONS

INSTALLER: LEAVE THIS MANUAL WITH HOMEOWNER.
HOMEOWNER: USE AND CARE INFORMATION ON PAGES 12 AND 13.

BEST; Hartford, Wisconsin www.BestRangeHoods.com 800-558-1711
To register your product online or for additional information visit www.BestRangeHoods.com

⚠ WARNING

TO REDUCE THE RISK OF FIRE, ELECTRIC SHOCK OR INJURY TO PERSONS, OBSERVE THE FOLLOWING:

1. Use this unit only in the manner intended by the manufacturer. If you have questions, contact the manufacturer at the address or telephone number listed in the warranty.
2. Before servicing or cleaning unit, switch power off at service panel and lock service disconnecting means to prevent power from being switched on accidentally. When the service disconnecting means cannot be locked, securely fasten a prominent warning device, such as a tag, to the service panel.
3. Installation work and electrical wiring must be done by qualified personnel in accordance with all applicable codes and standards, including fire-rated construction codes and standards.
4. Sufficient air is needed for proper combustion and exhausting of gases through the flue (chimney) of fuel burning equipment to prevent backdrafting. Follow the heating equipment manufacturer's guidelines and safety standards such as those published by the National Fire Protection Association (NFPA) and the American Society for Heating, Refrigeration and Air Conditioning Engineers (ASHRAE) and the local code authorities.
5. When cutting or drilling into wall or ceiling, do not damage electrical wiring and other hidden utilities.
6. Ducted fans must always be vented to the outdoors.
7. Do not use this unit with any solid-state speed control device.
8. To reduce the risk of fire, use only metal ductwork.
9. This unit must be grounded.
10. When applicable local regulations comprise more restrictive installation and/or certification requirements, the aforementioned requirements prevail on those of this document and the installer agrees to conform to these at his own expenses.

TO REDUCE THE RISK OF A RANGE TOP GREASE FIRE:

- a) Never leave surface units unattended at high settings. Boilovers cause smoking and greasy spillovers that may ignite. Heat oils slowly on low or medium settings.
- b) Always turn power pack ON when cooking at high heat or when flambeing food (i.e.: Crêpes Suzette, Cherries Jubilee, Peppercorn Beef Flambé).
- c) Clean ventilating fans frequently. Grease should not be allowed to accumulate on fan, filters or in exhaust ducts.
- d) Use proper pan size. Always use cookware appropriate for the size of the surface element.

⚠ WARNING

TO REDUCE THE RISK OF INJURY TO PERSONS IN THE EVENT OF A RANGE TOP GREASE FIRE, OBSERVE THE FOLLOWING*:

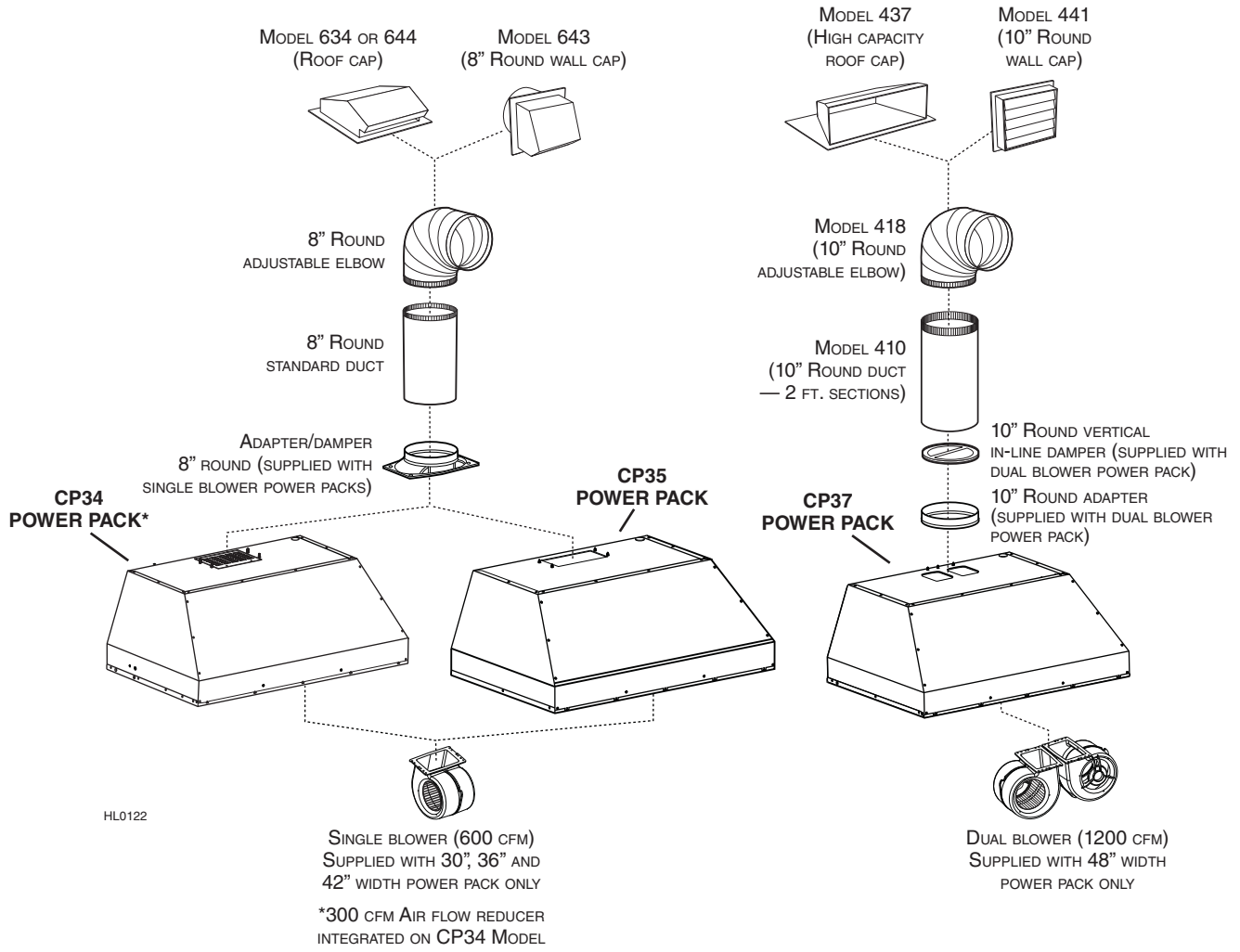
1. SMOTHER FLAMES with a close-fitting lid, cookie sheet or metal tray, then turn off the burner. BE CAREFUL TO PREVENT BURNS. IF THE FLAMES DO NOT GO OUT IMMEDIATELY, EVACUATE AND CALL THE FIRE DEPARTMENT.
2. NEVER PICK UP A FLAMING PAN — You may be burned.
3. DO NOT USE WATER, including wet dishcloths or towels — This could cause a violent steam explosion.
4. Use an extinguisher ONLY if:
 - A. You own a Class ABC extinguisher and you know how to operate it.
 - B. The fire is small and contained in the area where it started.
 - C. The fire department has been called.
 - D. You can fight the fire with your back to an exit.

* Based on "Kitchen Fire Safety Tips" published by NFPA.

CAUTION

1. For indoor use only.
2. For general ventilating use only. Do not use to exhaust hazardous or explosive materials and vapors.
3. To avoid motor bearing damage and noisy and/or unbalanced impellers, keep drywall spray, construction dust, etc. off power unit.
4. Your power pack motor has a thermal overload which will automatically shut off the motor if it becomes overheated. The motor will restart when it cools down. If the motor continues to shut off and restart, have the power pack serviced.
5. The minimum hood distance above cooktop must not be less than 24". A maximum of 30" above cooktop is recommended for best capture of cooking impurities.
6. Two installers are recommended because of the large size and weight of this unit.
7. To reduce the risk of fire and to properly exhaust air, be sure to duct air outside — Do not exhaust air into spaces within walls or ceiling or into attics, crawl space or garage.
8. This product is equipped with a thermostat which may start blower automatically. To reduce the risk of injury and to prevent power from being switched on accidentally, switch power off at service panel and lock or tag service panel.
9. Because of the high exhausting capacity of this unit, you should make sure enough air is entering the house to replace exhausted air by opening a window close to or in the kitchen.
10. To reduce the risk of fire and electrical shock, the Best models CP34, CP35 and CP37 Series should only be installed with their own built-in blowers. Other blowers cannot be substituted.
11. Please read specification label on product for further information and requirements.

- CP34, CP35 AND CP37 POWER PACK SYSTEMS -



1. PREPARE INSTALLATION

⚠ WARNING

When performing installation, servicing or cleaning the unit, it is recommended to wear safety glasses and gloves.

NOTE: Before proceeding to the installation, check the contents of the box. If items are missing or damaged, contact the manufacturer.

Make sure that the following items are included:

- Power Pack
- Accessories:
 - Baffle filters with handles:
CP34 and CP35: 3 for the 30" and 36" width models, 4 for the 42" width model
CP37: 5 for this 48" width model
 - 2 Shielded halogen lamps (120 V, 50 W, MR16 with GU10 base or PAR16 with GU10 base)
 - 8" Round adapter/damper (included with single blower power packs)
 - 10" Round in-line vertical damper (included with dual blower power pack)
 - 10" Round adapter (included with dual blower power pack)
 - Bag of parts including: 1 wire clamp, 2 wire connectors, 4 no. 8 x 3/8" screws, 9 no. 8 x 1/2" chrome plated screws, 10 no. 8-32 x 1/4" screws. If need be, discard extra screws.

Parts sold separately:

Ducts, elbows, wall and roof caps. Refer to page 3 for a complete list of venting options and model numbers.

NOTE: During installation, protect countertop and/or cooktop.

2. INSTALL DUCTWORK AND ELECTRICAL WIRING

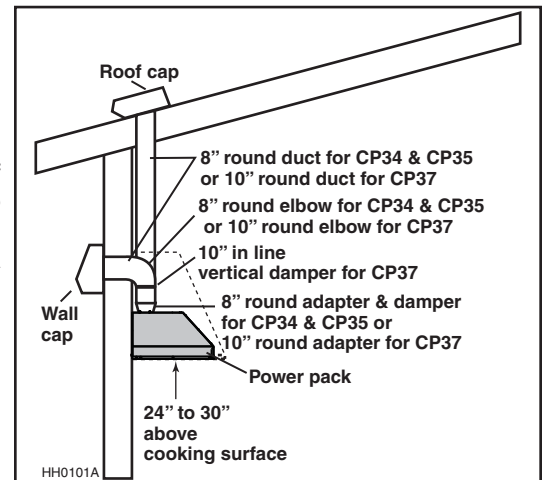
Plan where and how the ductwork will be installed. Access to the top of the hood is preferred for connection of ductwork.

Install proper-sized ductwork, elbows and roof or wall cap for the type of blower you are installing. If installing CP34 or CP35 power pack, use 8" round ductwork and if installing CP37 power pack, use 10" round ductwork. Use 2" metal foil duct tape to seal duct joints.

The minimum hood distance above cooktop must not be less than 24". A maximum of 30" above cooktop is recommended for best capture of cooking impurities.

Distances over 30" are at the installer and users discretion.

Run 3-wire power supply cable to installation location. Its length should extend at least 4 feet below the bottom of the custom hood.



**MODELS CP34 & CP35 (SINGLE BLOWER)
OR CP37 (DUAL BLOWER) TYPICAL DUCTWORK**

3. CUSTOM HOOD PREPARATION

⚠ WARNING

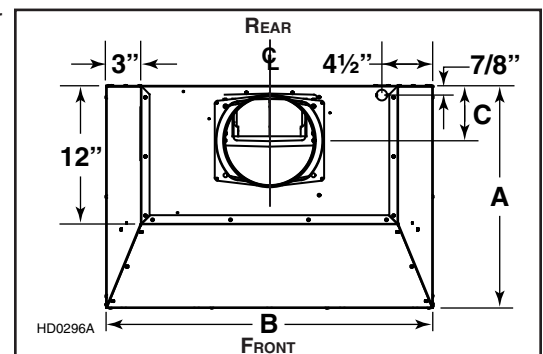
When building a custom hood, always follow all applicable construction codes and standards.

The custom hood must be constructed to fit the size and shape of the CP34, CP35 or the CP37 power pack models.

See chart and illustration for details.

POWER PACK MODEL	WIDTH	TOTAL WEIGHT	RANGE HOOD DIMENSIONS		
			A*	B*	C
CP34 AND CP35	30"	33 LB.	19 ⁵ / ₁₆ "	28 ⁷ / ₁₆ "	4 ⁷ / ₈ "
	36"	37.2 LB.	19 ⁵ / ₁₆ "	34 ⁷ / ₁₆ "	4 ⁷ / ₈ "
	42"	41.6 LB.	19 ⁵ / ₁₆ "	40 ⁷ / ₁₆ "	4 ⁷ / ₈ "
CP37	48"	56.5 LB.	22 ⁹ / ₁₆ "	46 ⁷ / ₁₆ "	5 ⁷ / ₈ "

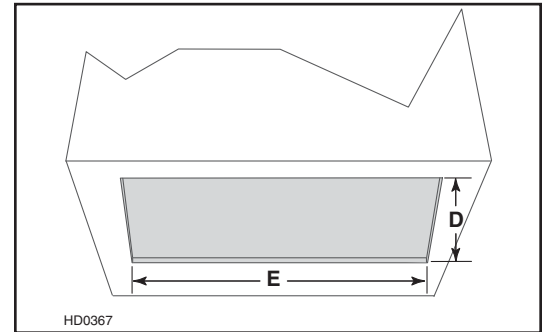
* Dimensions **A** and **B** include rivets head.



3. CUSTOM HOOD PREPARATION (CONT'D)

To minimize the gap around the power pack, take actual width and depth measurements of power pack and add 1/16" to get **D** and **E** measurements. Cut the hole in the bottom of the cabinet according to dimensions. See chart and illustration for details.

POWER PACK MODEL	WIDTH	CUTOUT DIMENSIONS	
		D	E
CP34 AND CP35	30"	19 ³ / ₈ "	28 ¹ / ₂ "
	36"	19 ³ / ₈ "	34 ¹ / ₂ "
	42"	19 ³ / ₈ "	40 ¹ / ₂ "
CP37	48"	22 ⁵ / ₈ "	46 ¹ / ₂ "



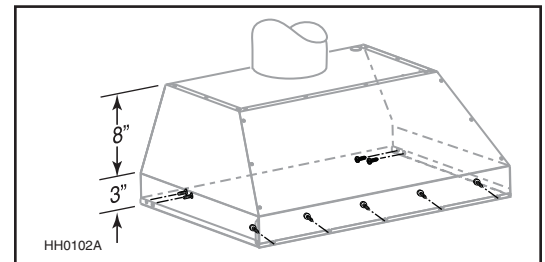
4. MOUNT CUSTOM HOOD INTERNAL FRAMEWORK

⚠ WARNING

The framework must be positively secured to wall studs or other wooden framework behind the drywall. Make sure it is capable of supporting its own weight and the weight of the CP34, CP35 or CP37. Failure to do so may cause personal injury or damage to countertop or cooktop.

The CP34, CP35 and CP37 power pack models are supported by the custom hood internal framework with screws provided in parts bag.

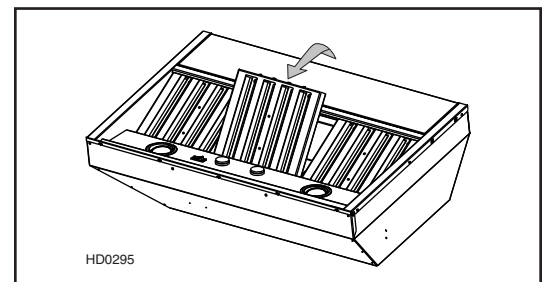
Since the CP34, CP35 and CP37 power pack models mounting holes are located in front and rear sides (see illustration at right), plan to install wood frame at front and sides for support.



5. REMOVE FILTERS

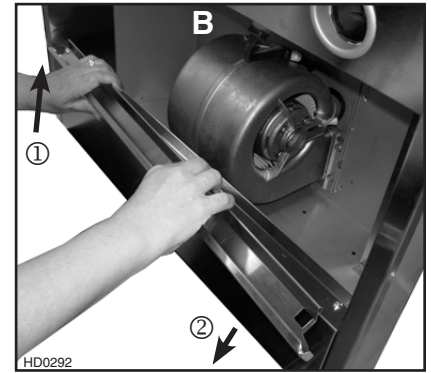
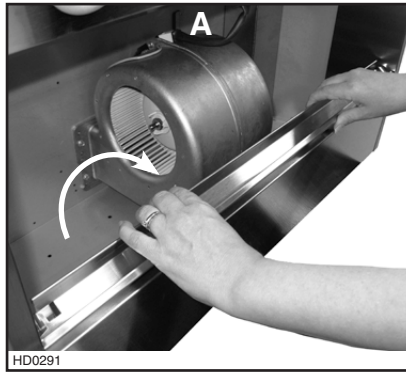
Remove tape on filters. Remove filters from power pack and set aside.

NOTE: It is recommended to start with the center one(s).



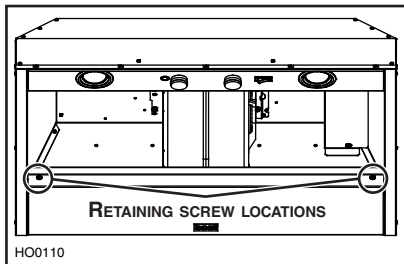
6. REMOVE GREASE DRIP RAIL

- A. Lift grease drip rail to disengage it from the bottom panel.
- B. Slide grease rail all the way to the left or right (①) and lift the opposite end to disengage the other end from the bottom panel (②). Remove it from the power pack and set aside for later use.

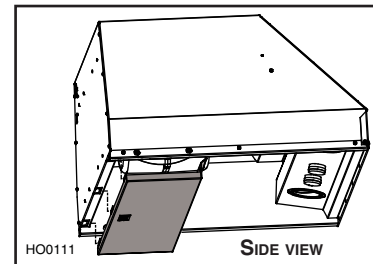


7. REMOVE BOTTOM PANEL

Using a Phillips screwdriver, remove both bottom panel retaining screws and set aside.

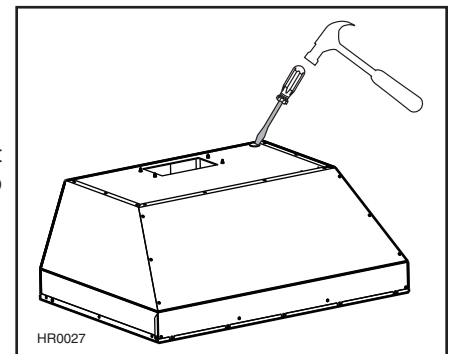


Disassemble bottom panel from power pack and set aside.



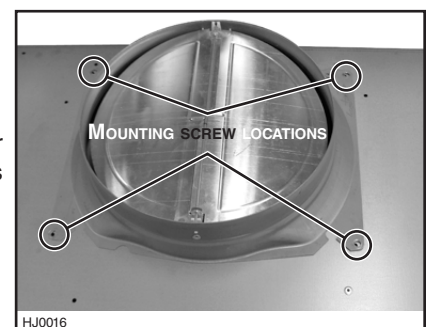
8. REMOVE KNOCK-OUT OPENING

From inside the power pack, remove the wiring cover by removing 2 retaining screws and set aside. Punch out the electrical knockout hole on top of the power pack. Install the wire clamp (included in parts bag).



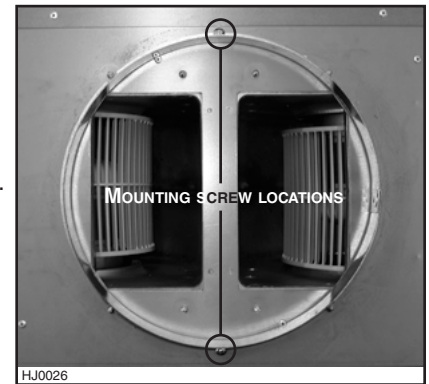
9. INSTALL ADAPTER/DAMPER (CP34 AND CP35 MODELS)

Using 4 no. 8 x 3/8" screws from parts bag, assemble the adapter/damper on the top of the power pack. To ensure proper opening of the dampers, remove shipping tape if present. Seal all joints with metal foil duct tape to eliminate air leaks.

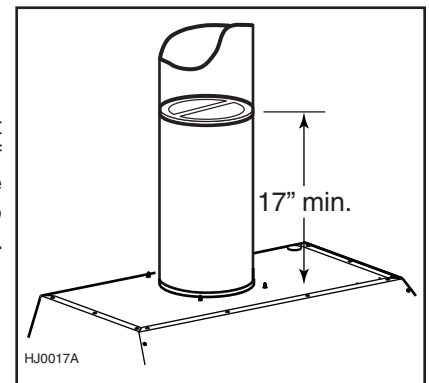


10. INSTALL ADAPTER AND DAMPER (CP37 MODEL ONLY)

Using 2 no. 8 x 3/8" screws from parts bag, assemble the adapter on the top of the power pack. Seal all joints with metal foil duct tape to eliminate air leaks.



Install 10" damper inside the VERTICAL ductwork that will be attached to power pack. Do not install in a horizontal ductwork or it will not open and close properly. Remove shipping tape if present. To optimize airflow and quiet sound, position the damper at least 17" above the top of the CP37 power pack; or as far as the duct run will allow (see figure at right). Secure the damper to the duct with 3 no. 8 sheet metal screws (not provided). Ensure damper opens and closes freely. Seal all joints with metal foil duct tape to eliminate air leaks.



11. CONNECT WIRING

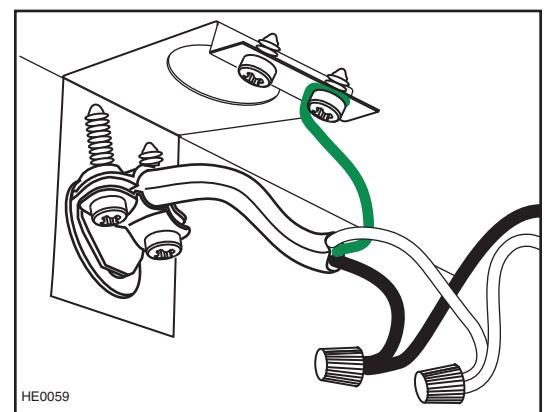
⚠ WARNING

Risk of electric shock. Electrical wiring must be done by qualified personnel in accordance with all applicable codes and standards. Before connecting wires, switch power off at service panel and lock service disconnecting means to prevent power from being switched on accidentally.

Position the power pack below the installed custom hood. Insert the house wiring cable through the wire clamp previously installed in step 8. Tighten the wire clamp to secure the cable.

Using the provided wire connectors, connect power pack wires to power cable into wiring box.

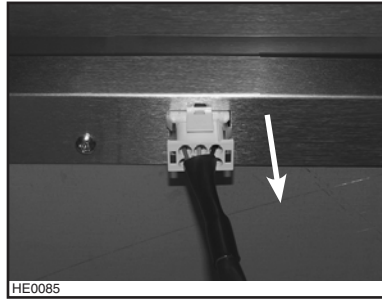
Connect wires as follow: BLACK to BLACK, WHITE to WHITE and GREEN or bare wire under ground screw. **DO NOT FORGET TO CONNECT THE GROUND.** Reinstall wiring cover.



12. REMOVE BLOWER(S)

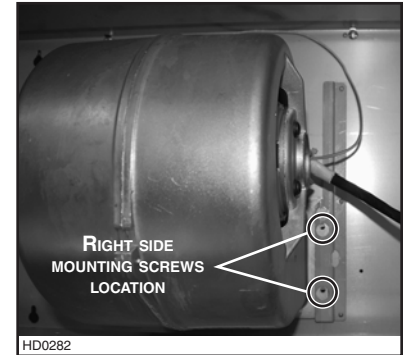
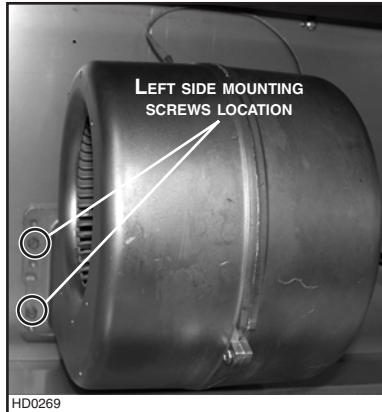
In order to ease the power pack alignment with existing ductwork, unplug and disassemble the blower(s) from the power pack before installing the custom hood.

Unplug the blower(s)

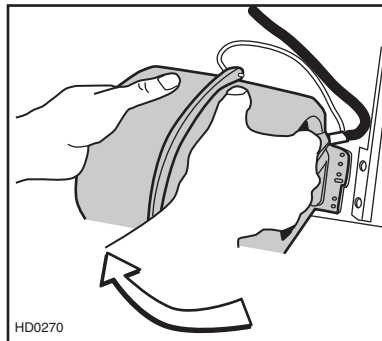


CP34 AND CP35 MODELS

Using a 5/16" socket, remove all blower mounting screws from the inner top of the power pack. Set the screws aside.

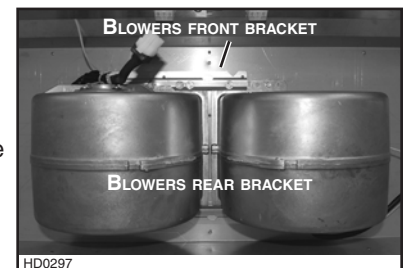


Slide the blower to disengage its flange from the retaining bracket. Set the blower aside.

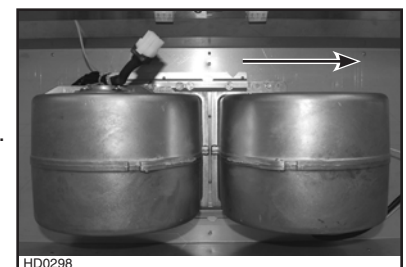


CP37 MODEL

For each blower, using a 5/16" socket, remove all blower mounting screws from the inner top of the power pack front and rear brackets. Set the screws aside.



For each blower, slide it to disengage its flanges from the retaining brackets. Set the blowers aside.



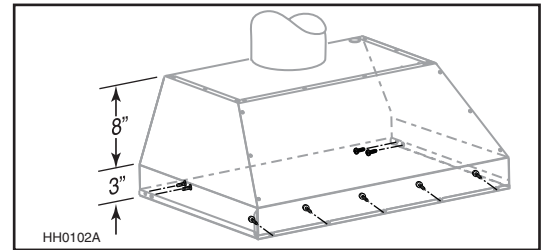
13. INSTALL POWER PACK

CAUTION

Take care not to kink ducting when installing the power pack.

Using provided no. 8 x 1/2" chrome plated screws, install the power pack inside the custom hood. Start with 2 screws on front corners, then use 4 screws for sides and use the remaining ones to finalize securing the front power pack. (See figure at right for mounting screw specific locations.)

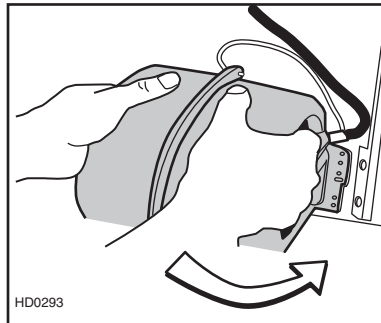
Make sure the adapter/damper (or the adapter) enters the ducting. When there is access to the top of the power pack, seal connections with metal foil duct tape.



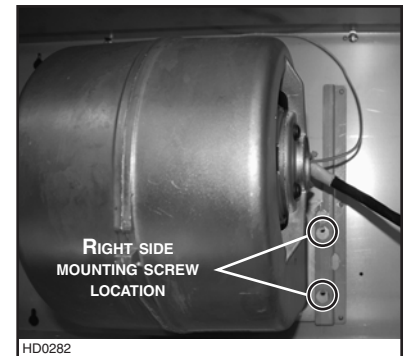
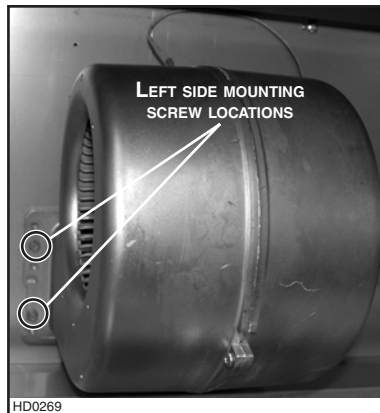
14. REINSTALL BLOWER(S)

CP34 AND CP35 MODELS

Slide the blower to engage its flange in the retaining bracket.



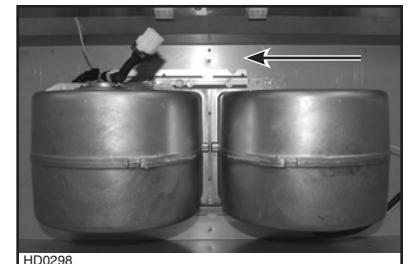
Using a 5/16" socket, secure the blower to the inner top of the power pack with all blower mounting screws (previously removed in step 12).



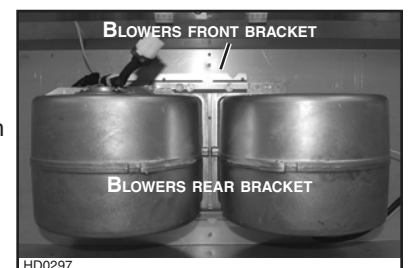
CP37 MODEL

For each blower, slide it to engage its flanges in both retaining brackets.

NOTE: Both blowers are identical and can be mounted on either side of the power pack.



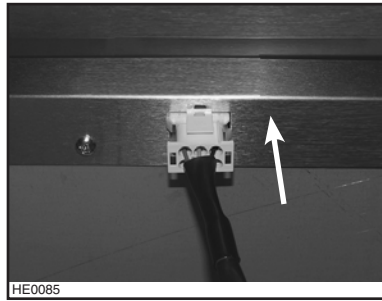
For each blower, using a 5/16" socket, secure the blower to the inner top of the power pack through the front and rear brackets with all blower mounting screws (previously removed in step 12).



14. REINSTALL BLOWER(S) (CONT'D)

ALL MODELS

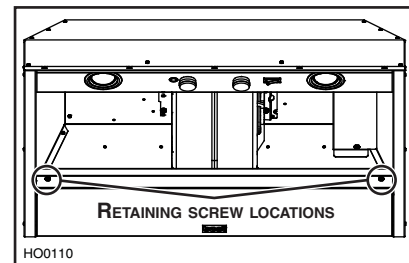
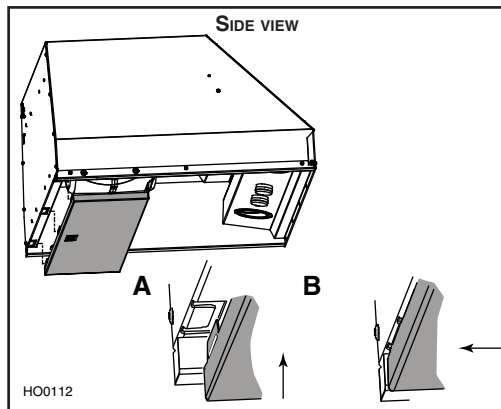
Plug the blower(s) in.



15. REINSTALL BOTTOM PANEL

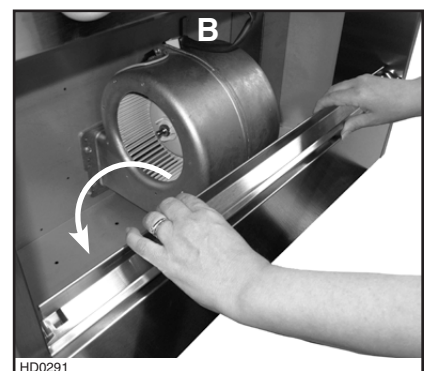
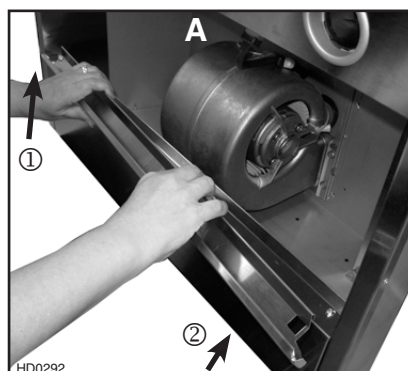
Lift the bottom panel and engage the power pack metal tabs in bottom panel slots, as shown in details A and B below.

Secure the bottom panel to the power pack using its screws previously removed in step 7.



16. REINSTALL GREASE DRIP RAIL

- A.** Insert one end of grease rail in power pack side (①) while lifting the other end over the bottom panel edge (②).
- B.** Center the grease drip rail over the bottom panel edge and flip it to snap in place.



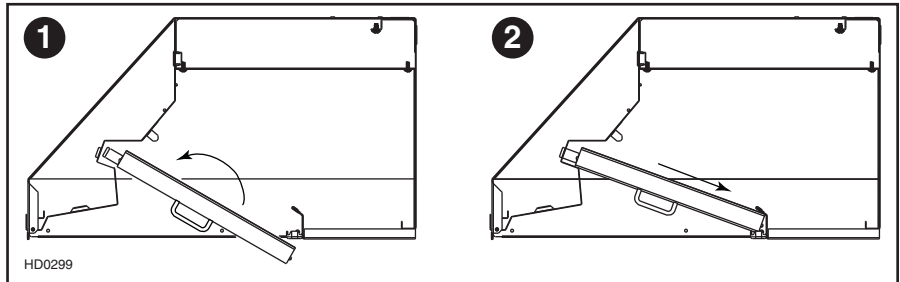
17. REINSTALL BAFFLE FILTERS

CAUTION

Remove protective plastic film covering filters before installing them.

It is recommended to install side filters first and finish with center one(s).

1. Insert one end of the filter into the upper channel of the power pack.
2. Raise the other end toward the inside of power pack and insert in the grease drip rail of the power pack.



18. LIGHT BULBS

This power pack requires shielded halogen lamps (120 V, 50 W, MR16 with GU10 base or PAR16 with GU10 base), included.

NOTE: Before using lamps, remove shipping tape on them (if present).

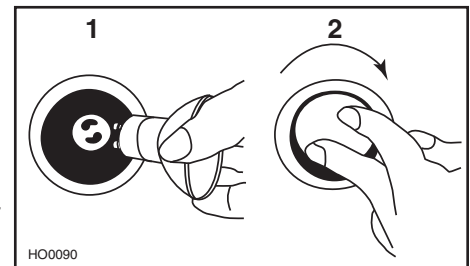
⚠ WARNING

Do not touch lamps during or soon after operation. Burns may occur. In order to prevent the risk of personal injury, only install shielded halogen lamps. Also, never install a cool beam, a dichroic lamp, a lamp not suitable for use in recessed luminaires or identified for use in enclosed fixtures.

1. Install the lamps by placing the bulb leads into their grooves in the socket.
2. Gently push upwards and turn clockwise until secure.

To remove lamps, gently push upwards and turn counterclockwise to disengage bulb leads from their grooves.

NOTE: To ease removal of the bulbs, use a rubber dishwashing glove or use suction cup tool available from Best. Contact Best Customer Service at 1-800-558-1711 to order suction cup tool, part no. 99526707.



19. USE AND CARE

Baffle Filters

The baffle filters should be cleaned frequently. Use a warm detergent solution. Wash more often if your cooking style generates greater grease — like frying foods or wok cooking.

Remove baffle filters by pushing them towards the back of hood and rotating filters downward. Baffle filters are dishwasher safe. Allow filters to dry completely before reinstalling them in the power pack.

Clean all-metal filters in the dishwasher using a non-phosphate detergent. Discoloration of the filter may occur if using phosphate detergent or as a result of local water conditions — but this will not affect filter performance. This discoloration is not covered by the warranty.

Rotary Control Knobs

Can be removed for cleaning but first, loosen the set screw using a 1/16" hexagonal key (available at your local hardware store).

Grease Drip Rail

The grease drip rail should be cleaned frequently. Remove it from the power pack (see step 6 on page 5) and use a warm detergent solution. As with the baffle filters, wash more often if your cooking style generates greater grease — like frying foods or wok cooking. Allow grease drip rail to dry completely before reinstalling it in the power pack.

Blower(s) Cleaning

Remove the filters in order to access the blower(s). Vacuum blower(s) to clean. Do not immerse in water.

Hood cleaning

Stainless steel cleaning:

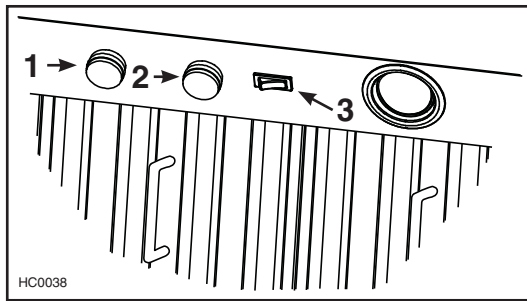
Do:	Don't:
<ul style="list-style-type: none">• Regularly wash with clean cloth or rag soaked with warm water and mild soap or liquid dish detergent.• Always clean in the direction of original polish lines.• Always rinse well with clear water (2 or 3 times) after cleaning. Wipe dry completely.• You may also use a specialized household stainless steel cleaner.	<ul style="list-style-type: none">• Use any steel or stainless steel wool or any other scrapers to remove stubborn dirt.• Use any harsh or abrasive cleansers.• Allow dirt to accumulate.• Let plaster dust or any other construction residues reach the power pack. During construction/renovation, cover the power pack to make sure no dust sticks to stainless steel surface.

Avoid when choosing a detergent:

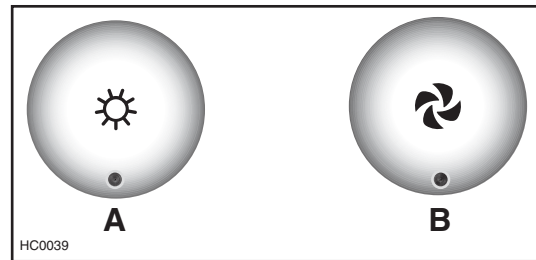
- Any cleaners that contain **bleach** will attack stainless steel.
- Any products containing: **chloride, fluoride, iodide, bromide** will deteriorate surfaces rapidly.
- Any combustible products used for cleaning such as **acetone, alcohol, ether, benzol**, etc., are highly explosive and should never be used close to a range.

20. OPERATION

Always turn your hood on before you begin cooking to establish an air flow in the kitchen. Let the blower run for a few minutes to clear the air after you turn off the range. This will help keep the whole kitchen cleaner and brighter.



- 1) HALOGEN LIGHT KNOB
- 2) BLOWER SPEED CONTROL KNOB
- 3) ON/OFF BLOWER SWITCH



- 1) HALOGEN LIGHT KNOB
- 2) BLOWER SPEED CONTROL KNOB

COOKTOP LIGHTING (HALOGEN)

A rotary 3-position knob (1) controls the halogen lights (OFF - low intensity - high intensity).

BLOWER

The blower is operated using two controls.

Use the on/off rocker switch (3) to start and stop the blower. When turned on, the blower operates at the previous setting of the speed control (2).

Turn the speed control knob counterclockwise to increase blower speed – clockwise to decrease speed.

HEAT SENTRY™

This hood is equipped with a Heat Sentry™ thermostat. This thermostat is a device that will turn on or speed up the blower if it senses excessive heat above the cooking surface.

- 1) If blower is OFF - it turns blower ON to HIGH speed.
- 2) If blower is ON at a lower speed setting – it turns the blower up to HIGH speed.

⚠ WARNING

The HEAT SENTRY can start the blower during a range top fire or other excessive heat situations even if the hood is turned off. In this case, it is impossible to turn the blower OFF with blower switch. If you must stop the blower, do it from the main electrical panel.

When the temperature level drops to normal, the blower will return to its original setting.

21. WARRANTY

ONE-YEAR LIMITED WARRANTY

Broan-NuTone LLC ("Broan-NuTone") warrants to the original consumer purchaser of its products that such products will be free from defects in materials or workmanship for a period of one year from the date of original purchase. THERE ARE NO OTHER WARRANTIES, EXPRESS OR IMPLIED, INCLUDING, BUT NOT LIMITED TO, IMPLIED WARRANTIES OF MERCHANTABILITY OR FITNESS FOR A PARTICULAR PURPOSE.

During this one-year period, Broan-NuTone will, at its option, repair or replace, without charge, any product or part which is found to be defective under normal use and service.

THIS WARRANTY DOES NOT EXTEND TO FLUORESCENT LAMP STARTERS, TUBES AND BULBS, FUSES, FILTERS, DUCTS, ROOF CAPS, WALL CAPS AND OTHER ACCESSORIES FOR DUCTING. This warranty does not cover (a) normal maintenance and service or (b) any products or parts which have been subject to misuse, negligence, accident, improper maintenance or repair (other than by Broan-NuTone), faulty installation or installation contrary to recommended installation instructions.

The duration of any implied warranty is limited to the one-year period as specified for the express warranty. Some states or provinces do not allow limitation on how long an implied warranty lasts, so the above limitation may not apply to you.

BROAN-NUTONE'S OBLIGATION TO REPAIR OR REPLACE, AT BROAN-NUTONE'S OPTION, SHALL BE THE PURCHASER'S SOLE AND EXCLUSIVE REMEDY UNDER THIS WARRANTY. BROAN-NUTONE SHALL NOT BE LIABLE FOR INCIDENTAL, CONSEQUENTIAL OR SPECIAL DAMAGES ARISING OUT OF OR IN CONNECTION WITH PRODUCT USE OR PERFORMANCE. Some states or provinces do not allow the exclusion or limitation of incidental or consequential damages, so the above limitation or exclusion may not apply to you.

This warranty gives you specific legal rights, and you may also have other rights, which vary from state to state or province to another. Any modification performed on this product without the authorization of Broan-NuTone will void this warranty. This warranty supersedes all prior warranties.

To qualify for warranty service, you must (a) notify Broan-NuTone at the address or telephone number stated below, (b) give the model number and part identification and (c) describe the nature of any defect in the product or part. At the time of requesting warranty service, you must present evidence of the original purchase date.

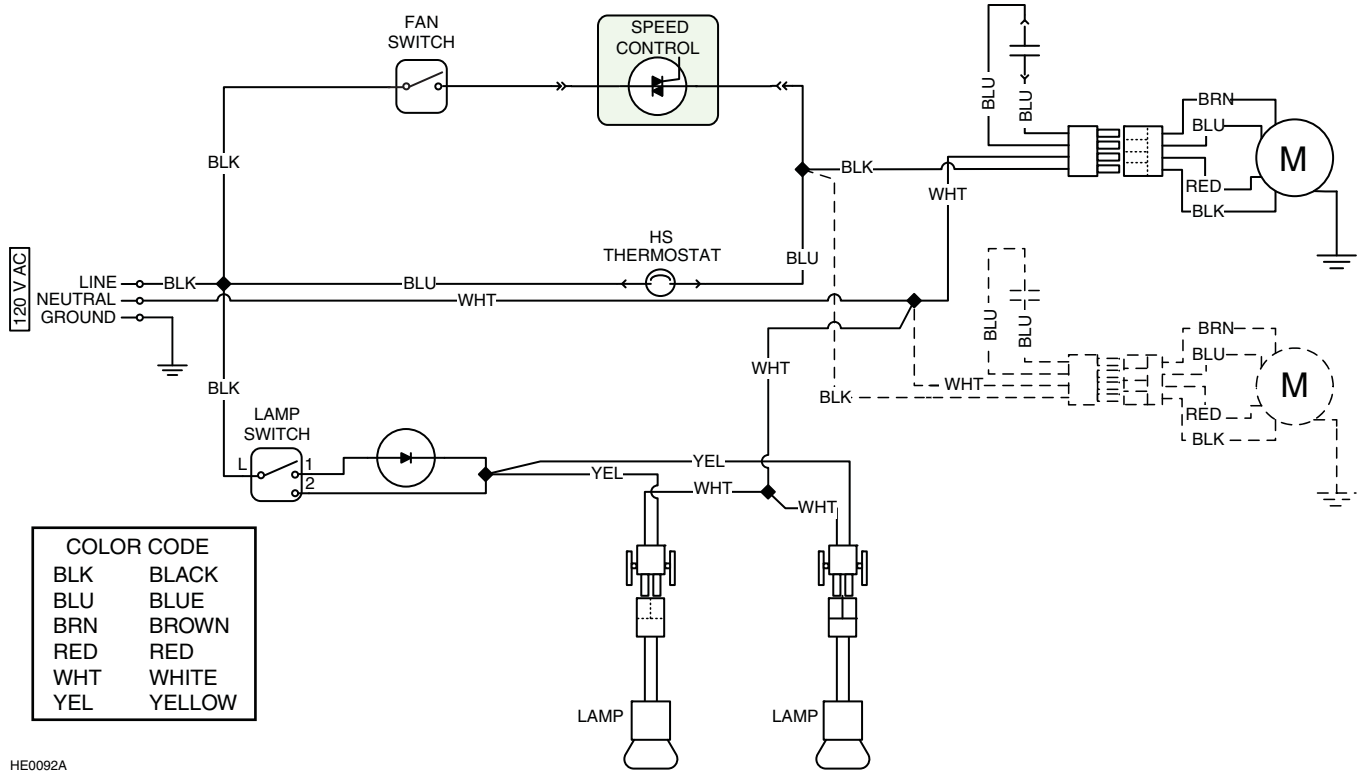
Best®, 926 W. State Street, Hartford, WI 53027 (1-800-558-1711)

www.bestrangehoods.com

22. WIRING DIAGRAM

⚠ WARNING

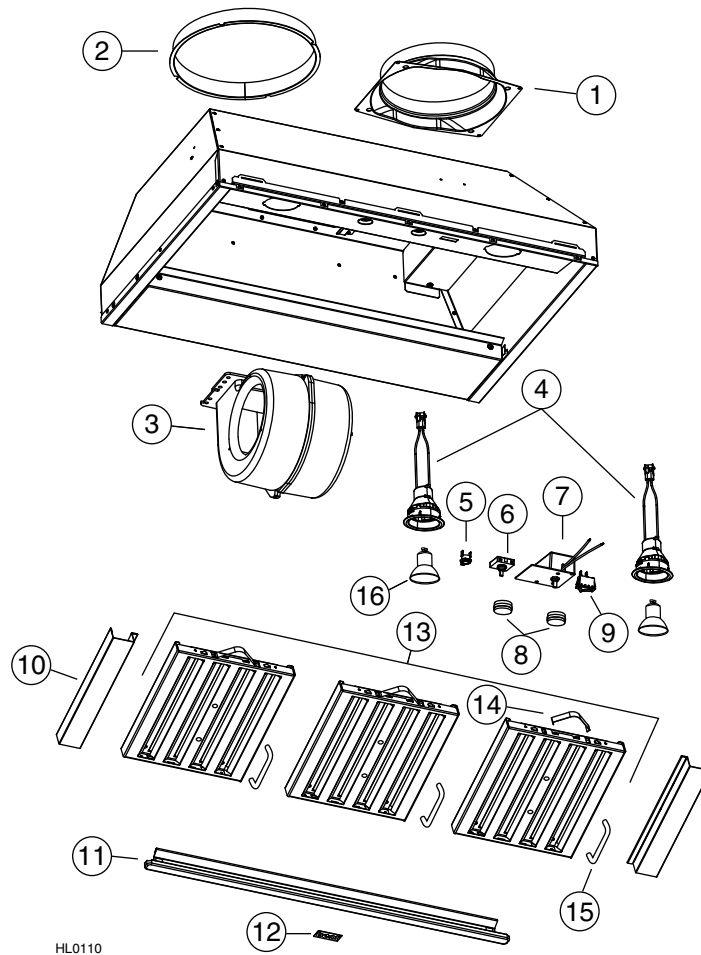
Risk of electrical shock. Electrical wiring must be done by qualified personnel in accordance with all applicable codes and standards. Before connecting wires, switch power off at service panel and lock service disconnecting means to prevent power from being switched on accidentally.



HE0092A

23. SERVICE PARTS

Best CP34, CP35
& CP37 Series



HL0110

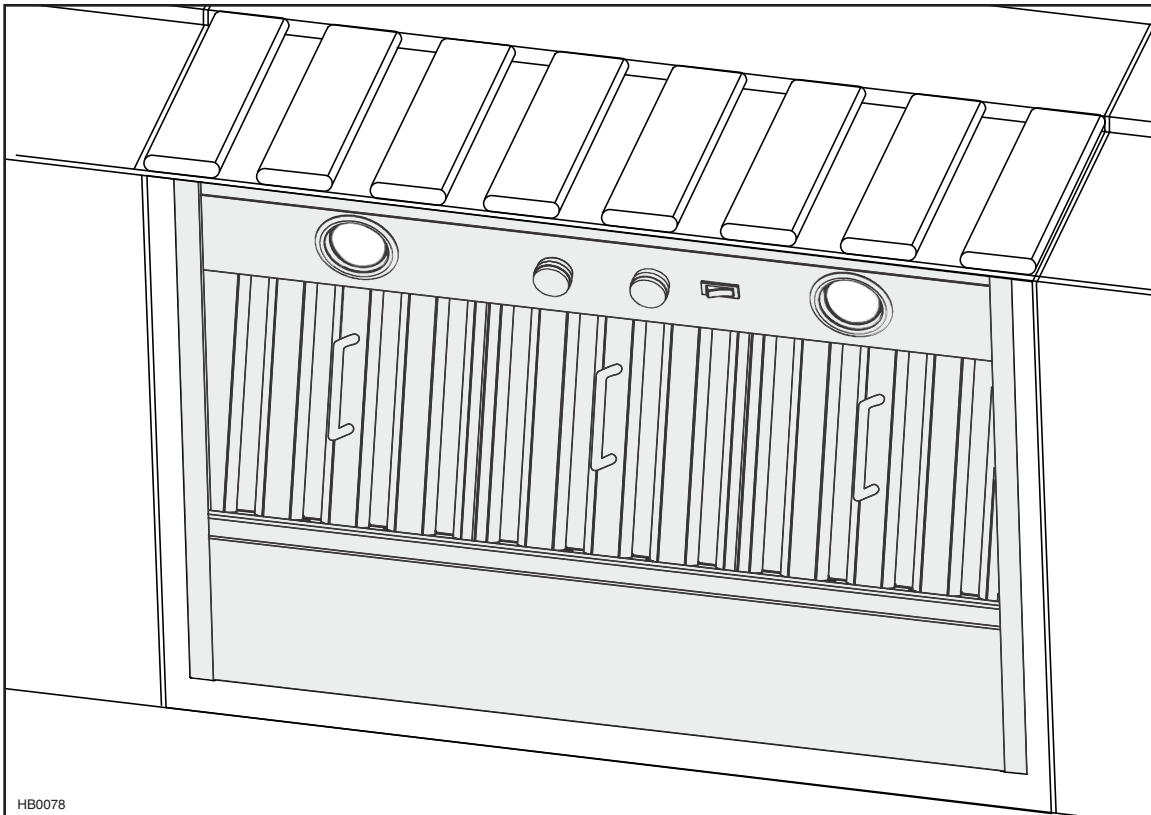
REPLACEMENT PARTS AND REPAIRS

In order to ensure your unit remains in good working condition, you must use Broan-NuTone genuine replacement parts only. Broan-NuTone genuine replacement parts are specially designed for each unit and are manufactured to comply with all the applicable certification standards and maintain a high standard of safety. Any third party replacement part used may cause serious damage and drastically reduce the performance level of your unit, which will result in premature failing. Broan-NuTone recommends to contact a certified service depot for all replacement parts and repairs.

KEY NO.	PART NO.	DESCRIPTION	QTY. (POWER PACK WIDTH)			
			30"	39"	45"	48"
1	SV08543	ADAPTER/DAMPER 8" ROUND	1	1	1	-
2	SV08541	ADAPTER 10" ROUND	-	-	-	1
3	SV08097	INTERNAL BLOWER	1	1	1	2
4	SV16569	LAMP SHELL, SOCKET & TRIM ASS 'Y	2	2	2	2
5	SV03435	HEAT SENTRY™ THERMOSTAT	1	1	1	1
6	SV08338	LIGHT SWITCH	1	1	1	1
7	SV03501	SPEED CONTROL	1	1	1	1
8	SV08578	BLOWER AND LIGHT KNOBS (2 KNOBS)	1	1	1	1
9	SV08548	BLOWER ROCKER SWITCH	1	1	1	1
10	SV17852	FILTER FILLER (PAIR)	-	-	1	-
11	SV17870	GREASE RAIL 30"	1	-	-	-
	SV17871	GREASE RAIL 36"	-	1	-	-
	SV17872	GREASE RAIL 42"	-	-	1	-
	SV17873	GREASE RAIL 48"	-	-	-	1
12	SV05869	BEST LOGO	1	1	1	1
13	SV17600	BAFFLE FILTER 8.84" x 9.80"	3	1	4	5
	SV17603	BAFFLE FILTER 11.84" x 9.80"	0	2	0	0
14	SV08337	FILTER SPRING (SET OF 6)	1	1	1	1
15	SV07680	BAFFLE FILTER HANDLE WITH SCREWS	3	3	4	5
16	SV05921	SHIELDED HALOGEN LAMPS (120 V, 50 W, GU-10)	2	2	2	2
*	SV08542	10" ROUND VERTICAL IN-LINE DAMPER	-	-	-	1
*	SV08342	CAPACITOR 25 µF	1	1	1	1
*	SV08544	INSTALLATION GUIDE	1	1	1	1
*	SV08545	PARTS BAG: 2 WIRE CONNECTORS, 1 WIRE CLAMP, 4 SCREWS NO. 8 x 3/8", 9 CHROME PLATED SCREWS NO. 8 x 1/2", 10 MECHANICAL SCREWS NO. 8-32 x 1/4"	1	1	1	1

* NOT SHOWN.

best®



SÉRIES CP34, CP35 ET CP37

⚠ CONÇUES POUR USAGE DOMESTIQUE SEULEMENT ⚠

LIRE ET CONSERVER CES DIRECTIVES

INSTALLATEUR : LAISSER CE GUIDE AU PROPRIÉTAIRE.
PROPRIÉTAIRE : DIRECTIVES D'UTILISATION ET D'ENTRETIEN
EN PAGES 28 ET 29.

BEST; Hartford, Wisconsin www.BestRangeHoods.com 800 558-1711

Pour enregistrer votre produit en ligne ou pour obtenir plus d'information, consultez notre site www.BestRangeHoods.com

⚠️ AVERTISSEMENT

AFIN DE RÉDUIRE LES RISQUES D'INCENDIE, D'ÉLECTROCUTION OU DE BLESSURES CORPORELLES, SUIVEZ LES DIRECTIVES SUIVANTES :

1. N'utilisez cet appareil que de la façon prévue par le fabricant. Si vous avez des questions, contactez le fabricant à l'adresse ou au numéro de téléphone indiqués dans la garantie.
2. Avant de réparer ou de nettoyer l'appareil, couper l'alimentation électrique en verrouillant le panneau de distribution afin d'éviter sa remise en marche accidentelle. Si le panneau de distribution ne peut être verrouillé, y fixer un avertissement en évidence, telle qu'une étiquette de couleur vive.
3. Les travaux d'installation et de raccordement électrique doivent être effectués par une personne qualifiée, conformément aux codes et aux standards de construction, incluant ceux concernant la protection contre les incendies.
4. Une quantité d'air adéquate est requise afin d'assurer une bonne combustion et l'évacuation des gaz par la cheminée dans le cas des équipements alimentés au gaz afin de prévenir les retours de cheminée. Conformez-vous aux instructions et aux standards de sécurité des fabricants d'équipement de chauffage, tel qu'ils sont publiés par la National Fire Protection Association (NFPA) et l'American Society for Heating, Refrigeration and Air Conditioning Engineers (ASHRAE) ainsi que les responsables des codes locaux.
5. Veillez à ne pas endommager le câblage électrique ou d'autres équipements non apparents lors de la découpe ou du perçage du mur ou du plafond.
6. Les ventilateurs avec conduits doivent toujours évacuer l'air à l'extérieur.
7. Ne pas utiliser cet appareil avec une commande de vitesse à semi-conducteur.
8. Afin de réduire les risques d'incendie, n'utilisez que des conduits de métal.
9. Cet appareil doit être mis à la terre.
10. Lorsqu'une réglementation est en vigueur et qu'elle comporte des exigences d'installation et/ou de certification plus restrictives, lesdites exigences prévalent sur celles de ce document et l'installateur entend s'y conformer à ses frais.

AFIN DE RÉDUIRE LES RISQUES DE FEU DE CUISINIÈRE :

- a) Ne jamais laisser les appareils de cuisson sans surveillance lorsqu'ils sont réglés à feu vif. Les débordements engendrent de la fumée et des déversements graisseux pouvant s'enflammer. Chauffez l'huile lentement, à feu doux ou moyen.
- b) Mettez toujours la hotte en marche lorsque vous cuisinez à feu vif ou que vous cuisinez des mets flambés (par ex. : crêpes Suzette, cerises jubilé, steaks au poivre flambés).
- c) Nettoyez régulièrement la (les) roue(s) du ventilateur. Ne laissez pas la graisse s'accumuler sur le ventilateur, les filtres ou les conduits d'évacuation.
- d) Utilisez le bon format de casserole. Servez-vous toujours de casseroles et d'ustensiles appropriés à la dimension de la surface chauffante.

⚠️ AVERTISSEMENT

AFIN D'ÉVITER TOUT RISQUE DE BLESSURES LORS D'UN FEU DE CUISINIÈRE, SUIVEZ CES DIRECTIVES* :

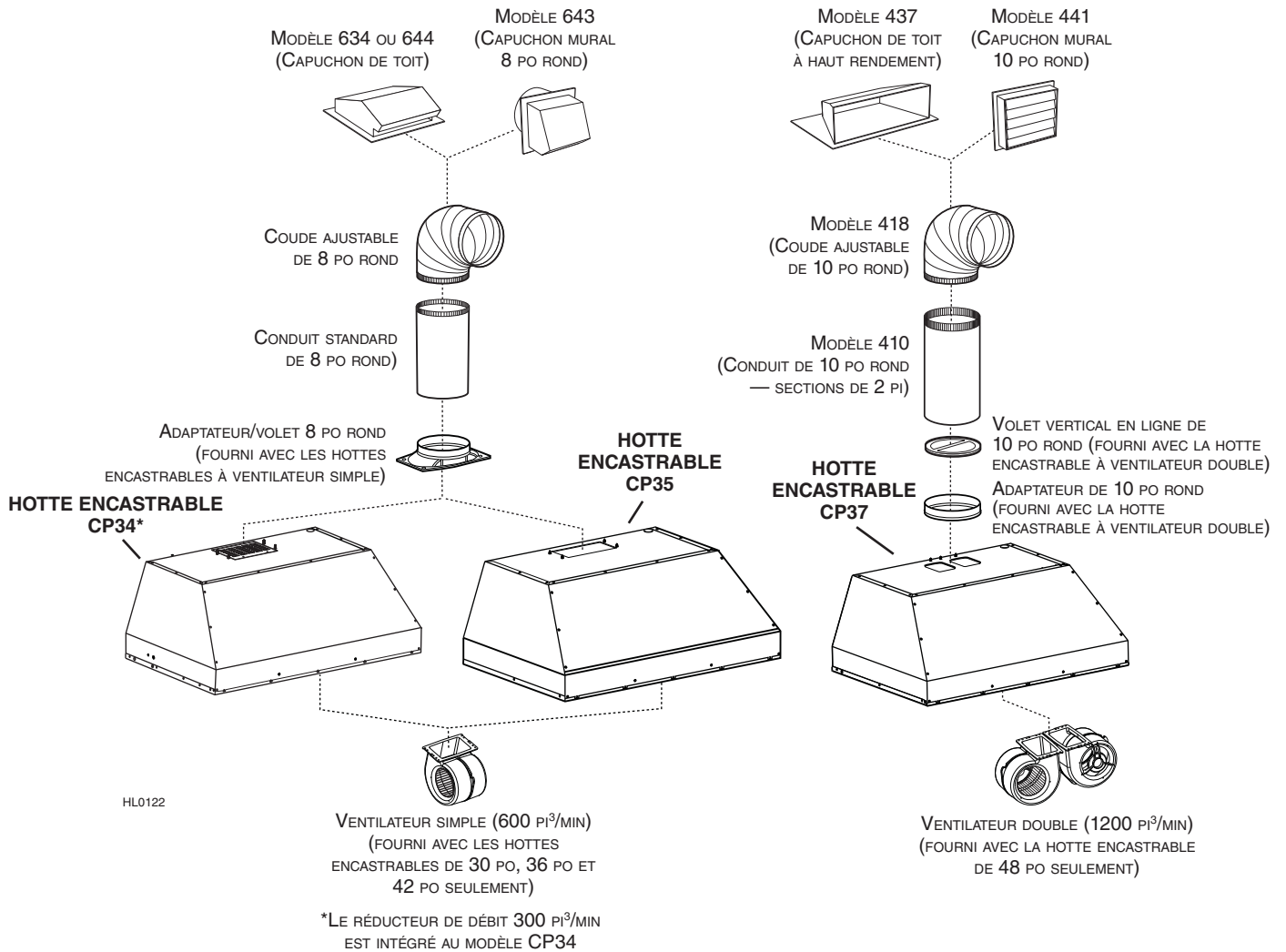
1. Éteignez les flammes avec un couvercle hermétique, une tôle à biscuits ou un plateau métallique et ensuite, éteindre le brûleur. PRENEZ SOIN D'ÉVITER les brûlures. SI LES FLAMMES NE S'ÉTEIGNENT PAS IMMÉDIATEMENT, ÉVACUEZ LES LIEUX ET APPELEZ LES POMPIERS.
2. NE PRENEZ JAMAIS UNE CASSEROLE EN FLAMMES DANS VOS MAINS. Vous pourriez vous brûler.
3. N'UTILISEZ PAS D'EAU, incluant un linge à vaisselle ou une serviette mouillée, cela pourrait occasionner une violente explosion de vapeur.
4. N'utilisez un extincteur QUE DANS LE CAS OÙ :
 - A. Vous savez qu'il s'agit d'un extincteur de classe ABC et que vous en connaissez le fonctionnement.
 - B. L'incendie est petit et limité à l'endroit où il a débuté.
 - C. Les pompiers ont été avisés.
 - D. Vous pouvez combattre l'incendie en ayant accès à une sortie de secours.

*Tirées du Kitchen Fire Safety Tips publié par la NFPA.

ATTENTION

1. Pour une utilisation à l'intérieur seulement.
2. Pour usage domestique seulement. Ne pas utiliser pour évacuer des vapeurs ou des matières dangereuses ou explosives.
3. Afin d'éviter tout dommage au moteur et de débalancer ou de rendre bruyante la roue du moteur, garder votre appareil à l'abri des poussières de gypse et de construction/rénovation, etc.
4. Le moteur de votre hotte encastrable possède une protection thermique qui éteindra automatiquement le moteur s'il devient surchauffé. Le moteur redémarrera automatiquement une fois refroidi. Si le moteur continue à arrêter et à redémarrer, faites-le vérifier.
5. La distance minimale entre le bas de votre hotte et la surface de cuisson ne doit pas être inférieure à 24 po. Un maximum de 30 po au-dessus de la surface de cuisson est recommandé pour une meilleure évacuation des odeurs de cuisson.
6. Deux installateurs sont recommandés lors de l'installation vu la grande dimension et le poids de cet appareil.
7. Afin de réduire les risques d'incendie, assurez-vous d'évacuer l'air à l'extérieur. Ne pas évacuer l'air dans des espaces restreints comme l'intérieur des murs ou plafond ou dans le grenier, faux plafond ou garage.
8. Cet appareil est équipé d'un thermostat pouvant faire démarrer le ventilateur automatiquement. Afin de réduire le risque de blessure, couper le courant à partir du panneau électrique et le verrouiller ou apposer un avertissement sur le panneau afin de prévenir que la hotte ne soit mise en marche accidentellement.
9. À cause de la grande capacité d'évacuation de cet appareil, il est recommandé d'ouvrir une fenêtre dans ou près de la cuisine afin de remplacer l'air évacué.
10. Afin de réduire les risques d'incendie et d'électrocution, les modèles Best de la série CP34, CP35 et CP37 doivent être installés uniquement avec leurs ventilateurs intérieurs intégrés. Aucun autre ventilateur ne doit être utilisé.
11. Veuillez consulter l'autocollant apposé à l'intérieur du produit pour plus d'information ou autres exigences.

- SYSTÈMES DE HOTTES ENCASTRABLES - CP34, CP35 ET CP37



1. PRÉPARER L'INSTALLATION

⚠ AVERTISSEMENT

Il est recommandé de porter des lunettes et des gants de sécurité lors de l'installation, de l'entretien et de la réparation de cet appareil.

NOTE : Avant de commencer l'installation, vérifier le contenu de la boîte. Si des pièces sont manquantes ou endommagées, contacter le manufacturier.

S'assurer que les articles suivants sont inclus :

- Hotte encastrable
- Accessoires :
 - Filtres à chicane avec poignées :
 - CP34 et CP35 : 3 pour les modèles de 30 po et 36 po de largeur, 4 pour le modèle de 42 po de largeur
 - CP37 : 5 pour ce modèle de 48 po de largeur
 - 2 ampoules halogènes avec écran (120 V, 50 W, MR16 avec culot GU10 ou PAR16 à culot GU10)
 - Adaptateur/volet de 8 po rond (fourni avec les hottes encastrables à ventilateur simple)
 - Volet vertical en ligne de 10 po rond (fourni avec la hotte encastrable à ventilateur double)
 - Adaptateur de 10 po rond (fourni avec la hotte encastrable à ventilateur double)
 - Sac de pièces incluant : 1 serre-fils, 2 capuchons de connexion, 4 vis n° 8 x 3/8 po, 9 vis plaquées chrome n° 8 x 1/2 po, 10 vis n° 8-32 x 1/4 po. Jeter les vis excédentaires s'il y a lieu.

Pièces vendues séparément :

Conduits, coudes, capuchons de mur ou de toit. Consulter la page 19 pour la liste complète des accessoires de ventilation et les numéros de modèle.

NOTE : Pendant l'installation, protéger la surface de cuisson et le comptoir de cuisine.

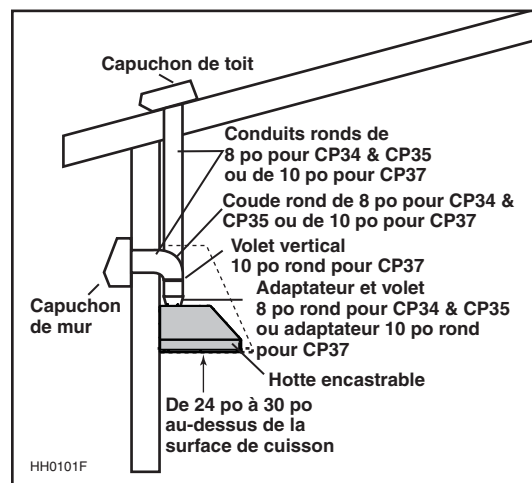
2. INSTALLER LES CONDUITS ET LE CÂBLAGE ÉLECTRIQUE

Déterminer à quel endroit et comment les conduits seront installés. Un accès au dessus de la hotte est préférable pour le raccordement des conduits.

Installer des conduits de dimensions appropriées, coude(s) et capuchon de mur ou de toit selon le type de ventilateur. Pour l'installation de la hotte encastrable CP34 ou CP35, utiliser des conduits ronds de 8 po et pour l'installation de la hotte encastrable CP37, utiliser des conduits ronds de 10 po. Utiliser du ruban adhésif de métal de 2 po pour assurer l'étanchéité des joints.

La distance entre le bas de votre hotte et la surface de cuisson ne doit pas être inférieure à 24 po. Un maximum de 30 po au-dessus de la surface de cuisson est recommandé pour une meilleure évacuation des odeurs de cuisson.

Une distance de plus de 30 po demeure à la discrétion de l'installateur et de l'utilisateur. Acheminer le câble d'alimentation électrique à 3 conducteurs jusqu'à l'emplacement de la hotte. Le câble devrait excéder de 4 pi le dessous de la hotte.



INSTALLATION TYPE MODÈLES CP34 ET CP35 (VENTILATEUR SIMPLE) OU CP37 (VENTILATEUR DOUBLE)

3. PRÉPARER L'ARMOIRE POUR HOTTE

⚠ AVERTISSEMENT

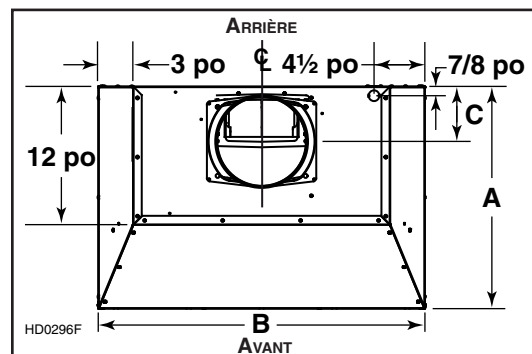
Toujours suivre les codes et standards en vigueur lors de la construction de l'armoire pour hotte.

Construire l'armoire en fonction du format et du poids total des hottes encastrables CP34, CP35 ou CP37.

Consulter le tableau et l'illustration pour plus de détails.

MODÈLE DE HOTTE ENCASTRABLE	LARGEUR	POIDS TOTAL	DIMENSIONS DE LA HOTTE		
			A*	B*	C
CP34 ET CP35	30 PO	33 LB	19 ⁵ / ₁₆ PO	28 ⁷ / ₁₆ PO	4 ⁷ / ₈ PO
	36 PO	37,2 LB	19 ⁵ / ₁₆ PO	34 ⁷ / ₁₆ PO	4 ⁷ / ₈ PO
	42 PO	41,6 LB	19 ⁵ / ₁₆ PO	40 ⁷ / ₁₆ PO	4 ⁷ / ₈ PO
CP37	48 PO	56,5 LB	22 ⁹ / ₁₆ PO	46 ⁷ / ₁₆ PO	5 ⁷ / ₈ PO

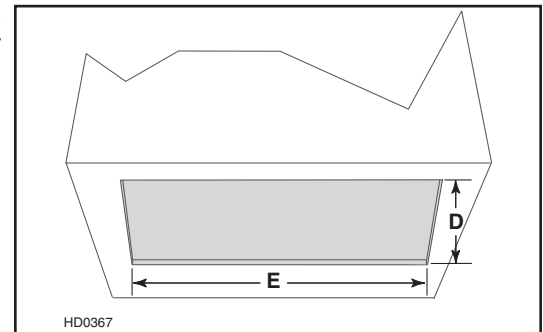
* Les têtes de rivets sont incluses dans les dimensions A et B.



3. PRÉPARER L'ARMOIRE POUR HOTTE (SUITE)

Afin de réduire l'espace autour de la hotte encastrable, mesurer la longueur et la profondeur de celle-ci et ajouter 1/16 po pour obtenir les mesures de **D** et **E**. Découper l'ouverture dans la base de l'armoire selon les dimensions obtenues. Consulter le tableau et l'illustration pour plus de détails.

MODÈLE DE HOTTE ENCASTRABLE	LARGEUR	DIMENSIONS DE LA DÉCOUPE	
		D	E
CP34 ET CP35	30 PO	19 $\frac{3}{8}$ PO	28 $\frac{1}{2}$ PO
	36 PO	19 $\frac{3}{8}$ PO	34 $\frac{1}{2}$ PO
	42 PO	19 $\frac{3}{8}$ PO	40 $\frac{1}{2}$ PO
CP37	48 PO	22 $\frac{5}{8}$ PO	46 $\frac{1}{2}$ PO



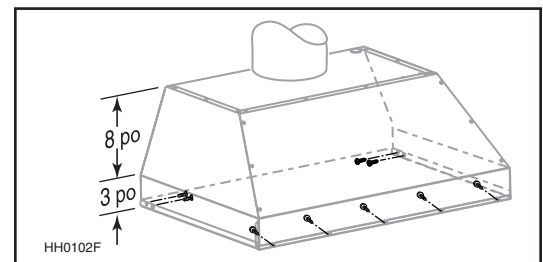
4. ASSEMBLER LA CHARPENTE DE L'ARMOIRE

⚠ AVERTISSEMENT

La charpente doit être fixée solidement aux montants ou autre structure derrière la cloison. S'assurer qu'elle peut supporter son propre poids en plus de celui de la CP34, CP35 ou de la CP37. Ne pas suivre cette directive peut entraîner des blessures corporelles ou des dommages à la surface de cuisson ou au comptoir de cuisine.

Les hottes encastrables CP34, CP35 et CP37 sont fixées à la charpente de l'armoire à l'aide des vis fournies dans le sac de pièces.

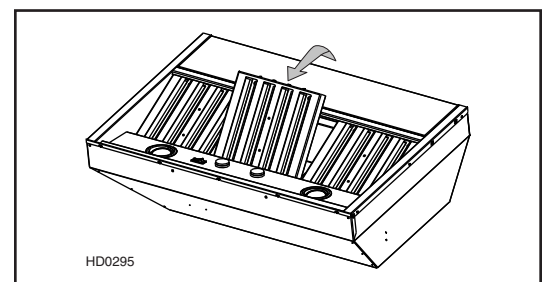
Puisque les trous d'assemblage des hottes encastrables CP34, CP35 et CP37 sont situés à l'avant et sur les côtés arrière (voir l'illustration ci-contre), prévoir installer un cadrage de bois à l'avant et de chaque côté pour supporter la hotte.



5. RETIRER LES FILTRES

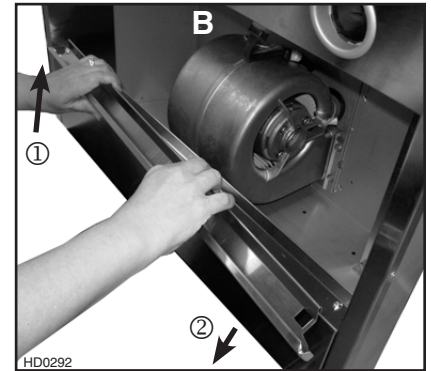
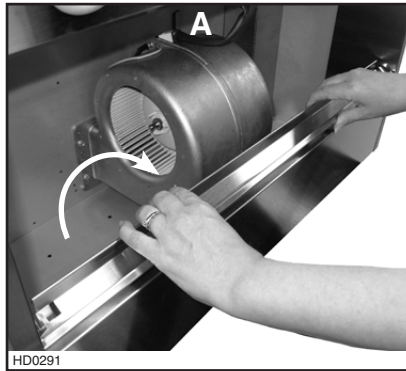
Enlever le ruban adhésif des filtres. Retirer les filtres de la hotte encastrable et les mettre de côté.

NOTE : Il est recommandé de commencer par le(s) filtre(s) du centre.



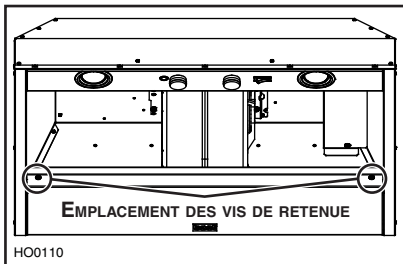
6. RETIRER LA GOUTTIÈRE

- A. Soulever la gouttière pour la dégager du panneau inférieur.
- B. Glisser la gouttière complètement vers la gauche ou la droite (①) et soulever l'extrémité opposée pour la dégager du panneau inférieur (②). La retirer de la hotte encastrable et la mettre de côté.

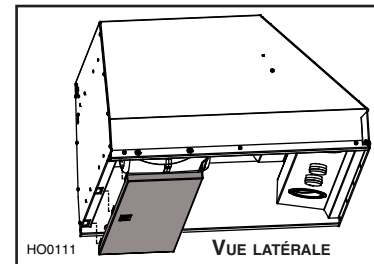


7. RETIRER LE PANNEAU INFÉRIEUR

À l'aide d'un tournevis Phillips, retirer les deux vis de retenue du panneau inférieur et les mettre de côté.

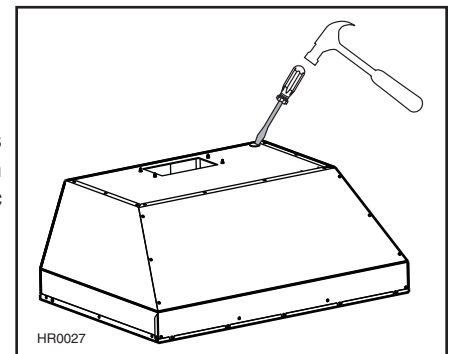


Retirer le panneau inférieur de la hotte encastrable et le mettre de côté.



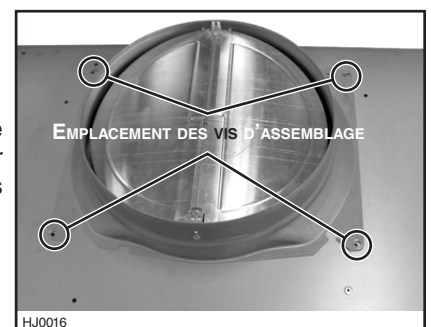
8. DÉFONCER L'OUVERTURE PRÉAMORCÉE

Par l'intérieur de la hotte encastrable, retirer le couvercle de la boîte de jonction en dévissant les 2 vis de fixation et les mettre de côté. Défoncer l'ouverture préamorcée pour le fil d'alimentation électrique située sur le dessus de la hotte encastrable. Installer le serre-fils (fourni dans le sac de pièces).



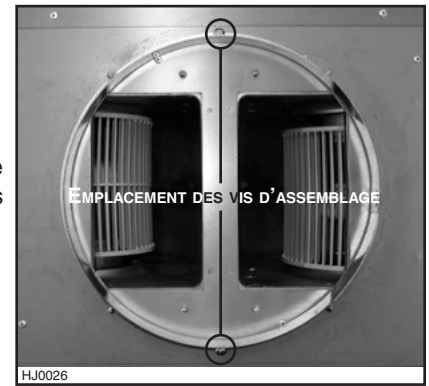
9. INSTALLER L'ADAPTATEUR/VOLET (MODÈLES CP34 ET CP35)

À l'aide de 4 vis n° 8 x 3/8 po fournies dans le sac de pièces, assembler l'adaptateur/volet sur le dessus de la hotte encastrable. Le cas échéant, retirer le ruban adhésif des volets pour assurer leur bon fonctionnement. Sceller les joints avec du ruban adhésif de métal pour éliminer les fuites d'air.

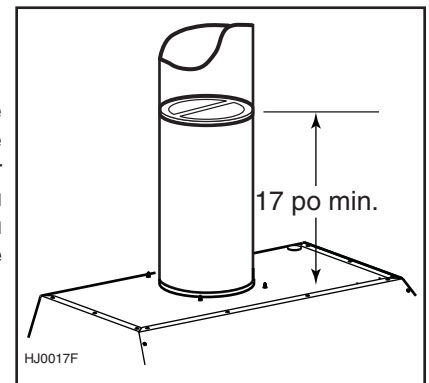


10. INSTALLER L'ADAPTATEUR ET LE VOILET (MODÈLE CP37 SEULEMENT)

À l'aide de 2 vis n° 8 x 3/8 po fournies dans le sac de pièces, assembler l'adaptateur sur le dessus de la hotte encastrable. Sceller les joints avec du ruban adhésif de métal pour éliminer les fuites d'air.



Installer le volet de 10 po à l'intérieur du conduit VERTICAL, lequel sera rattaché à la hotte encastrable. Ne pas l'installer dans un conduit horizontal car l'ouverture et la fermeture ne pourraient se faire adéquatement. Retirer le ruban adhésif s'il y a lieu. Pour optimiser le débit d'air et réduire le bruit, placer le volet à au moins 17 po du dessus de la hotte encastrable CP37, ou le plus éloigné possible selon la longueur du conduit (voir l'illustration ci-contre). Fixer le volet au conduit à l'aide de 3 vis à métaux n° 8 (non fournies). S'assurer que le volet s'ouvre et se ferme librement. Sceller les joints avec du ruban adhésif de métal pour éliminer les fuites d'air.



11. BRANCHEMENT ÉLECTRIQUE

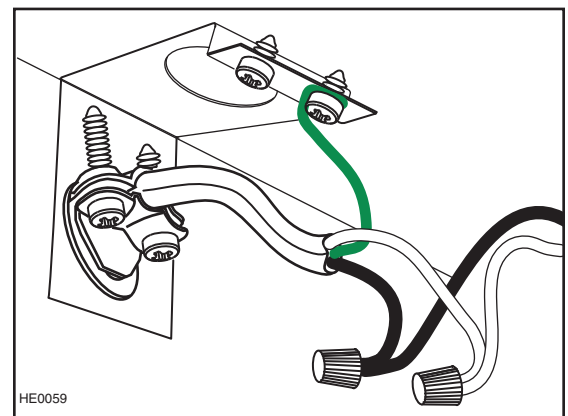
⚠ AVERTISSEMENT

Risque d'électrocution. Le raccordement électrique doit être effectué par du personnel qualifié conformément aux codes et aux standards. Avant d'effectuer le branchement, coupez l'alimentation électrique au panneau de distribution et verrouillez-le pour éviter une mise en marche accidentelle.

Placer la hotte encastrable sous son armoire. Passer le câble d'alimentation électrique à travers le serre-fils précédemment installé à l'étape 8. Serrer le serre-fils pour retenir le fil d'alimentation en place.

À l'aide des capuchons de connexion fournis, connecter les fils de la hotte aux fils du câble d'alimentation dans la boîte de jonction.

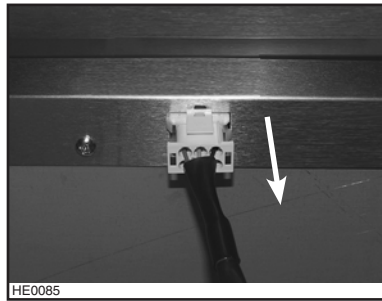
Connecter le fil NOIR au NOIR, le fil BLANC au BLANC et le fil VERT ou dénudé à la vis de mise à la terre. **NE PAS OUBLIER DE CONNECTER LA MISE À LA TERRE.** Remettre en place le couvercle de la boîte de jonction.



12. RETIRER LE(S) VENTILATEUR(S)

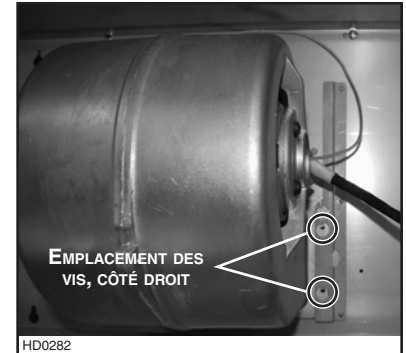
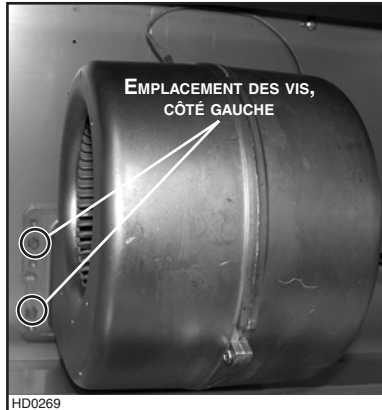
Afin de faciliter l'alignement de la hotte encastrable avec des conduits déjà installés, débrancher et désassembler le(s) ventilateur(s) de la hotte encastrable avant d'installer celle-ci dans son armoire.

Débrancher le(s) ventilateur(s).

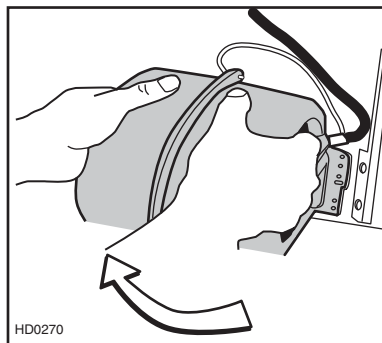


MODÈLES CP34 ET CP35

À l'aide d'une douille 5/16 po, enlever toutes les vis retenant le ventilateur au dessus intérieur de la hotte encastrable. Mettre les vis de côté.



Faire glisser le ventilateur pour dégager sa bride de son support de fixation. Mettre le ventilateur de côté.

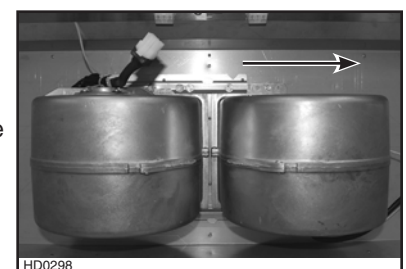


MODÈLE CP37

Pour chaque ventilateur, à l'aide d'une douille 5/16 po, enlever toutes les vis retenant le ventilateur aux supports de fixation avant et arrière du dessus intérieur de la hotte encastrable. Mettre les vis de côté.



Pour chaque ventilateur, le faire glisser pour dégager ses brides des supports de fixation. Mettre les ventilateurs de côté.



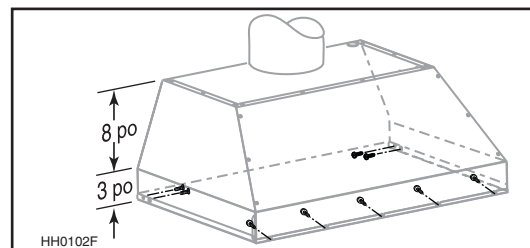
13. INSTALLER LA HOTTE ENCASTRABLE

ATTENTION

Prendre soin de ne pas gauchir les conduits en installant la hotte encastrable.

À l'aide des vis plaquées chrome n° 8 x 1/2 po, encastrer la hotte dans son armoire. Commencer par 2 vis pour les coins avant, puis visser les 4 vis des côtés. Utiliser les vis restantes pour fixer l'avant de la hotte encastrable. (Voir l'illustration ci-contre pour l'emplacement spécifique des vis de montage.)

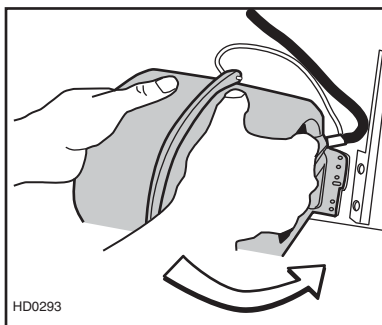
S'assurer que l'adaptateur/volet (ou l'adaptateur) entre dans le conduit. Si l'accès au dessus de la hotte encastrable est ouvert, sceller le joint avec du ruban à conduits.



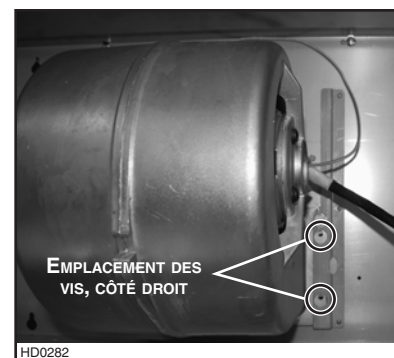
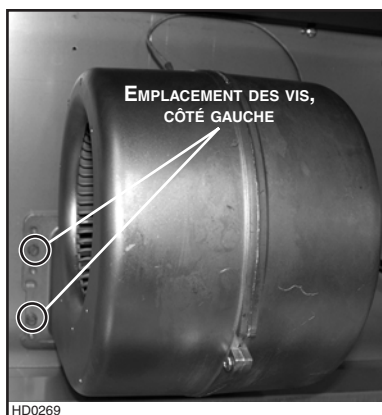
14. REMETTRE EN PLACE LE(S) VENTILATEUR(S)

MODÈLES CP34 ET CP35

Glisser le ventilateur pour engager sa bride dans le support de fixation.



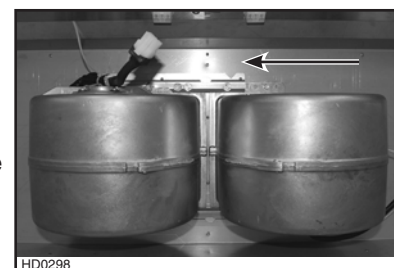
À l'aide d'une douille 5/16 po et de toutes les vis retirées précédemment à l'étape 12, fixer le ventilateur au dessus intérieur de la hotte encastrable.



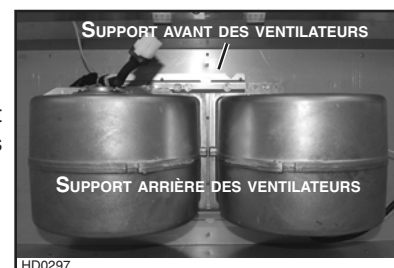
MODÈLE CP37

Pour chaque ventilateur, le glisser pour engager ses brides dans les deux supports de fixation.

NOTE : Les deux ventilateurs sont identiques et peuvent être assemblés d'un côté ou de l'autre de la hotte encastrable.



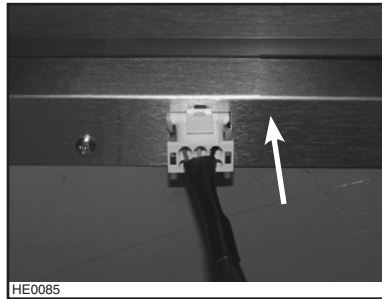
Pour chaque ventilateur, à l'aide d'une douille 5/16 po et de toutes les vis retirées précédemment à l'étape 12, fixer le ventilateur au dessus intérieur de la hotte encastrable, à travers les supports avant et arrière.



14. REMETTRE EN PLACE LE(S) VENTILATEUR(S) (SUITE)

TOUS LES MODÈLES

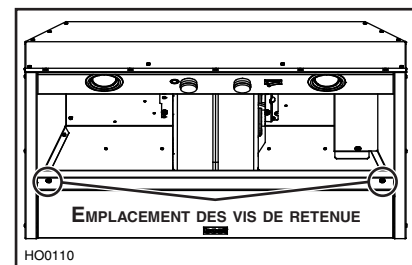
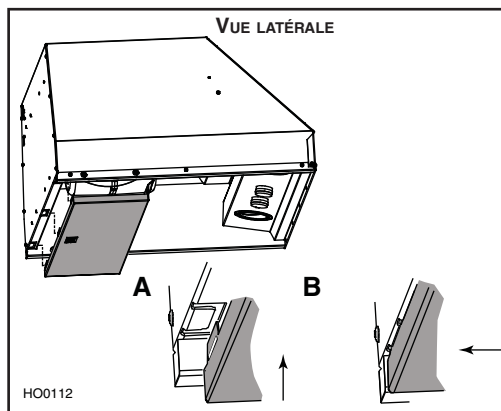
Rebrancher le(s) ventilateur(s).



15. REMETTRE EN PLACE LE PANNEAU INFÉRIEUR

Soulever le panneau inférieur et engager les pattes de métal de la hotte dans les fentes du panneau inférieur, tel qu'il est illustré dans les détails **A** et **B** ci-dessous.

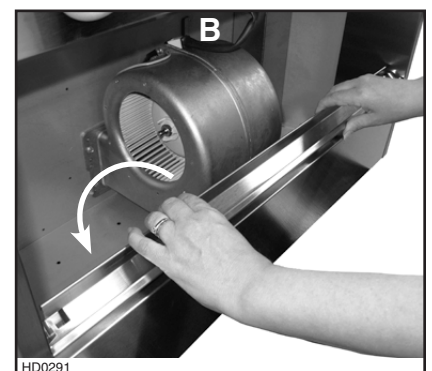
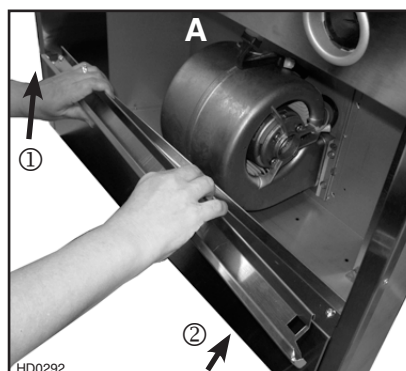
Fixer le panneau inférieur à la hotte encastrable à l'aide de ses vis retirées précédemment à l'étape 7.



16. REMETTRE LA GOUTIÈRE EN PLACE

A. Insérer une extrémité de la gouttière dans un côté de la hotte encastrable (①) tout en soulevant l'autre extrémité par dessus le rebord du panneau inférieur (②).

B. Centrer la gouttière au dessus du rebord du panneau inférieur et la rabaisser pour l'enclencher en place.



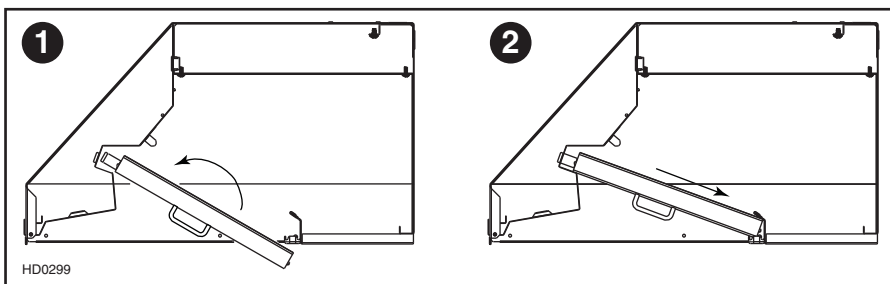
17. RÉINSTALLER LES FILTRES À CHICANE

ATTENTION

Avant d'installer les filtres à chicane, retirer le plastique protecteur de ceux-ci.

Il est recommandé d'installer d'abord les filtres situés aux extrémités et de terminer par le(s) filtre(s) du centre.

1. Insérer une extrémité du filtre dans le rail avant de la hotte.
2. Lever l'autre bout du filtre à l'intérieur de la hotte et l'insérer dans la gouttière.



18. AMPOULES

L'éclairage de cette hotte est produit par des ampoules halogènes avec écran (120 V, 50 W, MR16 à culot GU10 ou PAR16 à culot GU10), incluses.

NOTE : Avant d'utiliser les ampoules, retirer le ruban adhésif (si présent).

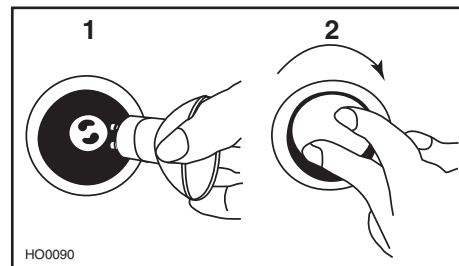
⚠ AVERTISSEMENT

Ne pas toucher aux lampes durant ou peu après leur utilisation. Peuvent causer des brûlures. Afin de réduire le risque de blessures corporelles, n'installer que des ampoules halogènes avec écran. Aussi, ne jamais installer une ampoule à faisceau froid, dichroïque, non conçue pour des luminaires encastrés ou conçue uniquement pour des luminaires fermés.

1. Installer les ampoules en glissant leurs conducteurs dans les rainures, à l'intérieur des douilles.
2. Pousser doucement vers le haut et tourner dans le sens des aiguilles d'une montre jusqu'à ce que les ampoules soient bien en place.

Pour retirer les ampoules, pousser doucement vers le haut et tourner dans le sens contraire des aiguilles d'une montre pour dégager les conducteurs hors de leurs rainures.

NOTE : Pour obtenir une meilleure prise de l'ampoule lors de son retrait, utiliser un gant à vaisselle ou la ventouse de Best. Contacter le Service à la clientèle de Best au 1 800 558-1711 pour commander la ventouse, numéro de pièce 99526707.



19. ENTRETIEN

Filtres à chicane

Les filtres à chicane doivent être nettoyés fréquemment. Utiliser une solution d'eau chaude et de détergent. Nettoyer les filtres à chicane souvent si vos habitudes de cuisson génèrent beaucoup de graisse, comme la friture ou les aliments sautés au wok. Les filtres à chicane sont lavables au lave-vaisselle.

Retirer les filtres à chicane en les poussant vers l'arrière de la hotte et en les retournant vers le bas. Laisser les filtres sécher complètement avant de les réinstaller dans la hotte encastrable.

Nettoyer les filtres fabriqués entièrement de métal au lave-vaisselle à l'aide d'un détergent sans phosphate. L'utilisation d'un détergent avec phosphates ainsi que les conditions locales de l'eau peuvent entraîner une décoloration des filtres, sans toutefois affecter leur performance. Cette décoloration n'est pas couverte par la garantie.

Boutons des commandes

Ces boutons peuvent être retirés pour être nettoyés. Pour ce faire, desserrer la vis d'ajustement à l'aide d'une clé hexagonale de 1/16 po (offerte dans une quincaillerie près de chez vous).

Gouttière

La gouttière doit être nettoyée fréquemment. La retirer de la hotte encastrable (voir l'étape 6 en page 21) et se servir d'une solution d'eau chaude et de détergent. Comme pour les filtres à chicane, les nettoyer souvent si vos habitudes de cuisson génèrent beaucoup de graisse, comme la friture ou les aliments sautés au wok. Essuyer complètement la gouttière avant de la remettre en place.

Nettoyage du (des) ventilateur(s)

Retirer les filtres pour accéder au(x) ventilateur(s) et passer l'aspirateur. Ne pas le(s) plonger dans l'eau.

Nettoyage de la hotte

Acier inoxydable :

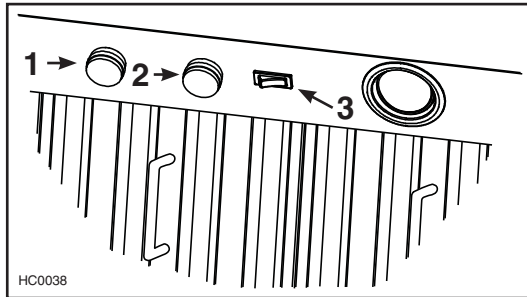
À faire :	À éviter :
<ul style="list-style-type: none">• Laver régulièrement les surfaces à l'aide d'un chiffon ou linge propre imbibé d'eau tiède et de savon doux ou de détergent liquide à vaisselle.• Toujours nettoyer dans le sens du polissage.• Toujours bien rincer avec de l'eau claire (2 à 3 fois) et essuyer complètement.• Un nettoyant domestique conçu spécialement pour l'acier inoxydable peut aussi être utilisé.	<ul style="list-style-type: none">• Ne pas utiliser de laine d'acier ou d'acier inoxydable ou tout autre grattoir pour enlever la saleté tenace.• Ne pas utiliser une poudre nettoyante abrasive ou rugueuse.• Ne pas laisser la saleté s'accumuler.• Ne pas laisser la poussière de plâtre ou tout autre résidu de construction atteindre la hotte. Couvrir la hotte pour la durée des travaux afin de s'assurer qu'aucune poussière n'atteigne la hotte.

À éviter lors du choix d'un détergent :

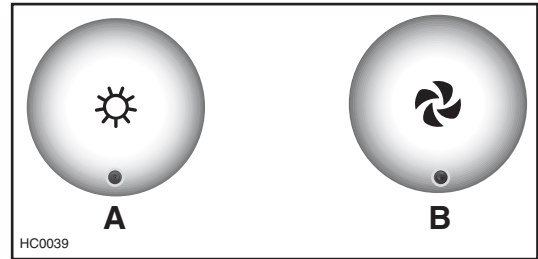
- Tous produits nettoyants contenant des **agents de blanchiment**; ils attaqueront l'acier inoxydable.
- Tous produits contenant du **chlorure**, du **fluorure**, de l'**iode** ou du **bromure**; ils détérioreront rapidement les surfaces.
- Tous produits combustibles utilisés pour le nettoyage : **acétone**, **alcool**, **éther**, **benzène**, etc.; ils sont grandement explosifs et ne devraient jamais être utilisés près d'une cuisinière.

20. FONCTIONNEMENT

Toujours mettre en marche le ventilateur avant de commencer la cuisson afin d'établir une circulation d'air dans la cuisine. Laisser également le ventilateur fonctionner quelques minutes après l'arrêt de la cuisinière afin de nettoyer l'air. Ceci aidera à garder la cuisine plus propre et plus claire.



- 1) BOUTON D'ÉCLAIRAGE HALOGÈNE
- 2) BOUTON DE LA COMMANDE DE VITESSE DU VENTILATEUR
- 3) INTERRUPTEUR MARCHE/ARRÊT DU VENTILATEUR



- A) BOUTON D'ÉCLAIRAGE HALOGÈNE
- B) BOUTON DE LA COMMANDE DE VITESSE DU VENTILATEUR

ÉCLAIRAGE DE LA SURFACE DE CUISSON (HALOGÈNE)

Un bouton rotatif à 3 positions (1) commande les lampes halogènes (arrêt - basse intensité - intensité élevée).

VENTILATEUR

Le ventilateur fonctionne à l'aide de deux commandes.

Utiliser l'interrupteur à bascule marche/arrêt (3) pour mettre en marche et arrêter le ventilateur. Lorsqu'il est en marche, le ventilateur fonctionne à la vitesse réglée par le bouton de la commande de vitesse (2).

Tourner le bouton de commande de vitesse dans le sens contraire des aiguilles d'une montre pour augmenter la vitesse du ventilateur et dans le sens des aiguilles d'une montre pour ralentir la vitesse du ventilateur.

HEAT SENTRY^{MC}

Cette hotte est équipée d'un thermostat Heat Sentry^{MC}. Ce thermostat est un dispositif qui mettra en marche ou augmentera automatiquement la vitesse du ventilateur s'il détecte une chaleur excessive au-dessus de la surface de cuisson.

- 1) Si le ventilateur n'est pas en marche, il actionnera le ventilateur à haute vitesse.
- 2) Si le ventilateur fonctionne en basse vitesse, le ventilateur passera en vitesse maximale.

⚠ AVERTISSEMENT

Lors d'un feu de cuisson ou d'une chaleur excessive, le HEAT SENTRY peut mettre le ventilateur en marche même s'il est arrêté. Si tel est le cas, il est impossible d'arrêter le ventilateur avec avec son interrupteur. Si vous devez arrêter le ventilateur, faites-le depuis le panneau de distribution principal.

Lorsque la température revient à la normale, le ventilateur retourne à sa vitesse d'origine.

21. GARANTIE

GARANTIE LIMITÉE DE UN AN

Broan-NuTone LLC (« Broan-NuTone ») garantit à l'acheteur consommateur initial de ses produits qu'ils sont exempts de tout défaut dans les matières premières ou la main-d'œuvre, pour une période de un an à compter de la date d'achat par le consommateur initial. IL N'Y A PAS D'AUTRES GARANTIES, EXPRIMÉES OU IMPLICITES, INCLUANT, MAIS NON LIMITÉES AUX GARANTIES IMPLICITES POUR FIN DE COMMERCIALISATION ET DE CONVENANCE DANS UN BUT PARTICULIER.

Durant cette période de un an, Broan-NuTone, à sa discrétion, réparera ou remplacera gratuitement tout produit ou pièce qui s'avère défectueux et ayant été utilisé normalement et d'une manière non abusive.

CETTE GARANTIE NE COUVRE PAS LES STARTERS DE TUBES FLUORESCENTS, LES FLUORESCENTS ET LES AMPOULES, LES FUSIBLES, LES FILTRES, LES CONDUITS, LES CAPUCHONS DE MUR, LES CAPUCHONS DE TOIT ET LES AUTRES ACCESSOIRES DE CONDUITS. Cette garantie ne couvre pas (a) l'entretien et le service normal ou (b) tout produit ou pièce endommagé à la suite de mauvais usage, négligence, accident, entretien inapproprié ou réparation (autre que par Broan-NuTone), mauvaise installation ou installation non conforme au mode d'installation recommandé.

La durée de toute garantie implicite est limitée à une période de un an telle qu'elle est spécifiée pour la garantie exprimée. Certains États ou provinces ne permettent pas de limite de temps sur les garanties implicites. Si tel est le cas, veuillez ne pas tenir compte de la dernière limite décrite ci-dessus.

L'ENGAGEMENT DE BROAN-NUTONE DE RÉPARER OU DE REMPLACER, AU CHOIX DE BROAN-NUTONE, SERA LA SEULE OBLIGATION EXCLUSIVE SOUS CETTE GARANTIE. BROAN-NUTONE NE SERA PASTENUE RESPONSABLE DES DOMMAGES DIRECTS, INDIRECTS OU SPÉCIAUX SURVENANT À CAUSE DE OU EN RAPPORT À L'UTILISATION OU À LA PERFORMANCE DE SES PRODUITS. Certains États ou provinces ne permettent pas l'exclusion ou la limite relative aux dommages directs, indirects ou spéciaux. Si tel est le cas, veuillez ne pas tenir compte de l'exclusion ou de la limite ci-dessus.

Cette garantie vous donne des droits légaux spécifiques et il se peut que vous ayez d'autres droits qui varient d'un État ou d'une province à l'autre. Toute modification effectuée sur ce produit sans l'autorisation de Broan-NuTone annulera cette garantie. Cette garantie annule toutes les autres garanties précédentes.

Pour bénéficier du service sous garantie, vous devez (a) aviser Broan-NuTone à l'adresse ou numéro de téléphone mentionné plus bas, (b) donner le numéro du modèle et l'identification de la pièce et (c) décrire la nature de tout défaut dans le produit ou la pièce. Au moment de la demande de service sous garantie, vous devez présenter une preuve de la date d'achat initial dudit produit.

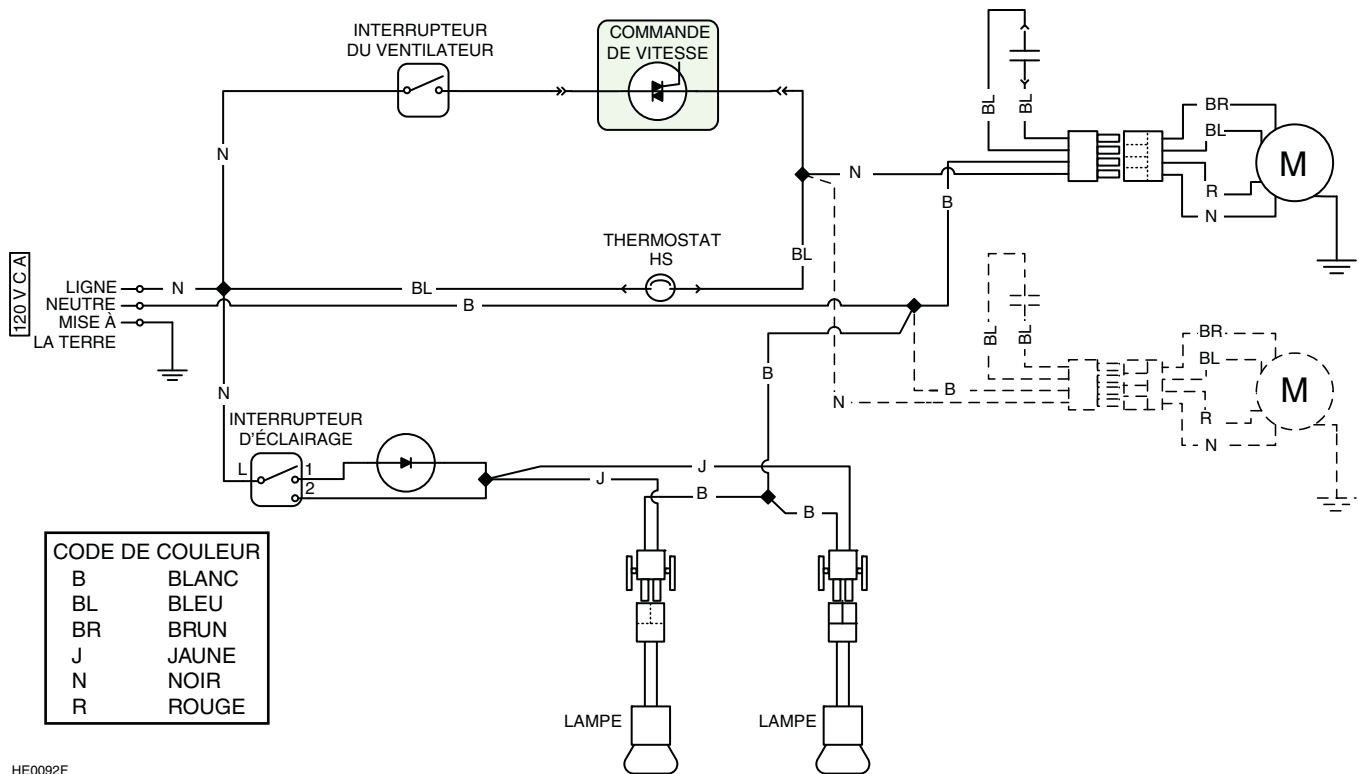
Best®, 926 W. State Street, Hartford, WI 53027 (1 800 558-1711)

www.bestranghoods.com

22. SCHÉMA ÉLECTRIQUE

⚠ AVERTISSEMENT

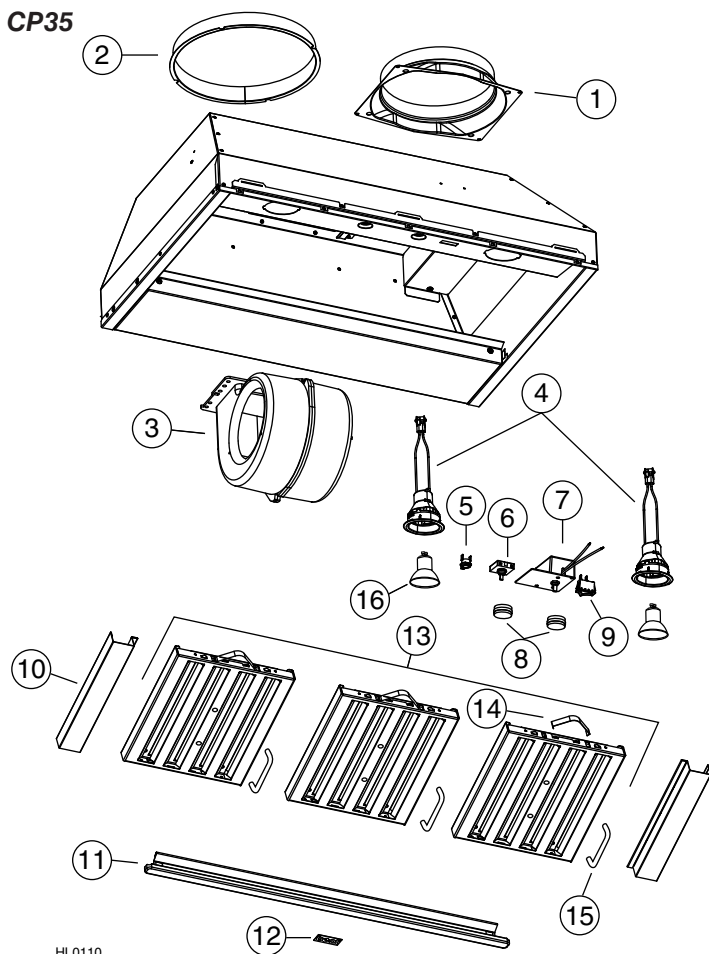
Risque d'électrocution. Le raccordement électrique doit être effectué par du personnel qualifié conformément aux codes et aux standards. Avant d'effectuer le branchement, coupez l'alimentation électrique au panneau de distribution et verrouillez-le pour éviter une mise en marche accidentelle.



HE0092F

23. PIÈCES DE REMPLACEMENT

Best séries CP34, CP35
et CP37



HL0110

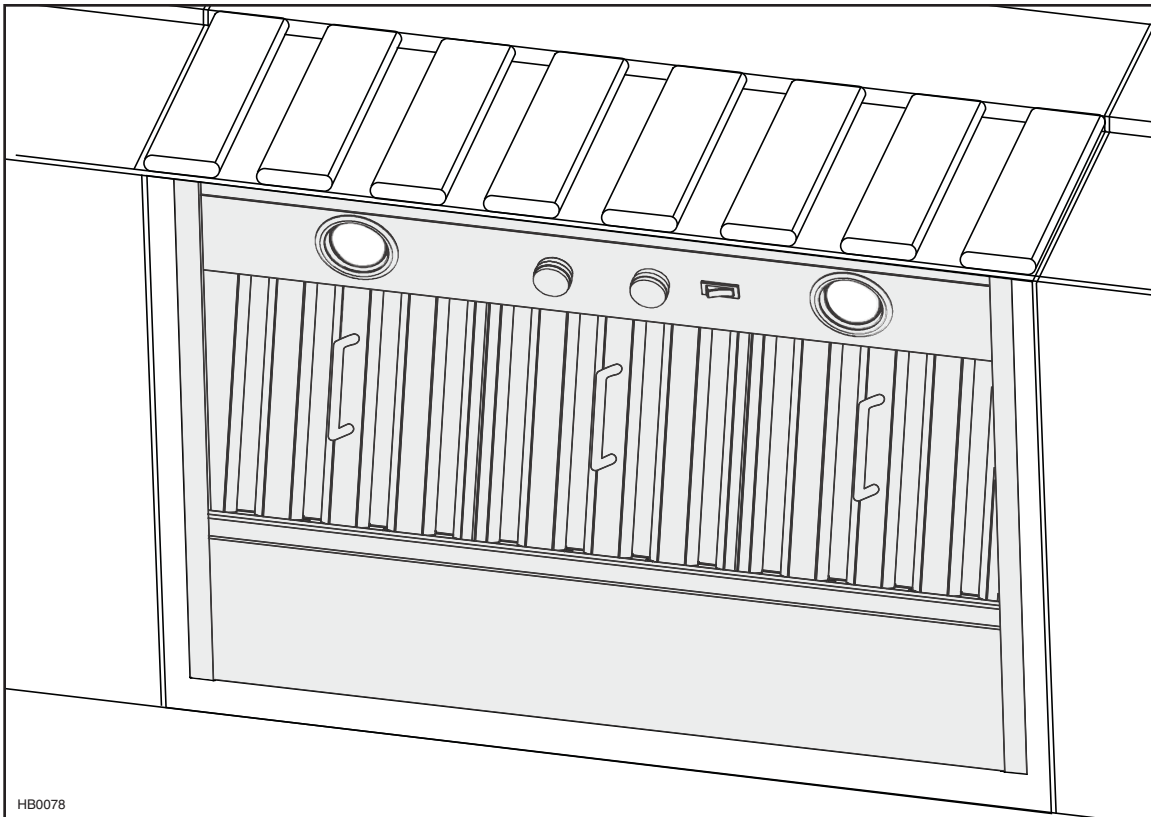
PIÈCES DE REMPLACEMENT ET SERVICE

Pour assurer le bon fonctionnement de votre appareil, vous devez toujours utiliser des pièces d'origine provenant de Broan-NuTone. Les pièces d'origine de Broan-NuTone sont spécialement conçues pour satisfaire toutes les normes de certification de sécurité applicables. Leur remplacement par des pièces ne provenant pas de Broan-NuTone pourrait ne pas assurer la sécurité de l'appareil, entraîner une réduction sévère des performances ainsi qu'un risque de défaillance prématurée. Broan-NuTone recommande également de toujours vous référer à une entreprise de services compétente et reconnue par Broan-NuTone pour vos pièces de remplacement et appels de service.

N° RÉF.	N° PIÈCE	DESCRIPTION	Qté (LARGEUR DE HOTTE)			
			30 PO	39 PO	45 PO	48 PO
1	SV08543	ADAPTEUR/VOLET 8 PO ROND	1	1	1	-
2	SV08541	ADAPTEUR 10 PO ROND	-	-	-	1
3	SV08097	VENTILATEUR INTÉRIEUR	1	1	1	2
4	SV16569	ENSEMBLE DE DOUILLE ET GARNITURE DE LAMPE	2	2	2	2
5	SV03435	THERMOSTAT HEAT SENTRY ^{MC}	1	1	1	1
6	SV08338	INTERRUPTEUR D'ÉCLAIRAGE	1	1	1	1
7	SV03501	COMMANDE DE VITESSE	1	1	1	1
8	SV08578	BOUTONS ÉCLAIRAGE ET VENTILATEUR (2 BOUTONS)	1	1	1	1
9	SV08548	INTERRUPTEUR À BASCULE DU VENTILATEUR	1	1	1	1
10	SV17852	ENTRETOISE (PAIRE)	-	-	1	-
11	SV17870	GOUTTIÈRE 30 PO	1	-	-	-
	SV17871	GOUTTIÈRE 36 PO	-	1	-	-
	SV17872	GOUTTIÈRE 42 PO	-	-	1	-
	SV17873	GOUTTIÈRE 48 PO	-	-	-	1
12	SV05869	LOGO BEST	1	1	1	1
13	SV17600	FILTRE À CHICANE 8,84 PO X 9,80 PO	3	1	4	5
	SV17603	FILTRE À CHICANE 11,84 PO X 9,80 PO	0	2	0	0
14	SV08337	ATTACHE FILTRE (JEU DE 6)	1	1	1	1
15	SV07680	POIGNÉE DE FILTRE À CHICANE ET VIS	3	3	4	5
16	SV05921	AMPOULES HALOGÈNES AVEC ÉCRAN (120 V, 50 W, GU-10)	2	2	2	2
*	SV08542	VOLET VERTICAL EN LIGNE DE 10 PO ROND	-	-	-	1
*	SV08342	CONDENSATEUR 25 µf	1	1	1	1
*	SV08544	GUIDE D'INSTALLATION	1	1	1	1
*	SV08545	SAC DE PIÈCES : 2 CAPUCHONS DE CONNEXION, 1 SERRE-FILS, 4 VIS N° 8 X 3/8 PO, 9 VIS PLAQUÉES CHROME N° 8 X 1/2 PO, 10 VIS À MÉTAUX N° 8-32 X 1/4 PO	1	1	1	1

* NON ILLUSTRÉ.

best®



SERIES CP34, CP35 Y CP37

⚠ EXCLUSIVAMENTE PARA COCINAS DOMÉSTICAS ⚠

LEA ESTAS INSTRUCCIONES Y GUÁRDELAS

INSTALADOR: ENTREGUE ESTE MANUAL AL PROPIETARIO DE LA CASA.
PROPIETARIO: INFORMACIÓN SOBRE UTILIZACIÓN Y CUIDADO
EN LAS PÁGINAS 44 Y 45.

BEST; Hartford, Wisconsin www.BestRangeHoods.com 800-558-1711

Para registrar su producto en línea o para obtener más información, visitar nuestro sitio www.BestRangeHoods.com

⚠️ ADVERTENCIA

PARA REDUCIR EL RIESGO DE INCENDIO, DESCARGA ELÉCTRICA O LESIÓN CORPORAL, RESPETE LAS SIGUIENTES INDICACIONES:

1. Utilice esta unidad únicamente de la forma en que indica el fabricante. Si tiene cualquier pregunta, póngase en contacto con el fabricante en la dirección o el teléfono que aparecen en la garantía.
2. Antes de reparar o limpiar el aparato, apáguelo en el tablero de servicio y bloquee los medios de desconexión para impedir que la corriente se conecte accidentalmente. Cuando no se pueda bloquear los medios de desconexión, coloque un dispositivo de advertencia visible (como una etiqueta) en el tablero de servicio.
3. La instalación y la conexión eléctrica deben ser realizadas por personal calificado de acuerdo con todos los códigos y normas aplicables, incluso los relativos a la construcción ignífuga.
4. Para lograr una combustión adecuada y una extracción correcta de los gases a través de la salida del humo (chimenea) del equipo quemador de combustible — evitando así el contratiempo — es necesario disponer de aire suficiente. Siga las directrices del fabricante del equipo de material térmico y las normas de seguridad, como las que publica la NFPA (asociación de protección contra los incendios) y la ASHRAE (sociedad estadounidense de técnicos de calefacción, refrigeración y aire acondicionado) así como los códigos de los organismos responsables locales.
5. Al cortar o perforar la pared o el techo, procure no dañar el cableado eléctrico ni otras instalaciones de servicios públicos.
6. Los ventiladores entubados siempre deben tener salida al exterior.
7. No utilice este aparato con un dispositivo de control de velocidad con semiconductores.
8. Para reducir el riesgo de incendio, utilice sólo tuberías metálicas.
9. Este aparato debe conectarse a tierra.
10. Cuando una reglamentación local esta en vigor y conlleva exigencias de instalación y/o de certificación mas estrictas, susodichas exigencias prevalecen sobre aquellas en este documento y el instalador acepta someterse a estas exigencias a sus gastos.

PARA REDUCIR EL RIESGO DE QUE ARDA LA GRASA EN LA PARTE SUPERIOR DE LA COCINA:

- a) No deje nunca recipientes de cocina a fuego vivo sin vigilancia. Los desbordamientos producen humo y derrames grasientos que pueden inflamarse. Caliente el aceite despacio, a fuego lento o mediano.
- b) Ponga en marcha siempre la campana extractora al cocinar a temperaturas elevadas o al cocinar alimentos flameados (crepas Suzette, cerezas jubilee, res con pimienta flameada).
- c) Limpie los ventiladores con frecuencia. No deje que la grasa se acumule en el ventilador, ni en los filtros o en los conductos de evacuación.
- d) Utilice cacerolas de tamaño apropiado. Emplee siempre un recipiente adecuado para el tamaño de la placa.

⚠️ ADVERTENCIA

PARA REDUCIR EL RIESGO DE LESIONES CORPORALES EN EL CASO DE QUE ARDA LA GRASA EN LA PARTE SUPERIOR DE LA COCINA, SIGA ESTAS INDICACIONES*:

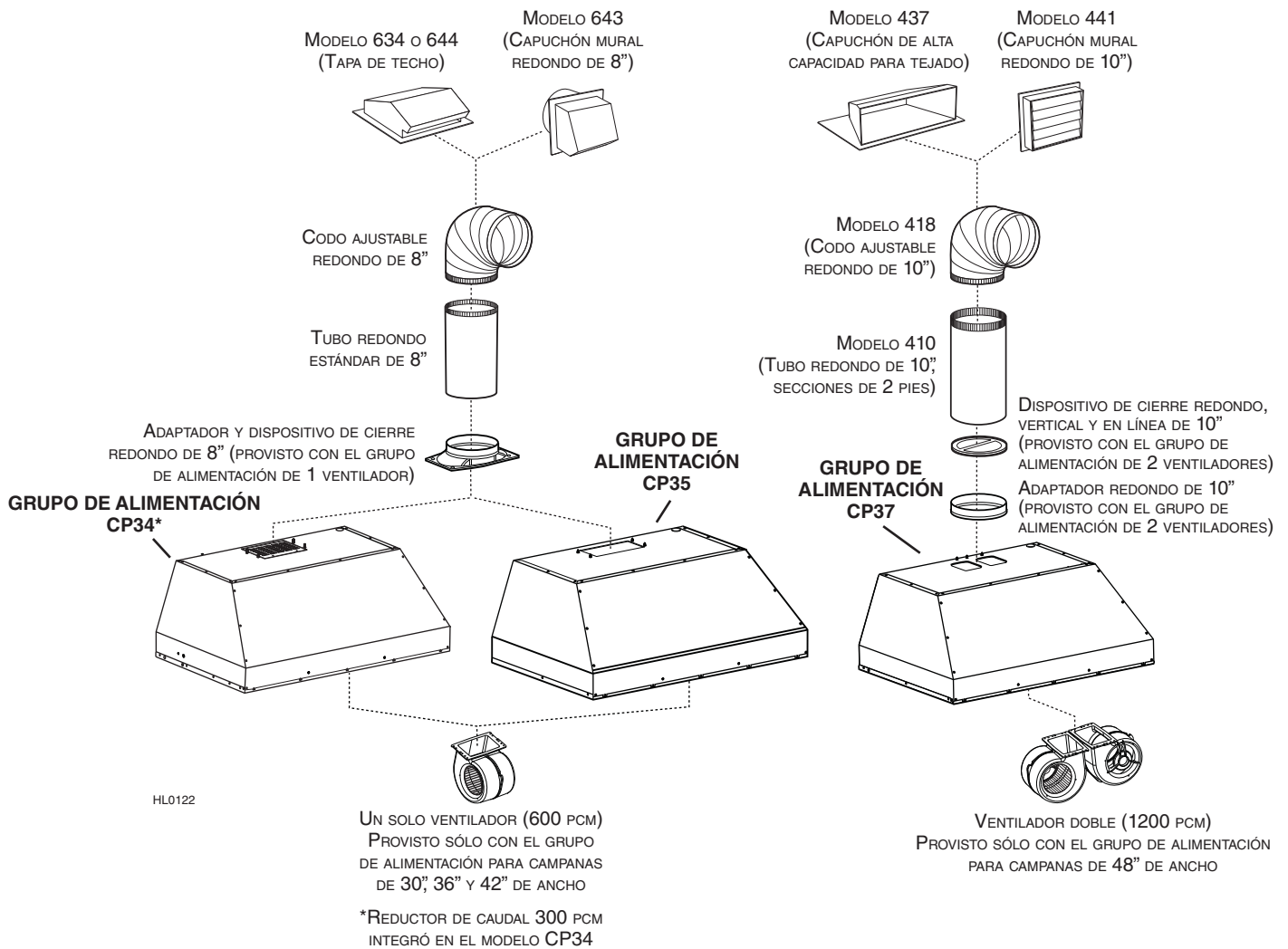
1. SOFOQUE LAS LLAMAS con una tapa ajustada, una hoja o bandeja metálica para hornear galletas, y apague luego el quemador. TENGA CUIDADO PARA EVITAR QUEMADURAS. SI LAS LLAMAS NO SE APAGAN INMEDIATAMENTE, EVACUE EL LUGAR Y LLAME A LOS BOMBEROS.
2. NO SUJETE NUNCA UNA SARTÉN EN LLAMAS ya que podría quemarse.
3. NO USE AGUA, ni trapos húmedos. Podría causar una violenta explosión de vapor.
4. Utilice un extintor SOLAMENTE si:
 - A. Tiene un extintor de tipo ABC y sabe usarlo.
 - B. El incendio es pequeño y está circunscrito a la zona donde empezó.
 - C. Ya ha llamado a los bomberos.
 - D. Puede tratar de apagar el fuego si dispone siempre de una salida detrás de usted.

* Fuente: "Kitchen Fire Safety Tips" publicado por la NFPA.

PRECAUCIÓN

1. Sólo para una utilización en el interior.
2. Sólo para ventilación general. No debe utilizarse para extraer materiales o vapores peligrosos o explosivos.
3. Para evitar daños en el cojinete del motor y que la hélice haga ruido o se desequilibre, mantenga la unidad de alimentación lejos de los vaporizadores de pirca, del polvo de la construcción, etc.
4. El motor de la campana tiene un dispositivo contra sobrecargas térmicas que apaga el motor automáticamente si éste se sobrecalienta. El motor volverá a ponerse en marcha cuando se enfríe. Si el motor sigue apagándose, haga examinar la campana.
5. Para que la campana capte bien las impurezas que se desprenden al cocinar, la distancia mínima entre el grupo de alimentación y la superficie de la cocina no debe ser inferior a 24 pulgadas ni superior a 30 pulgadas.
6. Dado el peso y el tamaño de esta unidad, se aconseja que la instalen dos personas.
7. Para reducir los riesgos de incendio y extraer el aire debidamente, el aire debe evacuarse fuera. No extraiga el aire a espacios situados entre las paredes, en el techo o en el desván, falso techo o garaje.
8. Este producto está equipado con un termostato que puede poner en marcha el ventilador automáticamente. Para reducir el riesgo de que se produzcan daños y evitar poner en marcha la alimentación accidentalmente, apague la corriente en el tablero de servicio, bloquee este tablero o ponga una etiqueta de advertencia.
9. Dada la gran capacidad extractora de esta campana, debería asegurarse de que en la casa entra suficiente aire para sustituir el aire extraído. Abra una ventana en la cocina o cerca de ella.
10. Para reducir el riesgo de incendio y de choque eléctrico, los modelos de las series CP34, CP35 y CP37 de Best deben instalarse únicamente con sus propios ventiladores incorporados. No emplee otros ventiladores.
11. Para mayor información y conocer los requisitos, lea la etiqueta con las especificaciones en el producto.

- SISTEMAS CON EL GRUPO DE ALIMENTACIÓN - CP34, CP35 Y CP37



1. PREPARACIÓN DE LA INSTALACIÓN

⚠ ADVERTENCIA

Se aconseja llevar lentes y guantes de seguridad para instalar, reparar o limpiar la campana.

NOTA: Antes de comenzar la instalación, verificar el contenido de la caja. Si alguna pieza falta o está dañada, póngase en contacto con el fabricante.

Compruebe que el conjunto para la instalación contiene los elementos siguientes:

- Grupo de alimentación
- Accesorios:
 - Placas de filtro con manijas:
 - CP34 y CP35 : 3 para los modelos de 30" y 36" de anchura, 4 para el modelo de 42" de anchura
 - CP37 : 5 para el modelo de 48" de anchura
 - 2 lámparas halógenas (MR16 con base de tipo GU10, 120 V, 50 W o PAR16 con base GU10)
 - Adaptador y dispositivo de cierre redondo de 8" (provisto con los grupos de alimentación de un ventilador)
 - Dispositivo de cierre redondo, vertical y en línea de 10" (provisto con el grupo de alimentación de dos ventiladores)
 - Adaptador redondo de 10" (provisto con el grupo de alimentación de dos ventiladores)
 - Bolsa con piezas: 1 abrazadera para hilos, 2 conectores de hilos, 4 tornillos n.º 8 x 3/8", 9 tornillos cromados n.º 8 x 1/2", 10 tornillos n.º 8-32 x 1/4".
De ser necesario, deseche los tornillos sobrantes.

Piezas vendidas aparte:

Tubos, codos, capuchones murales y para el techo. Consulte en la página 35 la lista completa de opciones de ventilación y los números de modelo.

NOTA: Proteja la encimera y la parte superior de la cocina durante la instalación.

2. INSTALACIÓN DE LOS TUBOS Y DE LAS CONEXIONES ELÉCTRICAS

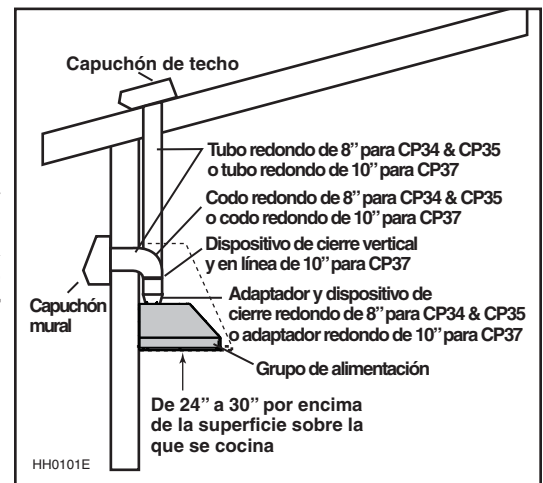
Planifique el lugar y la forma en que instalará los tubos. Para la conexión de los tubos es preferible acceder por la parte superior de la campana.

Instale tubos, codos y capuchones murales y del techo de dimensiones adecuadas, según el tipo de ventilador que vaya a utilizar. Si instala el grupo de alimentación CP34 o CP35, utilice un tubo redondo de 8" y si instala el grupo de alimentación CP37, emplee un tubo redondo de 10". Para precintar las juntas utilice cinta adhesiva metálica de 2" para tubos.

La distancia mínima entre la campana y la superficie sobre la que se cocina no debe ser inferior a 24 pulgadas. Se aconseja una distancia máxima de 30 pulgadas con respecto a la superficie sobre la que se cocina para captar mejor las impurezas que se desprenden al cocinar.

Las distancias de más de 30 pulgadas quedan a discreción del instalador y de los usuarios.

Lleve el cable de alimentación eléctrica de 3 hilos hasta el lugar de la instalación. El cable debe llegar al menos 4 pies por debajo de la base de la campana a medida.



INSTALACIÓN HABITUAL DE LOS TUBOS, MODELOS CP34 Y CP35 (UN SOLO VENTILADOR) O CP37 (DOBLE VENTILADOR)

3. PREPARACIÓN DE LA CAMPANA A MEDIDA

⚠ ADVERTENCIA

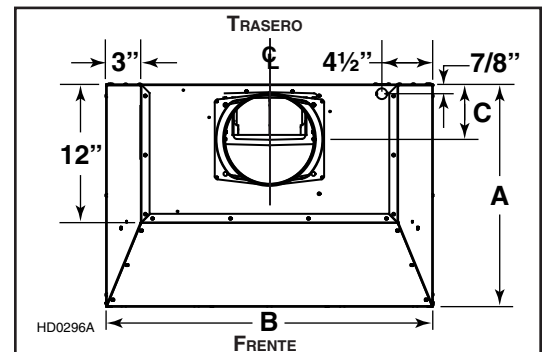
Siga siempre todos los códigos y normas de construcción aplicables al construir una campana a medida.

Debe prepararse la campana a medida de manera que acepte el tamaño y la forma del grupo de alimentación CP34, CP35 o CP37.

Véase la ilustración adjunta para mayor información.

MODELO DE GRUPO DE ALIMENTACIÓN	ANCHO	PESO TOTAL	DIMENSIONES DEL GRUPO DE ALIMENTACIÓN		
			A*	B*	C
CP34 y CP35	30"	33 LB	19 ⁵ / ₁₆ "	28 ⁷ / ₁₆ "	4 ⁷ / ₈ "
	36"	37,2 LB	19 ⁵ / ₁₆ "	34 ⁷ / ₁₆ "	4 ⁷ / ₈ "
	42"	41,6 LB	19 ⁵ / ₁₆ "	40 ⁷ / ₁₆ "	4 ⁷ / ₈ "
CP37	48"	56,5 LB	22 ⁹ / ₁₆ "	46 ⁷ / ₁₆ "	5 ⁷ / ₈ "

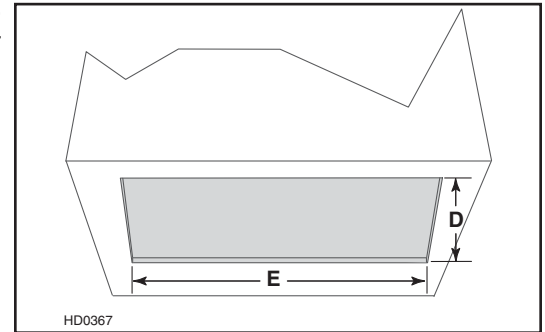
*Las dimensiones A y B comprenden las cabezas de los remaches.



3. PREPARACIÓN DE LA CAMPANA A MEDIDA (CONTINUACIÓN)

Para minimizar el espacio alrededor del grupo de alimentación, tomar las medidas de la anchura y de la profundidad del grupo de alimentación y añadir 1/16" para obtener las medidas **D** y **E**. Cortar el orificio en el fondo del armario según las dimensiones indicadas. Véase la ilustración y la tabla adjunta para mayor información.

MODELO DE GRUPO DE ALIMENTACIÓN	ANCHO	DIMENSIONES DEL ORIFICIO	
		D	E
CP34 y CP35	30"	19 ³ / ₈ "	28 ¹ / ₂ "
	36"	19 ³ / ₈ "	34 ¹ / ₂ "
	42"	19 ³ / ₈ "	40 ¹ / ₂ "
CP37	48"	22 ⁵ / ₈ "	46 ¹ / ₂ "



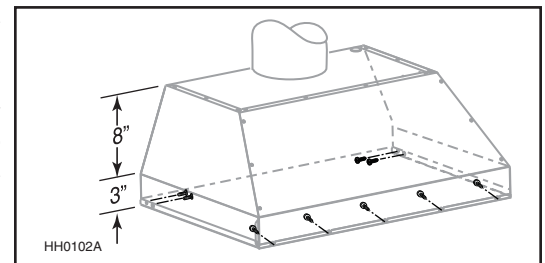
4. MONTAJE DEL ARMAZÓN INTERNO DE LA CAMPANA A MEDIDA

⚠ ADVERTENCIA

El armazón ha de estar sujeto de manera segura a los montantes de la pared u otra estructura de madera detrás del panel mural. Compruebe que esta estructura puede soportar el peso de la campana y el del grupo de alimentación CP34, CP35 o CP37. De lo contrario podrían producirse heridas corporales o daños en la encimera o en la superficie de la cocina.

El grupo de alimentación CP34, CP35 o CP37 está sujeto a la estructura interna de la campana con los tornillos que vienen en la bolsa de piezas.

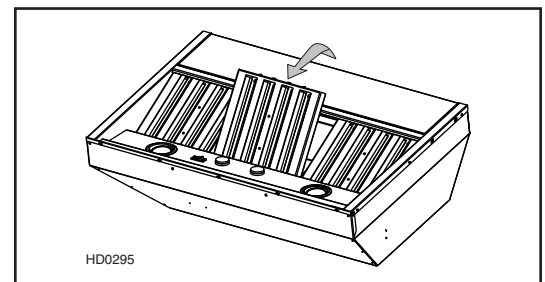
Dado que los agujeros de montaje de los grupos de alimentación CP34, CP35 y CP37 están en la parte delantera y en los lados, cerca de la parte trasera (véase la ilustración al lado), prevea una estructura de madera delante y en los lados para apoyar.



5. DESMONTAJE DE LOS FILTROS

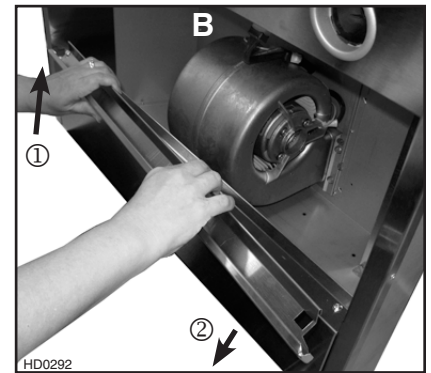
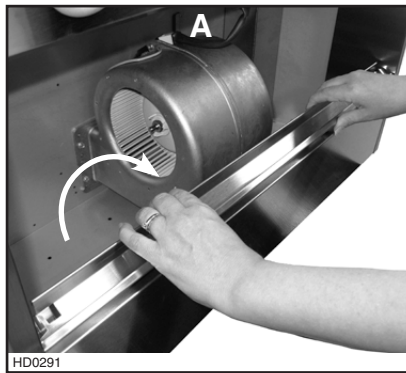
Retire la cinta de los filtros. Saque los filtros del grupo de alimentación y póngalos aparte.

NOTA: Se aconseja empezar por el filtro o filtros centrales.



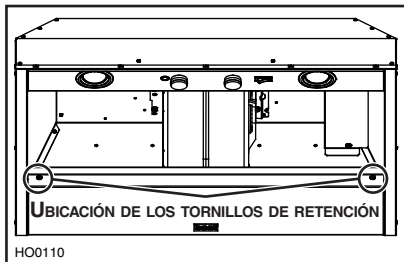
6. DESMONTAJE DEL RIEL DE VERTIDO DE LA GRASA

- A.** Levante el riel para desprenderlo del tablero inferior.
- B.** Deslice el riel completamente a la izquierda o a la derecha (①) y levante el extremo contrario para desprenderlo del tablero inferior (②). Sáquelo del grupo de alimentación y póngalo a un lado. Se utilizará después.

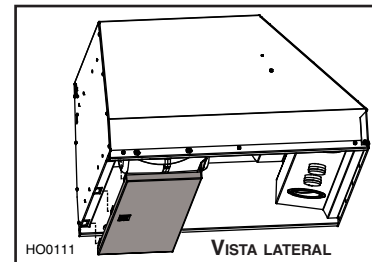


7. DESMONTAJE DEL TABLERO INFERIOR

Utilice un destornillador Phillips para quitar los tornillos que sujetan el tablero inferior y consérvelos.

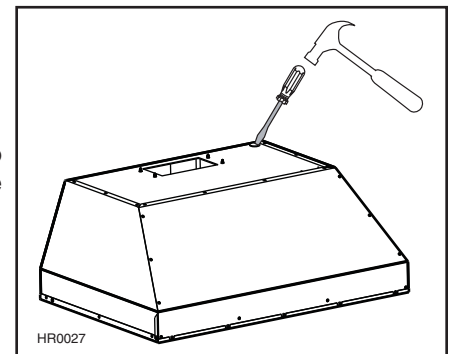


Desmonte el tablero inferior del grupo de alimentación y consérvelo.



8. DESMONTAJE DE LA ABERTURA DESMONTABLE

Desde la parte interior del grupo de alimentación, quite la tapa de las conexiones retirando ambos tornillos de retención (guárdelos). Perfore el orificio desmontable en la parte superior de la campana. Instale la abrazadera para hilos, que viene en la bolsa de piezas.



9. INSTALACIÓN DEL ADAPTADOR O DISPOSITIVO DE CIERRE (MODELOS CP34 Y CP35)

Utilice 4 tornillos n.º 8 x 3/8" de la bolsa de piezas para instalar el adaptador o dispositivo de cierre en la parte superior del grupo de alimentación. Quite la cinta adhesiva (de haberla) que se utiliza para el transporte. Precinte todas las juntas con cinta adhesiva metálica para tubos para que no se escape el aire.

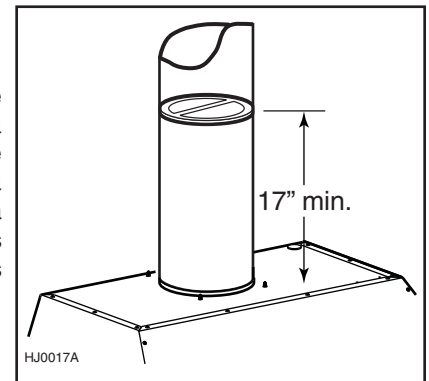


10. INSTALACIÓN DEL ADAPTADOR Y DISPOSITIVO DE CIERRE (MODELO CP37 EXCLUSIVAMENTE)

Utilice 2 tornillos n.º 8 x 3/8" de la bolsa de piezas para instalar el adaptador en la parte superior del grupo de alimentación. Precinte todas las juntas con cinta adhesiva metálica para tubos para que no se escape el aire.



Instale el dispositivo de cierre de 10" dentro del tubo VERTICAL que irá unido al grupo de alimentación. No lo instale en el tubo horizontal (no abrirá ni cerrará debidamente). Quite la cinta adhesiva (de haberla) que se utiliza para el transporte. Para optimizar la corriente de aire y lograr un funcionamiento sin ruidos, coloque el dispositivo de cierre al menos 17" por encima de la parte superior del grupo de alimentación CP37, o tan lejos como permita el tubo (véase la figura de al lado). Sujete el dispositivo de cierre al tubo con 3 tornillos n.º 8 para hojas metálicas (no provistos). Verifique que el dispositivo de cierre abre y cierra sin dificultad. Precinte todas las juntas con cinta adhesiva metálica para tubos para que no se escape el aire.



11. CONEXIÓN DEL CABLEADO

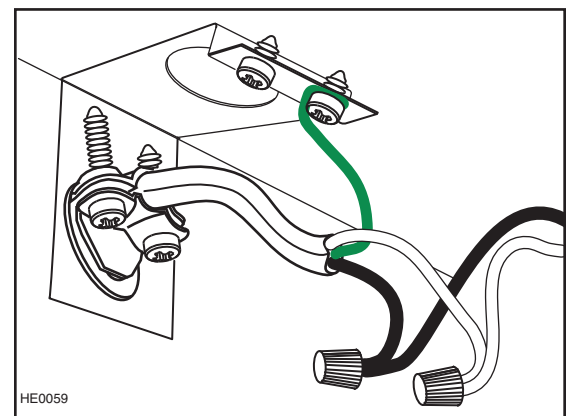
⚠ ADVERTENCIA

Riesgo de choque eléctrico. La conexión eléctrica debe hacerla personal competente con arreglo a los códigos y normas en vigor. Antes de conectar los hilos, corte la alimentación en el tablero de servicio y bloquee los medios de desconexión para impedir que la corriente se conecte accidentalmente.

Ponga el grupo de alimentación debajo de la campana instalada. Introduzca el cable de conexión doméstico a través de la abrazadera para hilos instalada en la etapa 8. Apriete la abrazadera para sujetar el cable.

Con los conectores, conecte el cable de la campana para el cable de conexión doméstico, en la caja de conexiones.

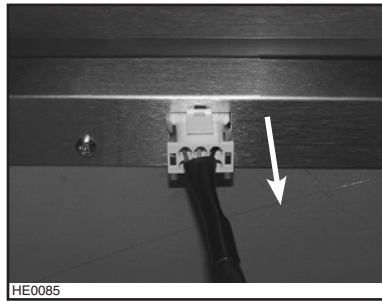
Conecte los hilos de la siguiente manera: el NEGRO con el NEGRO, el BLANCO con el BLANCO y el VERDE o desnudo en el tornillo de tierra. **NO OLVIDE CONECTAR LA TIERRA.** Vuelva a instalar la tapa de conexiones.



12. DESMONTAJE DE LOS VENTILADORES

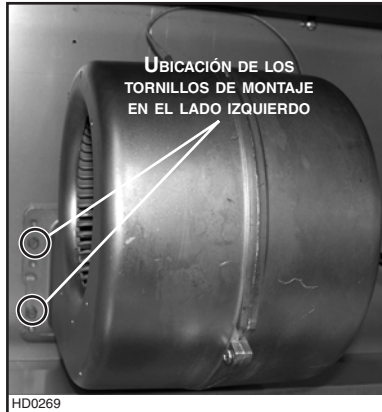
Para facilitar la alineación del grupo de alimentación con los tubos, desenchufe y desmonte los ventiladores del grupo de alimentación antes de instalar la campana.

Desenchufe los ventiladores.

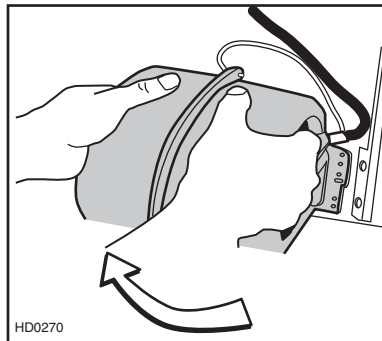


MODELOS CP34 Y CP35

Utilice una llave de tubo de 5/16" para quitar todos los tornillos de montaje de los ventiladores desde la parte superior interior del grupo de alimentación. Conserve los tornillos.



Deslice el ventilador para desprender su reborde del soporte de sujeción. Ponga el ventilador a un lado.

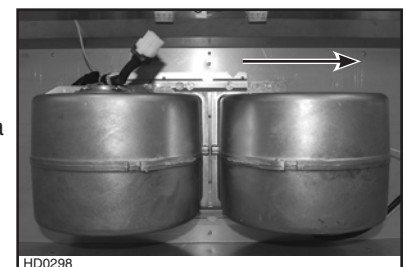


MODELO CP37

En cada ventilador utilice una llave de tubo de 5/16" para quitar todos los tornillos de montaje de los ventiladores desde la parte superior interior del grupo de alimentación. Conserve los tornillos.



Deslice cada ventilador para desprender su reborde del soporte de sujeción. Ponga el ventilador a un lado.

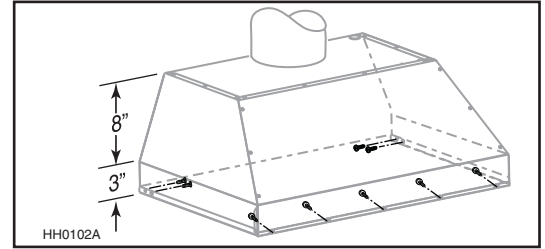


13. INSTALACIÓN DEL GRUPO DE ALIMENTACIÓN

PRECAUCIÓN

Procure no doblar los tubos al instalar el grupo de alimentación.

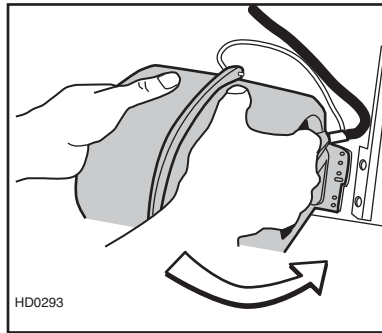
Utilice los tornillos cromados n.º 8 x 1/2" provistos para instalar el grupo de alimentación en la campana. Empiece por 2 tornillos en las esquinas delanteras; a continuación, utilice 4 tornillos para los lados y emplee el último para sujetar el grupo de alimentación por delante (véase la figura de al lado para la ubicación exacta de los tornillos). Compruebe que el adaptador o dispositivo de cierre (o el adaptador) se introduce en el tubo. Cuando hay acceso a la parte superior del grupo de alimentación, precinte las conexiones con cinta adhesiva metálica para tubos.



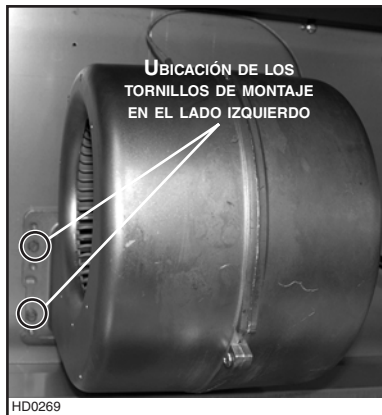
14. REINSTALACIÓN DE LOS VENTILADORES

MODELOS CP34 Y CP35

Deslice el ventilador para acoplar su reborde al soporte de sujeción.



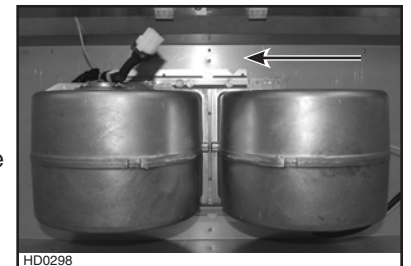
Utilice una llave de tubo de 5/16" para sujetar el ventilador a la parte superior interna del grupo de alimentación, por medio del soporte delantero y trasero, con todos los tornillos de montaje (los tornillos que se quitaron en la etapa 12). Conserve los tornillos.



MODELO CP37

Deslice cada ventilador para acoplar su reborde al soporte de sujeción.

NOTA: Ambos ventiladores son idénticos y pueden instalarse en cualquier lado del grupo de alimentación.



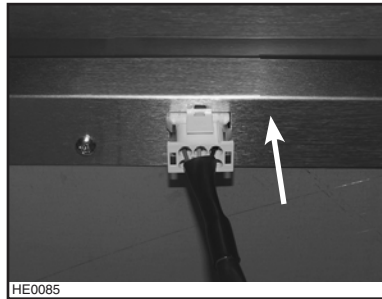
Utilice una llave de tubo de 5/16" para sujetar el ventilador a la parte superior interna del grupo de alimentación, por medio del soporte delantero y trasero, con todos los tornillos de montaje (los tornillos que se quitaron en la etapa 12).



14. REINSTALACIÓN DE LOS VENTILADORES (CONTINUACIÓN)

TODOS LOS MODELOS

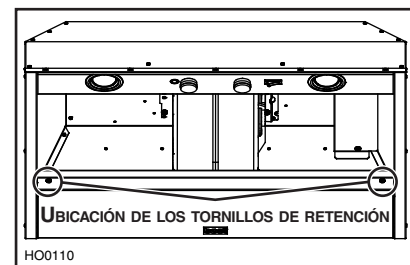
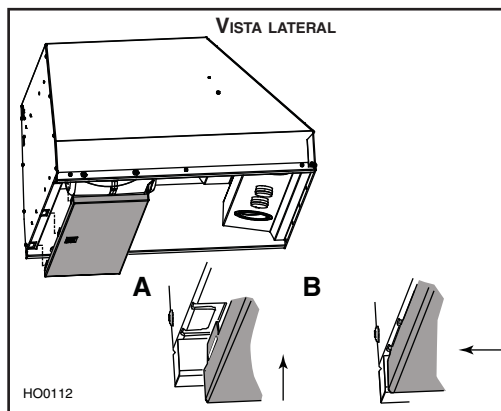
Enchufe los ventiladores.



15. REINSTALACIÓN DEL TABLERO INFERIOR

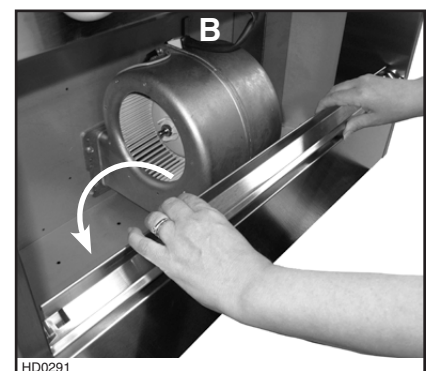
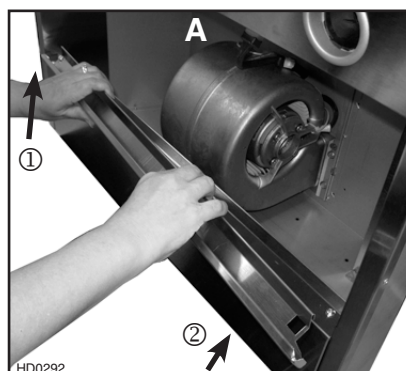
Levante el tablero inferior y encaje las aletas metálicas del grupo de alimentación en las ranuras del tablero inferior, como se ve en los detalles **A** y **B** de abajo.

Sujete el tablero inferior al grupo de alimentación con los tornillos que quitó en la etapa 7.



16. REINSTALACIÓN DEL RIEL DE VERTIDO DE LA GRASA

- A.** Introduzca un extremo del riel en el lado (①) del grupo de alimentación levantando el otro extremo por encima del borde del tablero inferior (②).
- B.** Centre el riel con respecto al borde del tablero inferior y encájelo.



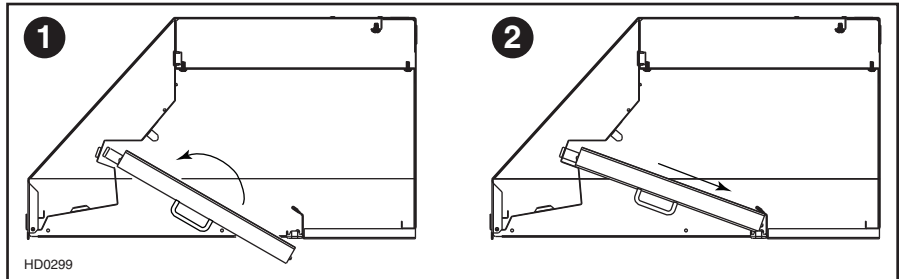
17. REINSTALACIÓN DE LOS FILTROS

PRECAUCIÓN

Retire la película protectora de plástico que cubre los filtros antes de instalarlos.

Se aconseja instalar primero los filtros laterales y terminar por el o los centrales.

1. Introduzca un extremo del filtro en el canal superior del grupo de alimentación.
2. Levante el otro extremo hacia el interior del grupo de alimentación e introdúzcalo en el riel de vertido de la grasa del grupo de alimentación.



18. BOMBILLAS

Este grupo de alimentación debe utilizar bombillas halógenas protegidas de tipo MR16, de 120 V y 50 W con base GU10 o PAR16 con base GU10 (incluidas).

NOTA: Antes de utilizar las lámparas, quite la cinta adhesiva que pueda haber sobre ellas.

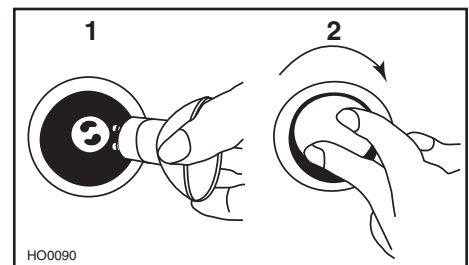
⚠ ADVERTENCIA

No tocar las bombillas durante o justo después de la utilización. Pueden causar quemaduras. Para prevenir el riesgo de lesiones corporales, instale solamente bombillas halógenas protegidas. Nunca instalar una bombilla dicróica o no concebida para luminarias empotradas o bombillas identificadas sólo para uso en dispositivos encerrados.

1. Instale las bombillas colocando los casquillos de las bombillas en sus ranuras, en los portalámparas.
2. Empuje suavemente hacia arriba y gire al mismo tiempo en el sentido horario hasta que queden bien afianzadas.

Para quitar las bombillas, empuje suavemente hacia arriba y gire en sentido antihorario para liberar el casquillo de sus ranuras.

NOTA: Para facilitar la extracción de los bombillos utilice un guante de caucho o una ventosa disponible en Best. Comuníquese con Servicio al cliente de Best en el teléfono 1-800-558-1711 para pedir esta herramienta (n.º de pieza: 99526707).



19. USO Y CUIDADO

Placas de los filtros

Los filtros deben limpiarse con frecuencia. Utilice una disolución de detergente con agua templada. Lávelos con mayor frecuencia si su tipo de cocina genera más grasa (alimentos fritos o cocina con wok).

Retire las placas de los filtros empujándolas hacia la parte trasera de la campana y girándolas hacia abajo. Las placas de los filtros pueden lavarse en el lavavajillas. Deje que los filtros sequen completamente antes de volver a instalarlos en el grupo de alimentación.

Limpie los filtros totalmente metálicos en el lavavajillas con un detergente sin fosfato. El filtro podría descolorarse si se utiliza un detergente con fosfato o debido al tipo de agua, pero esto no afecta su funcionamiento. Este descoloramiento no está cubierto por la garantía.

Botones giratorios de control

Se pueden quitar para limpiarse pero, antes de hacerlo, afloje el tornillo de presión con una llave hexagonal de 1/16" (puede adquirirla en una ferretería).

Riel de vertido de la grasa

El riel debe limpiarse con frecuencia. Sáquelo del grupo de alimentación (véase la etapa 7 en la página 5) y límpielo con una disolución de detergente con agua templada. Lávelo con mayor frecuencia si su tipo de cocina genera más grasa (alimentos fritos o cocina con wok). Deje que el riel seque completamente antes de volver a instalarlo en el grupo de alimentación.

Limpieza del ventilador

Retire los filtros para tener acceso al ventilador. Limpie el ventilador con un aspirador. No lo sumerja en agua.

Limpieza de la campana

Limpieza del acero inoxidable:

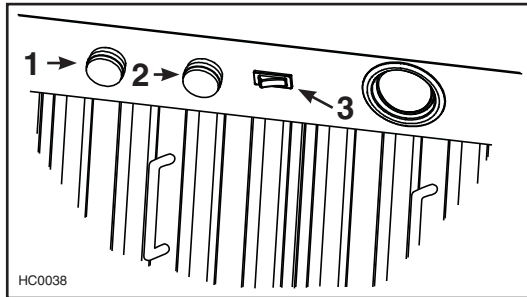
Debe hacerse:	No debe hacerse:
<ul style="list-style-type: none">• Limpiar regularmente las superficies con un trapo limpio humedecido con una mezcla de agua templada y jabón suave o detergente para la vajilla.• Limpiar siempre en la dirección de las líneas originales de pulido del acero.• Enjuagar siempre con agua limpia (2 o 3 veces) después de limpiar. Seque completamente.• También puede utilizar un limpiador doméstico especial para acero inoxidable.	<ul style="list-style-type: none">• Utilizar un estropajo de acero o acero inoxidable u otro tipo de rasquetas para quitar la suciedad resistente.• Utilizar limpiadores fuertes o abrasivos.• Dejar que la suciedad se acumule.• Dejar que el polvo del yeso u otros residuos de la construcción manchen la campana. Si efectúa obras de construcción o renovación, cubra la campana para que no se manche la superficie de acero inoxidable.

Al escoger un detergente, evite:

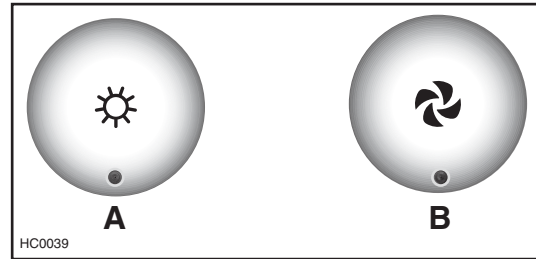
- Los limpiadores que contienen **blanqueador** (lejía), ya que dañarán el acero inoxidable.
- Los productos que contengan **cloruro, fluoruro, yoduro y bromuro**, ya que deterioran las superficies rápidamente.
- Los productos combustibles que se emplean para la limpieza, como **acetona, alcohol, éter, bencol**, etc., ya que son altamente explosivos y nunca deberían estar cerca de una cocina.

20. FUNCIONAMIENTO

Ponga en marcha siempre la campana antes de empezar a cocinar para generar una corriente de aire en la cocina. Deje en marcha el ventilador durante unos minutos para renovar el aire una vez que haya apagado la cocina. Esto ayudará a que toda la cocina esté más limpia y despejada.



- 1) BOTÓN DE LAS LUCES HALÓGENAS
- 2) BOTÓN DE CONTROL DE LA VELOCIDAD DEL VENTILADOR
- 3) INTERRUPTOR DE ENCENDIDO Y APAGADO DEL VENTILADOR



- A) BOTÓN DE LAS LUCES HALÓGENAS
- B) BOTÓN DE CONTROL DE LA VELOCIDAD DEL VENTILADOR

ILUMINACIÓN DE LA SUPERFICIE SOBRE LA QUE SE COCINA (LUCES HALÓGENAS)

Un botón giratorio con 3 posiciones (1) permite controlar las luces halógenas (Apagado, baja intensidad, alta intensidad).

VENTILADOR

El ventilador funciona con dos mandos.

Utilice el interruptor oscilante (3) para encender y apagar el ventilador. Cuando está encendido, el ventilador funciona a la velocidad que se haya establecido antes con el mando de velocidad (2).

Gire el botón de control de la velocidad en sentido antihorario para aumentar la velocidad del ventilador y en sentido horario para disminuirla.

HEAT SENTRY™

La campana viene equipada con un termostato HEAT SENTRY™. Se trata de un dispositivo que enciende o acelera el ventilador cuando detecta un calor excesivo sobre la superficie sobre la que se cocina.

- 1) Si el ventilador está APAGADO, se pondrá en marcha en la velocidad ALTA.
- 2) Si el ventilador está ENCENDIDO en una velocidad baja, el termostato lo pondrá en la velocidad ALTA.

⚠ ADVERTENCIA

En el caso de fuego de cocción o durante un calor excesivo, el Heat Sentry puede poner en marcha el ventilador, incluso si este está apagado. Si este es el caso, es imposible parar el ventilador con su interruptor. Si usted para la campana, hágalo a partir del panel eléctrico principal.

Cuando la temperatura baja al nivel normal, el ventilador vuelve a su configuración original.

21. GARANTÍA

GARANTÍA LIMITADA DE UN AÑO

Broan-NuTone LLC ("Broan-NuTone") garantiza al comprador original de sus productos que éstos carecen de defectos en los materiales o de mano de obra por un período de un año a partir de la fecha de compra original. NO EXISTEN OTRAS GARANTÍAS, EXPRESAS O IMPLÍCITAS, INCLUYENDO, ENTRE OTRAS, LAS GARANTÍAS IMPLÍCITAS, DE COMERCIABILIDAD O IDONEIDAD PARA UN PROPÓSITO PARTICULAR.

Durante el período de un año, y a su propio criterio, Broan-NuTone reparará o reemplazará sin costo todo producto o pieza que se considere defectuoso en condiciones normales de servicio y uso.

ESTA GARANTÍA NO SE APLICA A LOS CEBADORES, TUBOS Y BOMBILLAS DE LAS LÁMPARAS FLUORESCENTES, A LOS FUSIBLES, FILTROS, TUBOS, CAPUCHONES PARA TEJADOS, CAPUCHONES MURALES Y OTROS ACCESORIOS DE CANALIZACIÓN. Esta garantía no cubre: a) el mantenimiento y servicios normales ni b) ningún producto o pieza mal utilizados o que hayan sido objeto de negligencia, accidente, mantenimiento o reparación inadecuados (por compañías distintas a Broan-NuTone), instalación defectuosa, o instalación no conforme a las instrucciones de instalación recomendadas.

La duración de cualquier garantía implícita se limita a un período de un año, como se indica en la garantía expresa. Algunos estados o provincias no permiten limitaciones en cuanto al tiempo de expiración de una garantía implícita, por lo que la limitación antes mencionada puede que no se aplique en su caso.

LA OBLIGACIÓN DE BROAN-NUTONE DE REPARAR O REEMPLAZAR, CON ARREGLO A SU PROPIO CRITERIO, SERÁ EL ÚNICO RECURSO LEGAL DEL COMPRADOR CONFORME A ESTA GARANTÍA. BROAN-NUTONE NO SE HACE RESPONSABLE DE LOS DAÑOS ADICIONALES, CONSECUENTES O ESPECIALES QUE SURJAN O ESTÉN RELACIONADOS CON EL USO O EL RENDIMIENTO DEL PRODUCTO. Algunos estados o provincias no permiten la exclusión o limitación de daños adicionales o consecuentes, por lo que la limitación o exclusión antes mencionada puede que no se aplique en su caso.

Esta garantía le proporciona derechos legales específicos, aunque usted también puede tener otros derechos, que varían de un estado a otro, o de una provincia a otra. Cualquier modificación hecha en este producto sin la autorización de Broan-NuTone anulará esta garantía. Esta garantía reemplaza todas las garantías anteriores.

Para tener derecho al servicio de garantía, debe usted: a) Informar a Broan-NuTone, en una de las direcciones o teléfonos que aparecen abajo; b) Dar el número de modelo y el número de identificación de la pieza y c) Describir el tipo de defecto en el producto o pieza. En el momento de solicitar un servicio cubierto por la garantía, deberá presentar una prueba de la fecha de compra original.

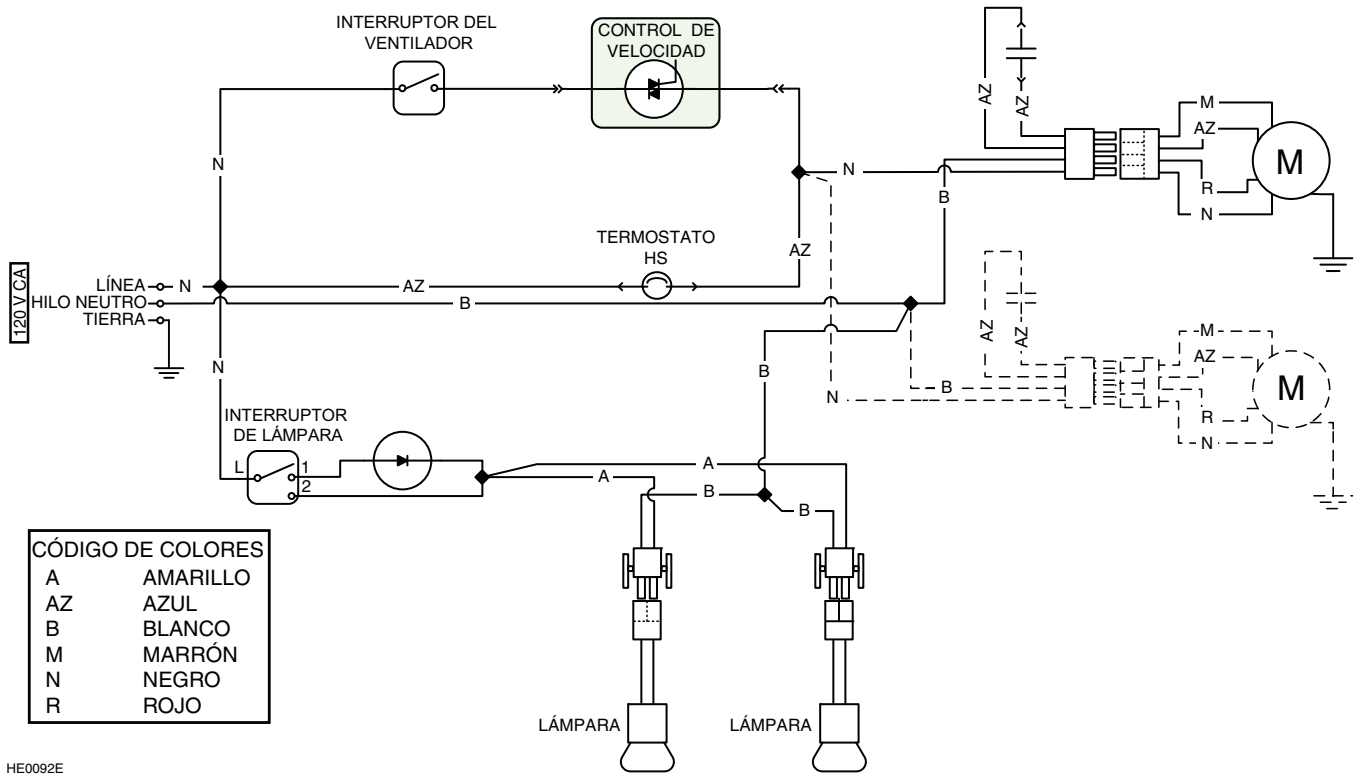
Best®, 926 W. State Street, Hartford, WI 53027 (1-800-558-1711)

www.bestrangehoods.com

22. DIAGRAMA ELÉCTRICO

⚠ ADVERTENCIA

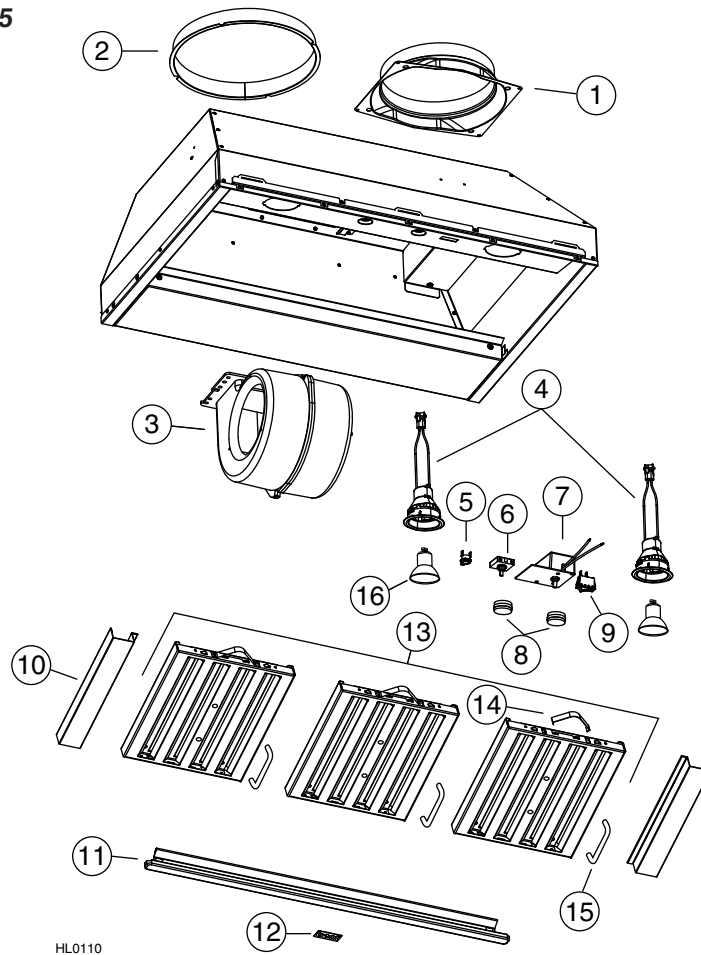
Riesgo de choque eléctrico. La conexión eléctrica debe hacerla personal competente con arreglo a los códigos y normas en vigor. Antes de conectar los hilos, corte la alimentación en el tablero de servicio y bloquee los medios de desconexión para impedir que la corriente se conecte accidentalmente.



HE0092E

23. PIEZAS

Series CP34, CP35
y CP37 de Best



HL0110

SUSTITUCIÓN DE PIEZAS Y REPARACIÓN

Para que la unidad se conserve en buen estado, debe usar repuestos genuinos de Broan-NuTone únicamente. Estas piezas se han diseñado especialmente para cada unidad y se han fabricado conforme a las normas de certificación aplicables y un elevado nivel de seguridad. El uso de repuestos de otros fabricantes podría causar daños graves y reducir radicalmente el desempeño de la unidad, causando así fallas prematuras. Broan-NuTone también aconseja ponerse en contacto con un taller de reparación homologado por Broan-NuTone para todos los repuestos y reparaciones.

N.º	N.º DE PIEZA	DESCRIPCIÓN	CANTIDAD (ANCHURA DEL GRUPO DE ALIMENTACIÓN)			
			30"	39"	45"	48"
1	SV08543	ADAPTADOR O DISPOSITIVO DE CIERRE REDONDO 8"	1	1	1	-
2	SV08541	ADAPTADOR REDONDO DE 10"	-	-	-	1
3	SV08097	VENTILADOR INTERNO	1	1	1	2
4	SV16569	CONJUNTO DE LA LÁMPARA	2	2	2	2
5	SV03435	TERMOSTATO HEAT SENTRY™	1	1	1	1
6	SV08338	INTERRUPTOR DE LA LUZ	1	1	1	1
7	SV03501	CONTROL DE LA VELOCIDAD	1	1	1	1
8	SV08578	BOTONES DEL VENTILADOR Y DE LAS LUCES (2)	1	1	1	1
9	SV08548	INTERRUPTOR OSCILANTE DEL VENTILADOR	1	1	1	1
10	SV17852	RELLENO DE FILTROS (PAR)	-	-	1	-
11	SV17870	RIEL DE VERTIDO DE LA GRASA, 30"	1	-	-	-
	SV17871	RIEL DE VERTIDO DE LA GRASA, 36"	-	1	-	-
	SV17872	RIEL DE VERTIDO DE LA GRASA, 42"	-	-	1	-
	SV17873	RIEL DE VERTIDO DE LA GRASA, 48"	-	-	-	1
12	SV05869	LOGO DE BEST	1	1	1	1
13	SV17600	FILTROS 8.84" x 9.80"	3	1	4	5
	SV17603	FILTROS 11.84" x 9.80"	0	2	0	0
14	SV08337	RESORTES DE LOS FILTROS (JUEGO DE 6)	1	1	1	1
15	SV07680	MANIJA DE FILTRO Y TORNILLOS	3	3	4	5
16	SV05921	2 LÁMPARAS HALÓGENAS (120 V, 50 W, GU-10)	2	2	2	2
*	SV08542	DISP. DE CIERRE VERT., REDONDO, EN LÍNEA DE 10"	-	-	-	1
*	SV08342	CONDENSADOR 25 µF	1	1	1	1
*	SV08544	GUÍA DE INSTALACIÓN	1	1	1	1
*	SV08545	BOLSA DE PIEZAS: 2 CONECTADORES DE HILOS, 1 ABRAZADERA DE HILOS, 4 TORNILLOS N.º 8 x 3/8", 9 TORNILLOS CROMADOS N.º 8 x 1/2", 10 TORNILLOS MECÁNICOS N.º 8-32 x 1/4"	1	1	1	1

* NO SE MUESTRA.

