

Forged Globe Valves

Class 800 (PN 130) Conventional Port

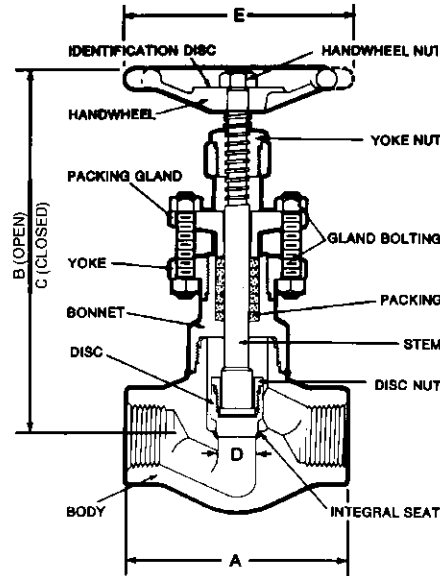
1975 PSI @ 100°F (136.2 BAR @ 38°C)

For other ratings see pgs. 112-115

A105 Body/Bonnet

SERIES NUMBER

| | |
|----------------|--|
| Threaded | Socket Weld |
| 2821 | SW2821 Trim: 13% Cr. Seat: HF |
| 2821FHF | SW2821FHF Trim: 13% Cr. Disc/Seat: HF |
| 2821F8M | SW2821F8M Trim: 316 Seat: HF |



- Welded Bonnet
- Outside Screw & Yoke
- Bolted Gland
- Loose Disc
- Integral Hard Faced Seat
- ASME B16.34

Dimensions

Bold face numerals are in inches and pounds.
Blue numerals are in millimeters and kilograms.

| Size | NPS DN | 1/4 8 | 3/8 10 | 1/2 15 | 3/4 20 | 1 25 | 1-1/4 32 | 1-1/2 40 | 2 50 |
|----------------------|-----------|-------------|-------------|-------------|-------------|-------------|--------------|--------------|--------------|
| A-End-to-End | | 3.25 83 | 3.25 83 | 3.25 83 | 3.50 89 | 4.62 117 | 6.25 159 | 6.25 159 | 7.75 197 |
| B-Open | | 6.62 168 | 6.62 168 | 6.62 168 | 6.62 168 | 8.44 214 | 10.38 264 | 10.38 264 | 10.88 276 |
| C-Closed | | 6.19 157 | 6.19 157 | 6.19 157 | 6.19 157 | 7.81 198 | 9.53 242 | 9.53 242 | 9.81 249 |
| D-Seat Diameter | | .50 12.7 | .50 12.7 | .50 12.7 | .50 12.7 | .75 19.1 | 1.28 32.5 | 1.28 32.5 | 1.53 38.9 |
| E-Handwheel Diameter | | 4.00 102 | 4.00 102 | 4.00 102 | 4.00 102 | 4.75 121 | 5.75 146 | 5.75 146 | 7.00 178 |
| Weight | | 3.6 1.6 | 3.6 1.6 | 3.6 1.6 | 4.0 1.8 | 7.6 3.4 | 15.3 6.9 | 15.1 6.9 | 23.8 10.8 |

Refer to pages 116-120 for full materials description.

For Cv factors see Page 123, Valve Matrix J.

GLOBE CLASS 800 (PN 130) 2821