



Vent-A-Hood[®]

CANADIAN MSRP PRICE BOOK

January, 2016



395 Dobbie Drive
Cambridge, Ontario N1T 1S8

TELEPHONE: 519.624.5710

TOLL-FREE: 888.340.4949

FAX: 519.624.5722

Vent-A-Hood®

TERMS AND CONDITIONS OF SALE

1. Terms:
 - a. Minimum order of \$15.00 net.
 - b. Net 30 days with approved credit.
2. Prices:
 - a. All prices are subject to change at any time without notice.
 - b. All prices are F.O.B. Vent-A-Hood® Company, Richardson, Texas.
3. Cancellation:
 - a. Hoods which are fabricated to purchase orders are non-cancelable upon acceptance by the factory.
 - b. Any change orders must be confirmed in writing to Vent-A-Hood® at the address below and are subject to our ability to conform.

Vent-A-Hood Company
P.O. Box 830426
Richardson, TX 75083-0426
4. Returns:
 - a. No merchandise may be returned without written consent and shipping instructions.
 - b. Authorized returns are subject to a 25% restocking charge and freight charges.
 - c. Special order items are not subject to return or cancellation.
5. Quick Ship:
 - a. Shaded boxed prices in this document indicate quick ship products. Quick ship products are typically stocked or manufactured within two weeks. Quick ship painted product finishes include black, gunsmoke, and white.
6. Vent-A-Hood® Warranty
 - a. Vent-A-Hood® merchandise is manufactured in accordance with Vent-A-Hood®'s high standards and carries a limited warranty.
 - b. Vent-A-Hood® Magic Lung® Warranty:

Vent-A-Hood® warrants to the original consumer-purchaser its products to be free of defects in material and workmanship for a period of five years from the date of purchase with the following limitations:

 - A. Light bulbs
 - B. Freight damage
 - C. Damage caused by faulty installation
 - D. Incidental or consequential damage
 - E. Commercial application
 - F. Misapplication or modification of or to any part of the Vent-A-Hood® product
 - c. Vent-A-Hood® K Series, M Series, and Remote Blower Warranty:

Vent-A-Hood warrants to the original consumer-purchaser its products to be free of defects in material and workmanship for a period of one year from the date of purchase with the following limitations:

 - A. Light bulbs
 - B. Freight damage
 - C. Damage caused by faulty installation
 - D. Incidental or consequential damage
 - E. Commercial application
 - F. Misapplication or modification of or to any part of the Vent-A-Hood® product
 - d. To make a warranty claim, contact the dealer where the hood was purchased. The dealer will contact the appropriate service agents. It is not necessary to register the product directly with Vent-A-Hood®.

Join Us!



Follow Us!



PICTURE INDEX - TABLE OF CONTENTS



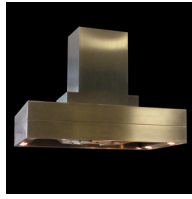
AH12
PG 42



BHPSLB/BHPSLD
PG 81



BHSLD
PG 80



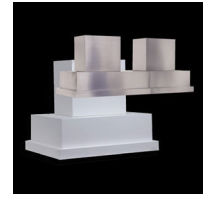
CIEH9
PG 62



CILH9
PG 63



CLH9
PG 11



COH
PG 69



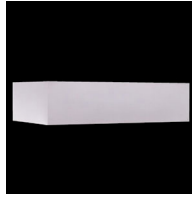
CWEAH6-K
PG 26



CWEH6-K
PG 12



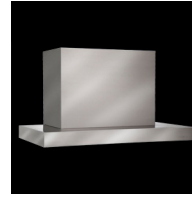
CWEH9
PG 13



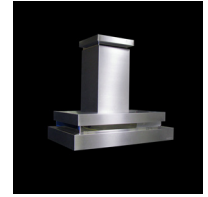
CWH
PG 43



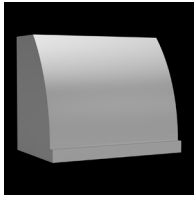
CWLH9
PG 14



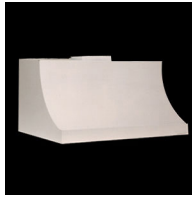
CWSH3
PG 16



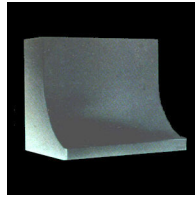
CWUH9
PG 15



CXH30
PG 38



DAH18
PG 24



DAH30
PG 39



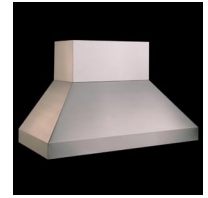
EPH18
PG 32



EPIH18
PG 72



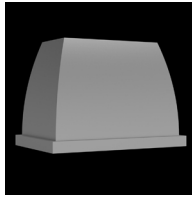
EPITH18
PG 74



EPTH18
PG 35



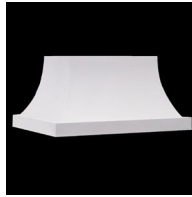
GTH-K
PG 17



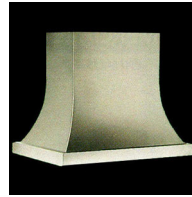
ICXH30
PG 76



ISDH18
PG 71



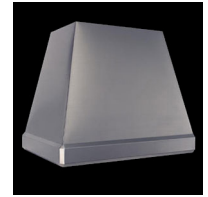
ISFH18
PG 65



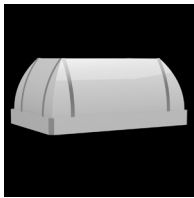
ISFH30
PG 77



ISLH18
PG 66



ISLH30
PG 78



IXRH18
PG 67



IZTH
PG 64



JCH/A1
PG 45



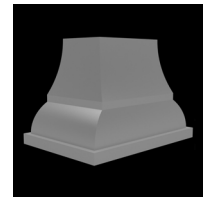
JCH/B1
PG 46



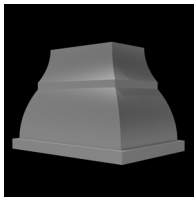
JCH/C1
PG 47



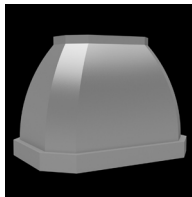
JCH/C2
PG 48



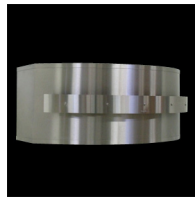
JCIH/A1
PG 55



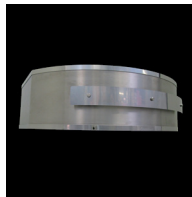
JCIH/B1
PG 56



JCIH/C1
PG 57



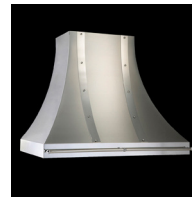
JCWR18
PG 52



JCWR9
PG 51



JDH/C1
PG 49



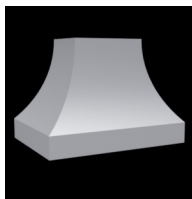
JDH/C2
PG 50



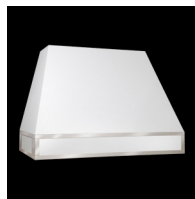
JDIH/C1
PG 58



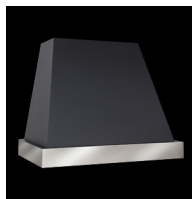
JDIH/C2
PG 59



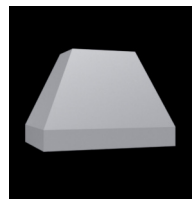
JDIH/C3
PG 60



JPH/C1
PG 53



JPH/C2
PG 54



JPIH/C1
PG 61

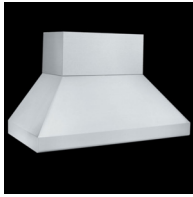


KHSLD
PG 80



NEPH18
PG 33

PICTURE INDEX - TABLE OF CONTENTS



NEPTH18
PG 36



NPH18
PG 21



NPH9
PG 10



PDAH14-K
PG 27



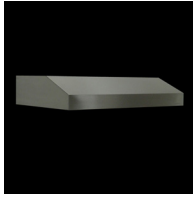
PDH14
PG 30



PDH14-K
PG 29



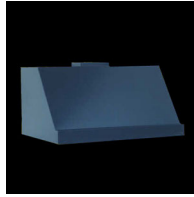
PRH18
PG 20



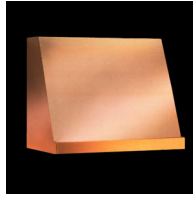
PRH6-K
PG 8



PRH9
PG 9



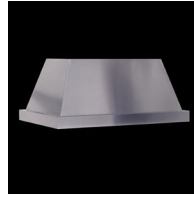
PWVH18
PG 25



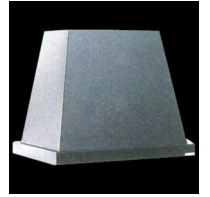
PWVH30
PG 40



PYDH18
PG 70



PYH18
PG 68



PYH30
PG 79



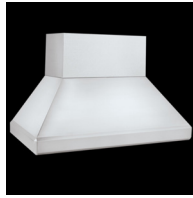
SEPH18
PG 34



SEPIH18
PG 73



SEPITH18
PG 75



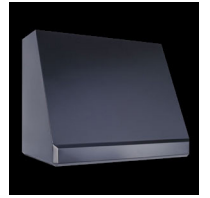
SEPTH18
PG 37



SLDH14
PG 31



SLH18
PG 22



SLH30
PG 41



SLH6-K
PG 8



SLH9
PG 10



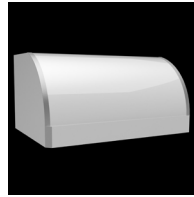
THSLE/THPSLE
PG 82



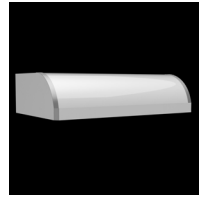
TLH
PG 44



XLH12
PG 18



XRH18
PG 23



XRH9
PG 11



ZTH
PG 19

TABLE OF CONTENTS - BY APPLICATION/HOOD TYPE

UNDER CABINET	8-11	ISLAND	55-59
PRH6-K	8	JCIH/A1	55
SLH6-K	8	JCIH/B1	56
PRH9	9	JCIH/C1	57
NPH9	10	JDIH/C1	58
SLH9	10	JDIH/C2	59
XRH9	11	JDIH/C3	60
CLH9	11	JPIH/C1	61
WALL MOUNT	12-44	ISLAND	62-79
CONTEMPORARY WALL MOUNT	12-19	CONTEMPORARY ISLAND	62-64
CWEH6-K	12	CIEH9	62
CWEH9	13	CILH9	63
CWLH9	14	IZTH	64
CWUH9	15	18" TALL ISLAND	65-68
CWSH3	16	ISFH18	65
GTH-K	17	ISLH18	66
XLH12	18	IXRH18	67
ZTH	19	PYH18	68
18" TALL WALL MOUNT	20-25	12" TALL ISLAND	69
PRH18	20	COH	69
NPH18	21	EURO-STYLE ISLAND	70-75
SLH18	22	PYDH18	70
XRH18	23	ISDH18	71
DAH18	24	EPIH18	72
PWVH18	25	SEPIH18	73
DUCT-FREE WALL MOUNT	26-27	EPITH18	74
CWEAH6-K	26	SEPITH18	75
PDAH14-K	27	30" TALL ISLAND	76-79
EURO-STYLE WALL MOUNT	29-37	ICXH30	76
PDH14-K	29	ISFH30	77
PDH14	30	ISLH30	78
SLDH14	31	PYH30	79
EPH18	32	LINER INSERTS	80-85
NEPH18	33	WALL MOUNT	80-81
SEPH18	34	KHSLD	80
EPTH18	35	BHSLD	80
NEPTH18	36	BHPSLD	81
SEPTH18	37	BHPSLB	81
30" TALL WALL MOUNT	38-41	ISLAND	82
CXH30	38	THSLE	82
DAH30	39	THPSLE	82
PWVH30	40	CUSTOM	83-85
SLH30	41	BH-LD	83
OTHER WALL MOUNT STYLES	42-44	BH-LB	83
AH12	42	BH-LA	84
CWH	43	TH-LC	85
TLH	44	TH-LE	85
DESIGNER SERIES	45-59	OTHER ITEMS	86-95
WALL MOUNT	45-54	BLOWER OPTIONS	86
JCH/A1	45	REMOTE BLOWERS	86-87
JCH/B1	46	SPLASH PANELS	88
JCH/C1	47	WARMING LAMPS & SHELVES	89
JCH/C2	48	ACCESSORY RAIL	90
JDH/C1	49	BBQ EXTENSION	91
JDH/C2	50	BANDS, FINISHES & RAILS	92
JCWR9	51	DECORATIVE ATTACHMENTS	93
JCWR18	52	VENTING ACCESSORIES	94
JPH/C1	53	REPLACEMENT PARTS	95
JPH/C2	54		

TABLE OF CONTENTS - BY MODEL NUMBER

AH12	42	PRH6-K	8
BH-LA	84	PRH18	20
BH-LB	83	PRH9	9
BH-LD	83	PWVH18	25
BHPSLB	81	PWVH30	40
BHPSLD	81	PYDH18	70
BHSLD	80	PYH18	68
CIEH9	62	PYH30	79
CILH9	63	SEPH18	34
CLH9	11	SEPIH18	73
COH	69	SEPITH18	75
CWEAH6-K	26	SEPTH18	37
CWEH6-K	12	SLDH14	31
CWEH9	13	SLH18	22
CWH	43	SLH30	41
CWLH9	14	SLH6-K	8
CWSH3	16	SLH9	10
CWUH9	15	TH-LC	85
CXH30	38	TH-LE	85
DAH18	24	THPSLE	82
DAH30	39	THSLE	82
EPH18	32	TLH	44
EPIH18	72	XLH12	18
EPITH18	74	XRH18	23
EPTH18	35	XRH9	11
GTH-K	17	ZTH	19
ICXH30	76		
ISDH18	71		
ISFH18	65		
ISFH30	77		
ISLH18	66		
ISLH30	78		
IXRH18	67		
IZTH	64		
JCH/A1	45		
JCH/B1	46		
JCH/C1	47		
JCH/C2	48		
JCWR18	52		
JCWR9	51		
JDH/C1	49		
JDH/C2	50		
JPH/C1	53		
JPH/C2	54		
JCIH/A1	55		
JCIH/B1	56		
JCIH/C1	57		
JDIH/C1	58		
JDIH/C2	59		
JDIH/C3	60		
JPIH/C1	61		
KHSLD	80		
NEPH18	33		
NEPTH18	36		
NPH18	21		
NPH9	10		
PDAH14-K	27		
PDH14	30		
PDH14-K	29		

THE VENT-A-HOOD DIFFERENCE

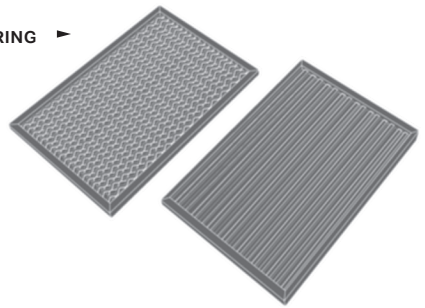
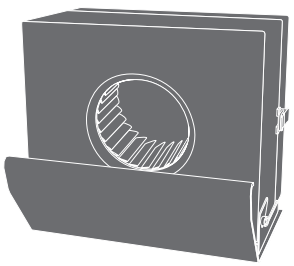
1

GREASE EXTRACTION

OUR PREMIUM
MAGIC LUNG® BLOWER

SCREEN/BAFFLE FILTER

LABORATORY TESTING OF COMPETITIVE UNITS SHOWS THAT ONLY ABOUT 30% OF THE GREASE IS COLLECTED IN THE FILTER DURING TYPICAL RESIDENTIAL COOKING.



MAGIC LUNG® VS OTHER BRANDS

CONSTANT 99%
CENTRIFUGAL
GREASE EXTRACTION

THE PATENTED MAGIC LUNG® CENTRIFUGAL GREASE EXTRACTOR COLLECTS 99% OF THE GREASE 100% OF THE TIME.

5% TO 60% VARIABLE
GREASE EXTRACTION

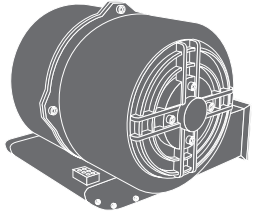
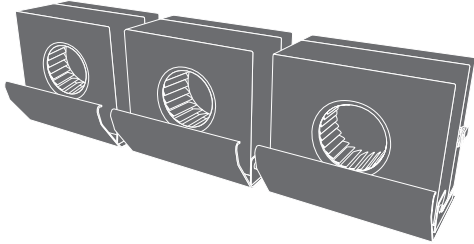
2

QUIET & POWERFUL

THE QUIETEST VENTILATION
AVAILABLE

NOISY VARIABLE
SPEED BLOWER

VARIABLE SPEED BLOWERS BECOME LOUDER AND LOUDER AS CFM INCREASES.



MAGIC LUNG® VS OTHER BRANDS

300 CFM=5.4 SONES
600 CFM=6.5 SONES
900 CFM=6.3 SONES
1200 CFM=6.6 SONES

EACH MAGIC LUNG® BLOWER SUPPLIES 300 CFM OF AIR FLOW—COMBINING MULTIPLE BLOWERS WILL MEET ANY AIR FLOW REQUIREMENT WITHOUT A NOTICEABLE CHANGE IN THE NOISE LEVEL.

300 CFM=6.0 SONES
600 CFM=9.0 SONES
900 CFM=12.0 SONES
1200 CFM=15.0 SONES

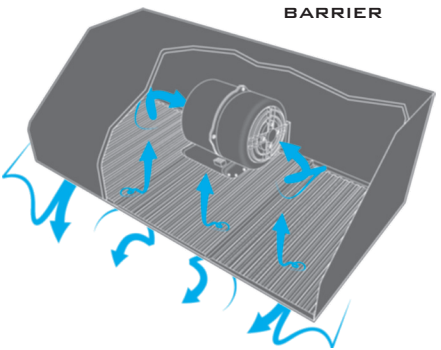
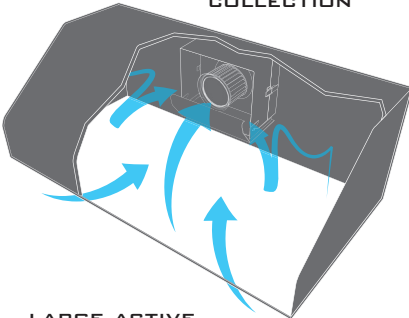
3

EFFICIENT

COLLECTION

BARRIER

FILTERS OBSTRUCT AIR FLOW AND SPOIL THE COLLECTOR PROPERTIES OF THE CANOPY.



MAGIC LUNG® VS OTHER BRANDS

LARGE ACTIVE
CANOPY REMOVES
CONTAMINANTS

A RANGE HOOD EQUIPPED WITH THE MAGIC LUNG® BLOWER SYSTEM IS A WIDE OPEN, ACTIVE COLLECTOR THAT INVITES CONTAMINANTS IN. A PROPER COLLECTOR IS THE MOST CRITICAL ELEMENT FOR GOOD COOKING VENTILATION AND REQUIRES 1/3 LESS AIR FLOW THAN A FILTER-STYLE RANGE HOOD.

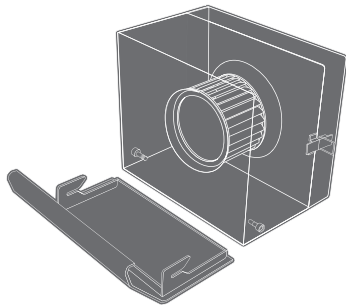
CLOSED CANOPY
RESTRICTS AIR FLOW

THE VENT-A-HOOD DIFFERENCE

4

EASY TO CLEAN

NEW E-Z CLEAN GREASE TRAY



BLOWER HOUSING SNAPS APART FOR FAST CLEANING

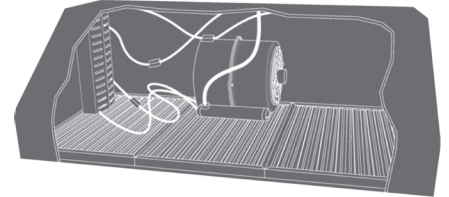
CLEANING THE GREASE FROM BEHIND THE FILTER IS NEARLY IMPOSSIBLE. ACCESS IS LIMITED BY COMPONENTS AND SHARP PROTRUSIONS. EVEN THE MOTOR GETS GREASY.

MAGIC LUNG®

VS

OTHER BRANDS

DIFFICULT TO CLEAN



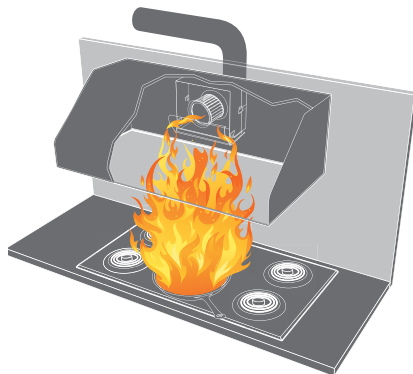
GREASE ESCAPING THE FILTERS COATS THE MOTORS AND WIRING

THE NEW E-Z CLEAN GREASE TRAY MAKES ROUTINE CLEANING EASIER THAN EVER. IF DESIRED, THE MAGIC LUNG® BLOWER COMES APART FOR EASY CLEANING IN SOAPY WATER OR A DISHWASHER.

5

FIRE SAFETY

FLAME HAS NO ACCESS TO SECONDARY SOURCES OF COMBUSTION



NO GREASY FILTER TO SUSTAIN A SECONDARY FIRE

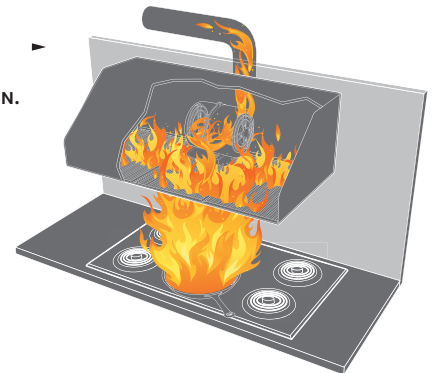
COOKING FIRES ARE THE LEADING CAUSE OF HOME FIRES (150,000 PER YEAR - NFPA) FILTERS ARE FLAMMABLE AND CAN SUSTAIN A SECONDARY FIRE NEAR THE INLET TO THE BLOWER LEADING TO A DUCT FIRE. FIRE INSURANCE CLAIMS AGAINST FILTERED HOODS ARE COMMON.

MAGIC LUNG®

VS

OTHER BRANDS

FLAME HAS DIRECT ACCESS TO MULTIPLE SOURCES OF COMBUSTION



GREASY FILTERS AND DUCTING ARE FLAMMABLE

THE MAGIC LUNG® CONSTANT-SPEED BLOWER IS DESIGNED TO KEEP GREASE AND FLAME FROM ENTERING THE DUCT. IN OVER 75 YEARS, VENT-A-HOOD HAS NEVER RECEIVED A REPORT OF AN ATTIC OR WALL FIRE WHEN THE MAGIC LUNG® HAS BEEN IN USE.

6

WARRANTY

THE PERFORMANCE GUARANTEED MAGIC LUNG®



MAGIC LUNG®

VS

OTHER BRANDS

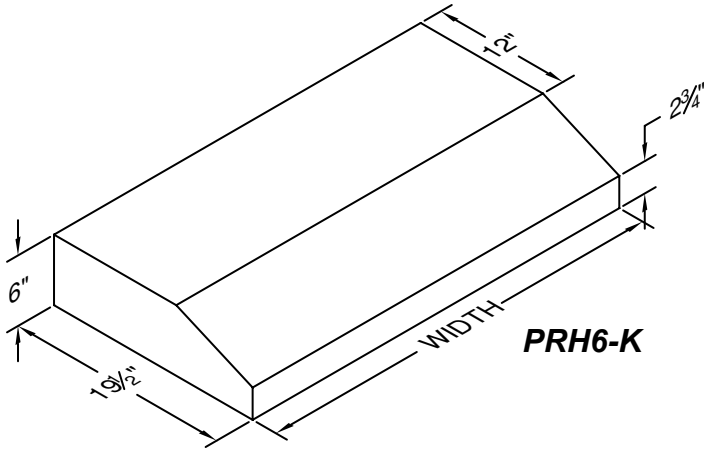
STANDARD INDUSTRY WARRANTY



WE'VE GOT YOU COVERED WITH THE BEST WARRANTY IN THE INDUSTRY. VENT-A-HOOD® HAS LONG BEEN THE MOST RESPECTED NAME IN VENTILATION. OUR PRODUCTS ARE GUARANTEED TO WORK AND WE STAND ON OVER 75 YEARS OF MANUFACTURING THE HIGHEST QUALITY VENTILATION PRODUCTS. OUR FAMILY IS DEVOTED TO YOUR SATISFACTION.

PRH6-K & SLH6-K UNDER CABINET RANGE HOODS

**RECOMMENDED MOUNTING HEIGHT
FROM COOKING SURFACE: 21"-24"**

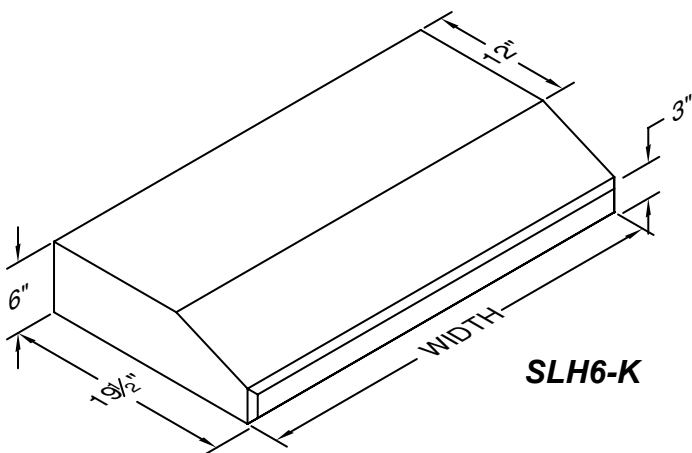


MODEL NO.	WIDTH	PAINTED	STAINLESS	#LTS
WITH SINGLE BLOWER (250 CFM)				
PRH6-K24	24"	598	659	2
PRH6-K30	30"	598	679	2
PRH6-K36	36"	598	699	2
PRH6-K42	42"	702	868	3

PRODUCT FEATURES

- 250 CFM (375 EQUIVALENT)
- BACK VENT OR TOP VENT
- STANDARD SIZES ONLY, NO CUSTOMIZATIONS
- PAINTED FINISHES INCLUDE BISCUIT, BLACK, GUNSMOKE, AND WHITE

**RECOMMENDED MOUNTING HEIGHT
FROM COOKING SURFACE: 21"-24"**



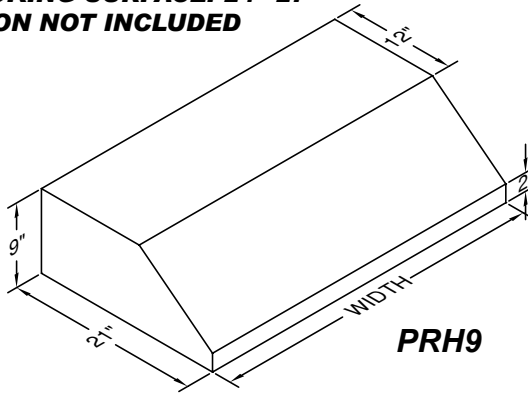
MODEL NO.	WIDTH	PAINTED	STAINLESS	#LTS
WITH SINGLE BLOWER (250 CFM)				
SLH6-K24	24"	598	659	2
SLH6-K30	30"	598	679	2
SLH6-K36	36"	598	699	2
SLH6-K42	42"	702	868	3

PRODUCT FEATURES

- 250 CFM (375 EQUIVALENT)
- BACK VENT OR TOP VENT
- STANDARD SIZES ONLY, NO CUSTOMIZATIONS
- PAINTED FINISHES INCLUDE BISCUIT, BLACK, GUNSMOKE, AND WHITE

PRH9 UNDER CABINET RANGE HOOD

**RECOMMENDED MOUNTING HEIGHT
FROM COOKING SURFACE: 24"-27"
TRANSITION NOT INCLUDED**



MODEL NO.	WIDTH	PAINTED	STAINLESS	OVERLAY*	#LTS
WITH SINGLE BLOWER (300 CFM)					
PRH9-130	30"	883	1099	1704	2
PRH9-136	36"	883	1122	1704	2
PRH9-142	42"	1051	1290	1922	3
PRH9-148	48"	1104	1344	1976	3
WITH DUAL BLOWER (600 CFM)					
PRH9-230	30"	1269	1499	2088	2
PRH9-236	36"	1269	1499	2088	2
PRH9-242	42"	1435	1710	2306	3
PRH9-248	48"	1488	1764	2360	3
WITH DUAL & SINGLE BLOWERS (900 CFM)					
PRH9-342	42"	1843	2214	2714	3
PRH9-348	48"	1896	2268	2768	3
WITH TWO DUAL BLOWERS (1200 CFM)					
PRH9-448	48"	2280	2688	3152	3

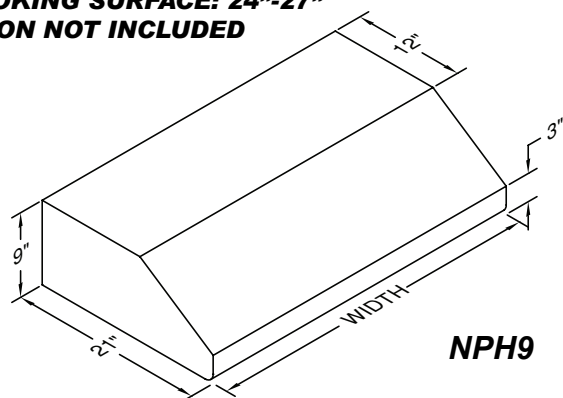
*FOR OVERLAY HOODS, SPECIFY INTERIOR COLOR

USE VP562 TRANSITION (OPTIONAL) ON 900 CFM MODELS TO COMBINE OUTLETS INTO A SINGLE 10" DUCT.
USE VP563 TRANSITION (OPTIONAL) ON 1200 CFM MODELS TO COMBINE OUTLETS INTO A SINGLE 12" DUCT.

PRH9 UNDER CABINET HOOD VARIATIONS				
WIDTHS OVER 48"				STAINLESS STEEL INTERIOR ON OVERLAY HOOD
	PAINTED	STAINLESS	OVERLAY	SUBTRACT PAINTED PRICE OF HOOD FROM STAINLESS PRICE OF HOOD
FOR EACH 6" SEGMENT	145	198	237	CUSTOM COLOR (SEE CUSTOM COLOR CHART)
PLUS		238		ADD 720
SPECIAL WIDTH (LESS THAN 48")				REMOTE BLOWER OPTIONS
USE NEXT LARGEST SIZE ON PRICE LIST				SEE PAGES 86-87 FOR REMOTE BLOWER OPTIONS
PLUS		238		TRIM OPTIONS
SPECIAL BLOWER LOCATION				SEE PAGES 92-93 FOR FINISH AND TRIM OPTIONS
LEFT TO RIGHT, SPECIFY COLLAR CENTERLINE				WARMING LAMPS AND SHELVES
ADD		238		SEE PAGES 89 FOR WARMING LAMP AND SHELF OPTIONS

NPH9 & SLH9 UNDER CABINET RANGE HOODS

RECOMMENDED MOUNTING HEIGHT FROM COOKING SURFACE: 24"-27" TRANSITION NOT INCLUDED



NPH9

MODEL NO.	WIDTH	PAINTED	STAINLESS	OVERLAY*	#LTS
WITH SINGLE BLOWER (300 CFM)					
NPH9-130	30"	1071	1399	2091	2
NPH9-136	36"	1071	1399	2091	2
NPH9-142	42"	1290	1662	2390	3
NPH9-148	48"	1356	1729	2470	3
WITH DUAL BLOWER (600 CFM)					
NPH9-230	30"	1455	1799	2475	2
NPH9-236	36"	1455	1799	2475	2
NPH9-242	42"	1674	2082	2774	3
NPH9-248	48"	1740	2149	2854	3
WITH DUAL & SINGLE BLOWERS (900 CFM)					
NPH9-342	42"	2082	2586	3182	3
NPH9-348	48"	2148	2653	3262	3
WITH TWO DUAL BLOWERS (1200 CFM)					
NPH9-448	48"	2532	3073	3646	3

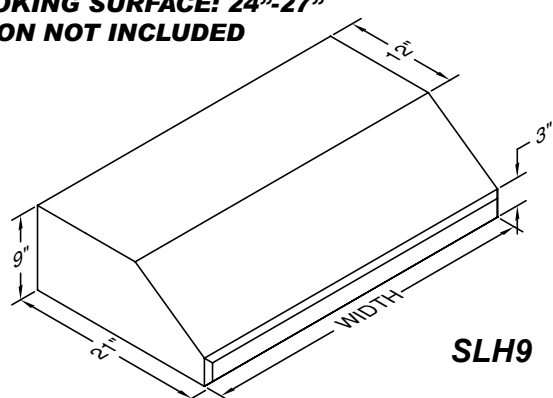
*FOR OVERLAY HOODS, SPECIFY INTERIOR COLOR

USE VP562 TRANSITION (OPTIONAL) ON 900 CFM MODELS TO COMBINE OUTLETS INTO A SINGLE 10" DUCT.
 USE VP563 TRANSITION (OPTIONAL) ON 1200 CFM MODELS TO COMBINE OUTLETS INTO A SINGLE 12" DUCT.

NPH9 UNDER CABINET HOOD VARIATIONS

WIDTHS OVER 48"	PAINTED	STAINLESS	OVERLAY	STAINLESS STEEL INTERIOR ON OVERLAY HOOD SUBTRACT PAINTED PRICE OF HOOD FROM STAINLESS PRICE OF HOOD
FOR EACH 6" SEGMENT	145	198	237	
PLUS		238		CUSTOM COLOR (SEE CUSTOM COLOR CHART) ADD 720
SPECIAL WIDTH (LESS THAN 48") USE NEXT LARGEST SIZE ON PRICE LIST				REMOTE BLOWER OPTIONS SEE PAGES 86-87 FOR REMOTE BLOWER OPTIONS
PLUS		238		TRIM OPTIONS SEE PAGES 92-93 FOR FINISH AND TRIM OPTIONS
SPECIAL BLOWER LOCATION LEFT TO RIGHT, SPECIFY COLLAR CENTERLINE				WARMING LAMPS AND SHELVES SEE PAGES 89 FOR WARMING LAMP AND SHELF OPTIONS
ADD		238		

RECOMMENDED MOUNTING HEIGHT FROM COOKING SURFACE: 24"-27" TRANSITION NOT INCLUDED



SLH9

MODEL NO.	WIDTH	PAINTED	STAINLESS	OVERLAY*	#LTS
WITH SINGLE BLOWER (300 CFM)					
SLH9-130	30"	1071	1399	2091	2
SLH9-136	36"	1071	1399	2091	2
SLH9-142	42"	1290	1662	2390	3
SLH9-148	48"	1356	1729	2470	3
WITH DUAL BLOWER (600 CFM)					
SLH9-230	30"	1455	1799	2475	2
SLH9-236	36"	1455	1799	2475	2
SLH9-242	42"	1674	2082	2774	3
SLH9-248	48"	1740	2149	2854	3
WITH DUAL & SINGLE BLOWERS (900 CFM)					
SLH9-342	42"	2082	2586	3182	3
SLH9-348	48"	2148	2653	3262	3
WITH TWO DUAL BLOWERS (1200 CFM)					
SLH9-448	48"	2532	3073	3646	3

*FOR OVERLAY HOODS, SPECIFY INTERIOR COLOR.

USE VP562 TRANSITION (OPTIONAL) ON 900 CFM MODELS TO COMBINE OUTLETS INTO A SINGLE 10" DUCT.
 USE VP563 TRANSITION (OPTIONAL) ON 1200 CFM MODELS TO COMBINE OUTLETS INTO A SINGLE 12" DUCT.

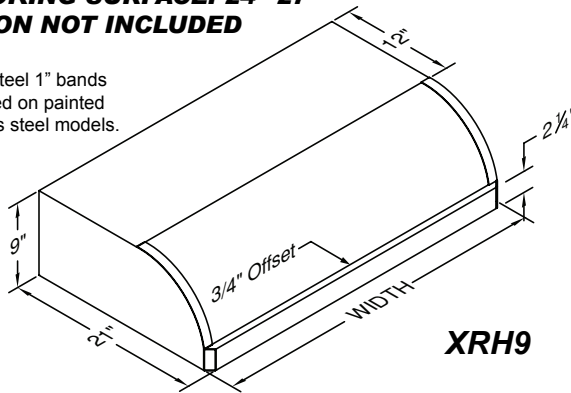
SLH9 UNDER CABINET HOOD VARIATIONS

WIDTHS OVER 48"	PAINTED	STAINLESS	OVERLAY	STAINLESS STEEL INTERIOR ON OVERLAY HOOD SUBTRACT PAINTED PRICE OF HOOD FROM STAINLESS PRICE OF HOOD
FOR EACH 6" SEGMENT	145	198	237	
PLUS		238		CUSTOM COLOR (SEE CUSTOM COLOR CHART) ADD 720
SPECIAL WIDTH (LESS THAN 48") USE NEXT LARGEST SIZE ON PRICE LIST				REMOTE BLOWER OPTIONS SEE PAGES 86-87 FOR REMOTE BLOWER OPTIONS
PLUS		238		TRIM OPTIONS SEE PAGES 92-93 FOR FINISH AND TRIM OPTIONS
SPECIAL BLOWER LOCATION LEFT TO RIGHT, SPECIFY COLLAR CENTERLINE				WARMING LAMPS AND SHELVES SEE PAGES 89 FOR WARMING LAMP AND SHELF OPTIONS
ADD		238		

XRH9 & CLH9 UNDER CABINET RANGE HOODS

RECOMMENDED MOUNTING HEIGHT FROM COOKING SURFACE: 24"-27" TRANSITION NOT INCLUDED

Stainless steel 1" bands are included on painted and stainless steel models.



XRH9

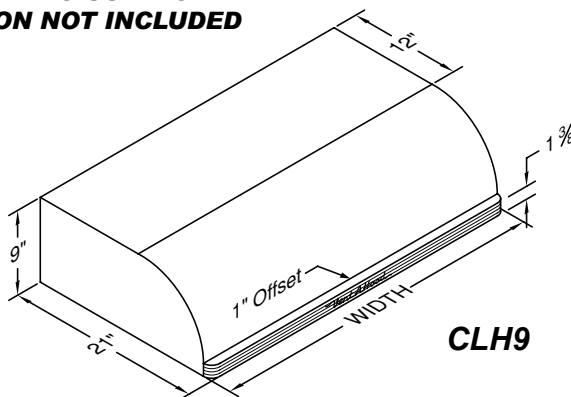
MODEL NO.	WIDTH	PAINTED	STAINLESS	OVERLAY*	#LTS
WITH SINGLE BLOWER (300 CFM)					
XRH9-130	30"	1122	1488	2204	2
XRH9-136	36"	1122	1488	2204	2
XRH9-142	42"	1320	1701	2442	3
XRH9-148	48"	1389	1771	2523	3
WITH DUAL BLOWER (600 CFM)					
XRH9-230	30"	1506	1908	2588	2
XRH9-236	36"	1506	1908	2588	2
XRH9-242	42"	1704	2121	2826	3
XRH9-248	48"	1773	2191	2907	3
WITH DUAL & SINGLE BLOWERS (900 CFM)					
XRH9-342	42"	2112	2625	3234	3
XRH9-348	48"	2181	2695	3315	3
WITH TWO DUAL BLOWERS (1200 CFM)					
XRH9-448	48"	2565	3115	3699	3

*FOR OVERLAY HOODS, SPECIFY INTERIOR COLOR
*NO BANDS ON OVERLAY MODELS

USE VP562 TRANSITION (OPTIONAL) ON 900 CFM MODELS TO COMBINE OUTLETS INTO A SINGLE 10" DUCT.
USE VP563 TRANSITION (OPTIONAL) ON 1200 CFM MODELS TO COMBINE OUTLETS INTO A SINGLE 12" DUCT.

XRH9 UNDER CABINET HOOD VARIATIONS			
WIDTHS OVER 48"	PAINTED	STAINLESS	OVERLAY
FOR EACH 6" SEGMENT	145	198	237
PLUS	238		
SPECIAL WIDTH (LESS THAN 48")	USE NEXT LARGEST SIZE ON PRICE LIST		
PLUS	238		
STAINLESS STEEL INTERIOR ON OVERLAY HOOD	SUBTRACT PAINTED PRICE OF HOOD FROM STAINLESS PRICE OF HOOD		
CUSTOM COLOR (SEE CUSTOM COLOR CHART)	ADD 720		
SPECIAL BLOWER LOCATION			
LEFT TO RIGHT, SPECIFY COLLAR CENTERLINE			
ADD 238			
REMOTE BLOWER OPTIONS			
SEE PAGES 86-87 FOR REMOTE BLOWER OPTIONS			
TRIM OPTIONS			
BANDS, NON-STANDARD COLOR 118			
TO REMOVE BANDS 118			
SEE PAGES 92-93 FOR FINISH AND TRIM OPTIONS			
WARMING LAMPS AND SHELVES			
SEE PAGES 89 FOR WARMING LAMP AND SHELF OPTIONS			

RECOMMENDED MOUNTING HEIGHT FROM COOKING SURFACE: 24"-27" TRANSITION NOT INCLUDED



CLH9

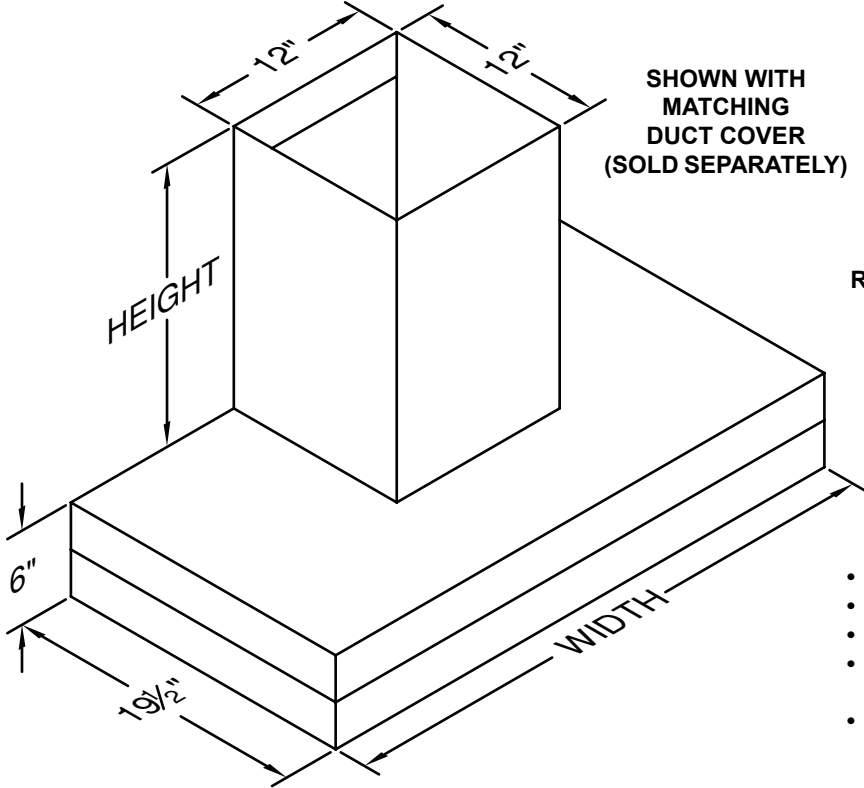
MODEL NO.	WIDTH	PAINTED	#LTS
WITH SINGLE BLOWER (300 CFM)			
CLH9-130	30"	1122	2
CLH9-136	36"	1122	2
CLH9-142	42"	1320	3
CLH9-148	48"	1389	3
WITH DUAL BLOWER (600 CFM)			
CLH9-230	30"	1506	2
CLH9-236	36"	1506	2
CLH9-242	42"	1704	3
CLH9-248	48"	1773	3
WITH DUAL & SINGLE BLOWERS (900 CFM)			
CLH9-342	42"	2112	3
CLH9-348	48"	2181	3
WITH TWO DUAL BLOWERS (1200 CFM)			
CLH9-448	48"	2565	3

USE VP562 TRANSITION (OPTIONAL) ON 900 CFM MODELS TO COMBINE OUTLETS INTO A SINGLE 10" DUCT.
USE VP563 TRANSITION (OPTIONAL) ON 1200 CFM MODELS TO COMBINE OUTLETS INTO A SINGLE 12" DUCT.

CLH9 UNDER CABINET HOOD VARIATIONS			
WIDTHS OVER 48"	PAINTED		
FOR EACH 6" SEGMENT	145		
PLUS	238		
SPECIAL WIDTH (LESS THAN 48")	USE NEXT LARGEST SIZE ON PRICE LIST		
PLUS	238		
WARMING LAMPS AND SHELVES	SEE PAGES 89 FOR WARMING LAMP AND SHELF OPTIONS		
SPECIAL BLOWER LOCATION			
LEFT TO RIGHT, SPECIFY COLLAR CENTERLINE			
ADD 238			
CUSTOM COLOR (SEE CUSTOM COLOR CHART)			
ADD 720			
REMOTE BLOWER OPTIONS			
SEE PAGES 86-87 FOR REMOTE BLOWER OPTIONS			
TRIM OPTIONS			
SEE PAGES 92-93 FOR FINISH AND TRIM OPTIONS			

CWEH6-K CONTEMPORARY WALL MOUNT RANGE HOOD

**RECOMMENDED MOUNTING HEIGHT
FROM COOKING SURFACE: 24"**



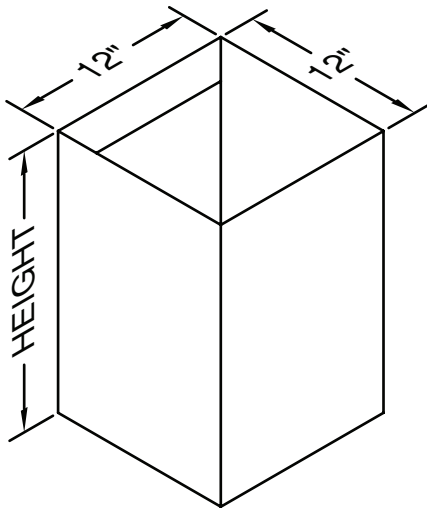
SHOWN WITH
MATCHING
DUCT COVER
(SOLD SEPARATELY)

MODEL NO.	WIDTH	PAINTED	STAINLESS	#LTS
WITH SINGLE BLOWER (250 CFM)				
CWEH6-K30	30"	1076	1299	2
CWEH6-K36	36"	1076	1299	2
CWEH6-K42	42"	1257	1599	3
CWEH6-K48	48"	1318	1660	3

DUCT COVER HAS A
REMOVABLE FRONT PANEL

PRODUCT FEATURES

- 250 CFM (375 EQUIVALENT)
- TOP VENT ONLY
- STANDARD SIZES ONLY, NO CUSTOMIZATIONS
- PAINTED FINISHES INCLUDE BISCUIT, BLACK, GUNSMOKE, AND WHITE
- DUCT COVER HAS A REMOVABLE FRONT PANEL



MODEL NO.	WIDTH	PAINTED	STAINLESS	CLG.
WDCR-12/18	12"	646	699	7'
WDCR-12/30	12"	712	818	8'
WDCR-12/42	12"	778	937	9'

CUSTOM WALL MOUNT DUCT COVERS

	PAINTED	STAINLESS
WIDTH x HEIGHT x PLUS	0.50	0.79
	541	

ANY WDCR SS DUCT COVER MORE THAN 45" TALL WILL HAVE A VERTICAL GRAIN DIRECTION.

WDCR DUCT COVERS HAVE A REMOVABLE FRONT PANEL.

FINISHED TOP

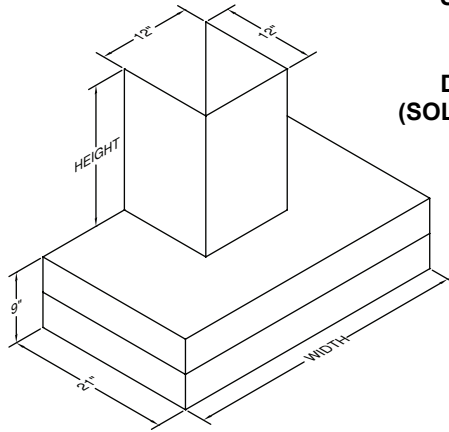
	PAINTED	STAINLESS
WIDTH x DEPTH x PLUS	0.50	0.79
	238	

SLOPED TOP ON DUCT COVER

ADD 409
SPECIFY FRONT TO BACK OR LEFT TO RIGHT DIMENSIONS.

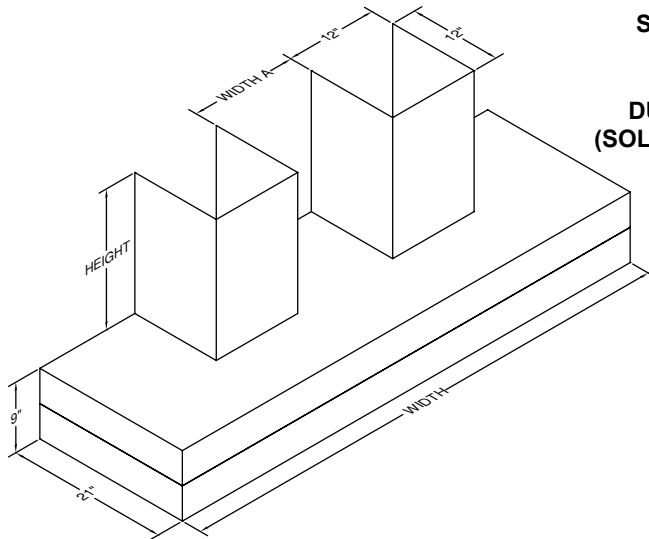
CWEH9 CONTEMPORARY WALL MOUNT RANGE HOOD

RECOMMENDED MOUNTING HEIGHT FROM COOKING SURFACE: 27"



SHOWN WITH MATCHING SLIDE-ON DUCT COVER (SOLD SEPARATELY)

MODEL NO.	WIDTH	PAINTED	STAINLESS	#LTS
WITH SINGLE BLOWER (300 CFM)				
CWEH9-130	30"	1741	2299	2
CWEH9-136	36"	1767	2460	2
CWEH9-142	42"	1987	2667	3
CWEH9-148	48"	2091	2775	3
WITH DUAL BLOWER (600 CFM)				
CWEH9-230	30"	2125	2699	2
CWEH9-236	36"	2151	2699	2
CWEH9-242	42"	2371	3087	3
CWEH9-248	48"	2464	2999	3
CWEH9-254	54"	2937	3844	4

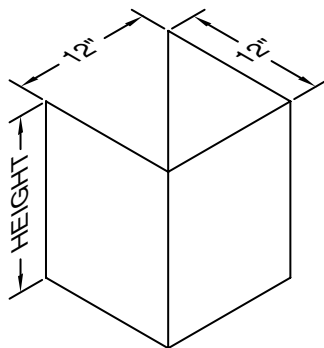


SHOWN WITH MATCHING SLIDE-ON DUCT COVERS (SOLD SEPARATELY)

MODEL NO.	WIDTH	PAINTED	STAINLESS	#LTS
WITH DUAL & SINGLE BLOWERS (900 CFM)				
CWEH9-342	42"	2893	3705	3
CWEH9-348	48"	3234	3801	3
CWEH9-354	54"	3471	4492	4
CWEH9-360	60"	3621	4725	4
WITH TWO DUAL BLOWERS (1200 CFM)				
CWEH9-448	48"	3618	4221	3
CWEH9-454	54"	3855	4912	4
CWEH9-460	60"	4005	5145	4
CWEH9-466	66"	4196	5378	4

SPACE BETWEEN DUCT COVERS

MODEL NO.	WIDTH A
CWEH9-342	4"
CWEH9-348	8"
CWEH9-354	10"
CWEH9-360	12"
CWEH9-448	10"
CWEH9-454	10"
CWEH9-460	12"
CWEH9-466	14"



MODEL NO.	WIDTH	PAINTED	STAINLESS	CLG.
WSDC-12/12	12"	475	514	7'
WSDC-12/24	12"	541	633	8'
WSDC-12/36	12"	620	739	9'

CUSTOM WALL MOUNT DUCT COVERS

	PAINTED	STAINLESS
WIDTH x HEIGHT x PLUS	0.50	0.79
	409	

ANY WSDC SS DUCT COVER MORE THAN 47" TALL WILL HAVE A VERTICAL GRAIN DIRECTION.

FINISHED TOP

	PAINTED	STAINLESS
WIDTH x DEPTH x PLUS	0.50	0.79
	238	

SLOPED TOP ON DUCT COVER

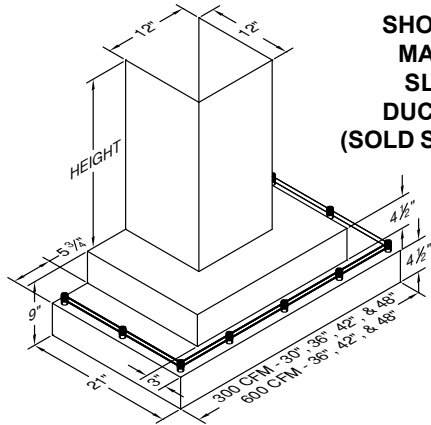
ADD 409
SPECIFY FRONT TO BACK OR LEFT TO RIGHT DIMENSIONS.

CWEH9 CONTEMPORARY WALL MOUNT HOOD VARIATIONS

WIDTHS OVER 66"	PAINTED	STAINLESS	SPECIAL WIDTH (LESS THAN 66")
FOR EACH 6" SEGMENT PLUS	184	264	USE NEXT LARGEST SIZE ON PRICE LIST PLUS
	238		238

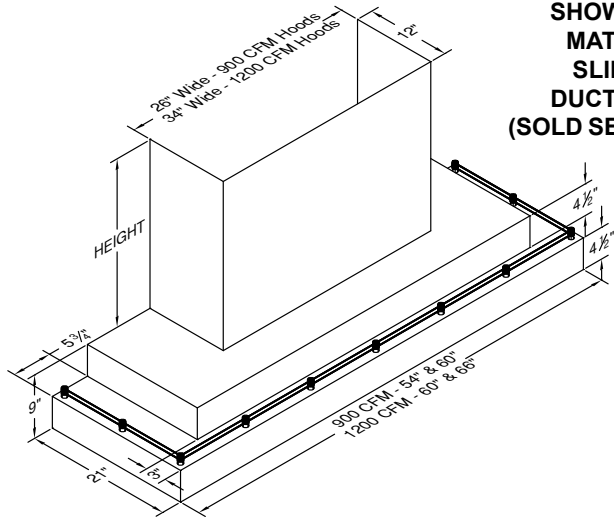
CWLH9 CONTEMPORARY WALL MOUNT RANGE HOOD

RECOMMENDED MOUNTING HEIGHT FROM COOKING SURFACE: 27"
TRANSITION NOT INCLUDED



SHOWN WITH MATCHING SLIDE-ON DUCT COVER (SOLD SEPARATELY)

MODEL NO.	WIDTH	PAINTED	STAINLESS	#LTS
WITH SINGLE BLOWER (300 CFM)				
CWLH9-130	30"	1704	2299	2
CWLH9-136	36"	1717	2378	2
CWLH9-142	42"	1976	2650	3
CWLH9-148	48"	2068	2757	3
WITH DUAL BLOWER (600 CFM)				
CWLH9-236	36"	2101	2699	2
CWLH9-242	42"	2360	3070	3
CWLH9-248	48"	2452	3177	3



SHOWN WITH MATCHING SLIDE-ON DUCT COVER (SOLD SEPARATELY)

MODEL NO.	WIDTH	PAINTED	STAINLESS	#LTS
WITH DUAL & SINGLE BLOWERS (900 CFM)				
CWLH9-354	54"	3465	4483	4
CWLH9-360	60"	3626	4711	4
WITH TWO DUAL BLOWERS (1200 CFM)				
CWLH9-460	60"	4010	5131	4
CWLH9-466	66"	4117	5278	4

USE VP562 TRANSITION (OPTIONAL) ON 900 CFM MODELS TO COMBINE OUTLETS INTO A SINGLE 10" DUCT.

USE VP563 TRANSITION (OPTIONAL) ON 1200 CFM MODELS TO COMBINE OUTLETS INTO A SINGLE 12" DUCT.

CUSTOM WALL MOUNT DUCT COVERS

	PAINTED	STAINLESS
WIDTH x HEIGHT x PLUS	0.50	0.79
	409	

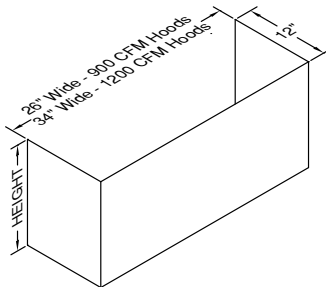
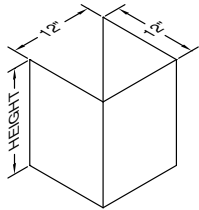
ANY WSDC SS DUCT COVER MORE THAN 47" TALL WILL HAVE A VERTICAL GRAIN DIRECTION.

FINISHED TOP

	PAINTED	STAINLESS
WIDTH x DEPTH x PLUS	0.50	0.79
	238	

SLOPED TOP ON DUCT COVER

ADD	409	
SPECIFY FRONT TO BACK OR LEFT TO RIGHT DIMENSIONS.		



MODEL NO.	WIDTH	PAINTED	STAINLESS	CLG.
WSDC-12/12	12"	475	514	7'
WSDC-12/24	12"	541	633	8'
WSDC-12/36	12"	620	739	9'

MODEL NO.	WIDTH	PAINTED	STAINLESS	CLG.
WSDC-26/12	26"	567	646	7'
WSDC-26/24	26"	712	897	8'
WSDC-26/36	26"	871	1135	9'

MODEL NO.	WIDTH	PAINTED	STAINLESS	CLG.
WSDC-34/12	34"	607	726	7'
WSDC-34/24	34"	818	1042	8'
WSDC-34/36	34"	1016	1372	9'

CWLH9 CONTEMPORARY WALL MOUNT HOOD VARIATIONS

WIDTHS OVER 66"

FOR EACH 6" SEGMENT PLUS	PAINTED 184	STAINLESS 264
	238	

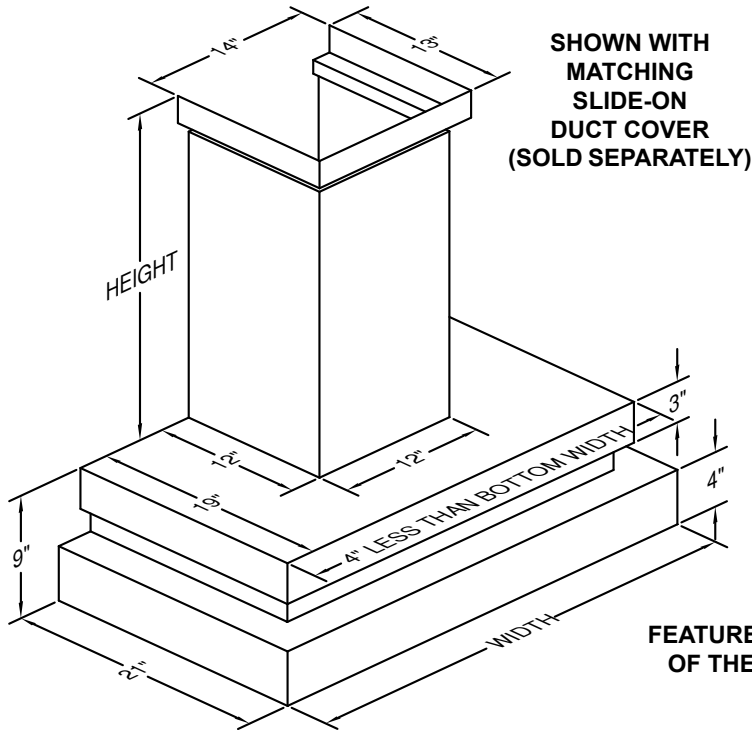
SPECIAL WIDTH (LESS THAN 66")

USE NEXT LARGEST SIZE ON PRICE LIST PLUS 238

REMOVE GALLEY RAIL TO REMOVE RAIL, NO CHARGE

CWUH9 CONTEMPORARY WALL MOUNT RANGE HOOD

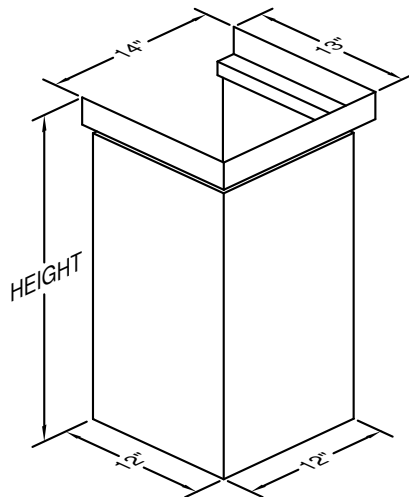
**RECOMMENDED MOUNTING HEIGHT
FROM COOKING SURFACE: 27"
TRANSITION NOT INCLUDED**



**SHOWN WITH
MATCHING
SLIDE-ON
DUCT COVER
(SOLD SEPARATELY)**

MODEL NO.	WIDTH	PAINTED	STAINLESS	#LTS
WITH SINGLE BLOWER (300 CFM)				
CWUH9-130	30"	2012	2690	2
CWUH9-136	36"	2065	2756	2
CWUH9-142	42"	2298	2990	3
CWUH9-148	48"	2416	3110	3
WITH DUAL BLOWER (600 CFM)				
CWUH9-230	30"	2396	3110	2
CWUH9-236	36"	2449	3176	2
CWUH9-242	42"	2682	3410	3
CWUH9-248	48"	2800	3530	3
CWUH9-254	54"	3298	4203	4

FEATURES MIRROR STAINLESS INLAYS AROUND THE TOP OF THE DUCT COVER AND THE MIDDLE OF THE HOOD.



MODEL NO.	WIDTH	PAINTED	STAINLESS	CLG.
WUDC-12/12	12"	607	646	7'
WUDC-12/24	12"	686	765	8'
WUDC-12/36	12"	752	884	9'

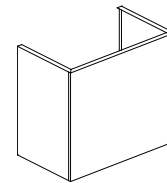
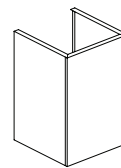
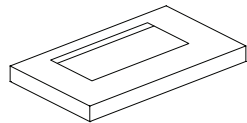
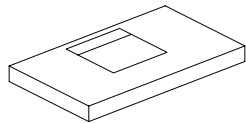
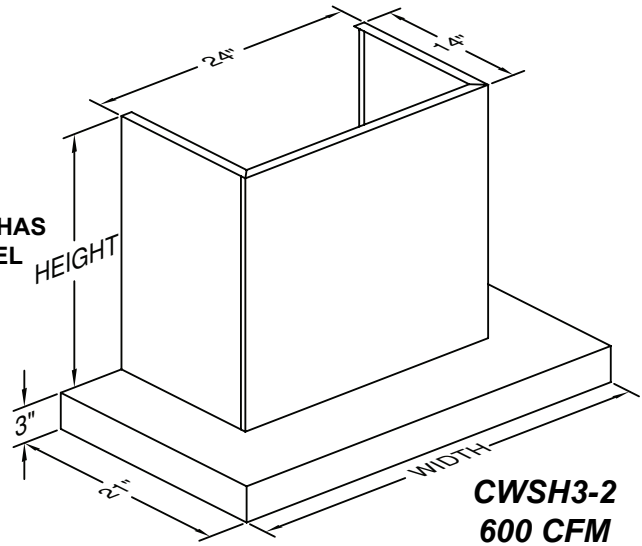
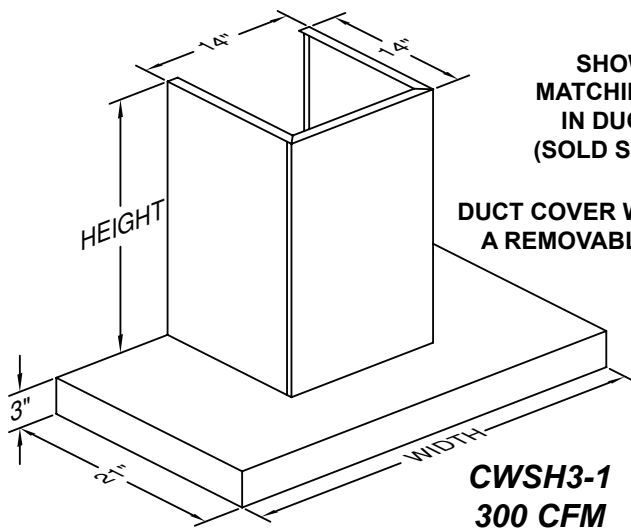
CUSTOM WALL MOUNT DUCT COVERS				
		PAINTED	STAINLESS	
WIDTH x HEIGHT x		0.50	0.79	
PLUS				541

ANY WUDC SS DUCT COVER MORE THAN 50" TALL WILL HAVE A VERTICAL GRAIN DIRECTION.

CWUH9 CONTEMPORARY WALL MOUNT HOOD VARIATIONS				
WIDTHS OVER 54"	PAINTED	STAINLESS	SPECIAL WIDTH (LESS THAN 54")	
	FOR EACH 6" SEGMENT PLUS	184	264	USE NEXT LARGEST SIZE ON PRICE LIST PLUS
		238		238
REMOVE MIRROR INSERT				
TO REMOVE MIRROR INSERT, NO CHARGE				

CWSH3 CONTEMPORARY WALL MOUNT RANGE HOOD

**RECOMMENDED MOUNTING HEIGHT
FROM COOKING SURFACE: 24"**



COMBINATIONS FOR 7' CEILING APPLICATIONS

CWSH3 HOOD CANOPY ONLY

WDHR DUCT COVER WITH BLOWER

MODEL NO.	WIDTH	STAINLESS	#LTS
FOR SINGLE BLOWER (300 CFM)*			
CWSH3-1/030	30"	1284	2
CWSH3-1/036	36"	1284	2
CWSH3-1/042	42"	1512	3
FOR DUAL BLOWER (600 CFM)*			
CWSH3-2/030	30"	1284	2
CWSH3-2/036	36"	1284	2
CWSH3-2/042	42"	1512	3

MODEL NO.	WIDTH	STAINLESS	CLG.
WITH SINGLE BLOWER (300 CFM)			
WDHR-100/21	14"	1644	7'
WDHR-100/21	14"	1644	7'
WDHR-100/21	14"	1644	7'
WITH DUAL BLOWER (600 CFM)			
WDHR-200/21	24"	2640	7'
WDHR-200/21	24"	2640	7'
WDHR-200/21	24"	2640	7'

*BLOWERS ARE INCLUDED WITH WDHR DUCT COVERS.

COMBINATIONS FOR 8' CEILING APPLICATIONS

CWSH3 HOOD CANOPY ONLY

WDHR DUCT COVER WITH BLOWER

MODEL NO.	WIDTH	STAINLESS	#LTS
FOR SINGLE BLOWER (300 CFM)*			
CWSH3-1/030	30"	1284	2
CWSH3-1/036	36"	1284	2
CWSH3-1/042	42"	1512	3
FOR DUAL BLOWER (600 CFM)*			
CWSH3-2/030	30"	1284	2
CWSH3-2/036	36"	1284	2
CWSH3-2/042	42"	1512	3

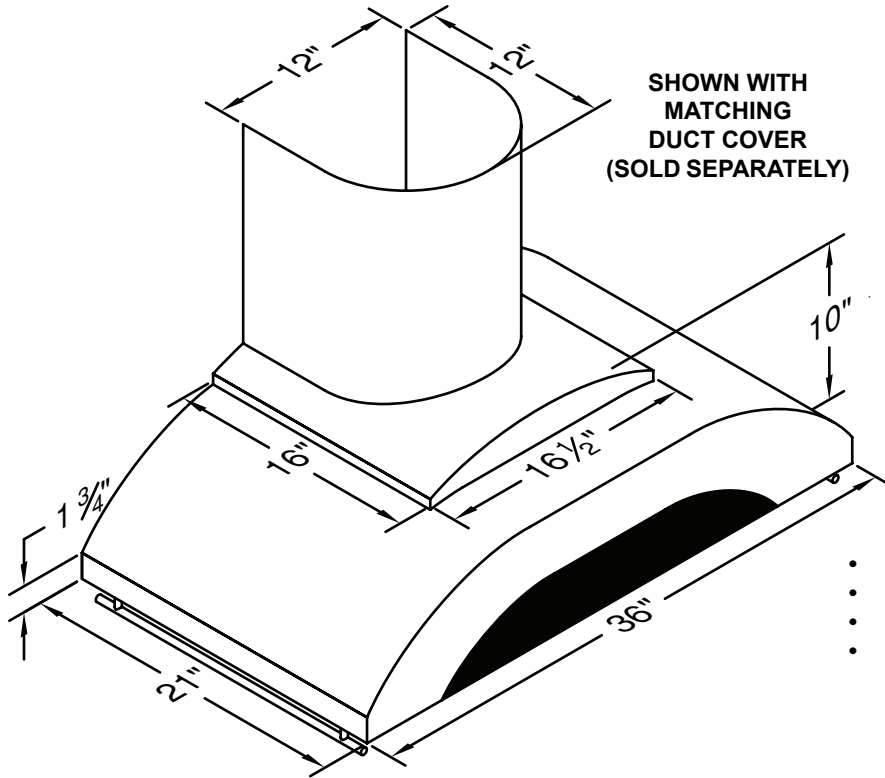
MODEL NO.	WIDTH	STAINLESS	CLG.
WITH SINGLE BLOWER (300 CFM)			
WDHR-100/33	14"	1764	8'
WDHR-100/33	14"	1764	8'
WDHR-100/33	14"	1764	8'
WITH DUAL BLOWER (600 CFM)			
WDHR-200/33	24"	2856	8'
WDHR-200/33	24"	2856	8'
WDHR-200/33	24"	2856	8'

*BLOWERS ARE INCLUDED WITH WDHR DUCT COVERS.

GTH-K CONTEMPORARY WALL MOUNT RANGE HOOD

**RECOMMENDED MOUNTING HEIGHT
FROM COOKING SURFACE: 24"**

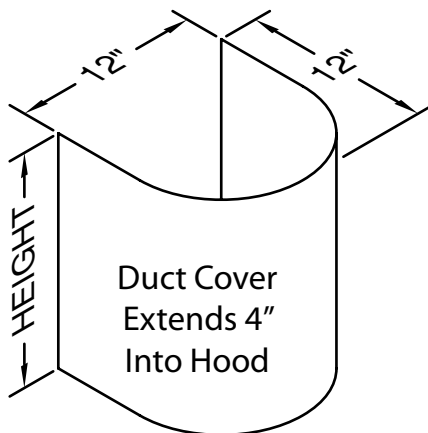
MODEL NO.	WIDTH	STAINLESS	#LTS
WITH SINGLE BLOWER (250 CFM)			
GTH-K36	36"	1299	2



PRODUCT FEATURES

- 250 CFM (375 EQUIVALENT)
- TOP VENT ONLY
- STANDARD SIZES ONLY, NO CUSTOMIZATIONS
- STAINLESS STEEL ONLY

GTH VARIATIONS	
REMOVE FIXED LENGTH SS RAIL	
ADD	238



MODEL NO.	WIDTH	STAINLESS	CLG.
WGDC-12/18	12"	580	7'
WGDC-12/30	12"	699	8'
WGDC-12/42	12"	818	9'

CUSTOM WALL MOUNT DUCT COVERS

	STAINLESS
WIDTH x HEIGHT x PLUS	0.79 409

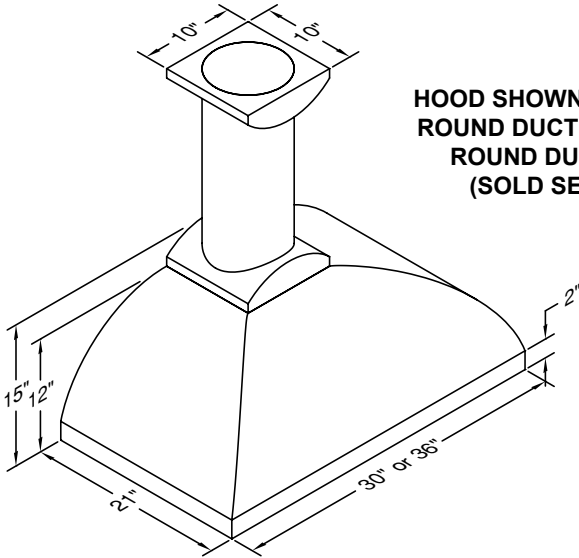
NOTE: DUCT COVER EXTENDS 4" INTO HOOD.

NOTE: WHEN PRICING CUSTOM DUCT COVERS, INCLUDE THE 4" OF DUCT COVER THAT EXTENDS INTO TOP OF HOOD.

NOTE: MAXIMUM OVERALL AVAILABLE HEIGHT IS 60"; 56" IS THE FINISHED HEIGHT ABOVE THE TOP OF THE HOOD. WGDC DUCT COVERS WITH AN OVERALL FINISHED HEIGHT MORE THAN 48" TALL WILL HAVE A VERTICAL GRAIN DIRECTION.

XLH12 CONTEMPORARY WALL MOUNT RANGE HOOD

RECOMMENDED MOUNTING HEIGHT FROM COOKING SURFACE: 24"

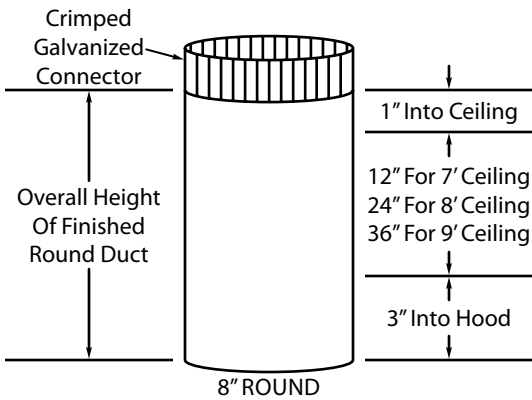


HOOD SHOWN WITH FINISHED ROUND DUCT AND TWO RXL8 ROUND DUCT COLLARS (SOLD SEPARATELY)

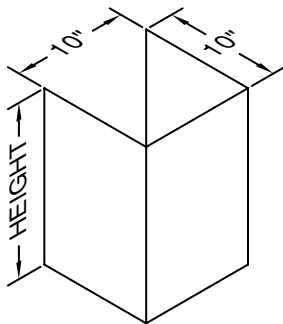
MODEL NO.	WIDTH	STAINLESS	#LTS
WITH DUAL BLOWER (600 CFM)			
BRASS LIP			
XLH12-230B	30"	2368	2
XLH12-236B	36"	2396	2
WITH DUAL BLOWER (600 CFM)			
COPPER LIP			
XLH12-230C	30"	2368	2
XLH12-236C	36"	2396	2
WITH DUAL BLOWER (600 CFM)			
MIRROR STAINLESS STEEL LIP			
XLH12-230M	30"	2368	2
XLH12-236M	36"	2396	2
WITH DUAL BLOWER (600 CFM)			
STAINLESS STEEL LIP			
XLH12-230S	30"	2368	2
XLH12-236S	36"	2396	2

FINISHED ROUND DUCT REQUIRES TWO DUCT COLLARS (SEE BELOW)

MODEL NO.	WIDTH	STAINLESS	CLG.
WRDC-8/16	8"	330	7'
WRDC-8/28	8"	409	8'
WRDC-8/40	8"	475	9'

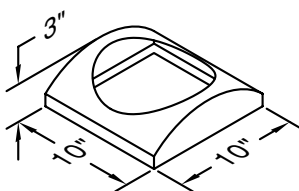


CUSTOM FINISHED ROUND DUCT	
STAINLESS	
WIDTH x HEIGHT x PLUS	0.79 409
NOTE: FINISHED ROUND DUCT EXTENDS 3" INTO TOP OF HOOD AND 1" INTO CEILING.	
NOTE: WHEN PRICING CUSTOM FINISHED ROUND DUCT, INCLUDE THE 3" THAT EXTENDS INTO TOP OF HOOD AND 1" THAT EXTENDS INTO CEILING (4" TOTAL). TOTAL OVERALL HEIGHT CANNOT EXCEED 60" (10' 8" CEILING). MODELS TALLER THAN 48" WILL HAVE A VERTICAL GRAIN DIRECTION.	
NOTE: TOP END OF FINISHED ROUND DUCT IS CRIMPED TO ALLOW FOR DUCT CONNECTION IN THE CEILING (CRIMP IS NOT INCLUDED IN THE OVERALL HEIGHT OF THE FINISHED ROUND DUCT).	

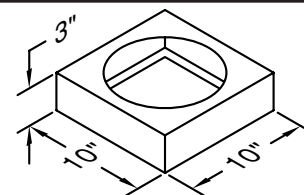


MODEL NO.	WIDTH	STAINLESS	CLG.
WDC-10/12	10"	488	7'
WDC-10/24	10"	580	8'
WDC-10/36	10"	673	9'

CUSTOM WALL MOUNT DUCT COVERS	
STAINLESS	
WIDTH x HEIGHT x PLUS	0.79 409
ANY WDC-10 SS DUCT COVER MORE THAN 45" TALL WILL HAVE A VERTICAL GRAIN DIRECTION.	
REMOVABLE FRONT PANEL	
ADD	238



MODEL NO.	WIDTH	STAINLESS
RXL8	10"	237

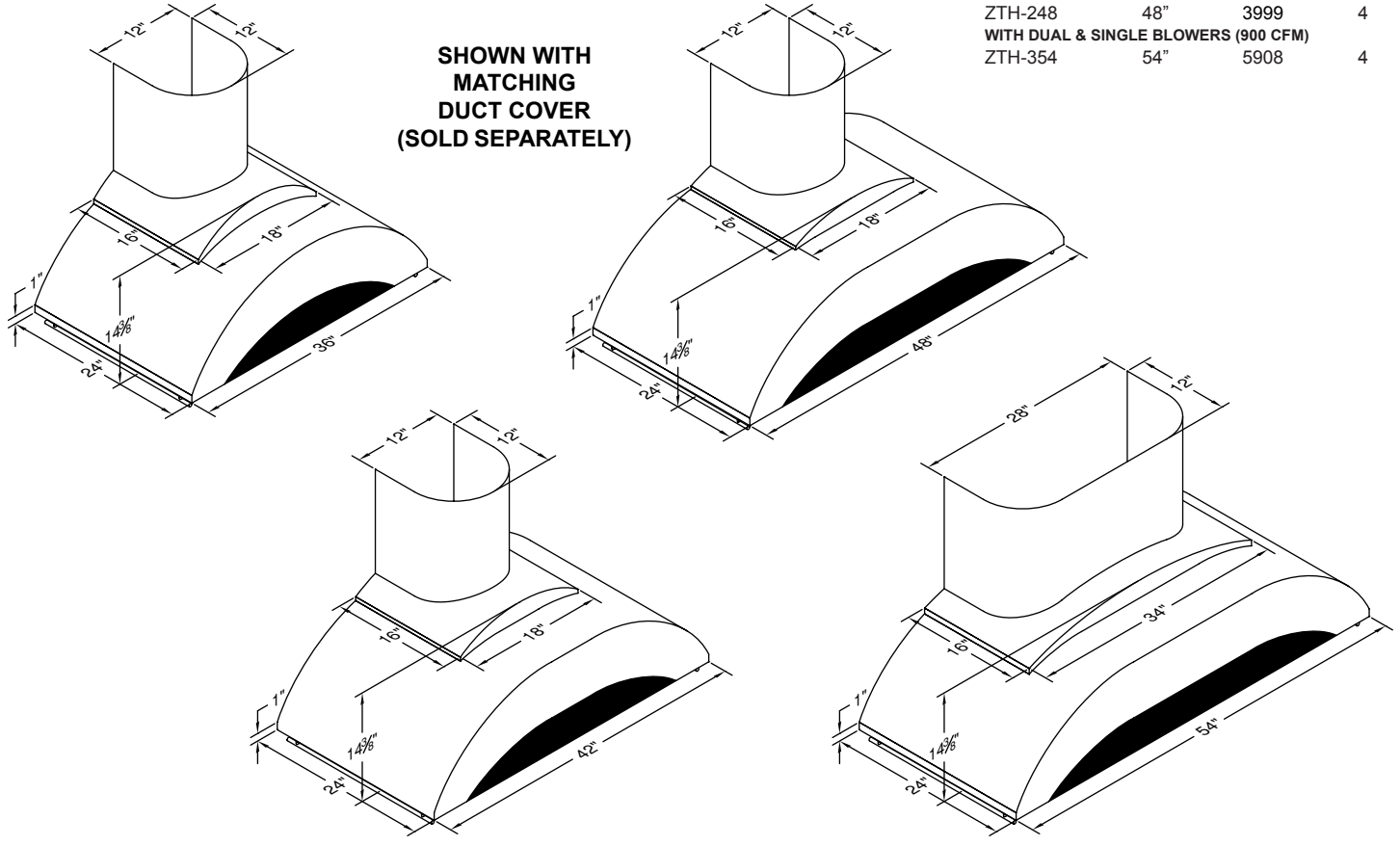


MODEL NO.	WIDTH	STAINLESS
SXL8	10"	145

ZTH CONTEMPORARY WALL MOUNT RANGE HOOD

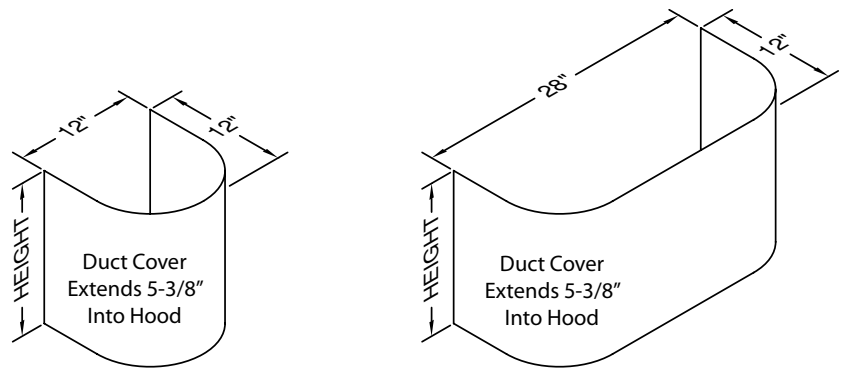
RECOMMENDED MOUNTING HEIGHT FROM COOKING SURFACE: 30" TRANSITION NOT INCLUDED

MODEL NO.	WIDTH	STAINLESS	#LTS
WITH DUAL BLOWER (600 CFM)			
ZTH-236	36"	3599	4
ZTH-242	42"	3799	4
ZTH-248	48"	3999	4
WITH DUAL & SINGLE BLOWERS (900 CFM)			
ZTH-354	54"	5908	4



USE VP562 TRANSITION (OPTIONAL) ON 900 CFM MODEL TO COMBINE OUTLETS INTO A SINGLE 10" DUCT.

ZTH VARIATIONS	
REMOVE FIXED LENGTH SS RAIL	
ADD	238



MODEL NO.	WIDTH	STAINLESS	CLG.
WZDC-12/9	12"	475	7'
WZDC-12/21	12"	580	8'
WZDC-12/33	12"	699	9'

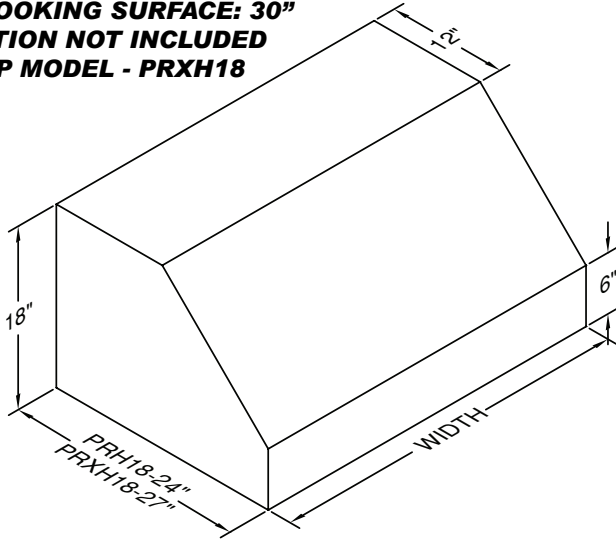
MODEL NO.	WIDTH	STAINLESS	CLG.
WZDC-28/9	28"	580	7'
WZDC-28/21	28"	844	8'
WZDC-28/33	28"	1095	9'

CUSTOM WALL MOUNT DUCT COVERS	
STAINLESS	
WIDTH x HEIGHT x PLUS	0.79
	409

NOTE: DUCT COVER EXTENDS 5-3/8" INTO HOOD.
 NOTE: WHEN PRICING CUSTOM DUCT COVERS, INCLUDE THE 5-3/8" OF DUCT COVER THAT EXTENDS INTO TOP OF HOOD.
 NOTE: MAXIMUM OVERALL AVAILABLE HEIGHT FOR 12" WIDE MODEL IS 60"; 54-5/8" IS THE FINISHED HEIGHT ABOVE THE TOP OF THE HOOD. WZDC DUCT COVERS WITH AN OVERALL HEIGHT MORE THAN 48" TALL WILL HAVE A VERTICAL GRAIN DIRECTION.
 NOTE: WHEN PRICING CUSTOM DUCT COVERS, INCLUDE THE 5-3/8" OF DUCT COVER THAT EXTENDS INTO TOP OF HOOD.

PRH18 WALL MOUNT RANGE HOOD

RECOMMENDED MOUNTING HEIGHT FROM COOKING SURFACE: 30" TRANSITION NOT INCLUDED 27" DEEP MODEL - PRXH18



MODEL NO.	WIDTH	PAINTED	STAINLESS	OVERLAY*	#LTS
WITH SINGLE BLOWER (300 CFM)					
PRH18-130	30"	1293	1699	2672	2
PRH18-136	36"	1318	1797	2786	2
PRH18-142	42"	1506	1959	3076	3
PRH18-148	48"	1582	2074	3230	3
WITH DUAL BLOWER (600 CFM)					
PRH18-230	30"	1677	2099	3056	2
PRH18-236	36"	1702	2149	3170	2
PRH18-242	42"	1890	2379	3460	3
PRH18-248	48"	2031	2494	3614	3
PRH18-254	54"	2307	3014	4222	4
WITH DUAL & SINGLE BLOWERS (900 CFM)					
PRH18-342	42"	2298	2883	3868	3
PRH18-348	48"	2374	2998	4022	3
PRH18-354	54"	2715	3518	4630	4
PRH18-360	60"	2932	3812	5001	4
WITH TWO DUAL BLOWERS (1200 CFM)					
PRH18-448	48"	2758	3399	4406	3
PRH18-454	54"	3099	3938	5014	4
PRH18-460	60"	3316	4199	5385	4
PRH18-466	66"	3457	4299	5678	4

*FOR OVERLAY HOODS, SPECIFY INTERIOR COLOR
FOR 27" DEEP MODEL, ORDER PRXH18 (NO ADDITIONAL COST)

USE VP562 TRANSITION (OPTIONAL) ON 900 CFM MODELS TO COMBINE OUTLETS INTO A SINGLE 10" DUCT.

USE VP563 TRANSITION (OPTIONAL) ON 1200 CFM MODELS TO COMBINE OUTLETS INTO A SINGLE 12" DUCT.

CUSTOM WALL MOUNT DUCT COVERS

	PAINTED	STAINLESS	OVERLAY
WIDTH x HEIGHT x PLUS	0.50	0.79	1.23

ANY WDC SS DUCT COVER MORE THAN 43" TALL WILL HAVE A VERTICAL GRAIN DIRECTION. CUSTOM SIZES MAY BE LIMITED BY RAW MATERIAL SIZE. CONTACT FACTORY FOR FURTHER DETAILS.

FINISHED TOP

	PAINTED	STAINLESS	OVERLAY
WIDTH x DEPTH x PLUS	0.50	0.79	1.23

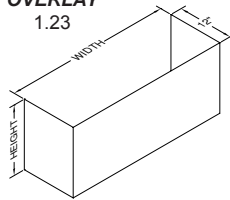
REMOVABLE FRONT PANEL

ADD	238
-----	-----

SLOPED TOP ON DUCT COVER

ADD	409
-----	-----

SPECIFY FRONT TO BACK OR LEFT TO RIGHT DIMENSIONS.



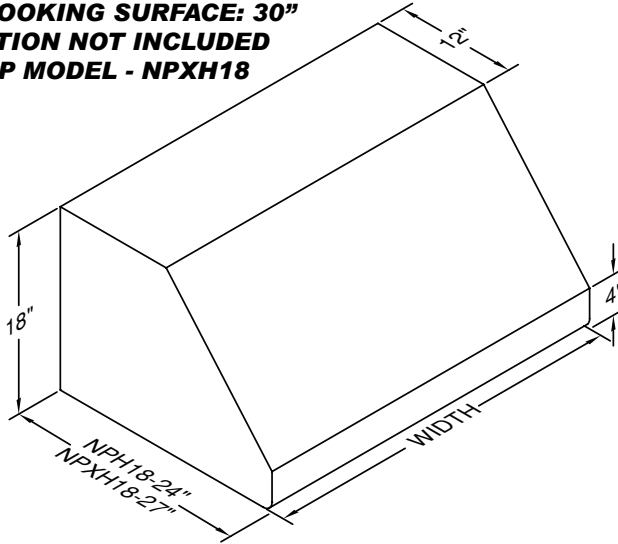
MODEL NO.	WIDTH	PAINTED	STAINLESS	OVERLAY	CLG.
WDC-30	30"	580	686	844	8'
WDC-30/24	30"	765	963	1293	9'
WDC-30/36	30"	937	1254	1729	10'
WDC-36	36"	620	739	937	8'
WDC-36/24	36"	831	1082	1465	9'
WDC-36/36	36"	1056	1425	1993	10'
WDC-42	42"	660	805	1016	8'
WDC-42/24	42"	910	1201	1636	9'
WDC-42/36	42"	1161	1597	2257	10'
WDC-48	48"	686	858	1108	8'
WDC-48/24	48"	976	1306	1821	9'
WDC-48/36	48"	1267	1755	2521	10'
WDC-54	54"	726	910	1201	8'
WDC-60	60"	765	963	1293	8'
WDC-66	66"	805	1029	1372	8'

PRH18 WALL MOUNT HOOD VARIATIONS

WIDTHS OVER 66"				SLOPED END (REDUCES TOP WIDTH BY 6" EACH)
	PAINTED	STAINLESS	OVERLAY	PER END, ADD 409
FOR EACH 6" INCREMENT	184	264	330	
PLUS		238		SPECIAL BLOWER LOCATION
SPECIAL WIDTH (LESS THAN 66")				LEFT TO RIGHT, SPECIFY COLLAR CENTERLINE
USE NEXT LARGEST SIZE ON PRICE LIST,				ADD 238
PLUS		238		SPECIAL DECK (9" MINIMUM, 18" STANDARD)
SPECIAL HEIGHT (BETWEEN 9" & 18")				ADD 238
USE STANDARD 18" PRICE,				STAINLESS STEEL INTERIOR ON OVERLAY HOOD
PLUS		409		SUBTRACT PAINTED PRICE OF HOOD FROM STAINLESS PRICE OF HOOD
DEPTH LESS THAN 24"				ADDITIONAL BLOWERS & LIGHTS
ADD		409		SEE PAGE 86 FOR BLOWER OPTIONS
DEPTH OVER 24" (EXCLUDING 27")				REMOTE BLOWER OPTIONS
	PAINTED	STAINLESS	OVERLAY	SEE PAGES 86-87 FOR REMOTE BLOWER OPTIONS
WIDTH x EXTRA DEPTH x	1.17	1.74	2.36	CUSTOM COLOR (SEE CUSTOM COLOR CHART)
PLUS		409		ADD 720
SLOPE, LIP, OFFSET, OR TOP VARIATION				TRIM OPTIONS
PER VARIATION, ADD		409		SEE PAGES 92-93 FOR FINISH AND TRIM OPTIONS
CLIPPED CORNER				WARMING LAMPS AND SHELVES
PER CORNER, ADD		409		SEE PAGES 89 FOR WARMING LAMP AND SHELF OPTIONS

NPH18 WALL MOUNT RANGE HOOD

RECOMMENDED MOUNTING HEIGHT FROM COOKING SURFACE: 30" TRANSITION NOT INCLUDED 27" DEEP MODEL - NPXH18



MODEL NO.	WIDTH	PAINTED	STAINLESS	OVERLAY*	#LTS
WITH SINGLE BLOWER (300 CFM)					
NPH18-130	30"	1728	2099	3105	2
NPH18-136	36"	1753	2229	3220	2
NPH18-142	42"	2005	2457	3511	3
NPH18-148	48"	2017	2559	3661	3
WITH DUAL BLOWER (600 CFM)					
NPH18-230	30"	2112	2499	3489	2
NPH18-236	36"	2137	2549	3604	2
NPH18-242	42"	2324	2877	3895	3
NPH18-248	48"	2401	2979	4047	3
NPH18-254	54"	2742	3448	4657	4
WITH DUAL & SINGLE BLOWERS (900 CFM)					
NPH18-342	42"	2732	3381	4303	3
NPH18-348	48"	2809	3483	4455	3
NPH18-354	54"	3150	3952	5065	4
NPH18-360	60"	3367	4245	5448	4
WITH TWO DUAL BLOWERS (1200 CFM)					
NPH18-448	48"	3193	3903	4839	3
NPH18-454	54"	3534	4372	5449	4
NPH18-460	60"	3751	4665	5832	4
NPH18-466	66"	3904	4844	6112	4

*FOR OVERLAY HOODS, SPECIFY INTERIOR COLOR FOR 27" DEEP MODEL, ORDER NPXH18 (NO ADDITIONAL COST)

USE VP562 TRANSITION (OPTIONAL) ON 900 CFM MODELS TO COMBINE OUTLETS INTO A SINGLE 10" DUCT.
 USE VP563 TRANSITION (OPTIONAL) ON 1200 CFM MODELS TO COMBINE OUTLETS INTO A SINGLE 12" DUCT.

CUSTOM WALL MOUNT DUCT COVERS

	PAINTED	STAINLESS	OVERLAY
WIDTH x HEIGHT x PLUS	0.50	0.79	1.23

ANY WDC SS DUCT COVER MORE THAN 43" TALL WILL HAVE A VERTICAL GRAIN DIRECTION. CUSTOM SIZES MAY BE LIMITED BY RAW MATERIAL SIZE. CONTACT FACTORY FOR FURTHER DETAILS.

FINISHED TOP

	PAINTED	STAINLESS	OVERLAY
WIDTH x DEPTH x PLUS	0.50	0.79	1.23

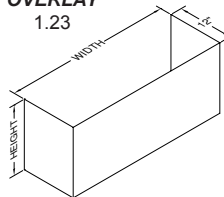
REMOVABLE FRONT PANEL

ADD	238
-----	-----

SLOPED TOP ON DUCT COVER

ADD	409
-----	-----

SPECIFY FRONT TO BACK OR LEFT TO RIGHT DIMENSIONS.



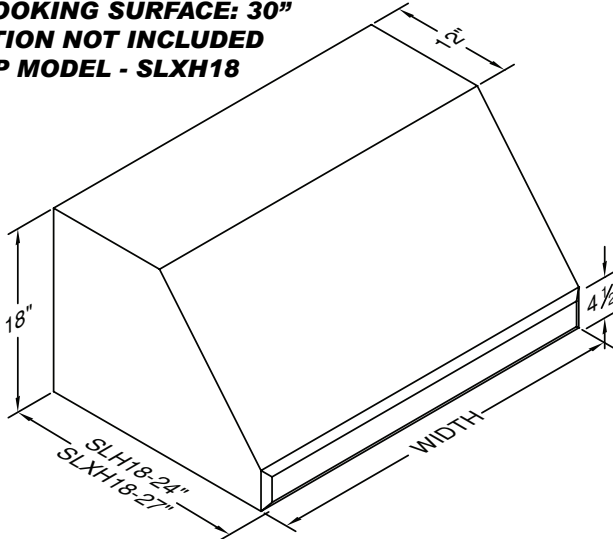
MODEL NO.	WIDTH	PAINTED	STAINLESS	OVERLAY	CLG.
WDC-30	30"	580	686	844	8'
WDC-30/24	30"	765	963	1293	9'
WDC-30/36	30"	937	1254	1729	10'
WDC-36	36"	620	739	937	8'
WDC-36/24	36"	831	1082	1465	9'
WDC-36/36	36"	1056	1425	1993	10'
WDC-42	42"	660	805	1016	8'
WDC-42/24	42"	910	1201	1636	9'
WDC-42/36	42"	1161	1597	2257	10'
WDC-48	48"	686	858	1108	8'
WDC-48/24	48"	976	1306	1821	9'
WDC-48/36	48"	1267	1755	2521	10'
WDC-54	54"	726	910	1201	8'
WDC-60	60"	765	963	1293	8'
WDC-66	66"	805	1029	1372	8'

NPH18 WALL MOUNT HOOD VARIATIONS

WIDTHS OVER 66"	PAINTED	STAINLESS	OVERLAY	SLOPED END (REDUCES TOP WIDTH BY 6" EACH)
FOR EACH 6" INCREMENT	184	264	330	PER END, ADD 409
PLUS		238		SPECIAL BLOWER LOCATION
SPECIAL WIDTH (LESS THAN 66")				LEFT TO RIGHT, SPECIFY COLLAR CENTERLINE
USE NEXT LARGEST SIZE ON PRICE LIST,				ADD 238
PLUS		238		SPECIAL DECK (9" MINIMUM, 18" STANDARD)
SPECIAL HEIGHT (BETWEEN 9" & 18")				ADD 238
USE STANDARD 18" PRICE,				STAINLESS STEEL INTERIOR ON OVERLAY HOOD
PLUS		409		SUBTRACT PAINTED PRICE OF HOOD FROM STAINLESS PRICE OF HOOD
DEPTH LESS THAN 24"				ADDITIONAL BLOWERS & LIGHTS
ADD		409		SEE PAGE 86 FOR BLOWER OPTIONS
DEPTH OVER 24" (EXCLUDING 27")				REMOTE BLOWER OPTIONS
WIDTH x EXTRA DEPTH x	PAINTED	STAINLESS	OVERLAY	SEE PAGES 86-87 FOR REMOTE BLOWER OPTIONS
PLUS	1.17	1.74	2.36	CUSTOM COLOR (SEE CUSTOM COLOR CHART)
SLOPE, LIP, OFFSET, OR TOP VARIATION				ADD 720
PER VARIATION, ADD		409		TRIM OPTIONS
				SEE PAGES 92-93 FOR FINISH AND TRIM OPTIONS
				WARMING LAMPS AND SHELVES
				SEE PAGES 89 FOR WARMING LAMP AND SHELF OPTIONS

SLH18 WALL MOUNT RANGE HOOD

RECOMMENDED MOUNTING HEIGHT FROM COOKING SURFACE: 30" TRANSITION NOT INCLUDED 27" DEEP MODEL - SLXH18



MODEL NO.	WIDTH	PAINTED	STAINLESS	OVERLAY*	#LTS
WITH SINGLE BLOWER (300 CFM)					
SLH18-130	30"	1728	2099	3105	2
SLH18-136	36"	1753	2229	3220	2
SLH18-142	42"	2005	2457	3511	3
SLH18-148	48"	2017	2559	3661	3
WITH DUAL BLOWER (600 CFM)					
SLH18-230	30"	2112	2499	3489	2
SLH18-236	36"	2137	2549	3604	2
SLH18-242	42"	2324	2877	3895	3
SLH18-248	48"	2401	2979	4047	3
SLH18-254	54"	2742	3448	4657	4
WITH DUAL & SINGLE BLOWERS (900 CFM)					
SLH18-342	42"	2732	3381	4303	3
SLH18-348	48"	2809	3483	4455	3
SLH18-354	54"	3150	3952	5065	4
SLH18-360	60"	3367	4245	5448	4
WITH TWO DUAL BLOWERS (1200 CFM)					
SLH18-448	48"	3193	3903	4839	3
SLH18-454	54"	3534	4372	5449	4
SLH18-460	60"	3751	4665	5832	4
SLH18-466	66"	3904	4844	6112	4

*FOR OVERLAY HOODS, SPECIFY INTERIOR COLOR
FOR 27" DEEP MODEL, ORDER SLXH18 (NO ADDITIONAL COST)

USE VP562 TRANSITION (OPTIONAL) ON 900 CFM MODELS TO COMBINE OUTLETS INTO A SINGLE 10" DUCT.

USE VP563 TRANSITION (OPTIONAL) ON 1200 CFM MODELS TO COMBINE OUTLETS INTO A SINGLE 12" DUCT.

CUSTOM WALL MOUNT DUCT COVERS

	PAINTED	STAINLESS	OVERLAY
WIDTH x HEIGHT x PLUS	0.50	0.79	1.23

ANY WDC SS DUCT COVER MORE THAN 43" TALL WILL HAVE A VERTICAL GRAIN DIRECTION. CUSTOM SIZES MAY BE LIMITED BY RAW MATERIAL SIZE. CONTACT FACTORY FOR FURTHER DETAILS.

FINISHED TOP

	PAINTED	STAINLESS	OVERLAY
WIDTH x DEPTH x PLUS	0.50	0.79	1.23

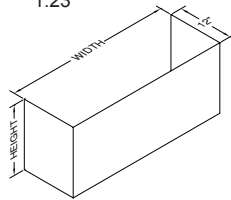
REMOVABLE FRONT PANEL

ADD	238
-----	-----

SLOPED TOP ON DUCT COVER

ADD	409
-----	-----

SPECIFY FRONT TO BACK OR LEFT TO RIGHT DIMENSIONS.



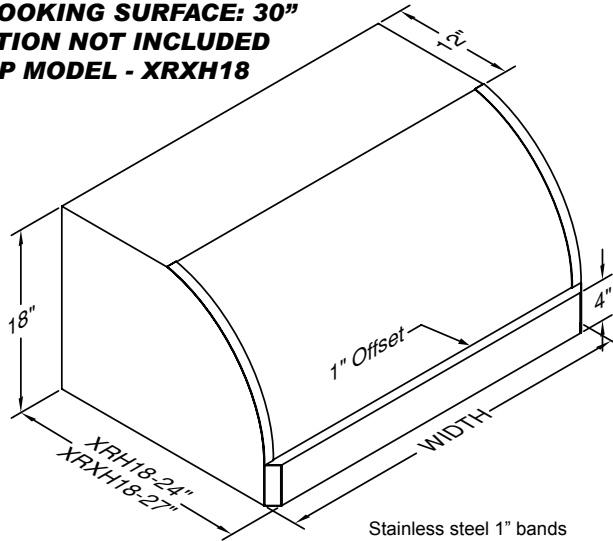
MODEL NO.	WIDTH	PAINTED	STAINLESS	OVERLAY	CLG.
WDC-30	30"	580	686	844	8'
WDC-30/24	30"	765	963	1293	9'
WDC-30/36	30"	937	1254	1729	10'
WDC-36	36"	620	739	937	8'
WDC-36/24	36"	831	1082	1465	9'
WDC-36/36	36"	1056	1425	1993	10'
WDC-42	42"	660	805	1016	8'
WDC-42/24	42"	910	1201	1636	9'
WDC-42/36	42"	1161	1597	2257	10'
WDC-48	48"	686	858	1108	8'
WDC-48/24	48"	976	1306	1821	9'
WDC-48/36	48"	1267	1755	2521	10'
WDC-54	54"	726	910	1201	8'
WDC-60	60"	765	963	1293	8'
WDC-66	66"	805	1029	1372	8'

SLH18 WALL MOUNT HOOD VARIATIONS

WIDTHS OVER 66"	PAINTED	STAINLESS	OVERLAY	SLOPED END (REDUCES TOP WIDTH BY 6" EACH, N/A ON OVERLAY)
FOR EACH 6" INCREMENT	184	264	330	PER END, ADD
PLUS		238		409
SPECIAL WIDTH (LESS THAN 66")				SPECIAL BLOWER LOCATION
USE NEXT LARGEST SIZE ON PRICE LIST,				LEFT TO RIGHT, SPECIFY COLLAR CENTERLINE
PLUS		238		ADD
				238
SPECIAL HEIGHT (BETWEEN 9" & 18")				SPECIAL DECK (9" MINIMUM, 18" STANDARD)
USE STANDARD 18" PRICE,				ADD
PLUS		409		238
DEPTH LESS THAN 24"				STAINLESS STEEL INTERIOR ON OVERLAY HOOD
ADD		409		SUBTRACT PAINTED PRICE OF HOOD FROM STAINLESS PRICE OF HOOD
DEPTH OVER 24" (EXCLUDING 27")				ADDITIONAL BLOWERS & LIGHTS
WIDTH x EXTRA DEPTH x	PAINTED	STAINLESS	OVERLAY	SEE PAGE 86 FOR BLOWER OPTIONS
PLUS	1.17	1.74	2.36	REMOTE BLOWER OPTIONS
		409		SEE PAGES 86-87 FOR REMOTE BLOWER OPTIONS
SLOPE, LIP, OFFSET, OR TOP VARIATION				CUSTOM COLOR (SEE CUSTOM COLOR CHART)
PER VARIATION, ADD		409		ADD
				720
				TRIM OPTIONS
				SEE PAGES 92-93 FOR FINISH AND TRIM OPTIONS
				WARMING LAMPS AND SHELVES
				SEE PAGES 89 FOR WARMING LAMP AND SHELF OPTIONS

XRH18 WALL MOUNT RANGE HOOD

RECOMMENDED MOUNTING HEIGHT FROM COOKING SURFACE: 30" TRANSITION NOT INCLUDED 27" DEEP MODEL - XRXH18



Stainless steel 1" bands are included on painted and stainless steel models.

MODEL NO.	WIDTH	PAINTED	STAINLESS	OVERLAY*	#LTS
WITH SINGLE BLOWER (300 CFM)					
XRH18-130	30"	1728	2257	3105	2
XRH18-136	36"	1753	2282	3220	2
XRH18-142	42"	2005	2457	3511	3
XRH18-148	48"	2017	2559	3661	3
WITH DUAL BLOWER (600 CFM)					
XRH18-230	30"	2112	2677	3489	2
XRH18-236	36"	2137	2702	3604	2
XRH18-242	42"	2324	2877	3895	3
XRH18-248	48"	2401	2979	4047	3
XRH18-254	54"	2742	3448	4657	4
WITH DUAL & SINGLE BLOWERS (900 CFM)					
XRH18-342	42"	2732	3381	4303	3
XRH18-348	48"	2809	3483	4455	3
XRH18-354	54"	3150	3952	5065	4
XRH18-360	60"	3367	4245	5448	4
WITH TWO DUAL BLOWERS (1200 CFM)					
XRH18-448	48"	3193	3903	4839	3
XRH18-454	54"	3534	4372	5449	4
XRH18-460	60"	3751	4665	5832	4
XRH18-466	66"	3904	4844	6112	4

*FOR OVERLAY HOODS, SPECIFY INTERIOR COLOR
 *NO BANDS ON OVERLAY MODELS
 FOR 27" DEEP MODEL, ORDER XRXH18 (NO ADDITIONAL COST)

USE VP562 TRANSITION (OPTIONAL) ON 900 CFM MODELS TO COMBINE OUTLETS INTO A SINGLE 10" DUCT.
 USE VP563 TRANSITION (OPTIONAL) ON 1200 CFM MODELS TO COMBINE OUTLETS INTO A SINGLE 12" DUCT.

CUSTOM WALL MOUNT DUCT COVERS

	PAINTED	STAINLESS	OVERLAY
WIDTH x HEIGHT x PLUS	0.50	0.79	1.23
ANY XDC SS DUCT COVER MORE THAN 43" TALL WILL HAVE A VERTICAL GRAIN DIRECTION. CUSTOM SIZES MAY BE LIMITED BY RAW MATERIAL SIZE. CONTACT FACTORY FOR FURTHER DETAILS.			

FINISHED TOP

	PAINTED	STAINLESS	OVERLAY
WIDTH x DEPTH x PLUS	0.50	0.79	1.23
REMOVABLE FRONT PANEL			

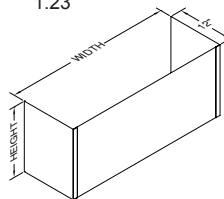
REMOVABLE FRONT PANEL

ADD	238
-----	-----

SLOPED TOP ON DUCT COVER

ADD	409
-----	-----

SPECIFY FRONT TO BACK OR LEFT TO RIGHT DIMENSIONS.



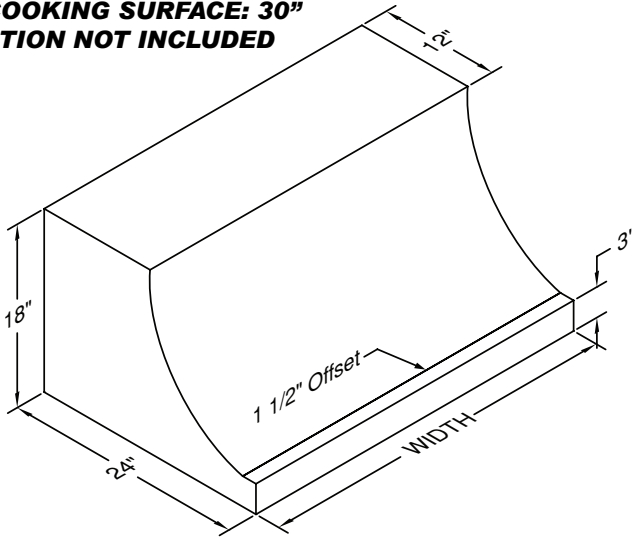
MODEL NO.	WIDTH	PAINTED	STAINLESS	OVERLAY	CLG.
XDC-30	30"	580	686	844	8'
XDC-30/24	30"	765	963	1293	9'
XDC-30/36	30"	937	1254	1729	10'
XDC-36	36"	620	739	937	8'
XDC-36/24	36"	831	1082	1465	9'
XDC-36/36	36"	1056	1425	1993	10'
XDC-42	42"	660	805	1016	8'
XDC-42/24	42"	910	1201	1636	9'
XDC-42/36	42"	1161	1597	2257	10'
XDC-48	48"	686	858	1108	8'
XDC-48/24	48"	976	1306	1821	9'
XDC-48/36	48"	1267	1755	2521	10'
XDC-54	54"	726	910	1201	8'
XDC-60	60"	765	963	1293	8'
XDC-66	66"	805	1029	1372	8'

XRH18 WALL MOUNT HOOD VARIATIONS

WIDTHS OVER 66"				SPECIAL BLOWER LOCATION
FOR EACH 6" INCREMENT	PAINTED 184	STAINLESS 264	OVERLAY 330	LEFT TO RIGHT, SPECIFY COLLAR CENTERLINE
PLUS		238		ADD 238
SPECIAL WIDTH (LESS THAN 66")				SPECIAL DECK (9" MINIMUM, 18" STANDARD)
USE NEXT LARGEST SIZE ON PRICE LIST,				ADD 238
PLUS		238		STAINLESS STEEL INTERIOR ON OVERLAY HOOD
SPECIAL HEIGHT (BETWEEN 9" & 18")				SUBTRACT PAINTED PRICE OF HOOD FROM STAINLESS PRICE OF HOOD
USE STANDARD 18" PRICE,				ADDITIONAL BLOWERS & LIGHTS
PLUS		409		SEE PAGE 86 FOR BLOWER OPTIONS
DEPTH LESS THAN 24"				REMOTE BLOWER OPTIONS
ADD		409		SEE PAGES 86-87 FOR REMOTE BLOWER OPTIONS
DEPTH OVER 24" (EXCLUDING 27")				CUSTOM COLOR (SEE CUSTOM COLOR CHART)
WIDTH x EXTRA DEPTH x PLUS	PAINTED 1.17	STAINLESS 1.74	OVERLAY 2.36	ADD 720
SLOPE, LIP, OFFSET, OR TOP VARIATION				TRIM OPTIONS
PER VARIATION, ADD		409		BANDS, NON-STANDARD COLOR 118
CONVEX END (REDUCES TOP WIDTH BY 6" EACH)				TO REMOVE BANDS 118
PER END, ADD		409		SEE PAGES 92-93 FOR ADDITIONAL FINISH AND TRIM OPTIONS
				WARMING LAMPS AND SHELVES
				SEE PAGES 89 FOR WARMING LAMP AND SHELF OPTIONS

DAH18 WALL MOUNT RANGE HOOD

RECOMMENDED MOUNTING HEIGHT FROM COOKING SURFACE: 30" TRANSITION NOT INCLUDED



MODEL NO.	WIDTH	PAINTED	STAINLESS	OVERLAY*	#LTS
WITH SINGLE BLOWER (300 CFM)					
DAH18-130	30"	1981	2540	3434	2
DAH18-136	36"	2020	2581	3554	2
DAH18-142	42"	2214	2748	3854	3
DAH18-148	48"	2307	2869	4014	3
WITH DUAL BLOWER (600 CFM)					
DAH18-230	30"	2365	2960	3818	2
DAH18-236	36"	2404	3001	3938	2
DAH18-242	42"	2598	3168	4238	3
DAH18-248	48"	2691	3289	4398	3
DAH18-254	54"	3031	3777	5031	4
WITH DUAL & SINGLE BLOWERS (900 CFM)					
DAH18-342	42"	3006	3672	4646	3
DAH18-348	48"	3099	3793	4806	3
DAH18-354	54"	3439	4281	5439	4
DAH18-360	60"	3666	4590	5826	4
WITH TWO DUAL BLOWERS (1200 CFM)					
DAH18-448	48"	3483	4213	5190	3
DAH18-454	54"	3823	4701	5823	4
DAH18-460	60"	4050	5010	6210	4
DAH18-466	66"	4196	5198	6517	4

*FOR OVERLAY HOODS, SPECIFY INTERIOR COLOR

USE VP562 TRANSITION (OPTIONAL) ON 900 CFM MODELS TO COMBINE OUTLETS INTO A SINGLE 10" DUCT.

USE VP563 TRANSITION (OPTIONAL) ON 1200 CFM MODELS TO COMBINE OUTLETS INTO A SINGLE 12" DUCT.

CUSTOM WALL MOUNT DUCT COVERS

	PAINTED	STAINLESS	OVERLAY
WIDTH x HEIGHT x PLUS	0.50	0.79	1.23
		409	

ANY WDC SS DUCT COVER MORE THAN 43" TALL WILL HAVE A VERTICAL GRAIN DIRECTION. CUSTOM SIZES MAY BE LIMITED BY RAW MATERIAL SIZE. CONTACT FACTORY FOR FURTHER DETAILS.

FINISHED TOP

	PAINTED	STAINLESS	OVERLAY
WIDTH x DEPTH x PLUS	0.50	0.79	1.23
		238	

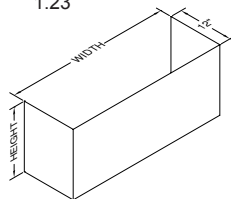
REMOVABLE FRONT PANEL

ADD	238
-----	-----

SLOPED TOP ON DUCT COVER

ADD	409
-----	-----

SPECIFY FRONT TO BACK OR LEFT TO RIGHT DIMENSIONS.



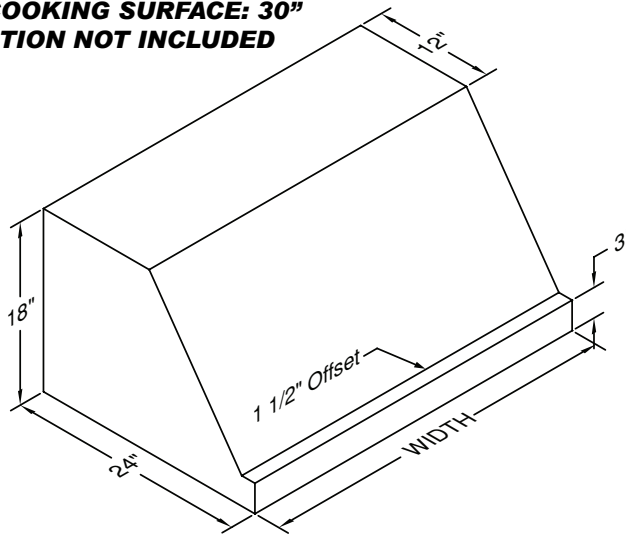
MODEL NO.	WIDTH	PAINTED	STAINLESS	OVERLAY	CLG.
WDC-30	30"	580	686	844	8'
WDC-30/24	30"	765	963	1293	9'
WDC-30/36	30"	937	1254	1729	10'
WDC-36	36"	620	739	937	8'
WDC-36/24	36"	831	1082	1465	9'
WDC-36/36	36"	1056	1425	1993	10'
WDC-42	42"	660	805	1016	8'
WDC-42/24	42"	910	1201	1636	9'
WDC-42/36	42"	1161	1597	2257	10'
WDC-48	48"	686	858	1108	8'
WDC-48/24	48"	976	1306	1821	9'
WDC-48/36	48"	1267	1755	2521	10'
WDC-54	54"	726	910	1201	8'
WDC-60	60"	765	963	1293	8'
WDC-66	66"	805	1029	1372	8'

DAH18 WALL MOUNT HOOD VARIATIONS

WIDTHS OVER 66"	PAINTED	STAINLESS	OVERLAY	CONCAVE END (REDUCES TOP WIDTH BY 6" EACH)
FOR EACH 6" INCREMENT	184	264	330	PER END, ADD 409
PLUS		238		SPECIAL BLOWER LOCATION
SPECIAL WIDTH (LESS THAN 66")				LEFT TO RIGHT, SPECIFY COLLAR CENTERLINE
USE NEXT LARGEST SIZE ON PRICE LIST,				ADD 238
PLUS		238		SPECIAL DECK (9" MINIMUM, 18" STANDARD)
SPECIAL HEIGHT (BETWEEN 9" & 18")				ADD 238
USE STANDARD 18" PRICE,				STAINLESS STEEL INTERIOR ON OVERLAY HOOD
PLUS		409		SUBTRACT PAINTED PRICE OF HOOD FROM STAINLESS PRICE OF HOOD
DEPTH LESS THAN 24"				ADDITIONAL BLOWERS & LIGHTS
ADD		409		SEE PAGE 86 FOR BLOWER OPTIONS
DEPTH OVER 24"				REMOTE BLOWER OPTIONS
WIDTH x EXTRA DEPTH x	PAINTED	STAINLESS	OVERLAY	SEE PAGES 86-87 FOR REMOTE BLOWER OPTIONS
PLUS	1.17	1.74	2.36	CUSTOM COLOR (SEE CUSTOM COLOR CHART)
SLOPE, LIP, OFFSET, OR TOP VARIATION				ADD 720
PER VARIATION, ADD		409		TRIM OPTIONS
CLIPPED CORNER				SEE PAGES 92-93 FOR FINISH AND TRIM OPTIONS
PER CORNER, ADD		409		WARMING LAMPS AND SHELVES
				SEE PAGES 89 FOR WARMING LAMP AND SHELF OPTIONS

PWVH18 WALL MOUNT RANGE HOOD

RECOMMENDED MOUNTING HEIGHT FROM COOKING SURFACE: 30" TRANSITION NOT INCLUDED



MODEL NO.	WIDTH	PAINTED	STAINLESS	OVERLAY*	#LTS
WITH SINGLE BLOWER (300 CFM)					
PWVH18-130	30"	1981	2540	3434	2
PWVH18-136	36"	2020	2581	3554	2
PWVH18-142	42"	2214	2748	3854	3
PWVH18-148	48"	2307	2869	4014	3
WITH DUAL BLOWER (600 CFM)					
PWVH18-230	30"	2365	2960	3818	2
PWVH18-236	36"	2404	3001	3938	2
PWVH18-242	42"	2598	3168	4238	3
PWVH18-248	48"	2691	3289	4398	3
PWVH18-254	54"	3031	3777	5031	4
WITH DUAL & SINGLE BLOWERS (900 CFM)					
PWVH18-342	42"	3006	3672	4646	3
PWVH18-348	48"	3099	3793	4806	3
PWVH18-354	54"	3439	4281	5439	4
PWVH18-360	60"	3666	4590	5826	4
WITH TWO DUAL BLOWERS (1200 CFM)					
PWVH18-448	48"	3483	4213	5190	3
PWVH18-454	54"	3823	4701	5823	4
PWVH18-460	60"	4050	5010	6210	4
PWVH18-466	66"	4196	5198	6517	4

*FOR OVERLAY HOODS, SPECIFY INTERIOR COLOR

**USE VP562 TRANSITION (OPTIONAL) ON 900 CFM MODELS TO COMBINE OUTLETS INTO A SINGLE 10" DUCT.
USE VP563 TRANSITION (OPTIONAL) ON 1200 CFM MODELS TO COMBINE OUTLETS INTO A SINGLE 12" DUCT.**

CUSTOM WALL MOUNT DUCT COVERS

	PAINTED	STAINLESS	OVERLAY
WIDTH x HEIGHT x PLUS	0.50	0.79	1.23
		409	

ANY WDC SS DUCT COVER MORE THAN 43" TALL WILL HAVE A VERTICAL GRAIN DIRECTION. CUSTOM SIZES MAY BE LIMITED BY RAW MATERIAL SIZE. CONTACT FACTORY FOR FURTHER DETAILS.

FINISHED TOP

	PAINTED	STAINLESS	OVERLAY
WIDTH x DEPTH x PLUS	0.50	0.79	1.23
		238	

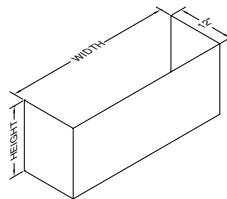
REMOVABLE FRONT PANEL

ADD	238
-----	-----

SLOPED TOP ON DUCT COVER

ADD	409
-----	-----

SPECIFY FRONT TO BACK OR LEFT TO RIGHT DIMENSIONS.



MODEL NO.	WIDTH	PAINTED	STAINLESS	OVERLAY	CLG.
WDC-30	30"	580	686	844	8'
WDC-30/24	30"	765	963	1293	9'
WDC-30/36	30"	937	1254	1729	10'
WDC-36	36"	620	739	937	8'
WDC-36/24	36"	831	1082	1465	9'
WDC-36/36	36"	1056	1425	1993	10'
WDC-42	42"	660	805	1016	8'
WDC-42/24	42"	910	1201	1636	9'
WDC-42/36	42"	1161	1597	2257	10'
WDC-48	48"	686	858	1108	8'
WDC-48/24	48"	976	1306	1821	9'
WDC-48/36	48"	1267	1755	2521	10'
WDC-54	54"	726	910	1201	8'
WDC-60	60"	765	963	1293	8'
WDC-66	66"	805	1029	1372	8'

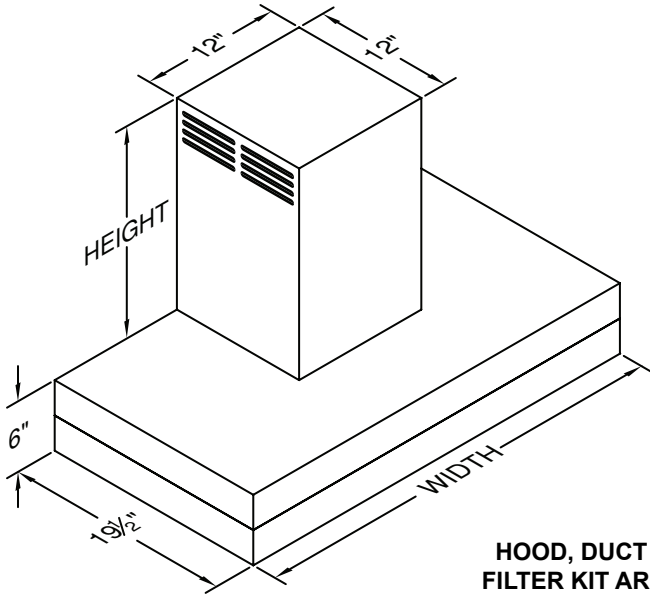
PWVH18 WALL MOUNT HOOD VARIATIONS

WIDTHS OVER 66"				SLOPED END (REDUCES TOP WIDTH BY 6" EACH)
	PAINTED	STAINLESS	OVERLAY	PER END, ADD 409
FOR EACH 6" INCREMENT	184	264	330	
PLUS		238		SPECIAL BLOWER LOCATION
				LEFT TO RIGHT, SPECIFY COLLAR CENTERLINE
SPECIAL WIDTH (LESS THAN 66")				ADD 238
USE NEXT LARGEST SIZE ON PRICE LIST,				SPECIAL DECK (9" MINIMUM, 18" STANDARD)
PLUS		238		ADD 238
SPECIAL HEIGHT (BETWEEN 9" & 18")				STAINLESS STEEL INTERIOR ON OVERLAY HOOD
USE STANDARD 18" PRICE,				SUBTRACT PAINTED PRICE OF HOOD FROM STAINLESS PRICE OF HOOD
PLUS		409		ADDITIONAL BLOWERS & LIGHTS
DEPTH LESS THAN 24"				SEE PAGE 86 FOR BLOWER OPTIONS
ADD		409		REMOTE BLOWER OPTIONS
DEPTH OVER 24"				SEE PAGES 86-87 FOR REMOTE BLOWER OPTIONS
	PAINTED	STAINLESS	OVERLAY	CUSTOM COLOR (SEE CUSTOM COLOR CHART)
WIDTH x EXTRA DEPTH x	1.17	1.74	2.36	ADD 720
PLUS		409		TRIM OPTIONS
SLOPE, LIP, OFFSET, OR TOP VARIATION				SEE PAGES 92-93 FOR FINISH AND TRIM OPTIONS
PER VARIATION, ADD		409		WARMING LAMPS AND SHELVES
CLIPPED CORNER				SEE PAGES 89 FOR WARMING LAMP AND SHELF OPTIONS
PER CORNER, ADD		409		

CWEAH6-K ARS/DUCT-FREE RANGE HOOD

**RECOMMENDED MOUNTING HEIGHT
FROM COOKING SURFACE: 24"**

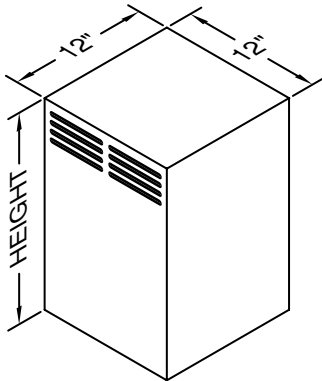
MODEL NO.	WIDTH	PAINTED	STAINLESS	#LTS
CWEAH6-K30	30"	945	1197	2
CWEAH6-K36	36"	945	1197	2
CWEAH6-K42	42"	1096	1399	3
CWEAH6-K48	48"	1147	1435	3



**SHOWN WITH MATCHING DUCT
COVER AND ARS FILTER KIT
(SOLD SEPARATELY)**

**DUCT COVER HAS A
REMOVABLE FRONT PANEL
AND A FINISHED TOP**

**HOOD, DUCT COVER, AND ARS
FILTER KIT ARE EACH REQUIRED
FOR ONE APPLICATION**



**DUCT COVER HAS A
REMOVABLE FRONT PANEL
AND A FINISHED TOP**

MODEL NO.	WIDTH	PAINTED	STAINLESS	CLG.
WDCA-12/18	12"	673	726	7'
WDCA-12/30	12"	739	831	8'
WDCA-12/42	12"	805	924	9'

MODEL NO.	DESCRIPTION	PRICE
ARS-12	ARS Filter Assembly for WDCA-12	999

MODEL NO.	DESCRIPTION	PRICE
PARS-12	12" x 12" Replacement H.E. Filter Assembly	330
PARS-C	Replacement Activated Carbon Pellets - 1 Gallon	66

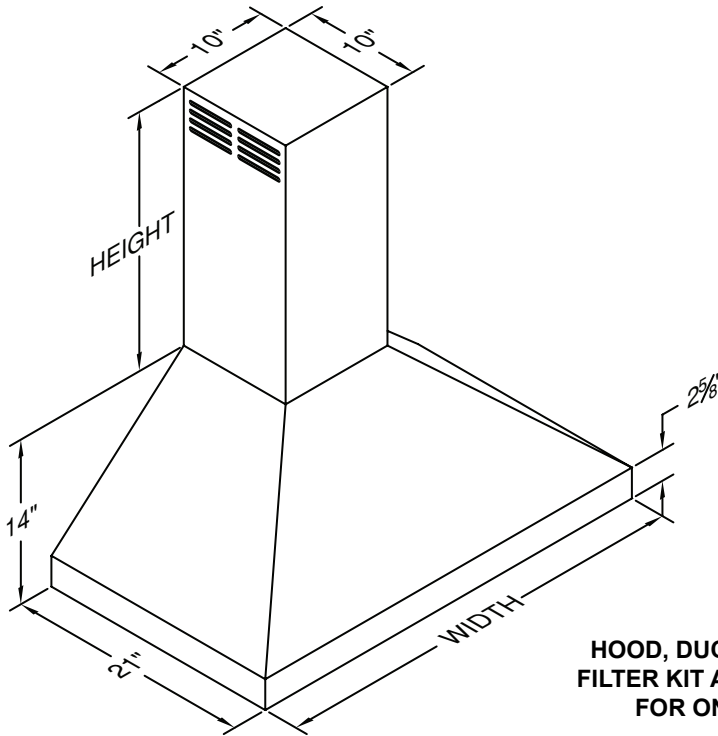
THE H.E. FILTER ASSEMBLY AND ACTIVATED CARBON MEDIA SHOULD BE CHANGED AS NEEDED BASED ON USAGE.

PDAH14-K ARSIDUCT-FREE RANGE HOOD

**RECOMMENDED MOUNTING HEIGHT
FROM COOKING SURFACE: 24"**

MODEL NO.	WIDTH	PAINTED	STAINLESS	OVERLAY*	#LTS
PDAH14-K30	30"	1184	1599	2356	2
PDAH14-K36	36"	1209	1599	2444	2
PDAH14-K42	42"	1272	1798	2671	3
PDAH14-K48	48"	1332	1864	2810	3

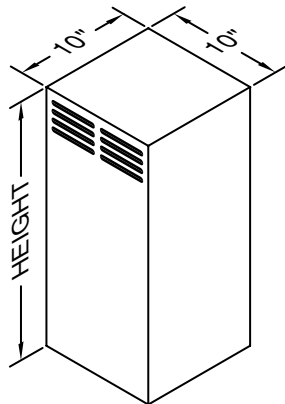
*FOR OVERLAY HOODS, SPECIFY INTERIOR COLOR



**SHOWN WITH MATCHING DUCT
COVER AND ARS FILTER KIT
(SOLD SEPARATELY)**

**DUCT COVER HAS A
REMOVABLE FRONT PANEL
AND A FINISHED TOP**

**HOOD, DUCT COVER, AND ARS
FILTER KIT ARE EACH REQUIRED
FOR ONE APPLICATION**



**DUCT COVER HAS A
REMOVABLE FRONT PANEL
AND A FINISHED TOP**

MODEL NO.	WIDTH	PAINTED	STAINLESS	OVERLAY	CLG.
WDCA-10/22	10"	673	739	818	8'
WDCA-10/34	10"	726	818	950	9'

MODEL NO.	DESCRIPTION	PRICE
ARS-10	ARS Filter Assembly for WDCA-10	999

MODEL NO.	DESCRIPTION	PRICE
PARS-10	10" x 10" Replacement H.E. Filter Assembly	330
PARS-C	Replacement Activated Carbon Pellets - 1 Gallon	66

THE H.E. FILTER ASSEMBLY AND ACTIVATED CARBON MEDIA SHOULD BE CHANGED AS NEEDED BASED ON USAGE.

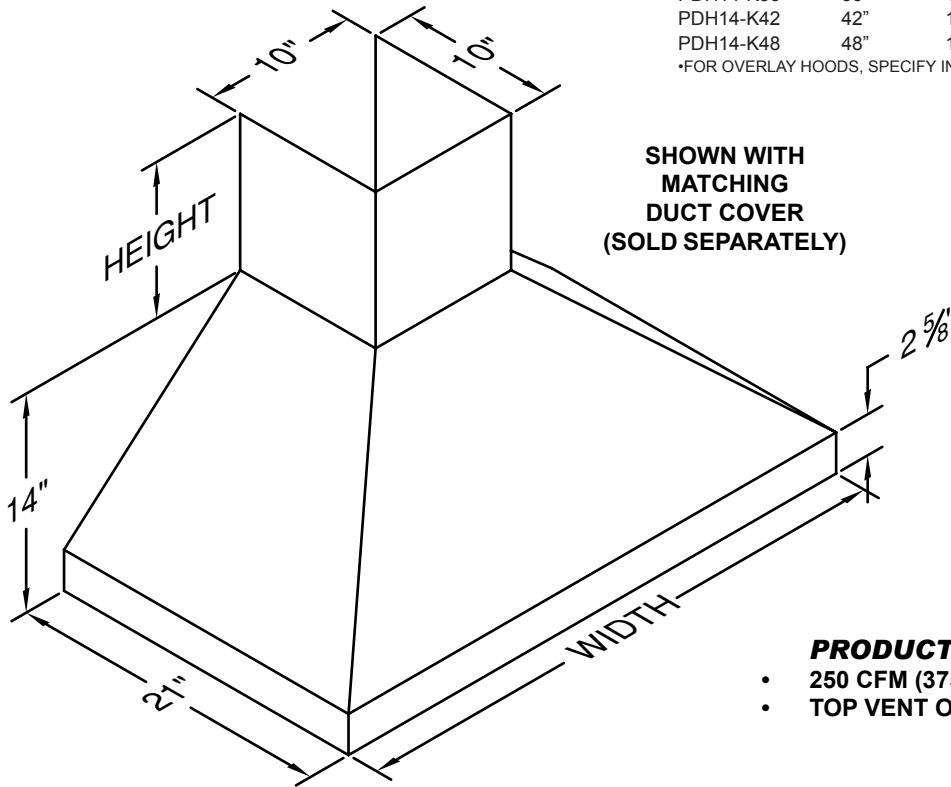
THIS PAGE INTENTIONALLY LEFT BLANK.

PDH14-K EURO-STYLE WALL MOUNT RANGE HOOD

RECOMMENDED MOUNTING HEIGHT FROM COOKING SURFACE: 24"

MODEL NO.	WIDTH	PAINTED	STAINLESS	OVERLAY*	#LTS	INCL.
WITH SINGLE BLOWER (250 CFM)						
PDH14-K30	30"	1184	1499	2356	2	VP521
PDH14-K36	36"	1209	1549	2444	2	VP521
PDH14-K42	42"	1272	1798	2671	3	VP521
PDH14-K48	48"	1332	1864	2810	3	VP521

*FOR OVERLAY HOODS, SPECIFY INTERIOR COLOR



- PRODUCT FEATURES**
- 250 CFM (375 EQUIVALENT)
 - TOP VENT ONLY

STANDARD DUCT COVERS

MODEL NO.	WIDTH	PAINTED	STAINLESS	OVERLAY	CLG.
WDC-10/10	10"	448	488	528	7'
WDC-10/22	10"	514	580	673	8'
WDC-10/34	10"	580	673	818	9'

CUSTOM WALL MOUNT DUCT COVERS

	PAINTED	STAINLESS	OVERLAY
WIDTH x HEIGHT x PLUS	0.50	0.79	1.23
PLUS		409	

ANY WDC-10 SS DUCT COVER MORE THAN 45" TALL WILL HAVE A VERTICAL GRAIN DIRECTION.

FINISHED TOP

	PAINTED	STAINLESS	OVERLAY
WIDTH x DEPTH x PLUS	0.50	0.79	1.23
PLUS		238	

SLOPED TOP ON DUCT COVER

ADD	409
-----	-----

SPECIFY FRONT TO BACK OR LEFT TO RIGHT DIMENSIONS.

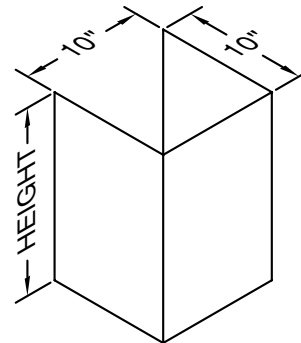
REMOVABLE PANEL DUCT COVERS

MODEL NO.	WIDTH	PAINTED	STAINLESS	OVERLAY	CLG.
WDCR-10/10	10"	580	607	646	7'
WDCR-10/22	10"	633	699	792	8'
WDCR-10/34	10"	699	792	937	9'
WDCR-10/43			880		10'

CUSTOM WALL MOUNT DUCT COVERS

	PAINTED	STAINLESS	OVERLAY
WIDTH x HEIGHT x PLUS	0.50	0.79	1.23
PLUS		541	

ANY WDCR-10 SS DUCT COVER MORE THAN 45" TALL WILL HAVE A VERTICAL GRAIN DIRECTION.



PDH14-K EURO-STYLE WALL MOUNT HOOD VARIATIONS

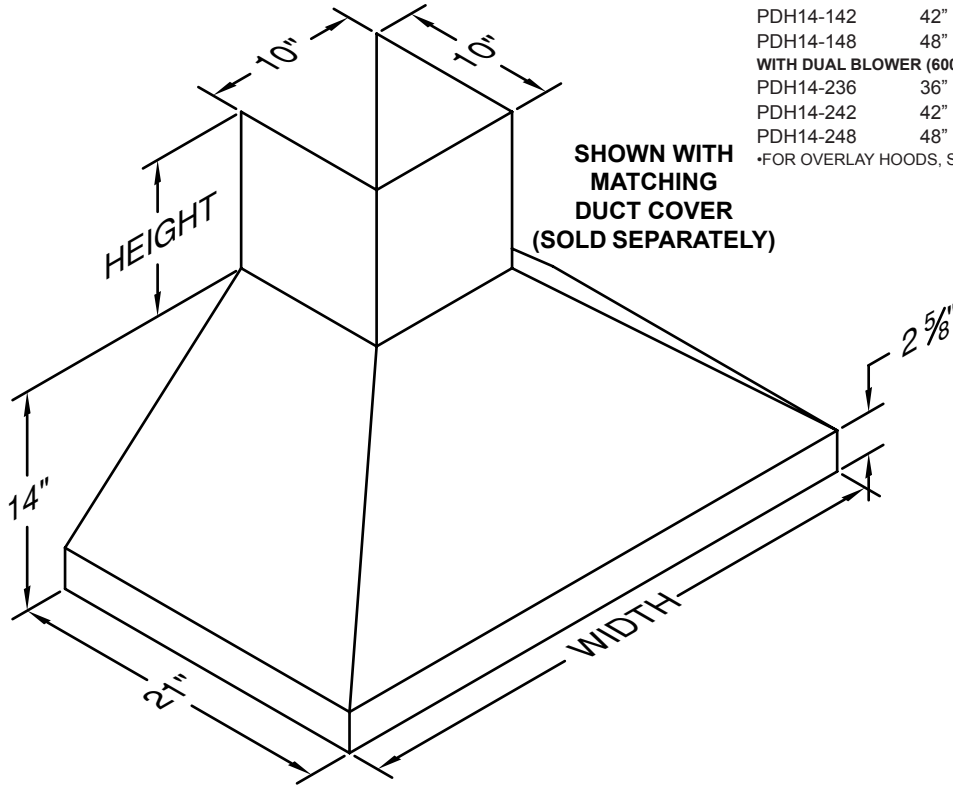
SPECIAL WIDTH (LESS THAN 48") USE NEXT LARGEST SIZE ON PRICE LIST, PLUS	238			STAINLESS STEEL INTERIOR ON OVERLAY HOOD SUBTRACT PAINTED PRICE OF HOOD FROM STAINLESS PRICE OF HOOD
	DEPTH OVER 21"			CUSTOM COLOR (SEE CUSTOM COLOR CHART) ADD
WIDTH x EXTRA DEPTH x PLUS	PAINTED	STAINLESS	OVERLAY	720
	1.17	1.74	2.36	TRIM OPTIONS SEE PAGES 92-93 FOR FINISH AND TRIM OPTIONS
			409	

PDH14 EURO-STYLE WALL MOUNT RANGE HOOD

**RECOMMENDED MOUNTING HEIGHT
FROM COOKING SURFACE: 24" OR 27"**

MODEL NO.	WIDTH	PAINTED	STAINLESS	OVERLAY*	#LTS
WITH SINGLE BLOWER (300 CFM)					
PDH14-130	30"	1650	2099	3381	2
PDH14-136	36"	1688	2199	3524	2
PDH14-142	42"	1878	2512	3870	3
PDH14-148	48"	1954	2604	4064	3
WITH DUAL BLOWER (600 CFM)					
PDH14-236	36"	2072	2599	3908	2
PDH14-242	42"	2262	2899	4254	3
PDH14-248	48"	2338	2999	4448	3

*FOR OVERLAY HOODS, SPECIFY INTERIOR COLOR



STANDARD DUCT COVERS

MODEL NO.	WIDTH	PAINTED	STAINLESS	OVERLAY	CLG.
WDC-10/10	10"	448	488	528	7'
WDC-10/22 (10/19)	10"	514 (504)	580 (559)	673	8'
WDC-10/34 (10/31)	10"	580 (564)	673 (654)	818	9'

CUSTOM WALL MOUNT DUCT COVERS

	PAINTED	STAINLESS	OVERLAY
WIDTH x HEIGHT x PLUS	0.50	0.79	1.23
PLUS		409	

ANY WDC-10 SS DUCT COVER MORE THAN 45" TALL WILL HAVE A VERTICAL GRAIN DIRECTION.

FINISHED TOP

	PAINTED	STAINLESS	OVERLAY
WIDTH x DEPTH x PLUS	0.50	0.79	1.23
PLUS		238	

SLOPED TOP ON DUCT COVER

ADD	409
-----	-----

SPECIFY FRONT TO BACK OR LEFT TO RIGHT DIMENSIONS.

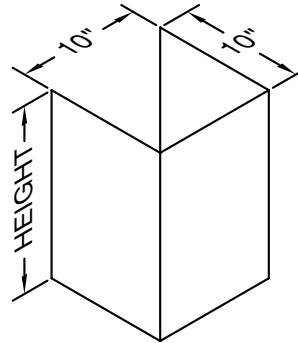
REMOVABLE PANEL DUCT COVERS

MODEL NO.	WIDTH	PAINTED	STAINLESS	OVERLAY	CLG.
WDCR-10/10	10"	580	607	646	7'
WDCR-10/22 (10/19)	10"	633 (633)	699 (691)	792	8'
WDCR-10/34 (10/31)	10"	699 (699)	792 (786)	937	9'
WDCR-10/43			880		10'

CUSTOM WALL MOUNT DUCT COVERS

	PAINTED	STAINLESS	OVERLAY
WIDTH x HEIGHT x PLUS	0.50	0.79	1.23
PLUS		541	

ANY WDCR-10 SS DUCT COVER MORE THAN 45" TALL WILL HAVE A VERTICAL GRAIN DIRECTION.



PDH14 EURO-STYLE WALL MOUNT HOOD VARIATIONS

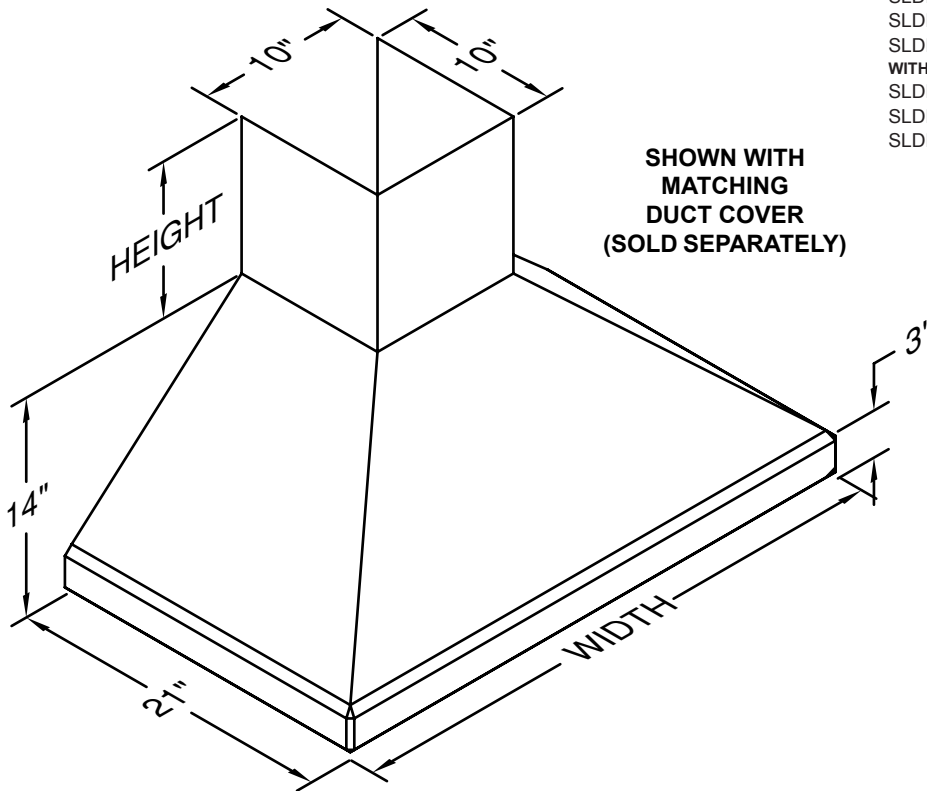
SPECIAL WIDTH (LESS THAN 48") USE NEXT LARGEST SIZE ON PRICE LIST, PLUS			238
DEPTH OVER 21"			
WIDTH x EXTRA DEPTH x PLUS	1.17	1.74	2.36
PLUS		409	

STAINLESS STEEL INTERIOR ON OVERLAY HOOD SUBTRACT PAINTED PRICE OF HOOD FROM STAINLESS PRICE OF HOOD	
CUSTOM COLOR (SEE CUSTOM COLOR CHART) ADD	720
TRIM OPTIONS SEE PAGES 92-93 FOR FINISH AND TRIM OPTIONS	

SLDH14 EURO-STYLE WALL MOUNT RANGE HOOD

**RECOMMENDED MOUNTING HEIGHT
FROM COOKING SURFACE: 24" OR 27"**

MODEL NO.	WIDTH	PAINTED	STAINLESS	#LTS
WITH SINGLE BLOWER (300 CFM)				
SLDH14-130	30"	2078	2599	2
SLDH14-136	36"	2118	2769	2
SLDH14-142	42"	2377	3056	3
SLDH14-148	48"	2470	3163	3
WITH DUAL BLOWER (600 CFM)				
SLDH14-236	36"	2502	2999	2
SLDH14-242	42"	2761	3476	3
SLDH14-248	48"	2854	3583	3



STANDARD DUCT COVERS

MODEL NO.	WIDTH	PAINTED	STAINLESS	CLG.
WDC-10/10	10"	448	488	7'
WDC-10/22	10"	514	580	8'
WDC-10/34	10"	580	673	9'

CUSTOM WALL MOUNT DUCT COVERS

	PAINTED	STAINLESS
WIDTH x HEIGHT x	0.50	0.79
PLUS		409

ANY WDC-10 SS DUCT COVER MORE THAN 45" TALL WILL HAVE A VERTICAL GRAIN DIRECTION.

FINISHED TOP

	PAINTED	STAINLESS
WIDTH x DEPTH x	0.50	0.79
PLUS		238

SLOPED TOP ON DUCT COVER

ADD 409

SPECIFY FRONT TO BACK OR LEFT TO RIGHT DIMENSIONS.

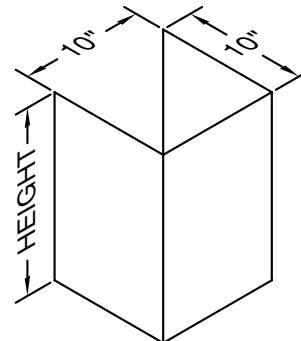
REMOVABLE PANEL DUCT COVERS

MODEL NO.	WIDTH	PAINTED	STAINLESS	CLG.
WDCR-10/10	10"	580	607	7'
WDCR-10/22	10"	633	699	8'
WDCR-10/34	10"	699	792	9'
WDCR-10/43			880	10'

CUSTOM WALL MOUNT DUCT COVERS

	PAINTED	STAINLESS
WIDTH x HEIGHT x	0.50	0.79
PLUS		541

ANY WDCR-10 SS DUCT COVER MORE THAN 45" TALL WILL HAVE A VERTICAL GRAIN DIRECTION.



SLDH14 EURO-STYLE WALL MOUNT HOOD VARIATIONS

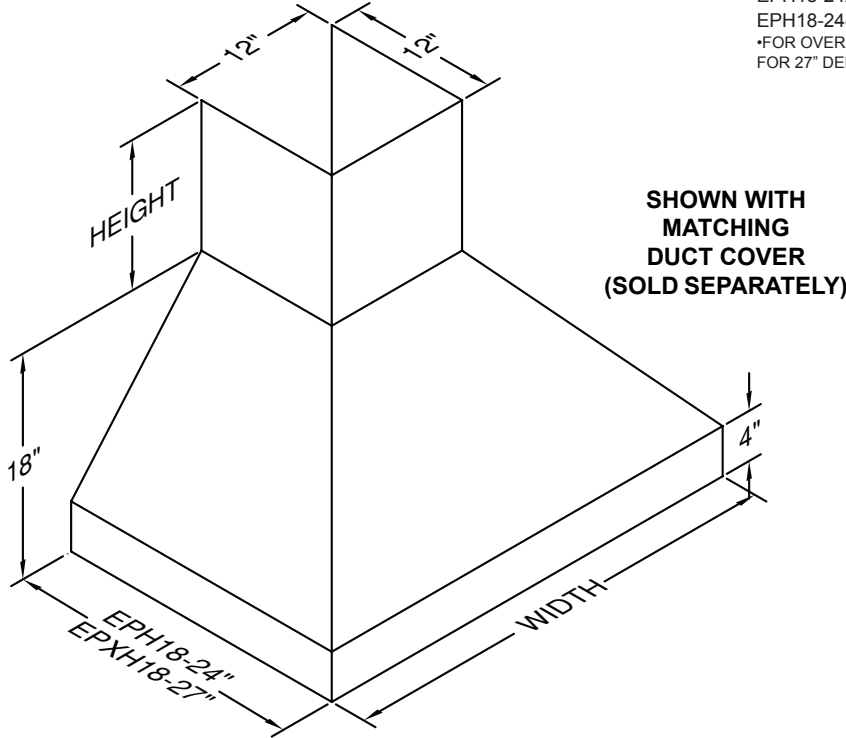
SPECIAL WIDTH (LESS THAN 48") USE NEXT LARGEST SIZE ON PRICE LIST, PLUS 238	DEPTH OVER 21"	
	WIDTH x EXTRA DEPTH x PLUS	PAINTED 1.17 STAINLESS 1.74 409
CUSTOM COLOR (SEE CUSTOM COLOR CHART) ADD 720	TRIM OPTIONS SEE PAGES 92-93 FOR FINISH AND TRIM OPTIONS	

EPH18 EURO-STYLE WALL MOUNT RANGE HOOD

**RECOMMENDED MOUNTING HEIGHT
FROM COOKING SURFACE: 30"
27" DEEP MODEL - EPXH18**

MODEL NO.	WIDTH	PAINTED	STAINLESS	OVERLAY*	#LTS
WITH DUAL BLOWER (600 CFM)					
EPH18-236	36"	2542	2999	4472	2
EPH18-242	42"	2719	3299	4779	3
EPH18-248	48"	2894	3598	5157	3

*FOR OVERLAY HOODS, SPECIFY INTERIOR COLOR
FOR 27" DEEP MODEL, ORDER EPXH18 (NO ADDITIONAL COST)



STANDARD DUCT COVERS

MODEL NO.	WIDTH	PAINTED	STAINLESS	OVERLAY	CLG.
WDC-12/12	12"	475	514	580	8'
WDC-12/24	12"	541	633	752	9'
WDC-12/36	12"	620	739	937	10'

CUSTOM WALL MOUNT DUCT COVERS

	PAINTED	STAINLESS	OVERLAY
WIDTH x HEIGHT x PLUS	0.50	0.79	1.23
		409	

ANY WDC-12 SS DUCT COVER MORE THAN 45" TALL WILL HAVE A VERTICAL GRAIN DIRECTION.

FINISHED TOP

	PAINTED	STAINLESS	OVERLAY
WIDTH x DEPTH x PLUS	0.50	0.79	1.23
		238	

SLOPED TOP ON DUCT COVER

ADD	409
-----	-----

SPECIFY FRONT TO BACK OR LEFT TO RIGHT DIMENSIONS.

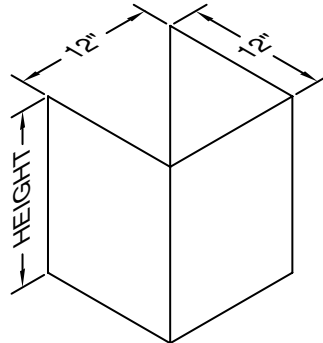
REMOVABLE PANEL DUCT COVERS

MODEL NO.	WIDTH	PAINTED	STAINLESS	OVERLAY	CLG.
WDCR-12/12	12"	594	633	699	8'
WDCR-12/24	12"	673	752	884	9'
WDCR-12/36	12"	739	871	1056	10'

CUSTOM WALL MOUNT DUCT COVERS

	PAINTED	STAINLESS	OVERLAY
WIDTH x HEIGHT x PLUS	0.50	0.79	1.23
		541	

ANY WDCR-12 SS DUCT COVER MORE THAN 45" TALL WILL HAVE A VERTICAL GRAIN DIRECTION.



EPH18 EURO-STYLE WALL MOUNT HOOD VARIATIONS

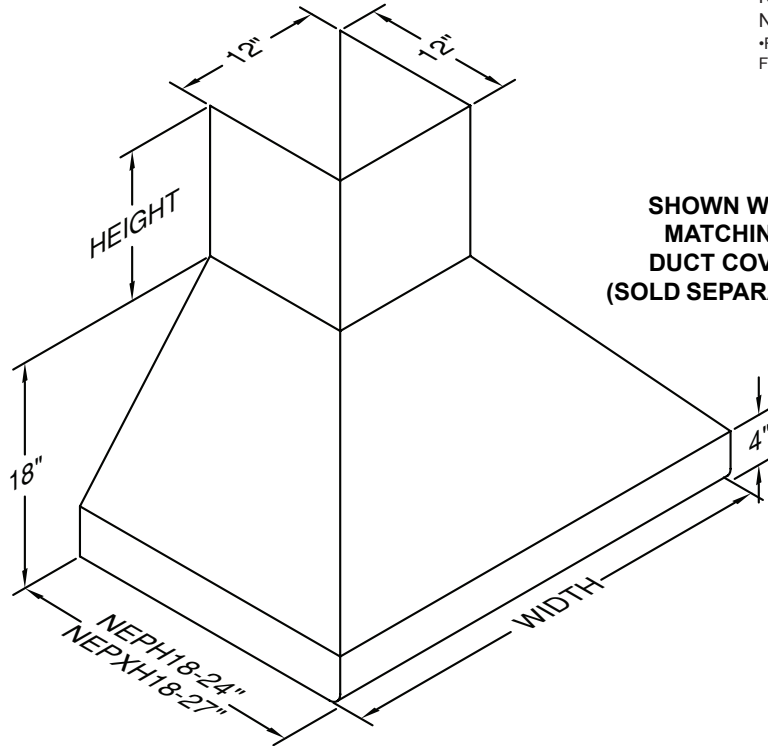
WIDTHS OVER 48"	PAINTED	STAINLESS	OVERLAY	DEPTH OVER 24" (EXCLUDING 27")	PAINTED	STAINLESS	OVERLAY
FOR EACH 6" INCREMENT	184	264	330	WIDTH x EXTRA DEPTH x PLUS	1.17	1.74	2.36
		238				409	
SPECIAL WIDTH (LESS THAN 48") USE NEXT LARGEST SIZE ON PRICE LIST, PLUS		238		CUSTOM COLOR (SEE CUSTOM COLOR CHART) ADD		720	
STAINLESS STEEL INTERIOR ON OVERLAY HOOD SUBTRACT PAINTED PRICE OF HOOD FROM STAINLESS PRICE OF HOOD				TRIM OPTIONS SEE PAGES 92-93 FOR FINISH AND TRIM OPTIONS			

NEPH18 EURO-STYLE WALL MOUNT RANGE HOOD

**RECOMMENDED MOUNTING HEIGHT
FROM COOKING SURFACE: 30"
27" DEEP MODEL - NEPXH18**

MODEL NO.	WIDTH	PAINTED	STAINLESS	OVERLAY*	#LTS
WITH DUAL BLOWER (600 CFM)					
NEPH18-236	36"	2906	3524	4332	2
NEPH18-242	42"	3013	3734	5299	3
NEPH18-248	48"	3195	3883	5366	3

*FOR OVERLAY HOODS, SPECIFY INTERIOR COLOR
FOR 27" DEEP MODEL, ORDER NEPXH18 (NO ADDITIONAL COST)



SHOWN WITH
MATCHING
DUCT COVER
(SOLD SEPARATELY)

STANDARD DUCT COVERS

MODEL NO.	WIDTH	PAINTED	STAINLESS	OVERLAY	CLG.
WDC-12/12	12"	475	514	580	8'
WDC-12/24	12"	541	633	752	9'
WDC-12/36	12"	620	739	937	10'

CUSTOM WALL MOUNT DUCT COVERS

	PAINTED	STAINLESS	OVERLAY
WIDTH x HEIGHT x PLUS	0.50	0.79	1.23
		409	

ANY WDC-12 SS DUCT COVER MORE THAN 45" TALL WILL HAVE A VERTICAL GRAIN DIRECTION.

FINISHED TOP

	PAINTED	STAINLESS	OVERLAY
WIDTH x DEPTH x PLUS	0.50	0.79	1.23
		238	

SLOPED TOP ON DUCT COVER

ADD 409
SPECIFY FRONT TO BACK OR LEFT TO RIGHT DIMENSIONS.

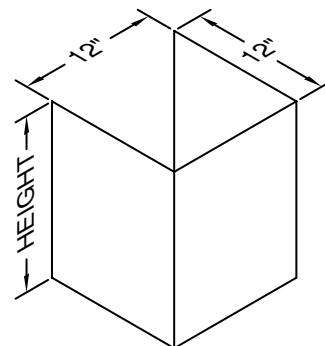
REMOVABLE PANEL DUCT COVERS

MODEL NO.	WIDTH	PAINTED	STAINLESS	OVERLAY	CLG.
WDCR-12/12	12"	594	633	699	8'
WDCR-12/24	12"	673	752	884	9'
WDCR-12/36	12"	739	871	1056	10'

CUSTOM WALL MOUNT DUCT COVERS

	PAINTED	STAINLESS	OVERLAY
WIDTH x HEIGHT x PLUS	0.50	0.79	1.23
		541	

ANY WDCR-12 SS DUCT COVER MORE THAN 45" TALL WILL HAVE A VERTICAL GRAIN DIRECTION.



NEPH18 EURO-STYLE WALL MOUNT HOOD VARIATIONS

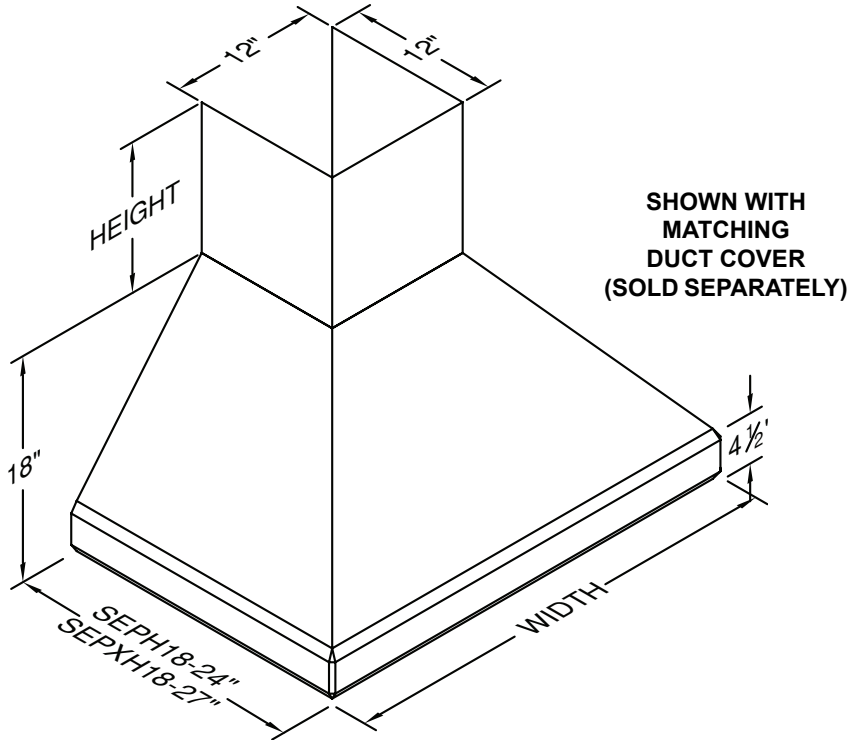
WIDTHS OVER 48"				DEPTH OVER 24" (EXCLUDING 27")			
FOR EACH 6" INCREMENT	PAINTED	STAINLESS	OVERLAY	WIDTH x EXTRA DEPTH x PLUS	PAINTED	STAINLESS	OVERLAY
	184	264	330		1.17	1.74	2.36
		238				409	
SPECIAL WIDTH (LESS THAN 48")				CUSTOM COLOR (SEE CUSTOM COLOR CHART)			
USE NEXT LARGEST SIZE ON PRICE LIST,				ADD		720	
PLUS		238		TRIM OPTIONS			
STAINLESS STEEL INTERIOR ON OVERLAY HOOD				SEE PAGES 92-93 FOR FINISH AND TRIM OPTIONS			
SUBTRACT PAINTED PRICE OF HOOD FROM STAINLESS PRICE OF HOOD							

SEPH18 EURO-STYLE WALL MOUNT RANGE HOOD

**RECOMMENDED MOUNTING HEIGHT
FROM COOKING SURFACE: 30"
27" DEEP MODEL - SEPXH18**

MODEL NO.	WIDTH	PAINTED	STAINLESS	#LTS
WITH DUAL BLOWER (600 CFM)				
SEPH18-236	36"	3025	3597	2
SEPH18-242	42"	3216	3787	3
SEPH18-248	48"	3308	3878	3

FOR 27" DEEP MODEL, ORDER SEPXH18 (NO ADDITIONAL COST)



SHOWN WITH
MATCHING
DUCT COVER
(SOLD SEPARATELY)

STANDARD DUCT COVERS

MODEL NO.	WIDTH	PAINTED	STAINLESS	CLG.
WDC-12/12	12"	475	514	8'
WDC-12/24	12"	541	633	9'
WDC-12/36	12"	620	739	10'

CUSTOM WALL MOUNT DUCT COVERS

	PAINTED	STAINLESS
WIDTH x HEIGHT x PLUS	0.50	409

ANY WDC-12 SS DUCT COVER MORE THAN 45" TALL WILL HAVE A VERTICAL GRAIN DIRECTION.

FINISHED TOP

	PAINTED	STAINLESS
WIDTH x DEPTH x PLUS	0.50	238

SLOPED TOP ON DUCT COVER

ADD	409
-----	-----

SPECIFY FRONT TO BACK OR LEFT TO RIGHT DIMENSIONS.

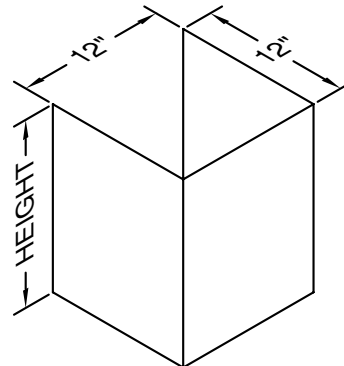
REMOVABLE PANEL DUCT COVERS

MODEL NO.	WIDTH	PAINTED	STAINLESS	CLG.
WDCR-12/12	12"	594	633	8'
WDCR-12/24	12"	673	752	9'
WDCR-12/36	12"	739	871	10'

CUSTOM WALL MOUNT DUCT COVERS

	PAINTED	STAINLESS
WIDTH x HEIGHT x PLUS	0.50	541

ANY WDCR-12 SS DUCT COVER MORE THAN 45" TALL WILL HAVE A VERTICAL GRAIN DIRECTION.



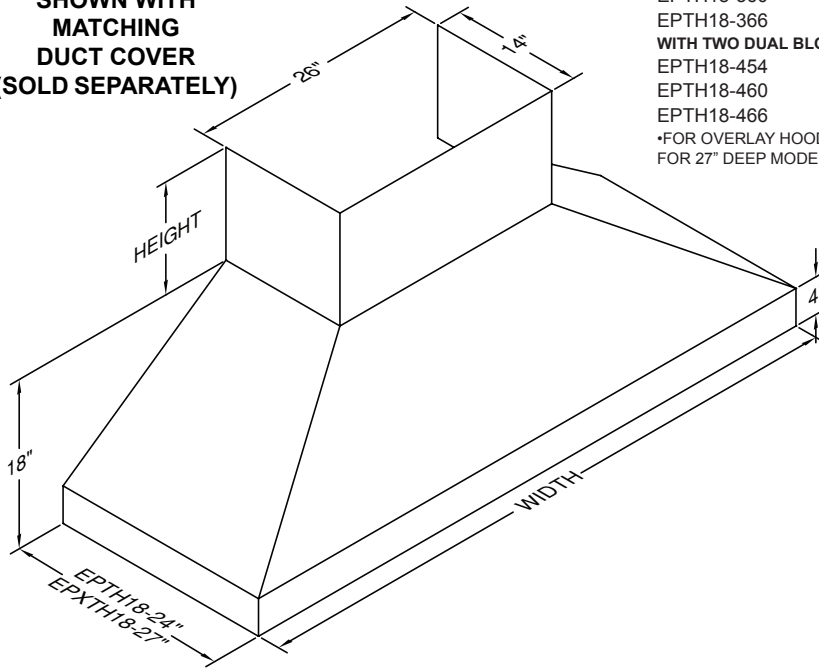
SEPH18 EURO-STYLE WALL MOUNT HOOD VARIATIONS

WIDTHS OVER 48"			DEPTH OVER 24" (EXCLUDING 27")		
	PAINTED	STAINLESS		PAINTED	STAINLESS
FOR EACH 6" INCREMENT	184	264	WIDTH x EXTRA DEPTH x PLUS	1.17	1.74
PLUS	238			409	
SPECIAL WIDTH (LESS THAN 48")			CUSTOM COLOR (SEE CUSTOM COLOR CHART)	720	
USE NEXT LARGEST SIZE ON PRICE LIST,			TRIM OPTIONS		
PLUS	238		SEE PAGES 92-93 FOR FINISH AND TRIM OPTIONS		

EPTH18 EURO-STYLE WALL MOUNT RANGE HOOD

RECOMMENDED MOUNTING HEIGHT FROM COOKING SURFACE: 30"
TRANSITION INCLUDED IN HOOD 27" DEEP MODEL - EPXTH18

SHOWN WITH MATCHING DUCT COVER (SOLD SEPARATELY)



MODEL NO.	WIDTH	PAINTED	STAINLESS	OVERLAY*	#LTS	INCL.
WITH DUAL & SINGLE BLOWERS (900 CFM)						
EPTH18-342	42"	3914	4675	6084	3	VP562
EPTH18-348	48"	4010	4599	6288	3	VP562
EPTH18-354	54"	4395	5472	6921	4	VP562
EPTH18-360	60"	4572	5718	7248	4	VP562
EPTH18-366	66"	4734	5976	7575	4	VP562
WITH TWO DUAL BLOWERS (1200 CFM)						
EPTH18-454	54"	4779	5892	7305	4	VP563
EPTH18-460	60"	4956	6138	7632	4	VP563
EPTH18-466	66"	5118	6396	7959	4	VP563

*FOR OVERLAY HOODS, SPECIFY INTERIOR COLOR
 FOR 27" DEEP MODEL, ORDER EPXTH18 (NO ADDITIONAL COST)

STANDARD DUCT COVERS

MODEL NO.	WIDTH	PAINTED	STAINLESS	OVERLAY	CLG.
WDC-26/12	26"	554	646	792	8'
WDC-26/24	26"	712	897	1174	9'
WDC-26/36	26"	871	1135	1557	10'

CUSTOM WALL MOUNT DUCT COVERS

	PAINTED	STAINLESS	OVERLAY
WIDTH x HEIGHT x PLUS	0.50	0.79	1.23
		409	

ANY WDC-26 SS DUCT COVER MORE THAN 45" TALL WILL HAVE A VERTICAL GRAIN DIRECTION.

FINISHED TOP

	PAINTED	STAINLESS	OVERLAY
WIDTH x DEPTH x PLUS	0.50	0.79	1.23
		238	

SLOPED TOP ON DUCT COVER

ADD 409
 SPECIFY FRONT TO BACK OR LEFT TO RIGHT DIMENSIONS.

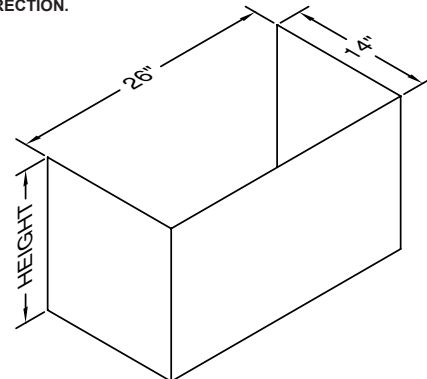
REMOVABLE PANEL DUCT COVERS

MODEL NO.	WIDTH	PAINTED	STAINLESS	OVERLAY	CLG.
WDCR-26/12	26"	686	765	910	8'
WDCR-26/24	26"	844	1016	1293	9'
WDCR-26/36	26"	990	1254	1676	10'

CUSTOM WALL MOUNT DUCT COVERS

	PAINTED	STAINLESS	OVERLAY
WIDTH x HEIGHT x PLUS	0.50	0.79	1.23
		541	

ANY WDCR-26 SS DUCT COVER MORE THAN 45" TALL WILL HAVE A VERTICAL GRAIN DIRECTION.



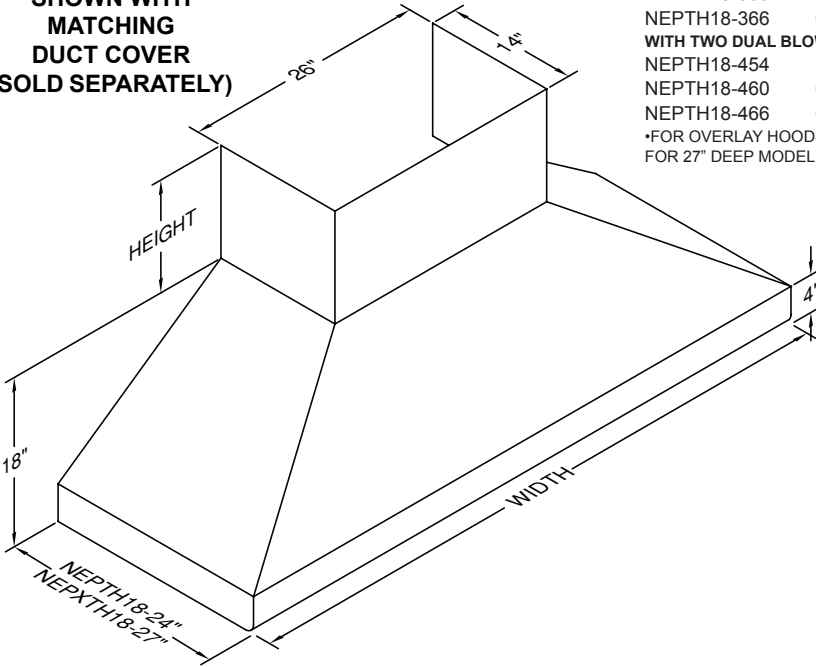
EPTH18 EURO-STYLE WALL MOUNT HOOD VARIATIONS

WIDTHS OVER 66"	PAINTED	STAINLESS	OVERLAY	DEPTH OVER 24" (EXCLUDING 27")	PAINTED	STAINLESS	OVERLAY
FOR EACH 6" INCREMENT	184	264	330	WIDTH x EXTRA DEPTH x PLUS	1.17	1.74	2.36
		238				409	
SPECIAL WIDTH (LESS THAN 66")				CUSTOM COLOR (SEE CUSTOM COLOR CHART)			
USE NEXT LARGEST SIZE ON PRICE LIST,				ADD	720		
PLUS	238			TRIM OPTIONS			
STAINLESS STEEL INTERIOR ON OVERLAY HOOD				SEE PAGES 92-93 FOR FINISH AND TRIM OPTIONS			
SUBTRACT PAINTED PRICE OF HOOD FROM STAINLESS PRICE OF HOOD							

NEPTH18 EURO-STYLE WALL MOUNT RANGE HOOD

RECOMMENDED MOUNTING HEIGHT FROM COOKING SURFACE: 30"
TRANSITION INCLUDED IN HOOD 27" DEEP MODEL - NEPXTH18

SHOWN WITH MATCHING DUCT COVER (SOLD SEPARATELY)



MODEL NO.	WIDTH	PAINTED	STAINLESS	OVERLAY*	#LTS	INCL.
WITH DUAL & SINGLE BLOWERS (900 CFM)						
NEPTH18-342	42"	4172	5043	6343	3	VP562
NEPTH18-348	48"	4267	5139	6547	3	VP562
NEPTH18-354	54"	4652	5731	7180	4	VP562
NEPTH18-360	60"	4815	5976	7507	4	VP562
NEPTH18-366	66"	4992	6222	7834	4	VP562
WITH TWO DUAL BLOWERS (1200 CFM)						
NEPTH18-454	54"	5036	6151	7564	4	VP563
NEPTH18-460	60"	5199	6396	7891	4	VP563
NEPTH18-466	66"	5376	6642	8218	4	VP563

*FOR OVERLAY HOODS, SPECIFY INTERIOR COLOR
 FOR 27" DEEP MODEL, ORDER NEPXTH18 (NO ADDITIONAL COST)

STANDARD DUCT COVERS

MODEL NO.	WIDTH	PAINTED	STAINLESS	OVERLAY	CLG.
WDC-26/12	26"	554	646	792	8'
WDC-26/24	26"	712	897	1174	9'
WDC-26/36	26"	871	1135	1557	10'

CUSTOM WALL MOUNT DUCT COVERS

	PAINTED	STAINLESS	OVERLAY
WIDTH x HEIGHT x PLUS	0.50	0.79	1.23
		409	

ANY WDC-26 SS DUCT COVER MORE THAN 45" TALL WILL HAVE A VERTICAL GRAIN DIRECTION.

FINISHED TOP

	PAINTED	STAINLESS	OVERLAY
WIDTH x DEPTH x PLUS	0.50	0.79	1.23
		238	

SLOPED TOP ON DUCT COVER

ADD	409
-----	-----

SPECIFY FRONT TO BACK OR LEFT TO RIGHT DIMENSIONS.

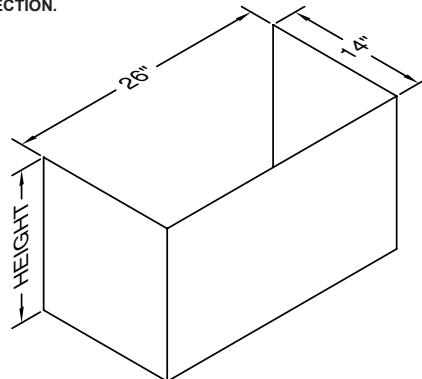
REMOVABLE PANEL DUCT COVERS

MODEL NO.	WIDTH	PAINTED	STAINLESS	OVERLAY	CLG.
WDCR-26/12	26"	686	765	910	8'
WDCR-26/24	26"	844	1016	1293	9'
WDCR-26/36	26"	990	1254	1676	10'

CUSTOM WALL MOUNT DUCT COVERS

	PAINTED	STAINLESS	OVERLAY
WIDTH x HEIGHT x PLUS	0.50	0.79	1.23
		541	

ANY WDCR-26 SS DUCT COVER MORE THAN 45" TALL WILL HAVE A VERTICAL GRAIN DIRECTION.



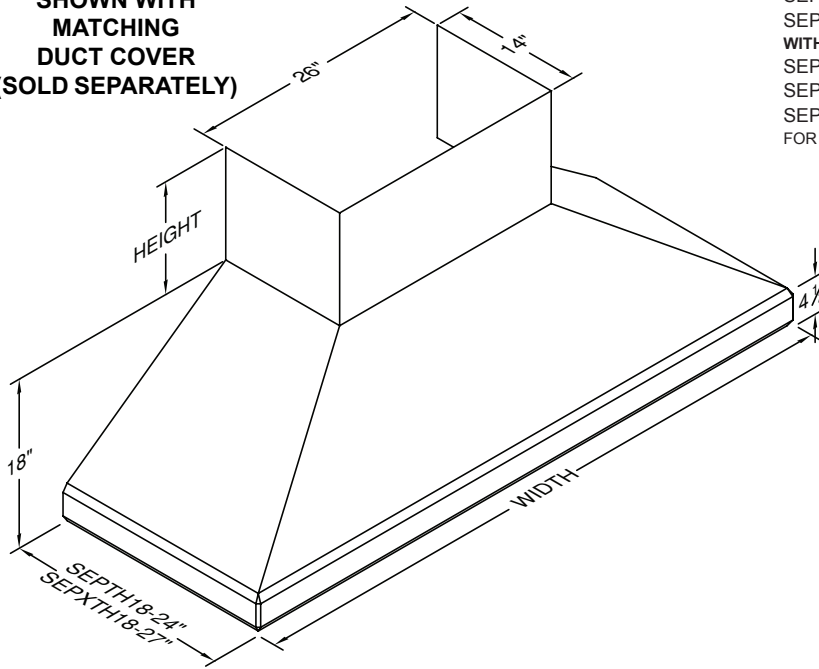
NEPTH18 EURO-STYLE WALL MOUNT HOOD VARIATIONS

WIDTHS OVER 66"				
FOR EACH 6" INCREMENT	PAINTED	STAINLESS	OVERLAY	
PLUS	184	264	330	
		238		
SPECIAL WIDTH (LESS THAN 66")				
USE NEXT LARGEST SIZE ON PRICE LIST,				
PLUS		238		
STAINLESS STEEL INTERIOR ON OVERLAY HOOD				
SUBTRACT PAINTED PRICE OF HOOD FROM STAINLESS PRICE OF HOOD				
DEPTH OVER 24" (EXCLUDING 27")				
WIDTH x EXTRA DEPTH x PLUS	PAINTED	STAINLESS	OVERLAY	
	1.17	1.74	2.36	
		409		
CUSTOM COLOR (SEE CUSTOM COLOR CHART)				
ADD		720		
TRIM OPTIONS				
SEE PAGES 92-93 FOR FINISH AND TRIM OPTIONS				

SEPTH18 EURO-STYLE WALL MOUNT RANGE HOOD

RECOMMENDED MOUNTING HEIGHT FROM COOKING SURFACE: 30"
TRANSITION INCLUDED IN HOOD 27" DEEP MODEL - SEPXTH18

SHOWN WITH MATCHING DUCT COVER (SOLD SEPARATELY)



MODEL NO.	WIDTH	PAINTED	STAINLESS	#LTS	INCL.
WITH DUAL & SINGLE BLOWERS (900 CFM)					
SEPTH18-342	42"	4400	5510	3	VP562
SEPTH18-348	48"	4772	5620	3	VP562
SEPTH18-354	54"	5136	6205	4	VP562
SEPTH18-360	60"	5314	6453	4	VP562
SEPTH18-366	66"	5480	6715	4	VP562
WITH TWO DUAL BLOWERS (1200 CFM)					
SEPTH18-454	54"	5520	6625	4	VP563
SEPTH18-460	60"	5698	6873	4	VP563
SEPTH18-466	66"	5864	7135	4	VP563

FOR 27" DEEP MODEL, ORDER SEPXTH18 (NO ADDITIONAL COST)

STANDARD DUCT COVERS

MODEL NO.	WIDTH	PAINTED	STAINLESS	CLG.
WDC-26/12	26"	554	646	8'
WDC-26/24	26"	712	897	9'
WDC-26/36	26"	871	1135	10'

CUSTOM WALL MOUNT DUCT COVERS

	PAINTED	STAINLESS
WIDTH x HEIGHT x PLUS	0.50	0.79
		409

ANY WDC-26 SS DUCT COVER MORE THAN 45" TALL WILL HAVE A VERTICAL GRAIN DIRECTION.

FINISHED TOP

	PAINTED	STAINLESS
WIDTH x DEPTH x PLUS	0.50	0.79
		238

SLOPED TOP ON DUCT COVER

ADD	409
-----	-----

SPECIFY FRONT TO BACK OR LEFT TO RIGHT DIMENSIONS.

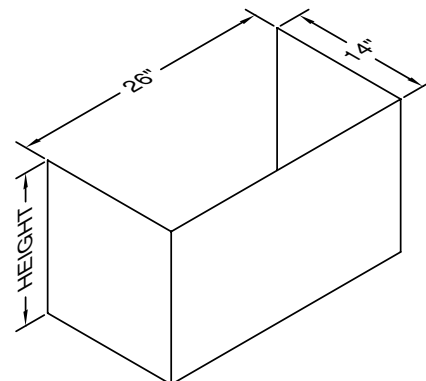
REMOVABLE PANEL DUCT COVERS

MODEL NO.	WIDTH	PAINTED	STAINLESS	CLG.
WDCR-26/12	26"	686	765	8'
WDCR-26/24	26"	844	1016	9'
WDCR-26/36	26"	990	1254	10'

CUSTOM WALL MOUNT DUCT COVERS

	PAINTED	STAINLESS
WIDTH x HEIGHT x PLUS	0.50	0.79
		541

ANY WDCR-26 SS DUCT COVER MORE THAN 45" TALL WILL HAVE A VERTICAL GRAIN DIRECTION.

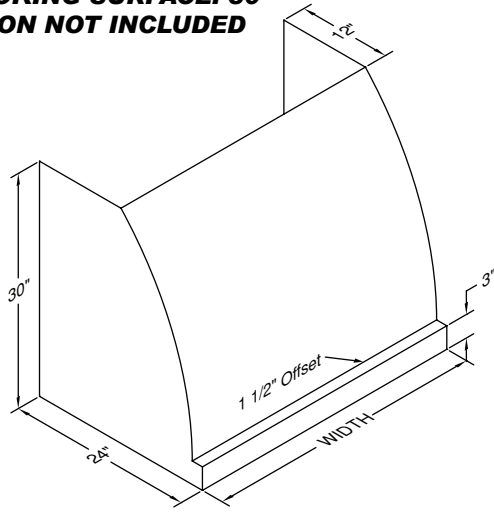


SEPTH18 EURO-STYLE WALL MOUNT HOOD VARIATIONS

WIDTHS OVER 66"	PAINTED	STAINLESS	DEPTH OVER 24" (EXCLUDING 27")	PAINTED	STAINLESS
FOR EACH 6" INCREMENT	184	264	WIDTH x EXTRA DEPTH x PLUS	1.17	1.74
		238			409
SPECIAL WIDTH (LESS THAN 48")			CUSTOM COLOR (SEE CUSTOM COLOR CHART)		
USE NEXT LARGEST SIZE ON PRICE LIST,			ADD		720
PLUS		238	TRIM OPTIONS		
			SEE PAGES 92-93 FOR FINISH AND TRIM OPTIONS		

CXH30 WALL MOUNT RANGE HOOD

RECOMMENDED MOUNTING HEIGHT FROM COOKING SURFACE: 30" TRANSITION NOT INCLUDED



MODEL NO.	WIDTH	PAINTED	STAINLESS	OVERLAY*	#LTS
WITH SINGLE BLOWER (300 CFM)					
CXH30-130	30"	2596	3506	4929	2
CXH30-136	36"	2734	3699	5286	2
CXH30-142	42"	3028	4048	5840	3
CXH30-148	48"	3222	4297	6252	3
WITH DUAL BLOWER (600 CFM)					
CXH30-230	30"	2980	3926	5313	2
CXH30-236	36"	3118	4119	5670	2
CXH30-242	42"	3412	4468	6224	3
CXH30-248	48"	3606	4717	6636	3
CXH30-254	54"	4135	5467	7641	4
WITH DUAL & SINGLE BLOWERS (900 CFM)					
CXH30-342	42"	3820	4972	6632	3
CXH30-348	48"	4014	5221	7044	3
CXH30-354	54"	4543	5971	8049	4
CXH30-360	60"	4902	6453	8708	4
WITH TWO DUAL BLOWERS (1200 CFM)					
CXH30-448	48"	4398	5641	7428	3
CXH30-454	54"	4927	6391	8433	4
CXH30-460	60"	5286	6873	9092	4
CXH30-466	66"	5547	7232	9654	4

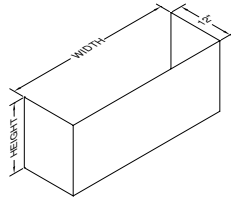
*FOR OVERLAY HOODS, SPECIFY INTERIOR COLOR

USE VP562 TRANSITION (OPTIONAL) ON 900 CFM MODELS TO COMBINE OUTLETS INTO A SINGLE 10" DUCT.
 USE VP563 TRANSITION (OPTIONAL) ON 1200 CFM MODELS TO COMBINE OUTLETS INTO A SINGLE 12" DUCT.

CUSTOM WALL MOUNT DUCT COVERS			
	PAINTED	STAINLESS	OVERLAY
WIDTH x HEIGHT x PLUS	0.50	0.79	1.23
ANY WDC SS DUCT COVER MORE THAN 43" TALL WILL HAVE A VERTICAL GRAIN DIRECTION. CUSTOM SIZES MAY BE LIMITED BY RAW MATERIAL SIZE. CONTACT FACTORY FOR FURTHER DETAILS.			

FINISHED TOP			
	PAINTED	STAINLESS	OVERLAY
WIDTH x DEPTH x PLUS	0.50	0.79	1.23
REMOVABLE FRONT PANEL			
ADD	238		
SLOPED TOP ON DUCT COVER			
ADD	409		

SPECIFY FRONT TO BACK OR LEFT TO RIGHT DIMENSIONS.

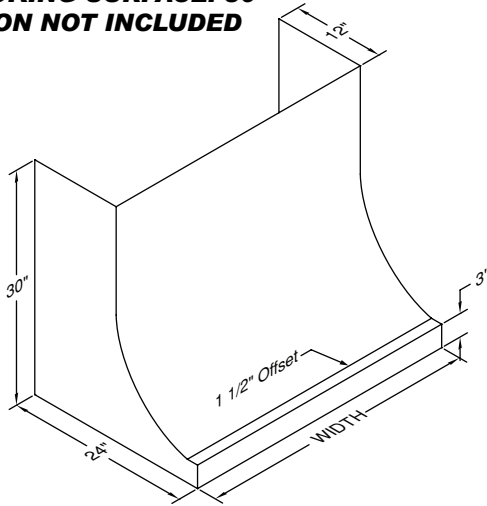


MODEL NO.	WIDTH	PAINTED	STAINLESS	OVERLAY	CLG.
WDC-30	30"	580	686	844	9'
WDC-30/24	30"	765	963	1293	10'
WDC-30/36	30"	937	1254	1729	11'
WDC-36	36"	620	739	937	9'
WDC-36/24	36"	831	1082	1465	10'
WDC-36/36	36"	1056	1425	1993	11'
WDC-42	42"	660	805	1016	9'
WDC-42/24	42"	910	1201	1636	10'
WDC-42/36	42"	1161	1597	2257	11'
WDC-48	48"	686	858	1108	9'
WDC-48/24	48"	976	1306	1821	10'
WDC-48/36	48"	1267	1755	2521	11'
WDC-54	54"	726	910	1201	9'
WDC-60	60"	765	963	1293	9'
WDC-66	66"	805	1029	1372	9'

CXH30 WALL MOUNT HOOD VARIATIONS				
WIDTHS OVER 66"	PAINTED	STAINLESS	OVERLAY	CLIPPED CORNER (MODELS WITH CONVEX ENDS ONLY) PER CORNER, ADD 409
	FOR EACH 6" INCREMENT PLUS	184	264	
SPECIAL WIDTH (LESS THAN 66") USE NEXT LARGEST SIZE ON PRICE LIST, PLUS			238	CONVEX END (REDUCES TOP WIDTH BY 6" EACH) PER END, ADD 409
	SPECIAL HEIGHT (BETWEEN 18" & 30") USE STANDARD 30" PRICE, PLUS		409	SPECIAL BLOWER LOCATION LEFT TO RIGHT, SPECIFY COLLAR CENTERLINE ADD 238
HEIGHT OVER 30"	PAINTED	STAINLESS	OVERLAY	SPECIAL DECK (9" MINIMUM, 18" STANDARD) ADD 238
	WIDTH x EXTRA HEIGHT x PLUS	1.17	1.74	2.36
DEPTH LESS THAN 24"			409	ADDITIONAL BLOWERS & LIGHTS SEE PAGE 86 FOR BLOWER OPTIONS
	DEPTH OVER 24"		409	REMOTE BLOWER OPTIONS SEE PAGES 86-87 FOR REMOTE BLOWER OPTIONS
WIDTH x EXTRA DEPTH x PLUS	PAINTED	STAINLESS	OVERLAY	CUSTOM COLOR (SEE CUSTOM COLOR CHART) ADD 720
	1.17	1.74	2.36	TRIM OPTIONS SEE PAGES 92-93 FOR FINISH AND TRIM OPTIONS
SLOPE, LIP, OFFSET, OR TOP VARIATION PER VARIATION, ADD		409		WARMING LAMPS AND SHELVES SEE PAGES 89 FOR WARMING LAMP AND SHELF OPTIONS

DAH30 WALL MOUNT RANGE HOOD

RECOMMENDED MOUNTING HEIGHT FROM COOKING SURFACE: 30" TRANSITION NOT INCLUDED



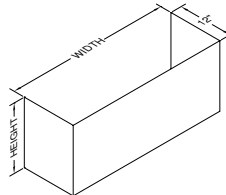
MODEL NO.	WIDTH	PAINTED	STAINLESS	OVERLAY*	#LTS
WITH SINGLE BLOWER (300 CFM)					
DAH30-130	30"	2596	3506	4929	2
DAH30-136	36"	2734	3699	5286	2
DAH30-142	42"	3028	4048	5840	3
DAH30-148	48"	3222	4297	6252	3
WITH DUAL BLOWER (600 CFM)					
DAH30-230	30"	2980	3926	5313	2
DAH30-236	36"	3118	4119	5670	2
DAH30-242	42"	3412	4468	6224	3
DAH30-248	48"	3606	4717	6636	3
DAH30-254	54"	4135	5467	7641	4
WITH DUAL & SINGLE BLOWERS (900 CFM)					
DAH30-342	42"	3820	4972	6632	3
DAH30-348	48"	4014	5221	7044	3
DAH30-354	54"	4543	5971	8049	4
DAH30-360	60"	4902	6453	8708	4
WITH TWO DUAL BLOWERS (1200 CFM)					
DAH30-448	48"	4398	5641	7428	3
DAH30-454	54"	4927	6391	8433	4
DAH30-460	60"	5286	6873	9092	4
DAH30-466	66"	5547	7232	9654	4

*FOR OVERLAY HOODS, SPECIFY INTERIOR COLOR

USE VP562 TRANSITION (OPTIONAL) ON 900 CFM MODELS TO COMBINE OUTLETS INTO A SINGLE 10" DUCT.
 USE VP563 TRANSITION (OPTIONAL) ON 1200 CFM MODELS TO COMBINE OUTLETS INTO A SINGLE 12" DUCT.

CUSTOM WALL MOUNT DUCT COVERS			
	PAINTED	STAINLESS	OVERLAY
WIDTH x HEIGHT x PLUS	0.50	0.79	1.23
ANY WDC SS DUCT COVER MORE THAN 43" TALL WILL HAVE A VERTICAL GRAIN DIRECTION. CUSTOM SIZES MAY BE LIMITED BY RAW MATERIAL SIZE. CONTACT FACTORY FOR FURTHER DETAILS.			
FINISHED TOP			
	PAINTED	STAINLESS	OVERLAY
WIDTH x DEPTH x PLUS	0.50	0.79	1.23
REMOVABLE FRONT PANEL			
ADD	238		
SLOPED TOP ON DUCT COVER			
ADD	409		

SPECIFY FRONT TO BACK OR LEFT TO RIGHT DIMENSIONS.

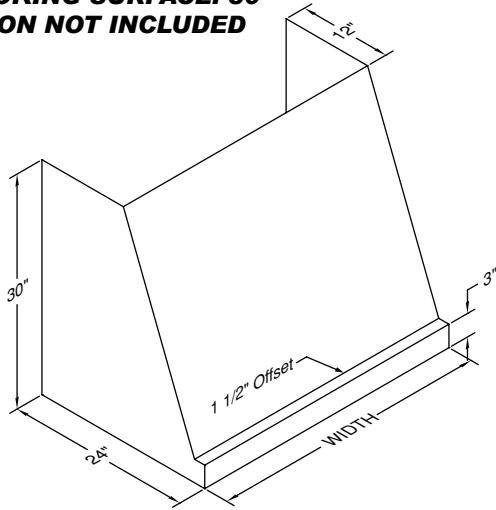


MODEL NO.	WIDTH	PAINTED	STAINLESS	OVERLAY	CLG.
WDC-30	30"	580	686	844	9'
WDC-30/24	30"	765	963	1293	10'
WDC-30/36	30"	937	1254	1729	11'
WDC-36	36"	620	739	937	9'
WDC-36/24	36"	831	1082	1465	10'
WDC-36/36	36"	1056	1425	1993	11'
WDC-42	42"	660	805	1016	9'
WDC-42/24	42"	910	1201	1636	10'
WDC-42/36	42"	1161	1597	2257	11'
WDC-48	48"	686	858	1108	9'
WDC-48/24	48"	976	1306	1821	10'
WDC-48/36	48"	1267	1755	2521	11'
WDC-54	54"	726	910	1201	9'
WDC-60	60"	765	963	1293	9'
WDC-66	66"	805	1029	1372	9'

DAH30 WALL MOUNT HOOD VARIATIONS				
WIDTHS OVER 66"				
FOR EACH 6" INCREMENT	PAINTED	STAINLESS	OVERLAY	
PLUS	184	264	330	
		238		
SPECIAL WIDTH (LESS THAN 66")				
USE NEXT LARGEST SIZE ON PRICE LIST,				
PLUS		238		
SPECIAL HEIGHT (BETWEEN 18" & 30")				
USE STANDARD 30" PRICE,				
PLUS		409		
HEIGHT OVER 30"				
WIDTH x EXTRA HEIGHT x	PAINTED	STAINLESS	OVERLAY	
PLUS	1.17	1.74	2.36	
		409		
DEPTH LESS THAN 24"				
ADD		409		
DEPTH OVER 24"				
WIDTH x EXTRA DEPTH x	PAINTED	STAINLESS	OVERLAY	
PLUS	1.17	1.74	2.36	
		409		
SLOPE, LIP, OFFSET, OR TOP VARIATION				
PER VARIATION, ADD		409		
CLIPPED CORNER				
PER CORNER, ADD			409	
CONCAVE END (REDUCES TOP WIDTH BY 6" EACH)				
PER END, ADD			409	
SPECIAL BLOWER LOCATION				
LEFT TO RIGHT, SPECIFY COLLAR CENTERLINE				
ADD			238	
SPECIAL DECK (9" MINIMUM, 18" STANDARD)				
ADD			238	
STAINLESS STEEL INTERIOR ON OVERLAY HOOD				
SUBTRACT PAINTED PRICE OF HOOD FROM STAINLESS PRICE OF HOOD				
ADDITIONAL BLOWERS & LIGHTS				
SEE PAGE 86 FOR BLOWER OPTIONS				
REMOTE BLOWER OPTIONS				
SEE PAGES 86-87 FOR REMOTE BLOWER OPTIONS				
CUSTOM COLOR (SEE CUSTOM COLOR CHART)				
ADD			720	
TRIM OPTIONS				
SEE PAGES 92-93 FOR FINISH AND TRIM OPTIONS				
WARMING LAMPS AND SHELVES				
SEE PAGES 89 FOR WARMING LAMP AND SHELF OPTIONS				

PWVH30 WALL MOUNT RANGE HOOD

RECOMMENDED MOUNTING HEIGHT FROM COOKING SURFACE: 30" TRANSITION NOT INCLUDED



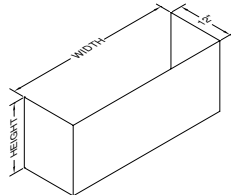
MODEL NO.	WIDTH	PAINTED	STAINLESS	OVERLAY*	#LTS
WITH SINGLE BLOWER (300 CFM)					
PWVH30-130	30"	2596	3506	4929	2
PWVH30-136	36"	2734	3699	5286	2
PWVH30-142	42"	3028	4048	5840	3
PWVH30-148	48"	3222	4297	6252	3
WITH DUAL BLOWER (600 CFM)					
PWVH30-230	30"	2980	3926	5313	2
PWVH30-236	36"	3118	4119	5670	2
PWVH30-242	42"	3412	4468	6224	3
PWVH30-248	48"	3606	4717	6636	3
PWVH30-254	54"	4135	5467	7641	4
WITH DUAL & SINGLE BLOWERS (900 CFM)					
PWVH30-342	42"	3820	4972	6632	3
PWVH30-348	48"	4014	5221	7044	3
PWVH30-354	54"	4543	5971	8049	4
PWVH30-360	60"	4902	6453	8708	4
WITH TWO DUAL BLOWERS (1200 CFM)					
PWVH30-448	48"	4398	5641	7428	3
PWVH30-454	54"	4927	6391	8433	4
PWVH30-460	60"	5286	6873	9092	4
PWVH30-466	66"	5547	7232	9654	4

*FOR OVERLAY HOODS, SPECIFY INTERIOR COLOR

USE VP562 TRANSITION (OPTIONAL) ON 900 CFM MODELS TO COMBINE OUTLETS INTO A SINGLE 10" DUCT.
 USE VP563 TRANSITION (OPTIONAL) ON 1200 CFM MODELS TO COMBINE OUTLETS INTO A SINGLE 12" DUCT.

CUSTOM WALL MOUNT DUCT COVERS			
	PAINTED	STAINLESS	OVERLAY
WIDTH x HEIGHT x PLUS	0.50	0.79	1.23
ANY WDC SS DUCT COVER MORE THAN 43" TALL WILL HAVE A VERTICAL GRAIN DIRECTION. CUSTOM SIZES MAY BE LIMITED BY RAW MATERIAL SIZE. CONTACT FACTORY FOR FURTHER DETAILS.			
FINISHED TOP			
	PAINTED	STAINLESS	OVERLAY
WIDTH x DEPTH x PLUS	0.50	0.79	1.23
REMOVABLE FRONT PANEL			
ADD	238		
SLOPED TOP ON DUCT COVER			
ADD	409		

SPECIFY FRONT TO BACK OR LEFT TO RIGHT DIMENSIONS.

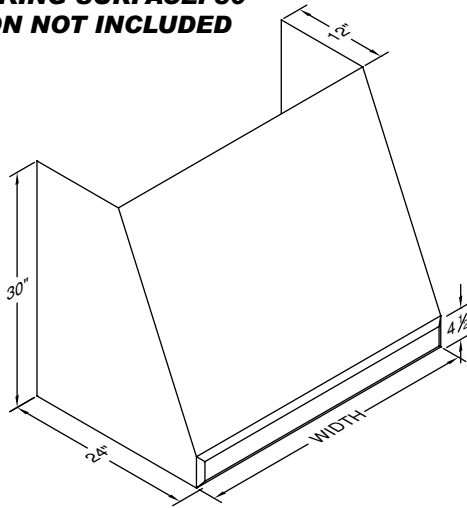


MODEL NO.	WIDTH	PAINTED	STAINLESS	OVERLAY	CLG.
WDC-30	30"	580	686	844	9'
WDC-30/24	30"	765	963	1293	10'
WDC-30/36	30"	937	1254	1729	11'
WDC-36	36"	620	739	937	9'
WDC-36/24	36"	831	1082	1465	10'
WDC-36/36	36"	1056	1425	1993	11'
WDC-42	42"	660	805	1016	9'
WDC-42/24	42"	910	1201	1636	10'
WDC-42/36	42"	1161	1597	2257	11'
WDC-48	48"	686	858	1108	9'
WDC-48/24	48"	976	1306	1821	10'
WDC-48/36	48"	1267	1755	2521	11'
WDC-54	54"	726	910	1201	9'
WDC-60	60"	765	963	1293	9'
WDC-66	66"	805	1029	1372	9'

PWVH30 WALL MOUNT HOOD VARIATIONS				
WIDTHS OVER 66"	PAINTED	STAINLESS	OVERLAY	CLIPPED CORNER
FOR EACH 6" INCREMENT	184	264	330	PER CORNER, ADD 409
PLUS		238		SLOPED END (REDUCES TOP WIDTH BY 6" EACH)
SPECIAL WIDTH (LESS THAN 66")				PER END, ADD 409
USE NEXT LARGEST SIZE ON PRICE LIST,				SPECIAL BLOWER LOCATION
PLUS		238		LEFT TO RIGHT, SPECIFY COLLAR CENTERLINE
SPECIAL HEIGHT (BETWEEN 18" & 30")				ADD 238
USE STANDARD 30" PRICE,				SPECIAL DECK (9" MINIMUM, 18" STANDARD)
PLUS		409		ADD 238
HEIGHT OVER 30"	PAINTED	STAINLESS	OVERLAY	STAINLESS STEEL INTERIOR ON OVERLAY HOOD
WIDTH x EXTRA HEIGHT x PLUS	1.17	1.74	2.36	SUBTRACT PAINTED PRICE OF HOOD FROM STAINLESS PRICE OF HOOD
DEPTH LESS THAN 24"				ADDITIONAL BLOWERS & LIGHTS
ADD		409		SEE PAGE 86 FOR BLOWER OPTIONS
DEPTH OVER 24"	PAINTED	STAINLESS	OVERLAY	REMOTE BLOWER OPTIONS
WIDTH x EXTRA DEPTH x PLUS	1.17	1.74	2.36	SEE PAGES 86-87 FOR REMOTE BLOWER OPTIONS
SLOPE, LIP, OFFSET, OR TOP VARIATION				CUSTOM COLOR (SEE CUSTOM COLOR CHART)
PER VARIATION, ADD		409		ADD 720
				TRIM OPTIONS
				SEE PAGES 92-93 FOR FINISH AND TRIM OPTIONS
				WARMING LAMPS AND SHELVES
				SEE PAGES 89 FOR WARMING LAMP AND SHELF OPTIONS

SLH30 WALL MOUNT RANGE HOOD

RECOMMENDED MOUNTING HEIGHT FROM COOKING SURFACE: 30" TRANSITION NOT INCLUDED



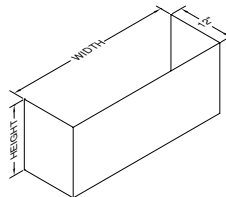
MODEL NO.	WIDTH	PAINTED	STAINLESS	OVERLAY*	#LTS
WITH SINGLE BLOWER (300 CFM)					
SLH30-130	30"	2596	3506	4929	2
SLH30-136	36"	2734	3699	5286	2
SLH30-142	42"	3028	4048	5840	3
SLH30-148	48"	3222	4297	6252	3
WITH DUAL BLOWER (600 CFM)					
SLH30-230	30"	2980	3926	5313	2
SLH30-236	36"	3118	4119	5670	2
SLH30-242	42"	3412	4468	6224	3
SLH30-248	48"	3606	4717	6636	3
SLH30-254	54"	4135	5467	7641	4
WITH DUAL & SINGLE BLOWERS (900 CFM)					
SLH30-342	42"	3820	4972	6632	3
SLH30-348	48"	4014	5221	7044	3
SLH30-354	54"	4543	5971	8049	4
SLH30-360	60"	4902	6453	8708	4
WITH TWO DUAL BLOWERS (1200 CFM)					
SLH30-448	48"	4398	5641	7428	3
SLH30-454	54"	4927	6391	8433	4
SLH30-460	60"	5286	6873	9092	4
SLH30-466	66"	5547	7232	9654	4

*FOR OVERLAY HOODS, SPECIFY INTERIOR COLOR

USE VP562 TRANSITION (OPTIONAL) ON 900 CFM MODELS TO COMBINE OUTLETS INTO A SINGLE 10" DUCT.
 USE VP563 TRANSITION (OPTIONAL) ON 1200 CFM MODELS TO COMBINE OUTLETS INTO A SINGLE 12" DUCT.

CUSTOM WALL MOUNT DUCT COVERS			
	PAINTED	STAINLESS	OVERLAY
WIDTH x HEIGHT x PLUS	0.50	0.79	1.23
ANY WDC SS DUCT COVER MORE THAN 43" TALL WILL HAVE A VERTICAL GRAIN DIRECTION. CUSTOM SIZES MAY BE LIMITED BY RAW MATERIAL SIZE. CONTACT FACTORY FOR FURTHER DETAILS.			
FINISHED TOP			
	PAINTED	STAINLESS	OVERLAY
WIDTH x DEPTH x PLUS	0.50	0.79	1.23
REMOVABLE FRONT PANEL			
ADD	238		
SLOPED TOP ON DUCT COVER			
ADD	409		

SPECIFY FRONT TO BACK OR LEFT TO RIGHT DIMENSIONS.

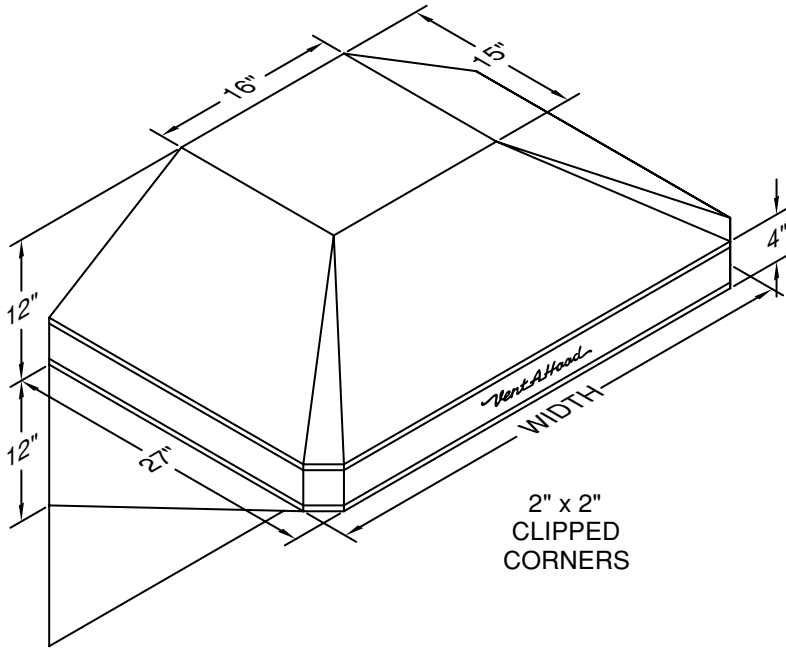


MODEL NO.	WIDTH	PAINTED	STAINLESS	OVERLAY	CLG.
WDC-30	30"	580	686	844	9'
WDC-30/24	30"	765	963	1293	10'
WDC-30/36	30"	937	1254	1729	11'
WDC-36	36"	620	739	937	9'
WDC-36/24	36"	831	1082	1465	10'
WDC-36/36	36"	1056	1425	1993	11'
WDC-42	42"	660	805	1016	9'
WDC-42/24	42"	910	1201	1636	10'
WDC-42/36	42"	1161	1597	2257	11'
WDC-48	48"	686	858	1108	9'
WDC-48/24	48"	976	1306	1821	10'
WDC-48/36	48"	1267	1755	2521	11'
WDC-54	54"	726	910	1201	9'
WDC-60	60"	765	963	1293	9'
WDC-66	66"	805	1029	1372	9'

SLH30 WALL MOUNT HOOD VARIATIONS				
WIDTHS OVER 66"				SLOPE, LIP, OFFSET, OR TOP VARIATION
FOR EACH 6" INCREMENT	PAINTED 184	STAINLESS 264	OVERLAY 330	PER VARIATION, ADD 409
PLUS		238		SLOPED END (REDUCES TOP WIDTH BY 6" EACH, N/A ON OVERLAY)
SPECIAL WIDTH (LESS THAN 66")				PER END, ADD 409
USE NEXT LARGEST SIZE ON PRICE LIST,				SPECIAL BLOWER LOCATION
PLUS		238		LEFT TO RIGHT, SPECIFY COLLAR CENTERLINE
SPECIAL HEIGHT (BETWEEN 18" & 30")				ADD 238
USE STANDARD 30" PRICE,				SPECIAL DECK (9" MINIMUM, 18" STANDARD)
PLUS		409		ADD 238
HEIGHT OVER 30"				STAINLESS STEEL INTERIOR ON OVERLAY HOOD
WIDTH x EXTRA HEIGHT x PLUS	PAINTED 1.17	STAINLESS 1.74	OVERLAY 2.36	SUBTRACT PAINTED PRICE OF HOOD FROM STAINLESS PRICE OF HOOD
DEPTH LESS THAN 24"				ADDITIONAL BLOWERS & LIGHTS
ADD		409		SEE PAGE 86 FOR BLOWER OPTIONS
DEPTH OVER 24"				REMOTE BLOWER OPTIONS
WIDTH x EXTRA DEPTH x PLUS	PAINTED 1.17	STAINLESS 1.74	OVERLAY 2.36	SEE PAGES 86-87 FOR REMOTE BLOWER OPTIONS
		409		CUSTOM COLOR (SEE CUSTOM COLOR CHART)
				ADD 720
				TRIM OPTIONS
				SEE PAGES 92-93 FOR FINISH AND TRIM OPTIONS
				WARMING LAMPS AND SHELVES
				SEE PAGES 89 FOR WARMING LAMP AND SHELF OPTIONS

AH12 RETRO-STYLE WALL MOUNT RANGE HOOD

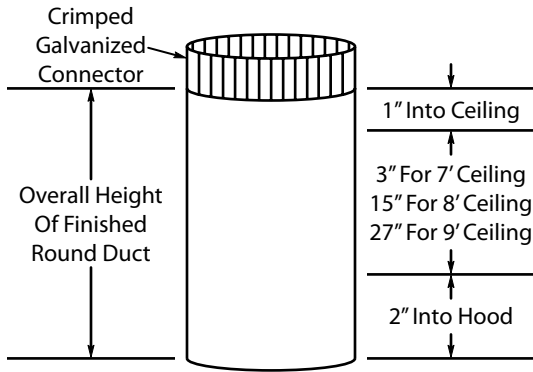
RECOMMENDED MOUNTING HEIGHT FROM COOKING SURFACE: 33"



MODEL NO.	WIDTH	PAINTED	#LTS
WITH SINGLE BLOWER (300 CFM)			
AH12-130	30"	1824	2
AH12-136	36"	1851	2
AH12-142	42"	2049	3
AH12-148	48"	2132	3
WITH DUAL BLOWER (600 CFM)			
AH12-236	36"	2235	2
AH12-242	42"	2433	3
AH12-248	48"	2516	3

HOOD INCLUDES TWO SIDE WING PANELS AND SPLASH PANEL 30" TALL X WIDTH OF HOOD.

MODEL NO.	WIDTH	PAINTED	CLG.
ARDC-6/6	6"	79	7'
ARDC-6/18	6"	105	8'
ARDC-6/30	6"	132	9'
ARDC-8/6	8"	79	7'
ARDC-8/18	8"	132	8'
ARDC-8/30	8"	158	9'



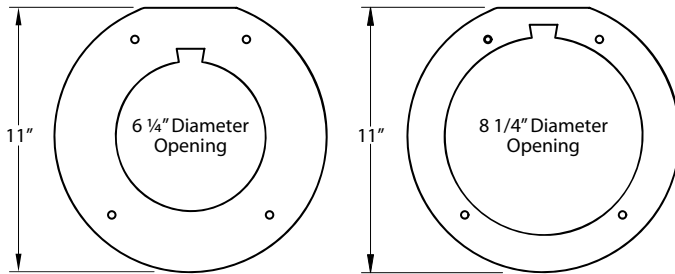
CUSTOM FINISHED ROUND DUCT

WIDTH x HEIGHT x PLUS	PAINTED
WIDTH x HEIGHT x PLUS	0.50 409

NOTE: FINISHED ROUND DUCT EXTENDS 2" INTO TOP OF HOOD AND 1" INTO CEILING.

NOTE: WHEN PRICING CUSTOM FINISHED ROUND DUCT, INCLUDE THE 2" THAT EXTENDS INTO TOP OF HOOD AND 1" THAT EXTENDS INTO CEILING (3" TOTAL). TOTAL OVERALL HEIGHT CANNOT EXCEED 60" (10' 8" CEILING).

NOTE: TOP END OF FINISHED ROUND DUCT IS CRIMPED TO ALLOW FOR DUCT CONNECTION IN THE CEILING (CRIMP IS NOT INCLUDED IN THE OVERALL HEIGHT OF THE FINISHED ROUND DUCT).



MODEL NO.	WIDTH	PAINTED
ARC6	6"	22
ARC8	8"	22

AH12 RETRO-STYLE WALL MOUNT HOOD VARIATIONS

SPECIAL WIDTH (LESS THAN 48")
USE NEXT LARGEST SIZE ON PRICE LIST,
PLUS

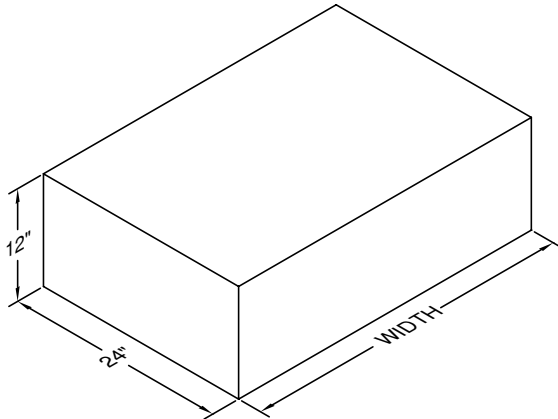
409

CUSTOM COLOR (SEE CUSTOM COLOR CHART)
ADD

720

CWH WALL MOUNT RANGE HOOD

**RECOMMENDED MOUNTING HEIGHT
FROM COOKING SURFACE: 30"
TRANSITION NOT INCLUDED**



MODEL NO.	WIDTH	PAINTED	STAINLESS	OVERLAY*	#LTS
WITH SINGLE BLOWER (300 CFM)					
CWH-130	30"	1707	2361	3225	2
CWH-136	36"	1734	2401	3355	2
CWH-142	42"	1950	2604	3687	3
CWH-148	48"	2040	2707	3870	3
WITH DUAL BLOWER (600 CFM)					
CWH-230	30"	2091	2781	3609	2
CWH-236	36"	2118	2821	3739	2
CWH-242	42"	2334	3024	4071	3
CWH-248	48"	2424	3127	4254	3
CWH-254	54"	2886	3758	4923	4
WITH DUAL & SINGLE BLOWERS (900 CFM)					
CWH-342	42"	2742	3528	4479	3
CWH-348	48"	2832	3631	4662	3
CWH-354	54"	3294	4262	5331	4
CWH-360	60"	3514	4560	5733	4
WITH TWO DUAL BLOWERS (1200 CFM)					
CWH-448	48"	3216	4051	5046	3
CWH-454	54"	3678	4682	5715	4
CWH-460	60"	3898	4980	6117	4
CWH-466	66"	4081	5200	6428	4

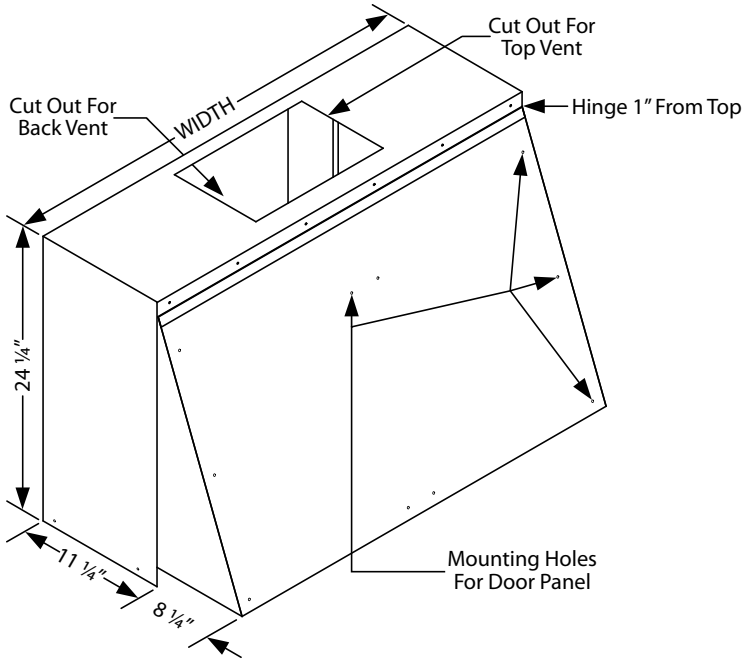
*FOR OVERLAY HOODS, SPECIFY INTERIOR COLOR

**USE VP562 TRANSITION (OPTIONAL) ON 900 CFM MODELS TO COMBINE OUTLETS INTO A SINGLE 10" DUCT.
USE VP563 TRANSITION (OPTIONAL) ON 1200 CFM MODELS TO COMBINE OUTLETS INTO A SINGLE 12" DUCT.**

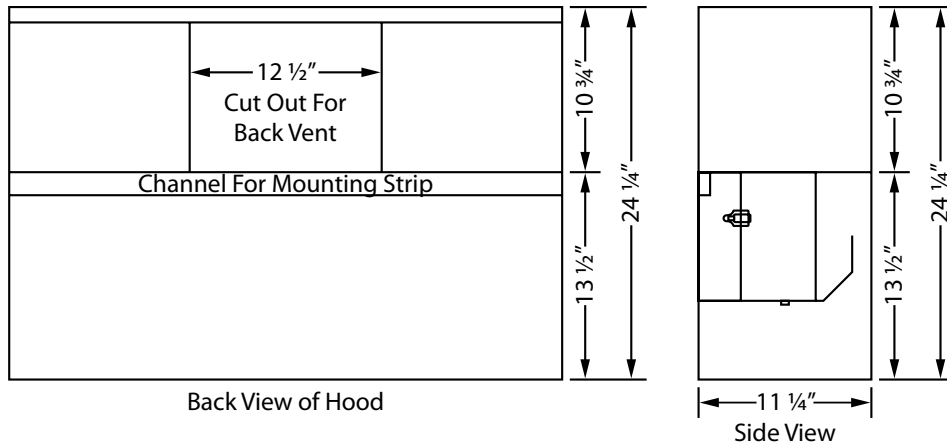
CWH WALL MOUNT HOOD VARIATIONS				
WIDTHS OVER 66"			ROUNDED CORNER	
FOR EACH 6" INCREMENT	PAINTED	STAINLESS	OVERLAY	NO OFFSETS OR LIP, MINIMUM 4 INCH RADIUS
PLUS	184	264	330	PER CORNER, ADD 462
SPECIAL WIDTH (LESS THAN 66")			SPECIAL BLOWER LOCATION	
USE NEXT LARGEST SIZE ON PRICE LIST,				LEFT TO RIGHT, SPECIFY COLLAR CENTERLINE
PLUS		238		ADD 238
SPECIAL HEIGHT (BETWEEN 9" & 12")			SPECIAL DECK (9" MINIMUM)	
USE STANDARD PRICE,				ADD 238
PLUS		409		STAINLESS STEEL INTERIOR ON OVERLAY HOOD
HEIGHT OVER 12"			SUBTRACT PAINTED PRICE OF HOOD FROM STAINLESS PRICE OF HOOD	
WIDTH x EXTRA HEIGHT x	PAINTED	STAINLESS	OVERLAY	ADDITIONAL BLOWERS & LIGHTS
PLUS	1.17	1.74	2.36	SEE PAGE 86 FOR BLOWER OPTIONS
DEPTH LESS THAN 24"			REMOTE BLOWER OPTIONS	
ADD		409		SEE PAGES 86-87 FOR REMOTE BLOWER OPTIONS
DEPTH OVER 24"			CUSTOM COLOR (SEE CUSTOM COLOR CHART)	
WIDTH x EXTRA DEPTH x	PAINTED	STAINLESS	OVERLAY	ADD 720
PLUS	1.17	1.74	2.36	TRIM OPTIONS
LIP AND OFFSET			SEE PAGES 92-93 FOR FINISH AND TRIM OPTIONS	
1, 2 OR 3 SIDES, ADD		409		WARMING LAMPS AND SHELVES
				SEE PAGES 89 FOR WARMING LAMP AND SHELF OPTIONS

TLH WALL MOUNT RANGE HOOD

**RECOMMENDED MOUNTING HEIGHT
FROM COOKING SURFACE: 23 3/4"**



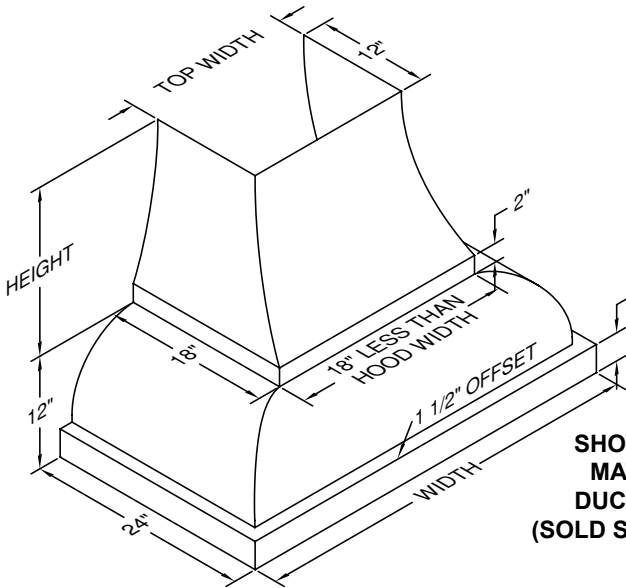
MODEL NO.	WIDTH	PAINTED	STAINLESS	#LTS
WITH SINGLE BLOWER (300 CFM)				
TLH-130	30"	1760	2383	2
TLH-136	36"	1800	2409	2
TLH-142	42"	1940	2563	3
TLH-148	48"	2019	2656	3
WITH DUAL BLOWER (600 CFM)				
TLH-230	30"	2144	2803	2
TLH-236	36"	2184	2829	2
TLH-242	42"	2324	2983	3
TLH-248	48"	2403	3076	3



TLH WALL MOUNT HOOD VARIATIONS			
SPECIAL WIDTH (LESS THAN 48")			
ADD	238	CUSTOM TILT OUT	
HINGE AT TOP		HEIGHT (36" MAX), WIDTH, DEPTH OR COMBO VARIATION	
ADD	238	ADD	488
		CUSTOM COLOR (SEE CUSTOM COLOR CHART)	
		ADD	720

JCHIA1 DESIGNER SERIES WALL MOUNT RANGE HOOD

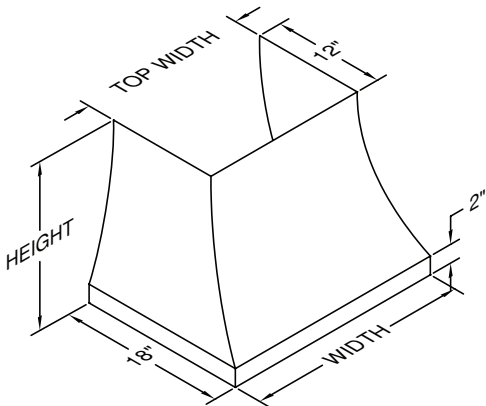
RECOMMENDED MOUNTING HEIGHT FROM COOKING SURFACE: 30"
TRANSITION INCLUDED IN HOOD



SHOWN WITH MATCHING DUCT COVER (SOLD SEPARATELY)

MODEL NO.	WIDTH	TOP W.	PAINTED	STAINLESS	OVERLAY*	#LTS
WITH SINGLE BLOWER (300 CFM)						
JCH136/A1	36"	18"	2394	2946	3870	2
JCH142/A1	42"	24"	2583	3108	4170	3
JCH148/A1	48"	30"	2679	3231	4322	3
WITH DUAL BLOWER (600 CFM)						
JCH236/A1	36"	18"	2778	3366	4254	2
JCH242/A1	42"	24"	2967	3528	4554	3
JCH248/A1	48"	30"	3063	3651	4706	3
WITH DUAL & SINGLE BLOWERS (900 CFM)*						
JCH348/A1	48"	30"	3471	4155	5114	3
JCH354/A1	54"	36"	4112	4953	6044	4
JCH360/A1	60"	42"	4263	5161	6361	4
WITH TWO DUAL BLOWERS (1200 CFM)+						
JCH454/A1	54"	36"	4496	5373	6428	4
JCH460/A1	60"	42"	4647	5581	6745	4
JCH466/A1	66"	48"	4830	5823	7078	4

*FOR OVERLAY HOODS, SPECIFY INTERIOR COLOR
 *VP562 TRANSITION TO 10" ROUND INCLUDED WITH 900 CFM MODELS
 +VP563 TRANSITION TO 12" ROUND INCLUDED WITH 1200 CFM MODELS



MODEL NO.	WIDTH	TOP W.	PAINTED	STAINLESS	OVERLAY*	CLG.
CDC-18/12/18	18"	12"	937	1029	1161	8'
CDC-18/12/30	18"	12"	1359	1518	1755	9'
CDC-18/12/42	18"	12"	1465	1689	2032	10'
CDC-24/12/18	24"	18"	990	1108	1293	8'
CDC-24/12/30	24"	12"	1452	1663	1980	9'
CDC-24/12/42	24"	12"	1597	1887	2349	10'
CDC-30/12/18	30"	24"	1042	1188	1425	8'
CDC-30/12/30	30"	12"	1544	1808	2204	9'
CDC-30/12/42	30"	12"	1729	2098	2666	10'
CDC-36/12/18	36"	30"	1095	1280	1557	8'
CDC-36/12/30	36"	18"	1636	1953	2428	9'
CDC-36/12/42	36"	18"	1861	2296	2983	10'
CDC-42/12/18	42"	36"	1148	1359	1676	8'
CDC-42/12/30	42"	24"	1729	2098	2666	9'
CDC-42/12/42	42"	18"	1993	2508	3286	10'
CDC-48/12/18	48"	42"	1201	1438	1808	8'
CDC-48/12/30	48"	30"	1821	2244	2890	9'
CDC-48/12/42	48"	24"	2125	2706	3603	10'

*TRIM REQUIRED ON MODELS EXCEEDING 35" WIDTH AND 30" HEIGHT

JCHIA1 -AS



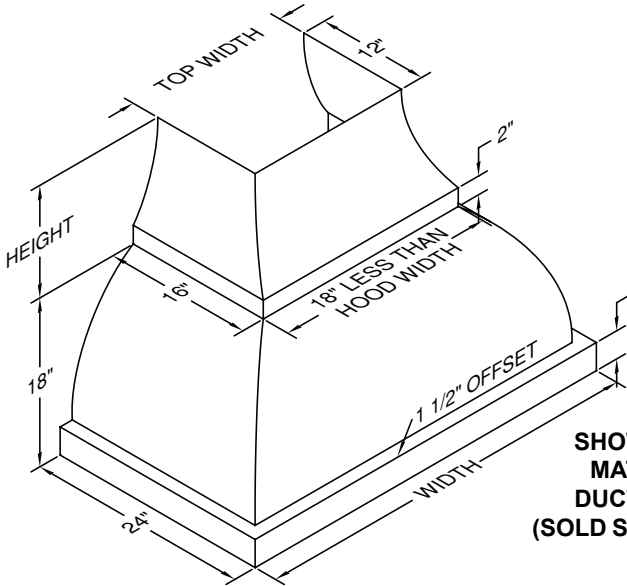
AS SEEN IN ADVERTISING LITERATURE

CFM	WIDTH					
	36"	42"	48"	54"	60"	66"
300 CFM	7,479.00	7,911.00	8,195.00			
600 CFM	7,863.00	8,295.00	8,579.00			
900 CFM			8,987.00	10,049.00	10,485.00	
1200 CFM				10,433.00	10,869.00	11,334.00

Pricing includes matching duct cover for 8' ceiling.
 Priced as shown with light antiqued hammered copper and antiqued trim.

JCHIB1 DESIGNER SERIES WALL MOUNT RANGE HOOD

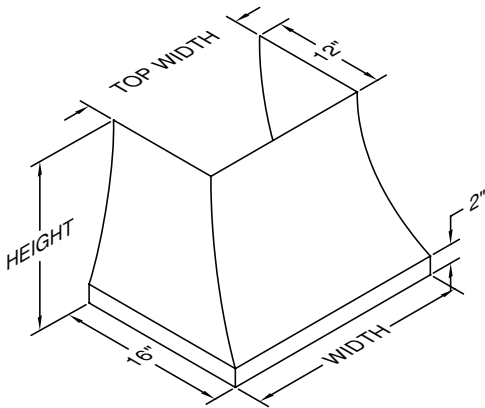
RECOMMENDED MOUNTING HEIGHT FROM COOKING SURFACE: 30"
TRANSITION INCLUDED IN HOOD



SHOWN WITH MATCHING DUCT COVER (SOLD SEPARATELY)

MODEL NO.	WIDTH	TOP W.	PAINTED	STAINLESS	OVERLAY*	#LTS
WITH SINGLE BLOWER (300 CFM)						
JCH136/B1	36"	18"	2394	2946	3870	2
JCH142/B1	42"	24"	2583	3108	4170	3
JCH148/B1	48"	30"	2679	3231	4322	3
WITH DUAL BLOWER (600 CFM)						
JCH236/B1	36"	18"	2778	3366	4254	2
JCH242/B1	42"	24"	2967	3528	4554	3
JCH248/B1	48"	30"	3063	3651	4706	3
WITH DUAL & SINGLE BLOWERS (900 CFM)*						
JCH348/B1	48"	30"	3471	4155	5114	3
JCH354/B1	54"	36"	4112	4953	6044	4
JCH360/B1	60"	42"	4263	5161	6361	4
WITH TWO DUAL BLOWERS (1200 CFM)+						
JCH454/B1	54"	36"	4496	5373	6428	4
JCH460/B1	60"	42"	4647	5581	6745	4
JCH466/B1	66"	48"	4830	5823	7078	4

*FOR OVERLAY HOODS, SPECIFY INTERIOR COLOR
 *VP562 TRANSITION TO 10" ROUND INCLUDED WITH 900 CFM MODELS
 +VP563 TRANSITION TO 12" ROUND INCLUDED WITH 1200 CFM MODELS



MODEL NO.	WIDTH	TOP W.	PAINTED	STAINLESS	OVERLAY*	CLG.
CDC-18/12/12	18"	12"	937	1029	1161	8'
CDC-18/12/24	18"	12"	1359	1518	1755	9'
CDC-18/12/36	18"	12"	1465	1689	2032	10'
CDC-24/12/12	24"	18"	990	1108	1293	8'
CDC-24/12/24	24"	12"	1452	1663	1980	9'
CDC-24/12/36	24"	12"	1597	1887	2349	10'
CDC-30/12/12	30"	24"	1042	1188	1425	8'
CDC-30/12/24	30"	12"	1544	1808	2204	9'
CDC-30/12/36	30"	12"	1729	2098	2666	10'
CDC-36/12/12	36"	30"	1095	1280	1557	8'
CDC-36/12/24	36"	18"	1636	1953	2428	9'
CDC-36/12/36	36"	18"	1861	2296	2983	10'
CDC-42/12/12	42"	36"	1148	1359	1676	8'
CDC-42/12/24	42"	24"	1729	2098	2666	9'
CDC-42/12/36	42"	18"	1993	2508	3286	10'
CDC-48/12/12	48"	42"	1201	1438	1808	8'
CDC-48/12/24	48"	30"	1821	2244	2890	9'
CDC-48/12/36	48"	24"	2125	2706	3603	10'

*TRIM REQUIRED ON MODELS EXCEEDING 35" WIDTH AND 30" HEIGHT

JCHIB1-AS



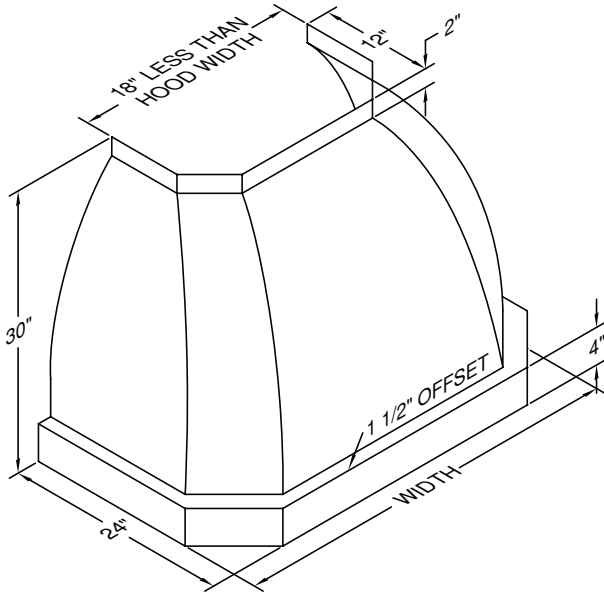
AS SEEN IN ADVERTISING LITERATURE

CFM	WIDTH					
	36"	42"	48"	54"	60"	66"
300 CFM	4,299.00	4,699.00	4,981.00			
600 CFM	4,699.00	4,999.00	5,299.00			
900 CFM			5,699.00	6,499.00	6,799.00	
1200 CFM				6,899.00	7,199.00	7,499.00

Pricing includes matching duct cover for 8' ceiling.
 Priced As Shown with black finish and mirrored SS trim.

JCH1C1 DESIGNER SERIES WALL MOUNT RANGE HOOD

RECOMMENDED MOUNTING HEIGHT FROM COOKING SURFACE: 30"
TRANSITION NOT INCLUDED

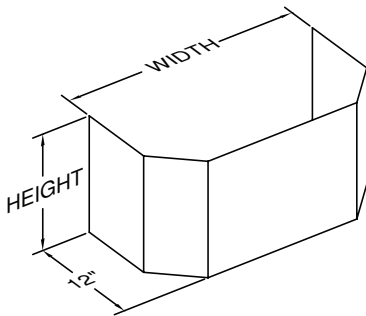


MODEL NO.	WIDTH	PAINTED	STAINLESS	OVERLAY*	#LTS
WITH SINGLE BLOWER (300 CFM)					
JCH136/C1	36"	3399	4314	5796	2
JCH142/C1	42"	3681	4636	6325	3
JCH148/C1	48"	3861	4873	6711	3
WITH DUAL BLOWER (600 CFM)					
JCH236/C1	36"	3781	4734	6180	2
JCH242/C1	42"	4065	5056	6709	3
JCH248/C1	48"	4245	5293	7095	3
WITH DUAL & SINGLE BLOWERS (900 CFM)*					
JCH348/C1	48"	4653	5797	7503	3
JCH354/C1	54"	5212	6550	8502	4
JCH360/C1	60"	5462	6925	9039	4
WITH TWO DUAL BLOWERS (1200 CFM)+					
JCH454/C1	54"	5596	6970	8886	4
JCH460/C1	60"	5846	7345	9423	4
JCH466/C1	66"	6082	7677	9948	4

*FOR OVERLAY HOODS, SPECIFY INTERIOR COLOR

USE VP562 (OPTIONAL) ON 900 CFM MODELS TO COMBINE OUTLETS INTO A SINGLE 10" DUCT.

USE VP563 (OPTIONAL) ON 1200 CFM MODELS TO COMBINE OUTLETS INTO A SINGLE 12" DUCT.



MODEL NO.	WIDTH	PAINTED	STAINLESS	OVERLAY	CLG.
WDCC4-18/12	18"	897	963	1056	9'
WDCC4-18/24	18"	1003	1135	1320	10'
WDCC4-24/12	24"	937	1016	1148	9'
WDCC4-24/24	24"	1082	1240	1504	10'
WDCC4-30/12	30"	963	1069	1240	9'
WDCC4-30/24	30"	1148	1359	1689	10'
WDCC4-36/12	36"	1003	1135	1320	9'
WDCC4-36/24	36"	1227	1478	1861	10'
WDCC4-42/12	42"	1042	1188	1412	9'
WDCC4-42/24	42"	1306	1597	2046	10'
WDCC4-48/12	48"	1082	1240	1504	9'
WDCC4-48/24	48"	1372	1716	2230	10'

JCH/C1-AS



AS SEEN IN ADVERTISING LITERATURE

CFM	WIDTH					
	36"	42"	48"	54"	60"	66"
300 CFM	5,055.00	5,409.00	5,661.00			
600 CFM	5,437.00	5,793.00	6,045.00			
900 CFM			6,453.00	7,084.00	7,406.00	
1200 CFM				7,468.00	7,790.00	8,098.00

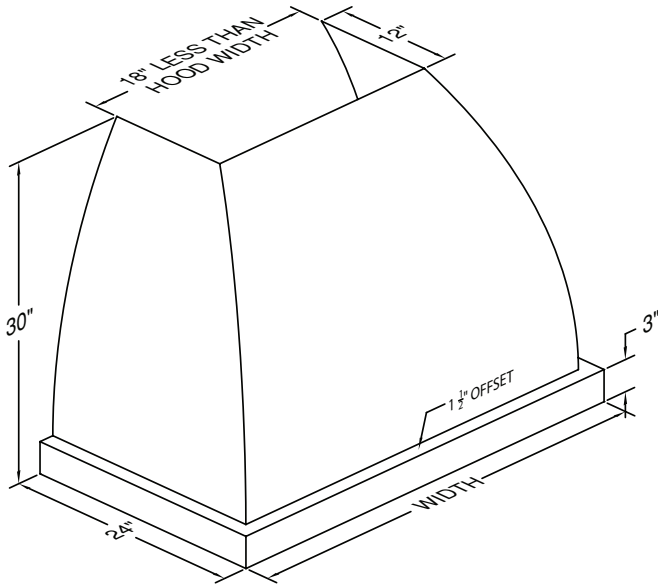
Priced as shown with oil rubbed bronze finish and antiqued copper trim.

USE VP562 (OPTIONAL) ON 900 CFM MODELS TO COMBINE OUTLETS INTO A SINGLE 10" DUCT.

USE VP563 (OPTIONAL) ON 1200 CFM MODELS TO COMBINE OUTLETS INTO A SINGLE 12" DUCT.

JCHIC2 DESIGNER SERIES WALL MOUNT RANGE HOOD

RECOMMENDED MOUNTING HEIGHT FROM COOKING SURFACE: 30"
TRANSITION NOT INCLUDED

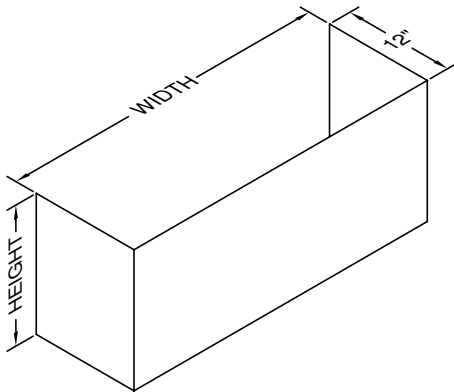


MODEL NO.	WIDTH	PAINTED	STAINLESS	OVERLAY*	#LTS
WITH SINGLE BLOWER (300 CFM)					
JCH136/C2	36"	3264	4198	5689	2
JCH142/C2	42"	3536	4515	6199	3
JCH148/C2	48"	3715	4736	6585	3
WITH DUAL BLOWER (600 CFM)					
JCH236/C2	36"	3648	4618	6073	2
JCH242/C2	42"	3920	4935	6583	3
JCH248/C2	48"	4099	5156	6969	3
WITH DUAL & SINGLE BLOWERS (900 CFM)*					
JCH348/C2	48"	4507	5660	7377	3
JCH354/C2	54"	5188	6430	8499	4
JCH360/C2	60"	5437	6927	9052	4
WITH TWO DUAL BLOWERS (1200 CFM)+					
JCH454/C2	54"	5572	6850	8883	4
JCH460/C2	60"	5821	7347	9436	4
JCH466/C2	66"	6112	7741	10004	4

*FOR OVERLAY HOODS, SPECIFY INTERIOR COLOR

USE VP562 (OPTIONAL) ON 900 CFM MODELS TO COMBINE OUTLETS INTO A SINGLE 10" DUCT.

USE VP563 (OPTIONAL) ON 1200 CFM MODELS TO COMBINE OUTLETS INTO A SINGLE 12" DUCT.



MODEL NO.	WIDTH	PAINTED	STAINLESS	OVERLAY	CLG.
WDCR-18/12	18"	528	594	686	9'
WDCR-18/24	18"	633	765	950	10'
WDCR-24/12	24"	567	646	778	9'
WDCR-24/24	24"	712	884	1135	10'
WDCR-30/12	30"	580	686	844	9'
WDCR-30/24	30"	765	963	1293	10'
WDCR-36/12	36"	620	739	937	9'
WDCR-36/24	36"	831	1082	1465	10'
WDCR-42/12	42"	660	805	1016	9'
WDCR-42/24	42"	910	1201	1636	10'
WDCR-48/12	48"	686	858	1108	9'
WDCR-48/24	48"	976	1306	1821	10'

JCHIC2-AS



AS SEEN IN ADVERTISING LITERATURE

CFM	WIDTH					
	36"	42"	48"	54"	60"	66"
300 CFM	6,108.00	6,416.00	6,631.00			
600 CFM	6,492.00	6,800.00	7,015.00			
900 CFM			7,423.00	8,140.00	8,425.00	
1200 CFM				8,524.00	8,809.00	9,136.00

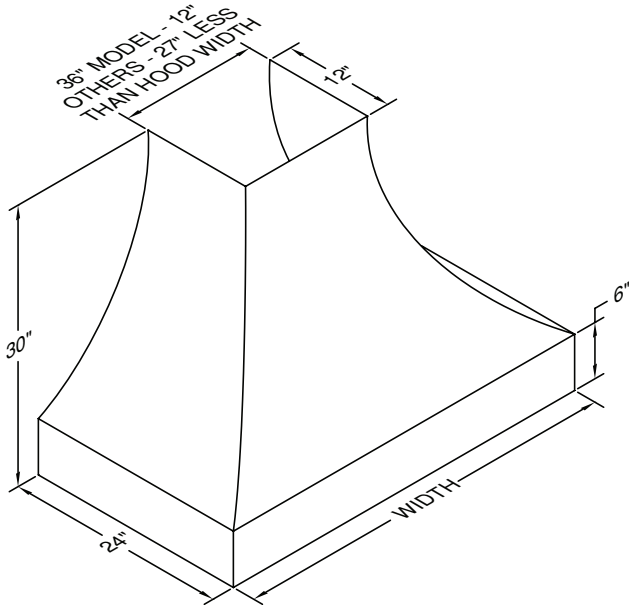
Priced as shown with pewter finish and silvervein trim.

USE VP562 (OPTIONAL) ON 900 CFM MODELS TO COMBINE OUTLETS INTO A SINGLE 10" DUCT.

USE VP563 (OPTIONAL) ON 1200 CFM MODELS TO COMBINE OUTLETS INTO A SINGLE 12" DUCT.

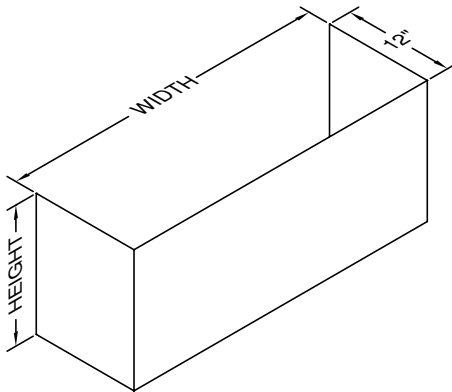
JDHIC1 DESIGNER SERIES WALL MOUNT RANGE HOOD

RECOMMENDED MOUNTING HEIGHT FROM COOKING SURFACE: 30"
TRANSITION INCLUDED IN HOOD



MODEL NO.	WIDTH	PAINTED	STAINLESS	OVERLAY*	#LTS
WITH SINGLE BLOWER (300 CFM)					
JDH136/C1	36"	3264	4198	5689	2
JDH142/C1	42"	3536	4515	6199	3
JDH148/C1	48"	3715	4736	6585	3
WITH DUAL BLOWER (600 CFM)					
JDH236/C1	36"	3648	4618	6073	2
JDH242/C1	42"	3920	4935	6583	3
JDH248/C1	48"	4099	5156	6969	3
WITH DUAL & SINGLE BLOWERS (900 CFM)*					
JDH348/C1	48"	4507	5660	7377	3
JDH354/C1	54"	5188	6430	8499	4
JDH360/C1	60"	5437	6927	9052	4
WITH TWO DUAL BLOWERS (1200 CFM)+					
JDH454/C1	54"	5572	6850	8883	4
JDH460/C1	60"	5821	7347	9436	4
JDH466/C1	66"	6112	7741	10004	4

+FOR OVERLAY HOODS, SPECIFY INTERIOR COLOR
 *VP562 TRANSITION TO 10" ROUND INCLUDED WITH 900 CFM MODELS
 +VP563 TRANSITION TO 12" ROUND INCLUDED WITH 1200 CFM MODELS



MODEL NO.	WIDTH	PAINTED	STAINLESS	OVERLAY	CLG.
WDCR-12/12	12"	475	514	580	9'
WDCR-12/24	12"	541	633	752	10'
WDCR-15/12	15"	501	554	633	9'
WDCR-15/24	15"	594	699	871	10'
WDCR-21/12	21"	541	620	726	9'
WDCR-21/24	21"	673	818	1042	10'
WDCR-27/12	27"	580	673	818	9'
WDCR-27/24	27"	752	937	1227	10'
WDCR-33/12	33"	620	739	910	9'
WDCR-33/24	33"	818	1056	1412	10'
WDCR-39/12	39"	660	792	1003	9'
WDCR-39/24	39"	897	1161	1584	10'

JDHIC1-AS



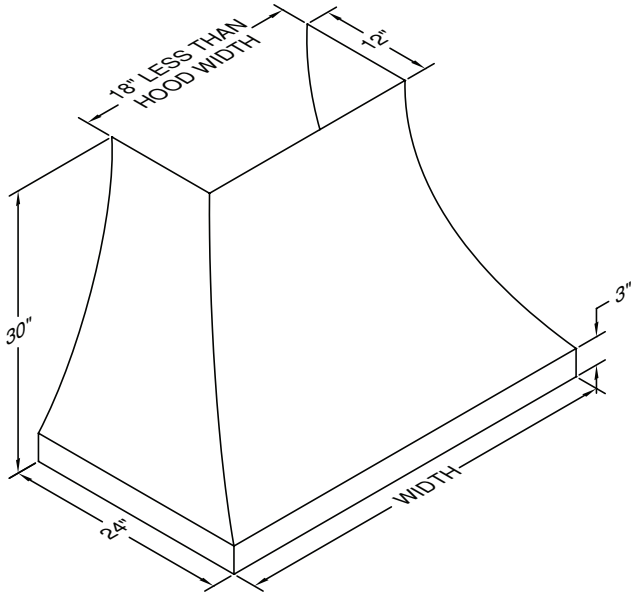
AS SEEN IN ADVERTISING LITERATURE

CFM	WIDTH					
	36"	42"	48"	54"	60"	66"
300 CFM	7,798.60	8,395.00	8,867.40			
600 CFM	8,182.60	8,779.00	9,251.40			
900 CFM			9,659.40	10,867.80	11,507.20	
1200 CFM				11,251.80	11,891.20	12,545.60

Priced as shown with antiqued hammered copper finish and trim.

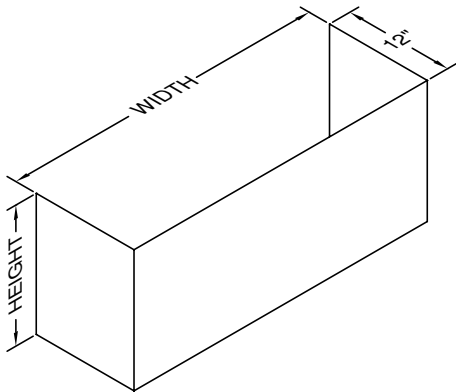
JDHIC2 DESIGNER SERIES WALL MOUNT RANGE HOOD

RECOMMENDED MOUNTING HEIGHT FROM COOKING SURFACE: 30"
TRANSITION INCLUDED IN HOOD



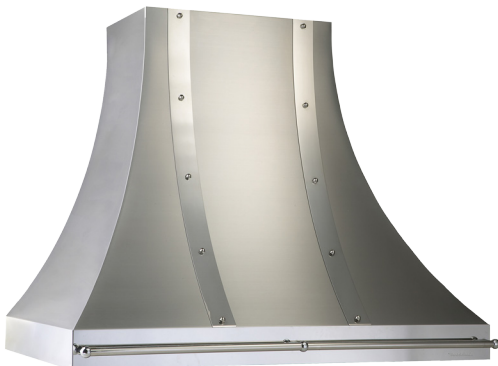
MODEL NO.	WIDTH	PAINTED	STAINLESS	OVERLAY*	#LTS
WITH SINGLE BLOWER (300 CFM)					
JDH136/C2	36"	3264	3999	5689	2
JDH142/C2	42"	3536	4515	6199	3
JDH148/C2	48"	3715	4736	6585	3
WITH DUAL BLOWER (600 CFM)					
JDH236/C2	36"	3648	4299	6073	2
JDH242/C2	42"	3920	4935	6583	3
JDH248/C2	48"	4099	5156	6969	3
WITH DUAL & SINGLE BLOWERS (900 CFM)*					
JDH348/C2	48"	4507	5660	7377	3
JDH354/C2	54"	5188	6430	8499	4
JDH360/C2	60"	5437	6927	9052	4
WITH TWO DUAL BLOWERS (1200 CFM)+					
JDH454/C2	54"	5572	6850	8883	4
JDH460/C2	60"	5821	7347	9436	4
JDH466/C2	66"	6112	7741	10004	4

*FOR OVERLAY HOODS, SPECIFY INTERIOR COLOR
 *VP562 TRANSITION TO 10" ROUND INCLUDED WITH 900 CFM MODELS
 +VP563 TRANSITION TO 12" ROUND INCLUDED WITH 1200 CFM MODELS



MODEL NO.	WIDTH	PAINTED	STAINLESS	AS	OVERLAY	CLG.
WDCR-18/12	18"	528	594	954	686	9'
WDCR-18/24	18"	633	765	1125	950	10'
WDCR-24/12	24"	567	646	1006	778	9'
WDCR-24/24	24"	712	884	1244	1135	10'
WDCR-30/12	30"	580	686	1046	844	9'
WDCR-30/24	30"	765	963	1323	1293	10'
WDCR-36/12	36"	620	739	1099	937	9'
WDCR-36/24	36"	831	1082	1442	1465	10'
WDCR-42/12	42"	660	805	1165	1016	9'
WDCR-42/24	42"	910	1201	1561	1636	10'
WDCR-48/12	48"	686	858	1218	1108	9'
WDCR-48/24	48"	976	1306	1666	1821	10'

JDHIC2-AS



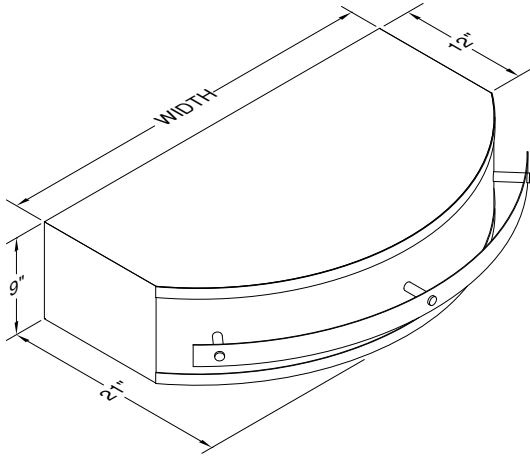
AS SEEN IN ADVERTISING LITERATURE

CFM	WIDTH					
	36"	42"	48"	54"	60"	66"
300 CFM	4,999.00	5,499.00	5,999.00			
600 CFM	4,999.00	5,499.00	6,299.00			
900 CFM			6,499.00	7,499.00	7,999.00	
1200 CFM				7,999.00	8,299.00	8,999.00

Priced as shown with stainless steel finish and mirror stainless trim.

JCWR9 DESIGNER SERIES UNDER CABINET HOOD

**RECOMMENDED MOUNTING HEIGHT
FROM COOKING SURFACE: 24"-27"
TRANSITION NOT INCLUDED**

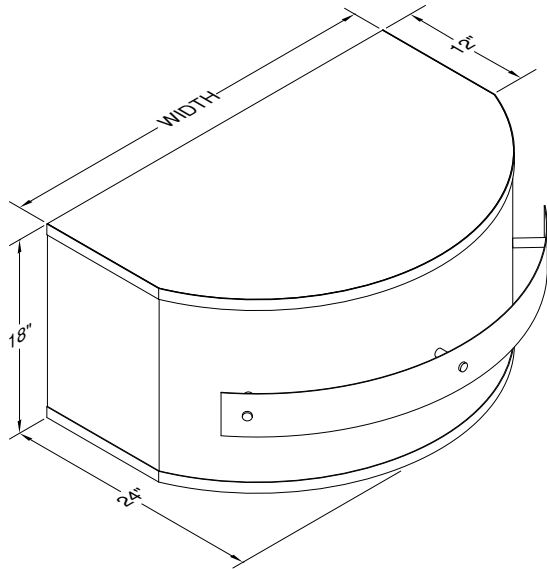


MODEL NO.	WIDTH	STAINLESS	#LTS
WITR SINGLE BLOWER (300 CFM)			
JCWR9-130	30"	1942	2
JCWR9-136	36"	1956	2
JCWR9-142	42"	2182	3
JCWR9-148	48"	2265	3
WITR DUAL BLOWER (600 CFM)			
JCWR9-230	30"	2326	2
JCWR9-236	36"	2340	2
JCWR9-242	42"	2566	3
JCWR9-248	48"	2649	3
WITR DUAL & SINGLE BLOWERS (900 CFM)			
JCWR9-342	42"	2974	3
JCWR9-348	48"	3057	3
WITR TWO DUAL BLOWERS (1200 CFM)			
JCWR9-448	48"	3441	3

**USE VP562 (OPTIONAL) ON 900 CFM MODELS TO COMBINE OUTLETS INTO A SINGLE 10" DUCT.
USE VP563 (OPTIONAL) ON 1200 CFM MODELS TO COMBINE OUTLETS INTO A SINGLE 12" DUCT.**

JCWR18 DESIGNER SERIES WALL MOUNT RANGE HOOD

RECOMMENDED MOUNTING HEIGHT FROM COOKING SURFACE: 30" TRANSITION NOT INCLUDED



MODEL NO.	WIDTH	STAINLESS	#LTS
WITH SINGLE BLOWER (300 CFM)			
JCWR18-130	30"	2871	2
JCWR18-136	36"	2941	2
JCWR18-142	42"	3168	3
JCWR18-148	48"	3278	3
WTR18- DUAL BLOWER (600 CFM)			
JCWR18-230	30"	3255	2
JCWR18-236	36"	3325	2
JCWR18-242	42"	3552	3
JCWR18-248	48"	3662	3
JCWR18-254	54"	4347	4
WTR18- DUAL & SINGLE BLOWERS (900 CFM)			
JCWR18-342	42"	3960	3
JCWR18-348	48"	4070	3
JCWR18-354	54"	4755	4
JCWR18-360	60"	5170	4
WTR18- TWO DUAL BLOWERS (1200 CFM)			
JCWR18-448	48"	4454	3
JCWR18-454	54"	5139	4
JCWR18-460	60"	5554	4
JCWR18-466	66"	5582	4

USE VP562 (OPTIONAL) ON 900 CFM MODELS TO COMBINE OUTLETS INTO A SINGLE 10" DUCT.

USE VP563 (OPTIONAL) ON 1200 CFM MODELS TO COMBINE OUTLETS INTO A SINGLE 12" DUCT.

CUSTOM WALL MOUNT DUCT COVERS

	STAINLESS
WIDTH x HEIGHT x PLUS	0.79 409

ANY WDC SS DUCT COVER MORE THAN 43" TALL WILL HAVE A VERTICAL GRAIN DIRECTION. CUSTOM SIZES MAY BE LIMITED BY RAW MATERIAL SIZE. CONTACT FACTORY FOR FURTHER DETAILS.

FINISHED TOP

	STAINLESS
WIDTH x DEPTH x PLUS	0.79 238

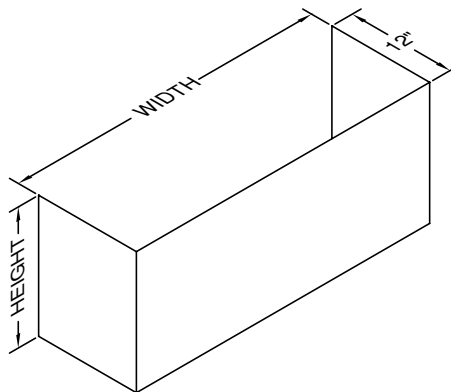
REMOVABLE FRONT PANEL

ADD	238
-----	-----

SLOPED TOP ON DUCT COVER

ADD	409
-----	-----

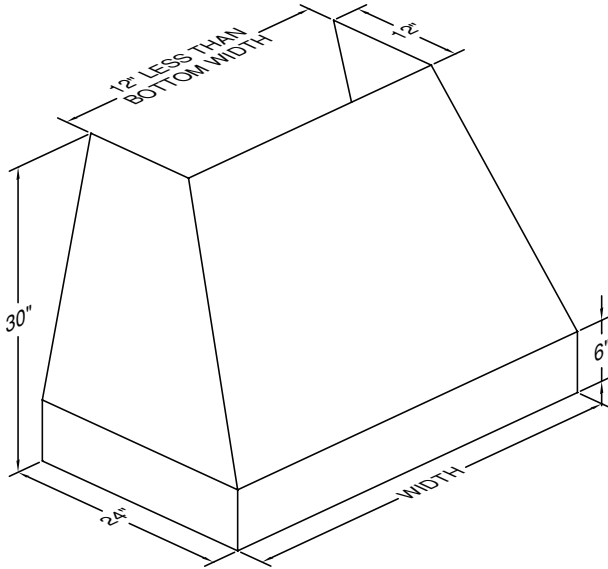
SPECIFY FRONT TO BACK OR LEFT TO RIGHT DIMENSIONS.



MODEL NO.	WIDTH	STAINLESS	CLG.
WDC-30	30"	686	8'
WDC-30/24	30"	963	9'
WDC-30/36	30"	1254	10'
WDC-36	36"	739	8'
WDC-36/24	36"	1082	9'
WDC-36/36	36"	1425	10'
WDC-42	42"	805	8'
WDC-42/24	42"	1201	9'
WDC-42/36	42"	1597	10'
WDC-48	48"	858	8'
WDC-48/24	48"	1306	9'
WDC-48/36	48"	1755	10'
WDC-54	54"	910	8'
WDC-60	60"	963	8'
WDC-66	66"	1029	8'

JPHIC1 DESIGNER SERIES WALL MOUNT RANGE HOOD

RECOMMENDED MOUNTING HEIGHT FROM COOKING SURFACE: 30" TRANSITION NOT INCLUDED

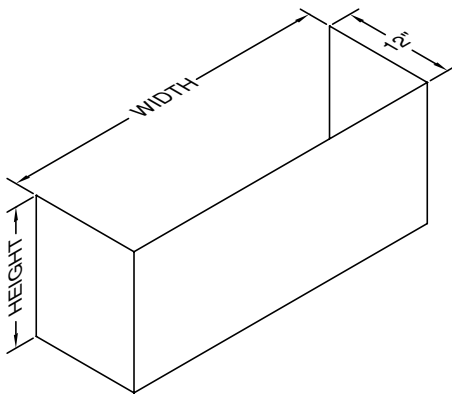


MODEL NO.	WIDTH	PAINTED	STAINLESS	OVERLAY*	#LTS
WITH SINGLE BLOWER (300 CFM)					
JPH136/C1	36"	3264	4198	5689	2
JPH142/C1	42"	3536	4515	6199	3
JPH148/C1	48"	3715	4736	6585	3
WITH DUAL BLOWER (600 CFM)					
JPH236/C1	36"	3648	4618	6073	2
JPH242/C1	42"	3920	4935	6583	3
JPH248/C1	48"	4099	5156	6969	3
WITH DUAL & SINGLE BLOWERS (900 CFM)*					
JPH348/C1	48"	4507	5660	7377	3
JPH354/C1	54"	5188	6430	8499	4
JPH360/C1	60"	5437	6927	9052	4
WITH TWO DUAL BLOWERS (1200 CFM)+					
JPH454/C1	54"	5572	6850	8883	4
JPH460/C1	60"	5821	7347	9436	4
JPH466/C1	66"	6112	7741	10004	4

*FOR OVERLAY HOODS, SPECIFY INTERIOR COLOR

USE VP562 (OPTIONAL) ON 900 CFM MODELS TO COMBINE OUTLETS INTO A SINGLE 10" DUCT.

USE VP563 (OPTIONAL) ON 1200 CFM MODELS TO COMBINE OUTLETS INTO A SINGLE 12" DUCT.



MODEL NO.	WIDTH	PAINTED	STAINLESS	OVERLAY	CLG.
WDCR-24/12	24"	567	646	778	9'
WDCR-24/24	24"	712	884	1135	10'
WDCR-30/12	30"	580	686	844	9'
WDCR-30/24	30"	765	963	1293	10'
WDCR-36/12	36"	620	739	937	9'
WDCR-36/24	36"	831	1082	1465	10'
WDCR-42/12	42"	660	805	1016	9'
WDCR-42/24	42"	910	1201	1636	10'
WDCR-48/12	48"	686	858	1108	9'
WDCR-48/24	48"	976	1306	1821	10'
WDCR-54/12	54"	726	910	1201	9'
WDCR-54/24	54"	1082	1452	2032	10'

JPHIC1-AS



AS SEEN IN ADVERTISING LITERATURE

CFM	WIDTH					
	36"	42"	48"	54"	60"	66"
300 CFM	5,352.00	5,696.00	5,947.00			
600 CFM	5,736.00	6,080.00	6,331.00			
900 CFM			6,739.00	7,492.00	7,813.00	
1200 CFM				7,876.00	8,197.00	8,560.00

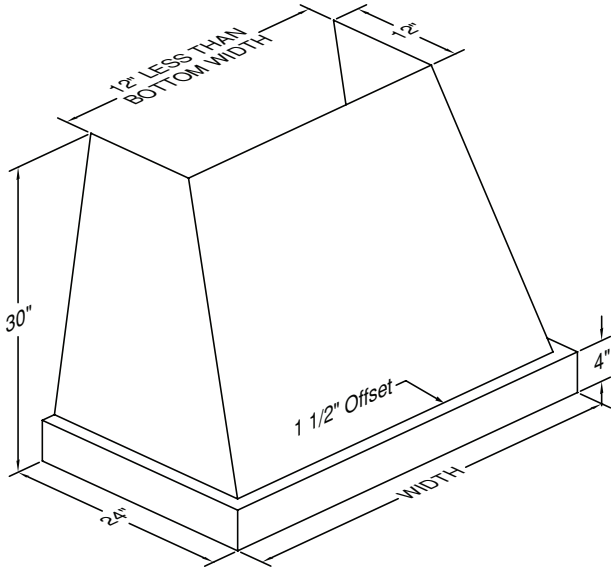
Priced as shown with white finish and mirror stainless steel trim.

USE VP562 (OPTIONAL) ON 900 CFM MODELS TO COMBINE OUTLETS INTO A SINGLE 10" DUCT.

USE VP563 (OPTIONAL) ON 1200 CFM MODELS TO COMBINE OUTLETS INTO A SINGLE 12" DUCT.

JPHIC2 DESIGNER SERIES WALL MOUNT RANGE HOOD

RECOMMENDED MOUNTING HEIGHT FROM COOKING SURFACE: 30" TRANSITION NOT INCLUDED

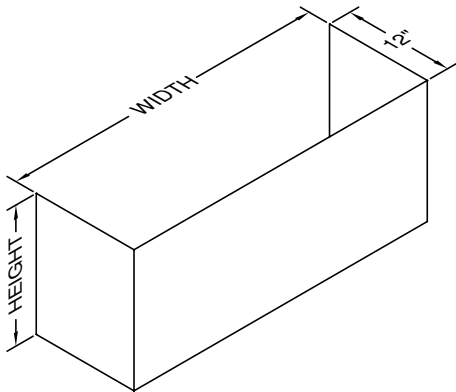


MODEL NO.	WIDTH	PAINTED	STAINLESS	OVERLAY*	#LTS
WITH SINGLE BLOWER (300 CFM)					
JPH136/C2	36"	3264	4198	5689	2
JPH142/C2	42"	3536	4515	6199	3
JPH148/C2	48"	3715	4736	6585	3
WITH DUAL BLOWER (600 CFM)					
JPH236/C2	36"	3648	4618	6073	2
JPH242/C2	42"	3920	4935	6583	3
JPH248/C2	48"	4099	5156	6969	3
WITH DUAL & SINGLE BLOWERS (900 CFM)*					
JPH348/C2	48"	4507	5660	7377	3
JPH354/C2	54"	5188	6430	8499	4
JPH360/C2	60"	5437	6927	9052	4
WITH TWO DUAL BLOWERS (1200 CFM)+					
JPH454/C2	54"	5572	6850	8883	4
JPH460/C2	60"	5821	7347	9436	4
JPH466/C2	66"	6112	7741	10004	4

*FOR OVERLAY HOODS, SPECIFY INTERIOR COLOR

USE VP562 (OPTIONAL) ON 900 CFM MODELS TO COMBINE OUTLETS INTO A SINGLE 10" DUCT.

USE VP563 (OPTIONAL) ON 1200 CFM MODELS TO COMBINE OUTLETS INTO A SINGLE 12" DUCT.



MODEL NO.	WIDTH	PAINTED	STAINLESS	OVERLAY	CLG.
WDCR-24/12	24"	567	646	778	9'
WDCR-24/24	24"	712	884	1135	10'
WDCR-30/12	30"	580	686	844	9'
WDCR-30/24	30"	765	963	1293	10'
WDCR-36/12	36"	620	739	937	9'
WDCR-36/24	36"	831	1082	1465	10'
WDCR-42/12	42"	660	805	1016	9'
WDCR-42/24	42"	910	1201	1636	10'
WDCR-48/12	48"	686	858	1108	9'
WDCR-48/24	48"	976	1306	1821	10'
WDCR-54/12	54"	726	910	1201	9'
WDCR-54/24	54"	1082	1452	2032	10'

JPHIC2-AS



AS SEEN IN ADVERTISING LITERATURE

CFM	WIDTH					
	36"	42"	48"	54"	60"	66"
300 CFM	3,768.00	4,076.00	4,291.00			
600 CFM	4,152.00	4,460.00	4,675.00			
900 CFM			5,083.00	5,800.00	6,085.00	
1200 CFM				6,184.00	6,469.00	6,796.00

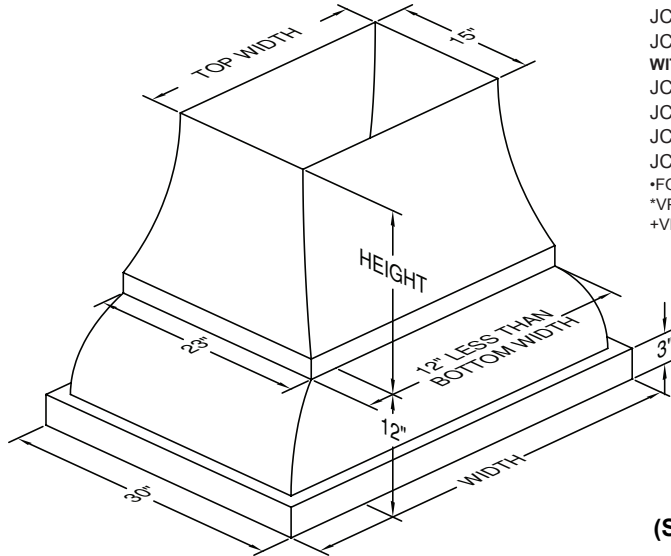
Priced as shown with black finish and stainless steel trim.

USE VP562 (OPTIONAL) ON 900 CFM MODELS TO COMBINE OUTLETS INTO A SINGLE 10" DUCT.

USE VP563 (OPTIONAL) ON 1200 CFM MODELS TO COMBINE OUTLETS INTO A SINGLE 12" DUCT.

JCIH/A1 DESIGNER SERIES ISLAND RANGE HOOD

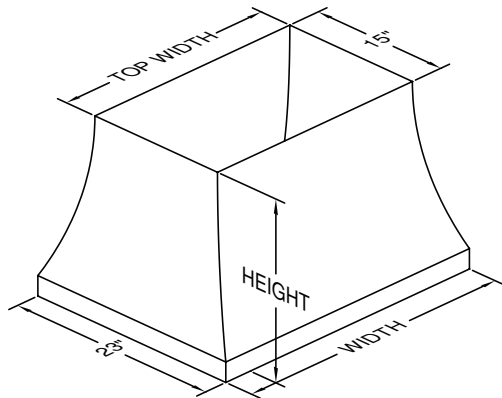
RECOMMENDED MOUNTING HEIGHT FROM COOKING SURFACE: 30"
TRANSITION INCLUDED SEPARATELY



MODEL NO.	WIDTH	TOP W.	PAINTED	STAINLESS	OVERLAY*	#LTS
WITH DUAL BLOWER (550 CFM)*						
JCIH236/A1	36"	24"	3770	4902	6972	4
JCIH242/A1	42"	30"	3897	5139	7236	4
JCIH248/A1	48"	36"	4009	5227	7431	4
JCIH254/A1	54"	42"	4347	5665	8071	4
WITH CLUSTER BLOWER (1100 CFM)+						
JCIH448/A1	48"	36"	4825	6271	8247	4
JCIH454/A1	54"	42"	5163	6709	8887	4
JCIH460/A1	60"	48"	5697	7430	10808	4
JCIH466/A1	66"	54"	5881	7670	11170	4

*FOR OVERLAY HOODS, SPECIFY INTERIOR COLOR
 *VP565 TRANSITION TO 8" ROUND INCLUDED WITH DUAL BLOWER
 +VP564 TRANSITION TO 12" ROUND INCLUDED WITH CLUSTER BLOWER

SHOWN WITH MATCHING DUCT COVER (SOLD SEPARATELY)

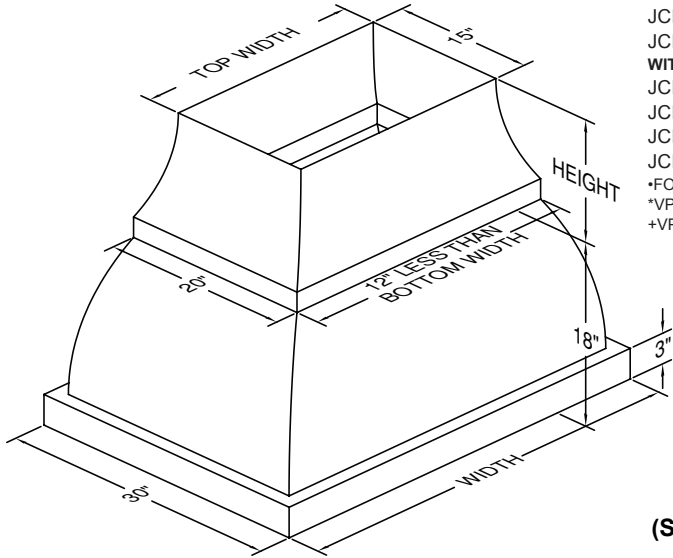


MODEL NO.	WIDTH	TOP W.	PAINTED	STAINLESS	OVERLAY*	CLG.
ICDC-24/15/18	24"	18"	1755	1848	2098	8'
ICDC-24/15/30	24"	15"	1940	2098	2521	9'
ICDC-24/15/42	24"	15"	2125	2349	2943	10'
ICDC-30/15/18	30"	24"	1821	1953	2257	8'
ICDC-30/15/30	30"	18"	2059	2257	2785	9'
ICDC-30/15/42	30"	18"	2296	2574	3313	10'
ICDC-36/15/18	36"	30"	1900	2046	2415	8'
ICDC-36/15/30	36"	24"	2178	2415	3049	9'
ICDC-36/15/42	36"	18"	2455	2798	3669	10'
ICDC-42/15/18	42"	36"	1966	2138	2574	8'
ICDC-42/15/30	42"	30"	2296	2574	3313	9'
ICDC-42/15/42	42"	24"	2613	3009	4039	10'
ICDC-48/15/18	48"	42"	2032	2230	2732	8'
ICDC-48/15/30	48"	36"	2402	2732	3564	9'
ICDC-48/15/42	48"	30"	2785	3234	4408	10'
ICDC-54/15/18	54"	48"	2098	2323	2890	8'
ICDC-54/15/30	54"	42"	2521	2890	3828	9'
ICDC-54/15/42	54"	36"	2943	3458	4765	10'

*TRIM REQUIRED ON MODELS EXCEEDING 35" WIDTH AND 30" HEIGHT

JCIH1B1 DESIGNER SERIES ISLAND RANGE HOOD

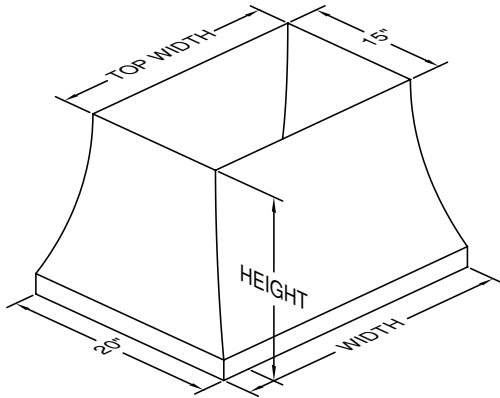
**RECOMMENDED MOUNTING HEIGHT
FROM COOKING SURFACE: 30"
TRANSITION INCLUDED SEPARATELY**



MODEL NO.	WIDTH	TOP W.	PAINTED	STAINLESS	OVERLAY*	#LTS
WITH DUAL BLOWER (550 CFM)*						
JCIH236/B1	36"	24"	3770	4902	6972	4
JCIH242/B1	42"	30"	3897	5139	7236	4
JCIH248/B1	48"	36"	4009	5227	7431	4
JCIH254/B1	54"	42"	4347	5665	8071	4
WITH CLUSTER BLOWER (1100 CFM)+						
JCIH448/B1	48"	36"	4825	6271	8247	4
JCIH454/B1	54"	42"	5163	6709	8887	4
JCIH460/B1	60"	48"	5697	7430	10808	4
JCIH466/B1	66"	54"	5881	7670	11170	4

*FOR OVERLAY HOODS, SPECIFY INTERIOR COLOR
*VP565 TRANSITION TO 8" ROUND INCLUDED WITH DUAL BLOWER
+VP564 TRANSITION TO 12" ROUND INCLUDED WITH CLUSTER BLOWER

**SHOWN WITH
MATCHING
DUCT COVER
(SOLD SEPARATELY)**

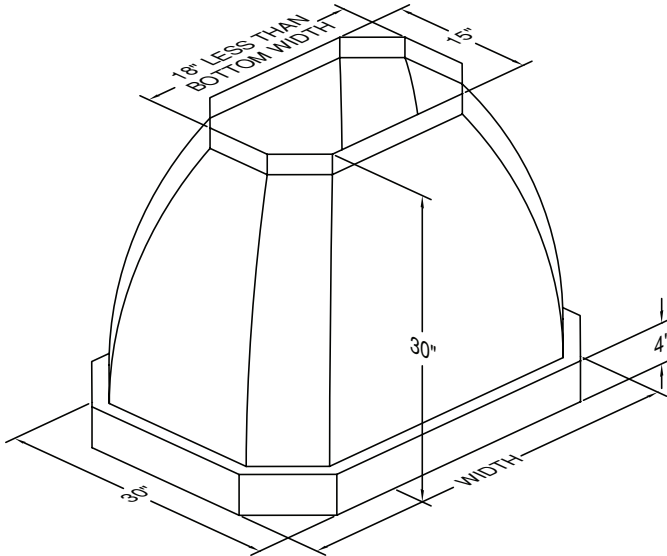


MODEL NO.	WIDTH	TOP W.	PAINTED	STAINLESS	OVERLAY*	CLG.
ICDC-24/15/12	24"	18"	1755	1848	2098	8'
ICDC-24/15/24	24"	18"	1940	2098	2521	9'
ICDC-24/15/36	24"	15"	2125	2349	2943	10'
ICDC-30/15/12	30"	24"	1821	1953	2257	8'
ICDC-30/15/24	30"	18"	2059	2257	2785	9'
ICDC-30/15/36	30"	18"	2296	2574	3313	10'
ICDC-36/15/12	36"	30"	1900	2046	2415	8'
ICDC-36/15/24	36"	24"	2178	2415	3049	9'
ICDC-36/15/36	36"	18"	2455	2798	3669	10'
ICDC-42/15/12	42"	36"	1966	2138	2574	8'
ICDC-42/15/24	42"	30"	2296	2574	3313	9'
ICDC-42/15/36	42"	24"	2613	3009	4039	10'
ICDC-48/15/12	48"	42"	2032	2230	2732	8'
ICDC-48/15/24	48"	36"	2402	2732	3564	9'
ICDC-48/15/36	48"	30"	2785	3234	4408	10'
ICDC-54/15/12	54"	48"	2098	2323	2890	8'
ICDC-54/15/24	54"	42"	2521	2890	3828	9'
ICDC-54/15/36	54"	36"	2943	3458	4765	10'

*TRIM REQUIRED ON MODELS EXCEEDING 35" WIDTH AND 30" HEIGHT

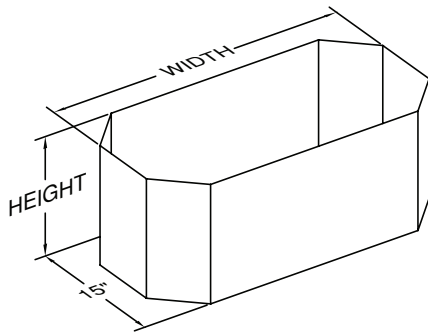
JCIH1C1 DESIGNER SERIES ISLAND RANGE HOOD

**RECOMMENDED MOUNTING HEIGHT
FROM COOKING SURFACE: 30"**
TRANSITION INCLUDED SEPARATELY



MODEL NO.	WIDTH	PAINTED	STAINLESS	OVERLAY*	#LTS
WITH DUAL BLOWER (550 CFM)*					
JCIH236/C1	36"	5196	6577	8631	4
JCIH242/C1	42"	5420	6902	9064	4
JCIH248/C1	48"	5602	7170	9134	4
JCIH254/C1	54"	5995	7720	10195	4
WITH CLUSTER BLOWER (1100 CFM)+					
JCIH448/C1	48"	6418	8214	9950	4
JCIH454/C1	54"	6811	8764	11011	4
JCIH460/C1	60"	7317	9484	12853	4
JCIH466/C1	66"	7584	9852	13369	4

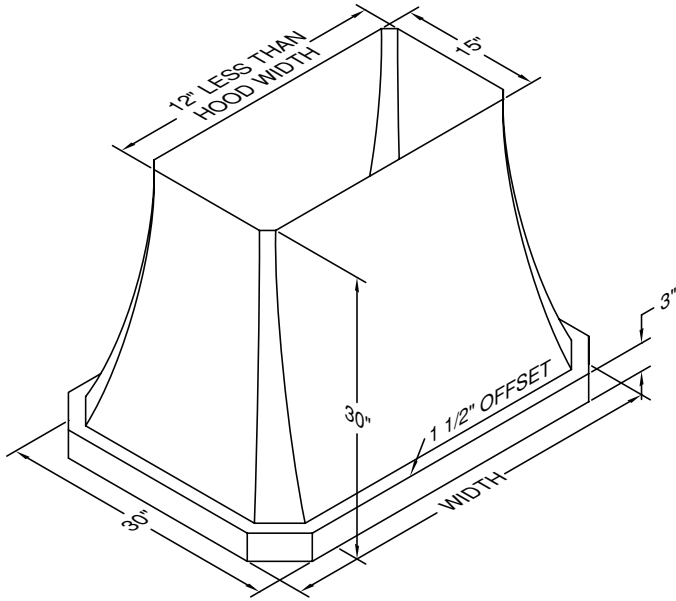
*FOR OVERLAY HOODS, SPECIFY INTERIOR COLOR
*VP565 TRANSITION TO 8" ROUND INCLUDED WITH DUAL BLOWER
+VP564 TRANSITION TO 12" ROUND INCLUDED WITH CLUSTER BLOWER



MODEL NO.	WIDTH	PAINTED	STAINLESS	OVERLAY	CLG.
IDCC4-18/12	18"	1320	1372	1491	9'
IDCC4-18/24	18"	1465	1557	1808	10'
IDCC4-24/12	24"	1372	1425	1597	9'
IDCC4-24/24	24"	1557	1676	2019	10'
IDCC4-30/12	30"	1412	1491	1702	9'
IDCC4-30/24	30"	1650	1808	2230	10'
IDCC4-36/12	36"	1465	1557	1808	9'
IDCC4-36/24	36"	1742	1927	2428	10'
IDCC4-42/12	42"	1504	1623	1914	9'
IDCC4-42/24	42"	1834	2059	2640	10'
IDCC4-48/12	48"	1557	1676	2019	9'
IDCC4-48/24	48"	1927	2178	2851	10'

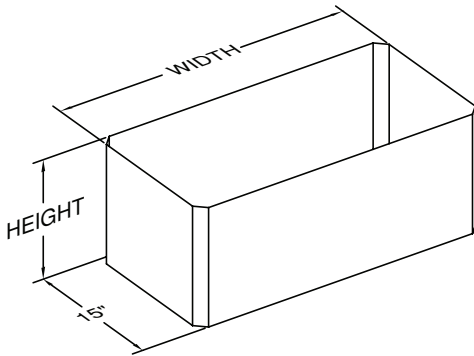
JDIH1C1 DESIGNER SERIES ISLAND RANGE HOOD

**RECOMMENDED MOUNTING HEIGHT
FROM COOKING SURFACE: 30"**
TRANSITION INCLUDED SEPARATELY



MODEL NO.	WIDTH	PAINTED	STAINLESS	OVERLAY*	#LTS
WITH DUAL BLOWER (550 CFM)*					
JDIH236/C1	36"	5196	6577	8631	4
JDIH242/C1	42"	5420	6902	9064	4
JDIH248/C1	48"	5602	7170	9134	4
JDIH254/C1	54"	5995	7720	10195	4
WITH TWO DUAL BLOWERS (1100 CFM)+					
JDIH448/C1	48"	6418	8214	9950	4
JDIH454/C1	54"	6811	8764	11011	4
JDIH460/C1	60"	7317	9484	12853	4
JDIH466/C1	66"	7584	9852	13369	4

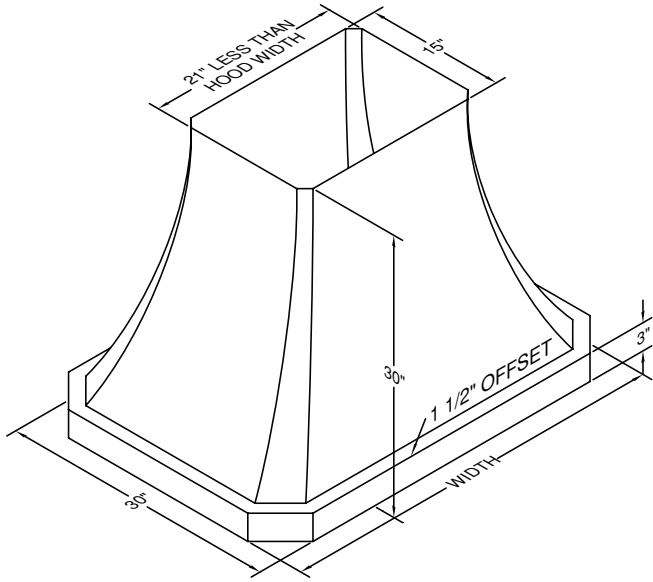
*FOR OVERLAY HOODS, SPECIFY INTERIOR COLOR
*VP565 TRANSITION TO 8" ROUND INCLUDED WITH DUAL BLOWER
+VP564 TRANSITION TO 12" ROUND INCLUDED WITH CLUSTER BLOWER



MODEL NO.	WIDTH	PAINTED	STAINLESS	OVERLAY	CLG.
IDCC1-24/12	24"	1372	1425	1597	9'
IDCC1-24/24	24"	1557	1676	2019	10'
IDCC1-30/12	30"	1412	1491	1702	9'
IDCC1-30/24	30"	1650	1808	2230	10'
IDCC1-36/12	36"	1465	1557	1808	9'
IDCC1-36/24	36"	1742	1927	2428	10'
IDCC1-42/12	42"	1504	1623	1914	9'
IDCC1-42/24	42"	1834	2059	2640	10'
IDCC1-48/12	48"	1557	1676	2019	9'
IDCC1-48/24	48"	1927	2178	2851	10'
IDCC1-54/12	54"	1597	1742	2125	9'
IDCC1-54/24	54"	2019	2310	3062	10'

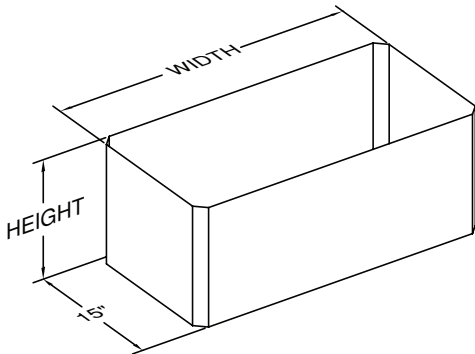
JDIHIC2 DESIGNER SERIES ISLAND RANGE HOOD

RECOMMENDED MOUNTING HEIGHT FROM COOKING SURFACE: 30"
TRANSITION INCLUDED SEPARATELY



MODEL NO.	WIDTH	PAINTED	STAINLESS	OVERLAY*	#LTS
WITH DUAL BLOWER (550 CFM)*					
JDIH236/C2	36"	5196	6577	8631	4
JDIH242/C2	42"	5420	6902	9064	4
JDIH248/C2	48"	5602	7170	9134	4
JDIH254/C2	54"	5995	7720	10195	4
WITH TWO DUAL BLOWERS (1100 CFM)+					
JDIH448/C2	48"	6418	8214	9950	4
JDIH454/C2	54"	6811	8764	11011	4
JDIH460/C2	60"	7317	9484	12853	4
JDIH466/C2	66"	7584	9852	13369	4

*FOR OVERLAY HOODS, SPECIFY INTERIOR COLOR
 *VP565 TRANSITION TO 8" ROUND INCLUDED WITH DUAL BLOWER
 +VP564 TRANSITION TO 12" ROUND INCLUDED WITH CLUSTER BLOWER



MODEL NO.	WIDTH	PAINTED	STAINLESS	OVERLAY	CLG.
IDCC1-15/12	15"	1293	1333	1438	9'
IDCC1-15/24	15"	1412	1491	1702	10'
IDCC1-21/12	21"	1346	1399	1544	9'
IDCC1-21/24	21"	1504	1623	1914	10'
IDCC1-27/12	27"	1386	1465	1650	9'
IDCC1-27/24	27"	1597	1742	2125	10'
IDCC1-33/12	33"	1438	1518	1755	9'
IDCC1-33/24	33"	1689	1874	2323	10'
IDCC1-39/12	39"	1478	1584	1861	9'
IDCC1-39/24	39"	1782	1993	2534	10'
IDCC1-45/12	45"	1531	1650	1966	9'
IDCC1-45/24	45"	1874	2125	2745	10'

JDIHIC2-AS



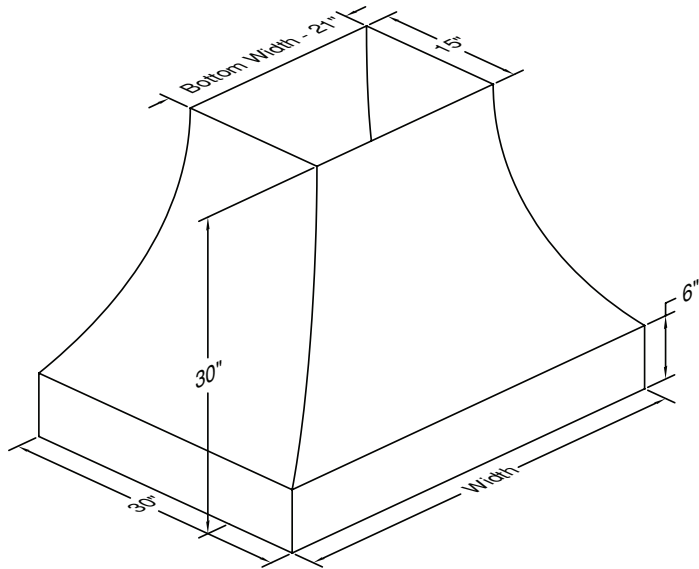
AS SEEN IN ADVERTISING LITERATURE

CFM	WIDTH					
	36"	42"	48"	54"	60"	66"
550 CFM	10,798.20	11,346.40	11,531.60	12,707.80		
1100 CFM			12,347.60	13,523.80	15,481.00	16,112.20

Priced as shown with antiqued hammered copper finish and copper rail.

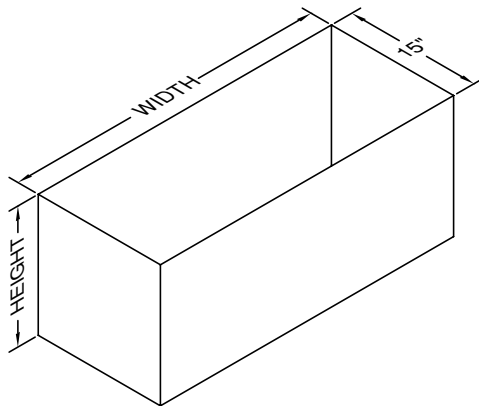
JDIHIC3 DESIGNER SERIES ISLAND RANGE HOOD

**RECOMMENDED MOUNTING HEIGHT
FROM COOKING SURFACE: 30"**
TRANSITION INCLUDED SEPARATELY



MODEL NO.	WIDTH	PAINTED	STAINLESS	OVERLAY*	#LTS
WITH DUAL BLOWER (550 CFM)*					
JDIH236/C3	36"	5196	6577	8631	4
JDIH242/C3	42"	5420	6902	9064	4
JDIH248/C3	48"	5602	7170	9134	4
JDIH254/C3	54"	5995	7720	10195	4
WITH TWO DUAL BLOWERS (1100 CFM)+					
JDIH448/C3	48"	6418	8214	9950	4
JDIH454/C3	54"	6811	8764	11011	4
JDIH460/C3	60"	7317	9484	12853	4
JDIH466/C3	66"	7584	9852	13369	4

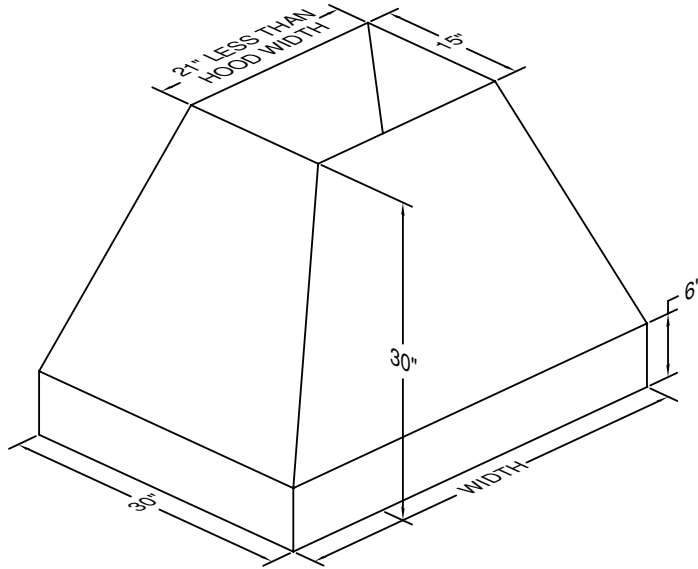
*FOR OVERLAY HOODS, SPECIFY INTERIOR COLOR
*VP565 TRANSITION TO 8" ROUND INCLUDED WITH DUAL BLOWER
+VP564 TRANSITION TO 12" ROUND INCLUDED WITH CLUSTER BLOWER



MODEL NO.	WIDTH	PAINTED	STAINLESS	OVERLAY	CLG.
IDCR-15/12	15"	514	554	660	9'
IDCR-15/24	15"	633	712	924	10'
IDCR-21/12	21"	572	628	774	9'
IDCR-21/24	21"	735	849	1140	10
IDCR-27/12	27"	618	692	879	9'
IDCR-27/24	27"	828	976	1350	10
IDCR-33/12	33"	664	756	984	9'
IDCR-33/24	33"	921	1102	1558	10
IDCR-39/12	39"	711	818	1088	9'
IDCR-39/24	39"	1015	1228	1767	10
IDCR-45/12	45"	758	882	1192	9'
IDCR-45/24	45"	1108	1354	1976	10

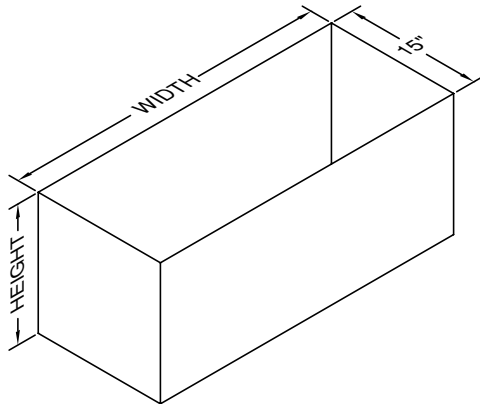
JPIHC1 DESIGNER SERIES ISLAND RANGE HOOD

**RECOMMENDED MOUNTING HEIGHT
FROM COOKING SURFACE: 30"**
TRANSITION INCLUDED SEPARATELY



MODEL NO.	WIDTH	PAINTED	STAINLESS	OVERLAY*	#LTS
WITH DUAL BLOWER (550 CFM)*					
JPIH236/C1	36"	5196	6577	8631	4
JPIH242/C1	42"	5420	6902	9064	4
JPIH248/C1	48"	5602	7170	9134	4
JPIH254/C1	54"	5995	7720	10195	4
WITH TWO DUAL BLOWERS (1100 CFM)+					
JPIH448/C1	48"	6418	8214	9950	4
JPIH454/C1	54"	6811	8764	11011	4
JPIH460/C1	60"	7317	9484	12853	4
JPIH466/C1	66"	7584	9852	13369	4

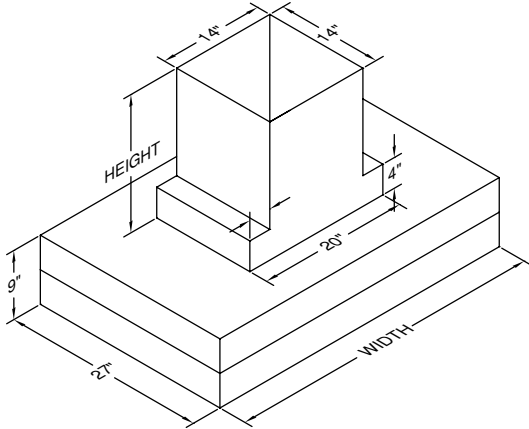
*FOR OVERLAY HOODS, SPECIFY INTERIOR COLOR
*VP565 TRANSITION TO 8" ROUND INCLUDED WITH DUAL BLOWER
+VP564 TRANSITION TO 12" ROUND INCLUDED WITH CLUSTER BLOWER



MODEL NO.	WIDTH	PAINTED	STAINLESS	OVERLAY	CLG.
IDCR-15/12	15"	514	554	660	9'
IDCR-15/24	15"	633	712	924	10'
IDCR-21/12	21"	572	628	774	9'
IDCR-21/24	21"	735	849	1140	10
IDCR-27/12	27"	618	692	879	9'
IDCR-27/24	27"	828	976	1350	10
IDCR-33/12	33"	664	756	984	9'
IDCR-33/24	33"	921	1102	1558	10
IDCR-39/12	39"	711	818	1088	9'
IDCR-39/24	39"	1015	1228	1767	10
IDCR-45/12	45"	758	882	1192	9'
IDCR-45/24	45"	1108	1354	1976	10

CIEH9 CONTEMPORARY ISLAND RANGE HOOD

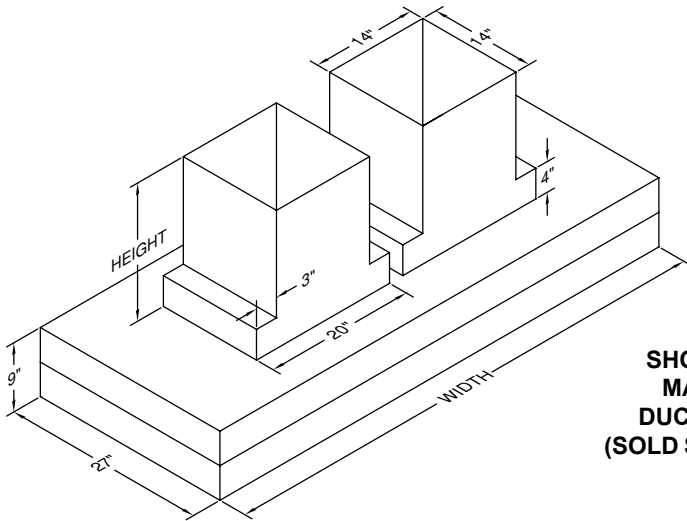
RECOMMENDED MOUNTING HEIGHT FROM COOKING SURFACE: 30"
TRANSITION(S) INCLUDED SEPARATELY



SHOWN WITH MATCHING DUCT COVER (SOLD SEPARATELY)

MODEL NO.	WIDTH	PAINTED	STAINLESS	#LTS
WITH DUAL BLOWER (550 CFM)*				
CIEH9-236	36"	3456	4381	4
CIEH9-242	42"	3482	4542	4
CIEH9-248	48"	3668	4796	4
CIEH9-254	54"	3975	5186	4

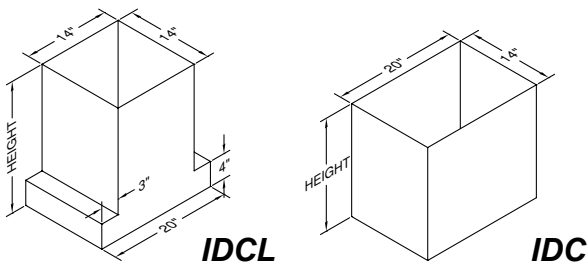
*VP565 TRANSITION TO 8" ROUND INCLUDED WITH DUAL BLOWER



SHOWN WITH MATCHING DUCT COVERS (SOLD SEPARATELY)

MODEL NO.	WIDTH	PAINTED	STAINLESS	#LTS
WITH TWO DUAL BLOWERS (1100 CFM)+				
CIEH9-2+260	60"	5322	6921	6
CIEH9-2+266	66"	5484	7152	6

+VP565 TRANSITION TO 8" ROUND INCLUDED WITH EACH DUAL BLOWER



CUSTOM ISLAND DUCT COVERS

	PAINTED	STAINLESS
WIDTH x HEIGHT x PLUS	0.64	0.87
	409	

ANY IDCL SS DUCT COVER MORE THAN 43" TALL WILL HAVE A VERTICAL GRAIN DIRECTION. CUSTOM SIZES MAY BE LIMITED BY RAW MATERIAL SIZE. CONTACT FACTORY FOR FURTHER DETAILS.

ANY IDC SS DUCT COVER MORE THAN 45" TALL WILL HAVE A VERTICAL GRAIN DIRECTION. CUSTOM SIZES MAY BE LIMITED BY RAW MATERIAL SIZE. CONTACT FACTORY FOR FURTHER DETAILS.

MODEL NO.	WIDTH	PAINTED	STAINLESS	CLG.
IDCL-14/20/9	20"	514	554	7'
IDCL-14/20/21	20"	673	765	8'
IDCL-14/20/33	20"	831	963	9'

MODEL NO.	WIDTH	PAINTED	STAINLESS	CLG.
IDC-14/20/9	20"	514	554	7'
IDC-14/20/21	20"	673	765	8'
IDC-14/20/33	20"	831	963	9'
IDC-14/20/45	20"	976	1068	10'

REMOVABLE PANEL

SPECIFY SIDE	
ADD	238

SLOPED TOP ON DUCT COVER

ADD	409
SPECIFY FRONT TO BACK OR LEFT TO RIGHT DIMENSIONS.	

CIEH9 CONTEMPORARY ISLAND HOOD VARIATIONS

WIDTHS OVER 66"

FOR EACH 6" SEGMENT PLUS

PAINTED	211	STAINLESS	277
PLUS		238	

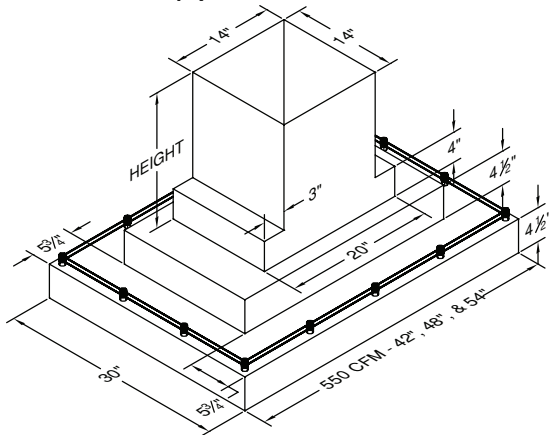
SPECIAL WIDTH (LESS THAN 66")

USE NEXT LARGEST SIZE ON PRICE LIST PLUS

238

CILH9 CONTEMPORARY ISLAND RANGE HOOD

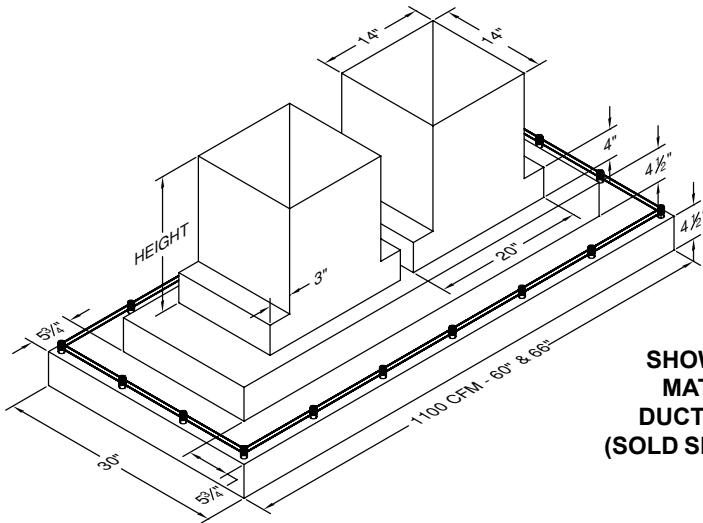
RECOMMENDED MOUNTING HEIGHT FROM COOKING SURFACE: 30"
TRANSITION(S) INCLUDED SEPARATELY



SHOWN WITH MATCHING DUCT COVER (SOLD SEPARATELY)

MODEL NO.	WIDTH	PAINTED	STAINLESS	#LTS
WITH DUAL BLOWER (550 CFM)*				
CILH9-242	42"	3482	4542	4
CILH9-248	48"	3668	4796	4
CILH9-254	54"	3975	5198	4

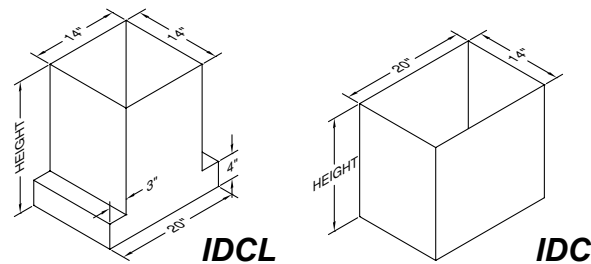
*VP565 TRANSITION TO 8" ROUND INCLUDED WITH DUAL BLOWER



SHOWN WITH MATCHING DUCT COVERS (SOLD SEPARATELY)

MODEL NO.	WIDTH	PAINTED	STAINLESS	#LTS
WITH TWO DUAL BLOWERS (1100 CFM)+				
CILH9-2+260	60"	5444	6921	6
CILH9-2+266	66"	5484	7152	6

+VP565 TRANSITION TO 8" ROUND INCLUDED WITH EACH DUAL BLOWER



MODEL NO.	WIDTH	PAINTED	STAINLESS	CLG.
IDCL-14/20/9	20"	514	554	7'
IDCL-14/20/21	20"	673	765	8'
IDCL-14/20/33	20"	831	963	9'

MODEL NO.	WIDTH	PAINTED	STAINLESS	CLG.
IDC-14/20/9	20"	514	554	7'
IDC-14/20/21	20"	673	765	8'
IDC-14/20/33	20"	831	963	9'
IDC-14/20/45	20"	976	1068	10'

CUSTOM ISLAND DUCT COVERS

	PAINTED	STAINLESS
WIDTH x HEIGHT x PLUS	0.64	0.87
	409	

ANY IDCL SS DUCT COVER MORE THAN 43" TALL WILL HAVE A VERTICAL GRAIN DIRECTION. CUSTOM SIZES MAY BE LIMITED BY RAW MATERIAL SIZE. CONTACT FACTORY FOR FURTHER DETAILS.

REMOVABLE PANEL

SPECIFY SIDE ADD	238
------------------	-----

SLOPED TOP ON DUCT COVER

ADD	409
-----	-----

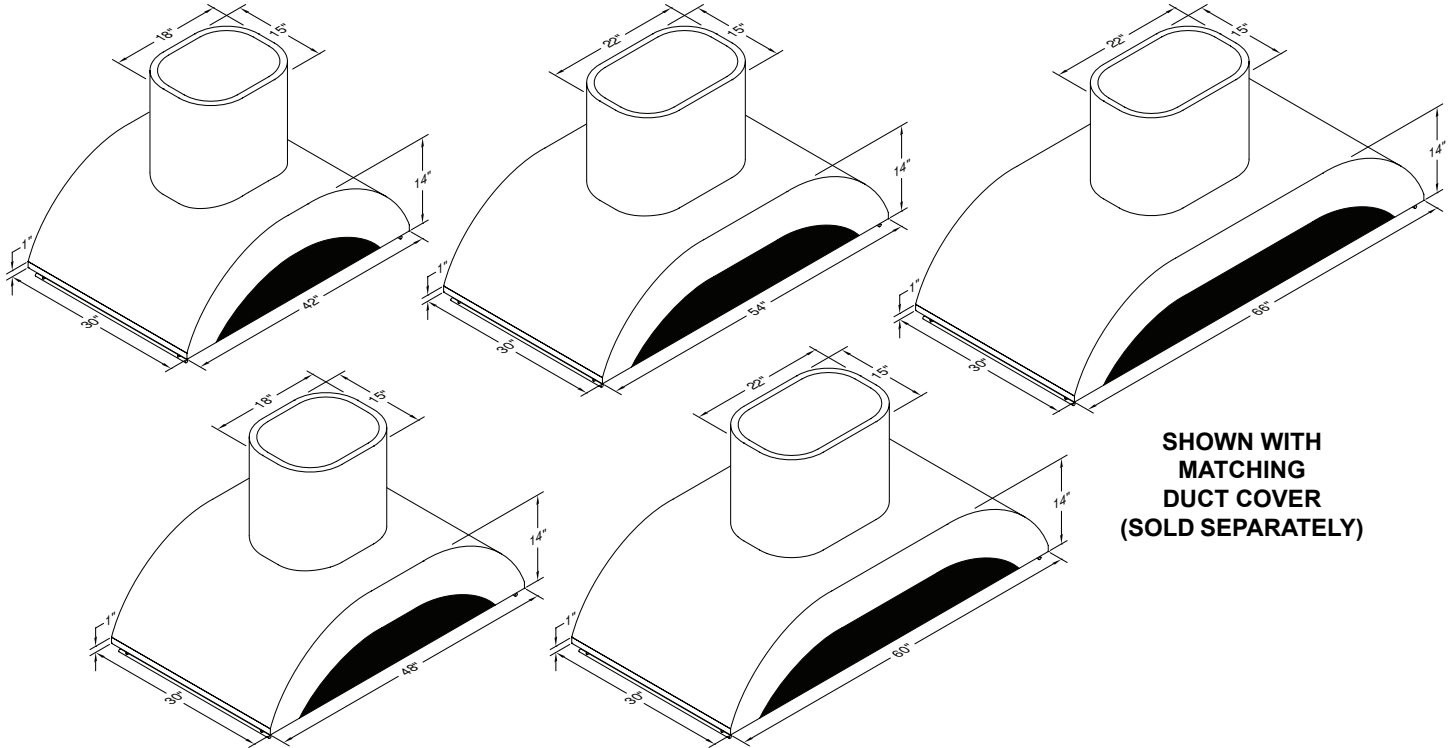
SPECIFY FRONT TO BACK OR LEFT TO RIGHT DIMENSIONS.

CILH9 CONTEMPORARY ISLAND HOOD VARIATIONS

WIDTHS OVER 66"			SPECIAL WIDTH (LESS THAN 66")
FOR EACH 6" SEGMENT	PAINTED 211	STAINLESS 277	USE NEXT LARGEST SIZE ON PRICE LIST
PLUS	238		PLUS 238
	REMOVE GALLEY RAIL		
	TO REMOVE RAIL, NO CHARGE		

IZTH CONTEMPORARY ISLAND RANGE HOOD

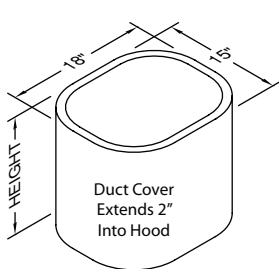
**RECOMMENDED MOUNTING HEIGHT
FROM COOKING SURFACE: 30"**
TRANSITION INCLUDED SEPARATELY



**SHOWN WITH
MATCHING
DUCT COVER
(SOLD SEPARATELY)**

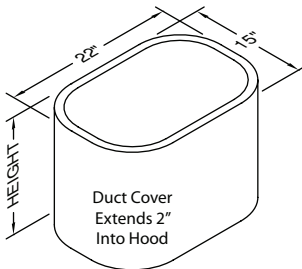
IZTH VARIATIONS	
REMOVE FIXED LENGTH SS RAIL	
ADD	409

MODEL NO.	WIDTH	STAINLESS	#LTS
WITH DUAL BLOWER (550 CFM)*			
IZTH-242	42"	5481	4
IZTH-248	48"	5601	4
WITH CLUSTER BLOWER (1100 CFM)+			
IZTH-454	54"	7272	4
IZTH-460	60"	7831	4
IZTH-466	66"	8101	4
*VP565 TRANSITION TO 8" ROUND INCLUDED WITH DUAL BLOWER			
+VP564 TRANSITION TO 12" ROUND INCLUDED WITH CLUSTER BLOWER			



(FOR 42" AND 48" MODELS)

MODEL NO.	WIDTH	STAINLESS	CLG.
IZDC-18/6	18"	501	7'
IZDC-18/18	18"	686	8'
IZDC-18/30	18"	871	9'



(FOR 54", 60" & 66" MODELS)

MODEL NO.	WIDTH	STAINLESS	CLG.
IZDC-22/6	22"	514	7'
IZDC-22/18	22"	739	8'
IZDC-22/30	22"	963	9'

CUSTOM ISLAND DUCT COVERS

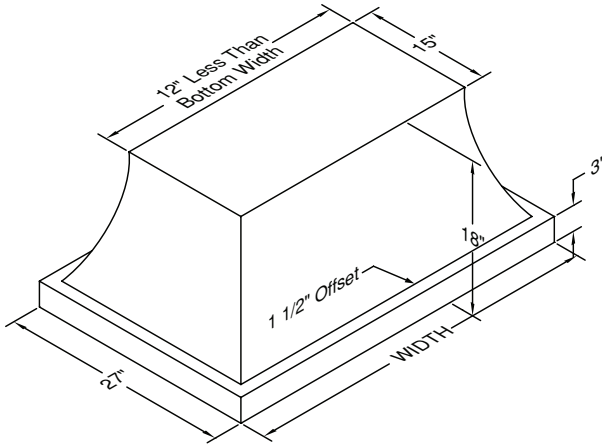
WIDTH x HEIGHT x PLUS	STAINLESS
42" x 18" x 7'	0.87
48" x 18" x 8'	409

NOTE: DUCT COVER EXTENDS 2" INTO HOOD.
NOTE: WHEN PRICING CUSTOM DUCT COVERS, INCLUDE THE 2" OF DUCT COVER THAT EXTENDS INTO TOP OF HOOD.
NOTE: MAXIMUM OVERALL AVAILABLE HEIGHT IS 48"; 46" IS THE FINISHED HEIGHT ABOVE THE TOP OF THE HOOD.
NOTE: WHEN PRICING CUSTOM DUCT COVERS, INCLUDE THE 2" OF DUCT COVER THAT EXTENDS INTO TOP OF HOOD.

**NOTE: DUCT COVER WILL HAVE
A VISIBLE SEAM ON ONE SIDE.**

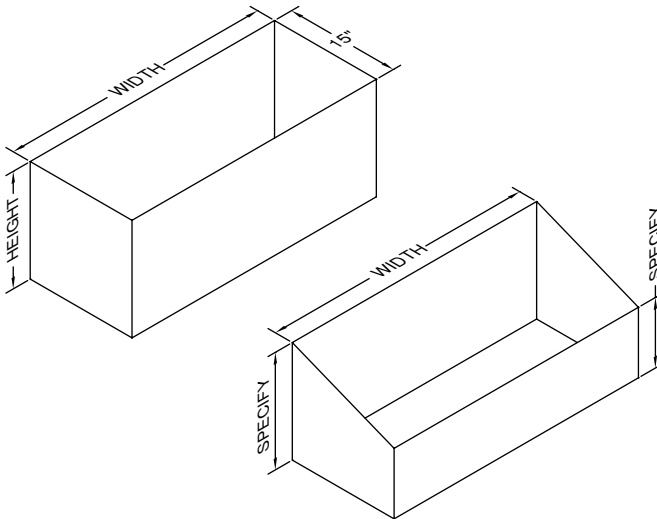
ISFH18 ISLAND RANGE HOOD

RECOMMENDED MOUNTING HEIGHT FROM COOKING SURFACE: 30"
TRANSITION(S) INCLUDED SEPARATELY



MODEL NO.	WIDTH	PAINTED	STAINLESS	OVERLAY*	#LTS
WITH DUAL BLOWER (550 CFM)*					
ISFH18-236	36"	3456	4501	6412	4
ISFH18-242	42"	3576	4662	6639	4
ISFH18-248	48"	3668	4796	6825	4
ISFH18-254	54"	3975	5198	7411	4
WITH TWO DUAL BLOWERS (1100 CFM)+					
ISFH18-2+260	60"	5284	6872	9969	6
ISFH18-2+266	66"	5444	7100	10302	6

*FOR OVERLAY HOODS, SPECIFY INTERIOR COLOR
 *VP565 TRANSITION TO 8" ROUND INCLUDED WITH DUAL BLOWER
 +VP565 TRANSITION TO 8" ROUND INCLUDED WITH EACH DUAL BLOWER



MODEL NO.	WIDTH	PAINTED	STAINLESS	OVERLAY	CLG.
IDC-36	24"	594	646	818	8'
IDC-42	30"	633	712	924	8'
IDC-48	36"	686	778	1016	8'
IDC-54	42"	726	831	1122	8'
IDC-60	48"	778	897	1227	8'
IDC-66	54"	818	963	1333	8'

CUSTOM ISLAND DUCT COVERS

	PAINTED	STAINLESS	OVERLAY
WIDTH x HEIGHT x PLUS	0.64	0.87	1.45
		409	

ANY IDC SS DUCT COVER MORE THAN 45" TALL WILL HAVE A VERTICAL GRAIN DIRECTION. CUSTOM SIZES MAY BE LIMITED BY RAW MATERIAL SIZE. CONTACT FACTORY FOR FURTHER DETAILS.

REMOVABLE PANEL

SPECIFY SIDE ADD	238
------------------	-----

SLOPED TOP ON DUCT COVER

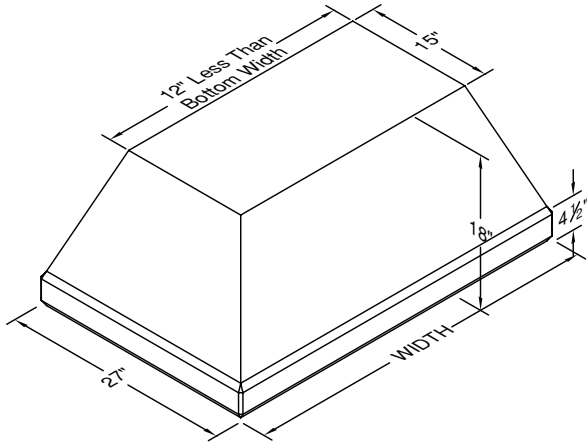
ADD	409
-----	-----

SPECIFY FRONT TO BACK OR LEFT TO RIGHT DIMENSIONS.

ISFH18 ISLAND HOOD VARIATIONS				
WIDTHS OVER 66"				
FOR EACH 6" INCREMENT PLUS	PAINTED 211	STAINLESS 277	OVERLAY 435	
SPECIAL WIDTH (LESS THAN 66") USE NEXT LARGEST SIZE ON PRICE LIST, PLUS		238		
SPECIAL HEIGHT (BETWEEN 9" & 18") USE STANDARD 18" PRICE, PLUS		409		
DEPTH OVER 27"				
WIDTH x EXTRA DEPTH x PLUS	PAINTED 1.32	STAINLESS 2.14	OVERLAY 2.61	
SLOPE, LIP, OFFSET, OR TOP VARIATION PER VARIATION, ADD		409		
CLIPPED CORNER PER CORNER, ADD		409		
VERTICAL END PER END, ADD				409
SPECIAL BLOWER LOCATION LEFT TO RIGHT, SPECIFY COLLAR CENTERLINE ADD				238
SPECIAL DECK (9" MINIMUM, 18" STANDARD) ADD				238
STAINLESS STEEL INTERIOR ON OVERLAY HOOD SUBTRACT PAINTED PRICE OF HOOD FROM STAINLESS PRICE OF HOOD				
ADDITIONAL BLOWERS & LIGHTS SEE PAGE 86 FOR BLOWER OPTIONS				
REMOTE BLOWER OPTIONS SEE PAGES 86-87 FOR REMOTE BLOWER OPTIONS				
CUSTOM COLOR (SEE CUSTOM COLOR CHART) ADD				720
TRIM OPTIONS SEE PAGES 92-93 FOR FINISH AND TRIM OPTIONS				

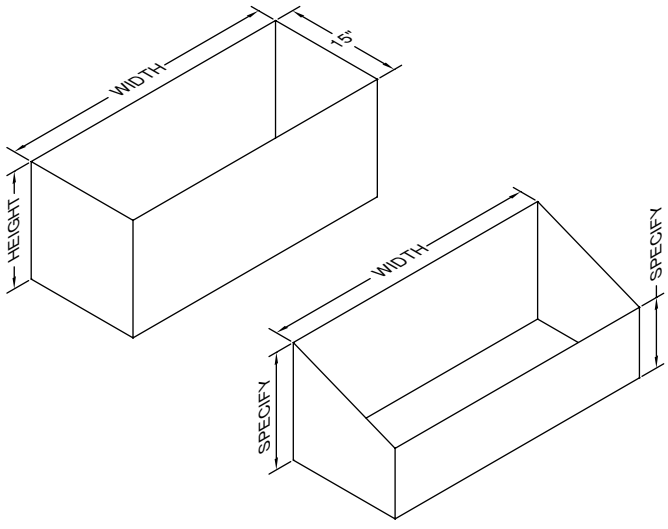
ISLH18 ISLAND RANGE HOOD

RECOMMENDED MOUNTING HEIGHT FROM COOKING SURFACE: 30" TRANSITION(S) INCLUDED SEPARATELY



MODEL NO.	WIDTH	PAINTED	STAINLESS	#LTS
WITH DUAL BLOWER (550 CFM)*				
ISLH18-236	36"	3456	4501	4
ISLH18-242	42"	3482	4542	4
ISLH18-248	48"	3576	4662	4
ISLH18-254	54"	3868	5037	4
WITH TWO DUAL BLOWERS (1100 CFM)+				
ISLH18-2+260	60"	5284	6872	6
ISLH18-2+266	66"	5444	7100	6

*VP565 TRANSITION TO 8" ROUND INCLUDED WITH DUAL BLOWER
+VP565 TRANSITION TO 8" ROUND INCLUDED WITH EACH DUAL BLOWER



MODEL NO.	WIDTH	PAINTED	STAINLESS	CLG.
IDC-36	24"	594	646	8'
IDC-42	30"	633	712	8'
IDC-48	36"	686	778	8'
IDC-54	42"	726	831	8'
IDC-60	48"	778	897	8'
IDC-66	54"	818	963	8'

CUSTOM ISLAND DUCT COVERS

	PAINTED	STAINLESS
WIDTH x HEIGHT x PLUS	0.64	0.87
		409

ANY IDC SS DUCT COVER MORE THAN 45" TALL WILL HAVE A VERTICAL GRAIN DIRECTION. CUSTOM SIZES MAY BE LIMITED BY RAW MATERIAL SIZE. CONTACT FACTORY FOR FURTHER DETAILS.

REMOVABLE PANEL

SPECIFY SIDE	
ADD	238

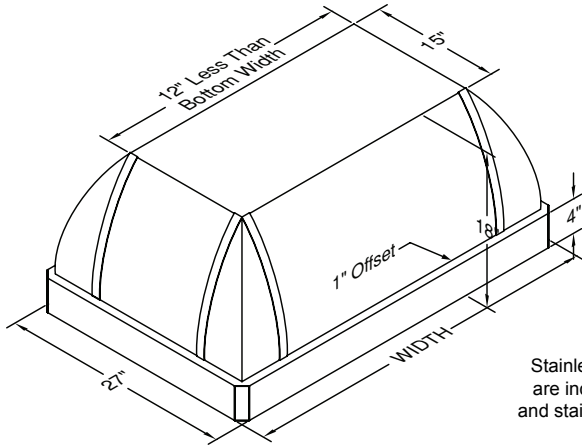
SLOPED TOP ON DUCT COVER

ADD	409
SPECIFY FRONT TO BACK OR LEFT TO RIGHT DIMENSIONS.	

ISLH18 ISLAND HOOD VARIATIONS				
WIDTHS OVER 66"				SLOPE, LIP, OFFSET, OR TOP VARIATION
FOR EACH 6" INCREMENT PLUS	PAINTED 211	STAINLESS 277		PER VARIATION, ADD 409
SPECIAL WIDTH (LESS THAN 66")				SPECIAL BLOWER LOCATION
USE NEXT LARGEST SIZE ON PRICE LIST, PLUS			238	LEFT TO RIGHT, SPECIFY COLLAR CENTERLINE
SPECIAL HEIGHT (BETWEEN 9" & 18")				ADD 238
USE STANDARD 18" PRICE, PLUS			409	SPECIAL DECK (9" MINIMUM, 18" STANDARD)
DEPTH OVER 27"				ADD 238
WIDTH x EXTRA DEPTH x PLUS	PAINTED 1.32	STAINLESS 2.14		ADDITIONAL BLOWERS & LIGHTS
			409	SEE PAGE 86 FOR BLOWER OPTIONS
				REMOTE BLOWER OPTIONS
				SEE PAGES 86-87 FOR REMOTE BLOWER OPTIONS
				CUSTOM COLOR (SEE CUSTOM COLOR CHART)
				ADD 720
				TRIM OPTIONS
				SEE PAGES 92-93 FOR FINISH AND TRIM OPTIONS

IXRH18 ISLAND RANGE HOOD

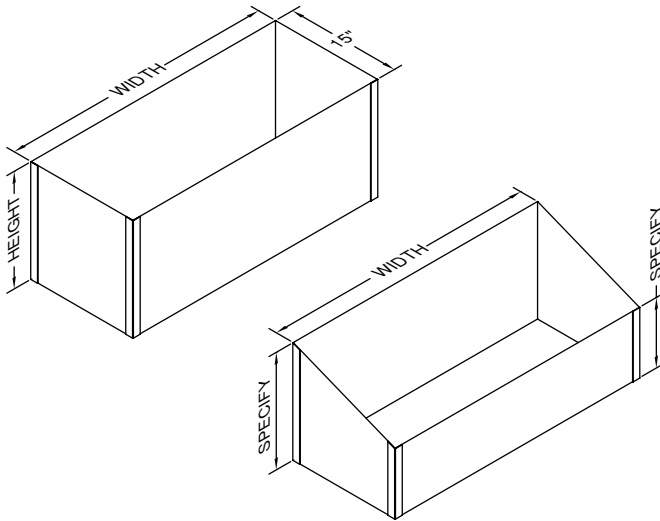
RECOMMENDED MOUNTING HEIGHT FROM COOKING SURFACE: 30"
TRANSITION(S) INCLUDED SEPARATELY



Stainless steel 1" bands are included on painted and stainless steel models.

MODEL NO.	WIDTH	PAINTED	STAINLESS	OVERLAY*	#LTS
WITH DUAL BLOWER (550 CFM)*					
IXRH18-236	36"	3456	4501	6412	4
IXRH18-242	42"	3576	4662	6639	4
IXRH18-248	48"	3668	4796	6825	4
IXRH18-254	54"	3975	5198	7411	4
WITH TWO DUAL BLOWERS (1100 CFM)+					
IXRH18-2+260	60"	5284	6872	9969	6
IXRH18-2+266	66"	5444	7100	10302	6

*FOR OVERLAY HOODS, SPECIFY INTERIOR COLOR
 *NO BANDS ON OVERLAY MODELS
 *VP565 TRANSITION TO 8" ROUND INCLUDED WITH DUAL BLOWER
 +VP565 TRANSITION TO 8" ROUND INCLUDED WITH EACH DUAL BLOWER



MODEL NO.	WIDTH	PAINTED	STAINLESS	OVERLAY	CLG.
XIDC-36	24"	594	646	818	8'
XIDC-42	30"	633	712	924	8'
XIDC-48	36"	686	778	1016	8'
XIDC-54	42"	726	831	1122	8'
XIDC-60	48"	778	897	1227	8'
XIDC-66	54"	818	963	1333	8'

CUSTOM ISLAND DUCT COVERS

	PAINTED	STAINLESS	OVERLAY
WIDTH x HEIGHT x PLUS	0.64	0.87	1.45
		409	

ANY IDC SS DUCT COVER MORE THAN 45" TALL WILL HAVE A VERTICAL GRAIN DIRECTION. CUSTOM SIZES MAY BE LIMITED BY RAW MATERIAL SIZE. CONTACT FACTORY FOR FURTHER DETAILS.

REMOVABLE PANEL

SPECIFY SIDE ADD	238
------------------	-----

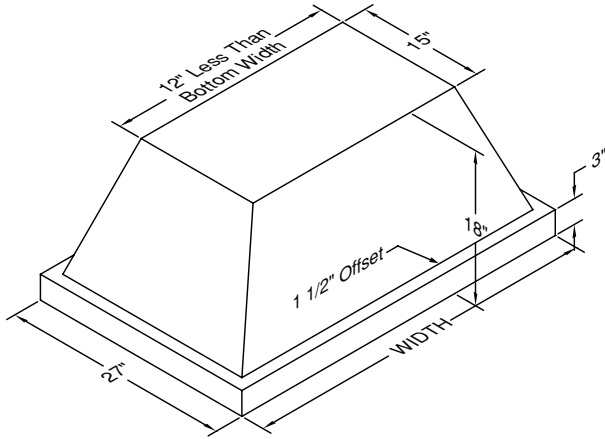
SLOPED TOP ON DUCT COVER

ADD	409
SPECIFY FRONT TO BACK OR LEFT TO RIGHT DIMENSIONS.	

IXRH18 ISLAND HOOD VARIATIONS				
WIDTHS OVER 66"				
FOR EACH 6" INCREMENT	PAINTED 211	STAINLESS 277	OVERLAY 435	
PLUS		238		
SPECIAL WIDTH (LESS THAN 66")				
USE NEXT LARGEST SIZE ON PRICE LIST, PLUS		238		
SPECIAL HEIGHT (BETWEEN 9" & 18")				
USE STANDARD 18" PRICE, PLUS		409		
DEPTH OVER 27"				
WIDTH x EXTRA DEPTH x PLUS	PAINTED 1.32	STAINLESS 2.14	OVERLAY 2.61	
		409		
SLOPE, LIP, OFFSET, OR TOP VARIATION				
PER VARIATION, ADD		409		
SPECIAL BLOWER LOCATION				
LEFT TO RIGHT, SPECIFY COLLAR CENTERLINE				
ADD				238
SPECIAL DECK (9" MINIMUM, 18" STANDARD)				
ADD				238
STAINLESS STEEL INTERIOR ON OVERLAY HOOD				
SUBTRACT PAINTED PRICE OF HOOD FROM STAINLESS PRICE OF HOOD				
ADDITIONAL BLOWERS & LIGHTS				
SEE PAGE 86 FOR BLOWER OPTIONS				
REMOTE BLOWER OPTIONS				
SEE PAGES 86-87 FOR REMOTE BLOWER OPTIONS				
CUSTOM COLOR (SEE CUSTOM COLOR CHART)				
ADD				720
TRIM OPTIONS				
BANDS, NON-STANDARD COLOR				118
TO REMOVE BANDS				118
SEE PAGES 92-93 FOR ADDITIONAL FINISH AND TRIM OPTIONS				

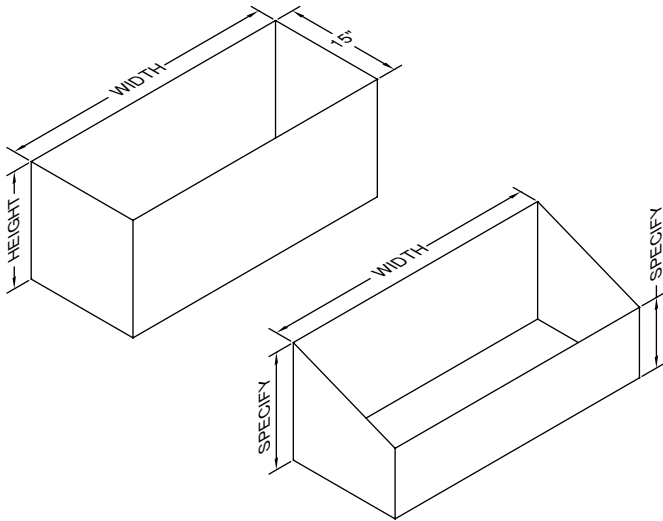
PYH18 ISLAND RANGE HOOD

RECOMMENDED MOUNTING HEIGHT FROM COOKING SURFACE: 30"
TRANSITION(S) INCLUDED SEPARATELY



MODEL NO.	WIDTH	PAINTED	STAINLESS	OVERLAY*	#LTS
WITH DUAL BLOWER (550 CFM)*					
PYH18-236	36"	3456	4501	6412	4
PYH18-242	42"	3576	4662	6639	4
PYH18-248	48"	3668	4796	6825	4
PYH18-254	54"	3975	5198	7411	4
WITH TWO DUAL BLOWERS (1100 CFM)+					
PYH18-2+260	60"	5284	6872	9969	6
PYH18-2+266	66"	5444	7100	10302	6

*FOR OVERLAY HOODS, SPECIFY INTERIOR COLOR
 *VP565 TRANSITION TO 8" ROUND INCLUDED WITH DUAL BLOWER
 +VP565 TRANSITION TO 8" ROUND INCLUDED WITH EACH DUAL BLOWER



MODEL NO.	WIDTH	PAINTED	STAINLESS	OVERLAY	CLG.
IDC-36	24"	594	646	818	8'
IDC-42	30"	633	712	924	8'
IDC-48	36"	686	778	1016	8'
IDC-54	42"	726	831	1122	8'
IDC-60	48"	778	897	1227	8'
IDC-66	54"	818	963	1333	8'

CUSTOM ISLAND DUCT COVERS

	PAINTED	STAINLESS	OVERLAY
WIDTH x HEIGHT x PLUS	0.64	0.87	1.45
		409	

ANY IDC SS DUCT COVER MORE THAN 45" TALL WILL HAVE A VERTICAL GRAIN DIRECTION. CUSTOM SIZES MAY BE LIMITED BY RAW MATERIAL SIZE. CONTACT FACTORY FOR FURTHER DETAILS.

REMOVABLE PANEL

SPECIFY SIDE	
ADD	238

SLOPED TOP ON DUCT COVER

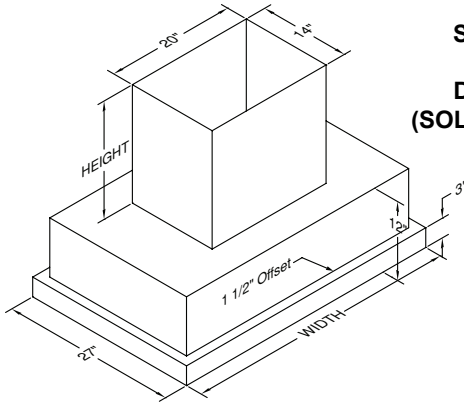
ADD	409
SPECIFY FRONT TO BACK OR LEFT TO RIGHT DIMENSIONS.	

PYH18 ISLAND HOOD VARIATIONS

WIDTHS OVER 66"				VERTICAL END
FOR EACH 6" INCREMENT	PAINTED 211	STAINLESS 277	OVERLAY 435	PER END, ADD 409
PLUS				SPECIAL BLOWER LOCATION
SPECIAL WIDTH (LESS THAN 66")				LEFT TO RIGHT, SPECIFY COLLAR CENTERLINE
USE NEXT LARGEST SIZE ON PRICE LIST,				ADD 238
PLUS		238		SPECIAL DECK (9" MINIMUM, 18" STANDARD)
SPECIAL HEIGHT (BETWEEN 9" & 18")				ADD 238
USE STANDARD 18" PRICE,				STAINLESS STEEL INTERIOR ON OVERLAY HOOD
PLUS		409		SUBTRACT PAINTED PRICE OF HOOD FROM STAINLESS PRICE OF HOOD
DEPTH OVER 27"				ADDITIONAL BLOWERS & LIGHTS
WIDTH x EXTRA DEPTH x	PAINTED 1.32	STAINLESS 2.14	OVERLAY 2.61	SEE PAGE 86 FOR BLOWER OPTIONS
PLUS		409		REMOTE BLOWER OPTIONS
SLOPE, LIP, OFFSET, OR TOP VARIATION				SEE PAGES 86-87 FOR REMOTE BLOWER OPTIONS
PER VARIATION, ADD		409		CUSTOM COLOR (SEE CUSTOM COLOR CHART)
CLIPPED CORNER				ADD 720
PER CORNER, ADD		409		TRIM OPTIONS
				SEE PAGES 92-93 FOR FINISH AND TRIM OPTIONS

COH ISLAND RANGE HOOD

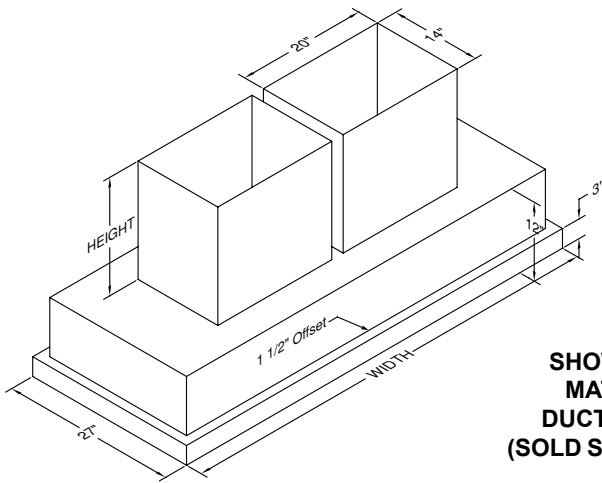
RECOMMENDED MOUNTING HEIGHT FROM COOKING SURFACE: 30"
TRANSITION(S) INCLUDED SEPARATELY



SHOWN WITH MATCHING DUCT COVER (SOLD SEPARATELY)

MODEL NO.	WIDTH	PAINTED	STAINLESS	OVERLAY*	#LTS
WITH DUAL BLOWER (550 CFM)*					
COH-236	36"	3456	4501	6412	4
COH-242	42"	3576	4662	6639	4
COH-248	48"	3668	4796	6825	4
COH-254	54"	3975	5198	7411	4

*FOR OVERLAY HOODS, SPECIFY INTERIOR COLOR
 *VP565 TRANSITION TO 8" ROUND INCLUDED WITH DUAL BLOWER



SHOWN WITH MATCHING DUCT COVERS (SOLD SEPARATELY)

MODEL NO.	WIDTH	PAINTED	STAINLESS	OVERLAY*	#LTS
WITH TWO DUAL BLOWERS (1100 CFM)+					
COH-2+260	60"	5284	6872	9969	6
COH-2+266	66"	5444	7100	10302	6

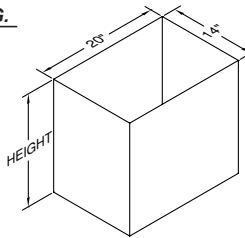
*FOR OVERLAY HOODS, SPECIFY INTERIOR COLOR
 +VP565 TRANSITION TO 8" ROUND INCLUDED WITH EACH DUAL BLOWER

MODEL NO.	WIDTH	PAINTED	STAINLESS	OVERLAY	CLG.
IDC-14/20/18	20"	633	712	924	8"

CUSTOM ISLAND DUCT COVERS

	PAINTED	STAINLESS	OVERLAY
WIDTH x HEIGHT x PLUS	0.64	0.87	1.45
		409	

ANY IDC SS DUCT COVER MORE THAN 45" TALL WILL HAVE A VERTICAL GRAIN DIRECTION. CUSTOM SIZES MAY BE LIMITED BY RAW MATERIAL SIZE. CONTACT FACTORY FOR FURTHER DETAILS.



REMOVABLE PANEL	
SPECIFY SIDE	
ADD	238
SLOPED TOP ON DUCT COVER	
ADD	409
SPECIFY FRONT TO BACK OR LEFT TO RIGHT DIMENSIONS.	

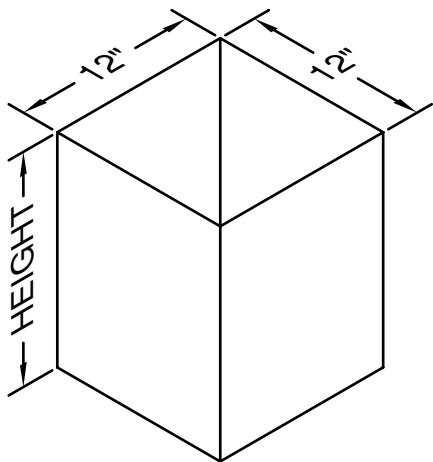
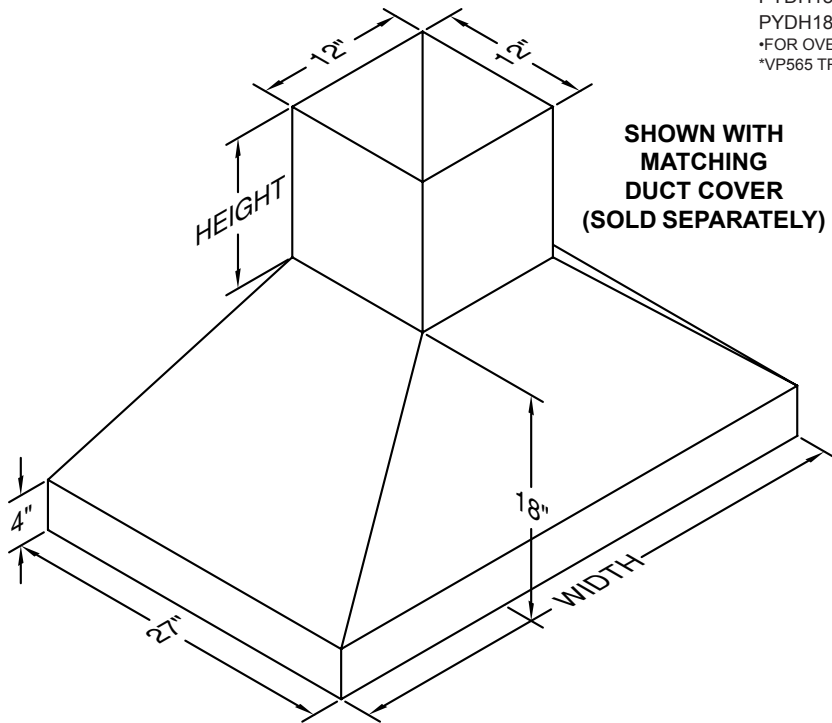
COH ISLAND HOOD VARIATIONS				
WIDTHS OVER 66"				
FOR EACH 6" INCREMENT	PAINTED	STAINLESS	OVERLAY	
PLUS	211	277	435	
		238		
SPECIAL WIDTH (LESS THAN 66")				
USE NEXT LARGEST SIZE ON PRICE LIST,				
PLUS		238		
SPECIAL HEIGHT (BETWEEN 9" & 12")				
USE STANDARD 12" PRICE,				
PLUS		409		
DEPTH OVER 27"				
WIDTH x EXTRA DEPTH x	PAINTED	STAINLESS	OVERLAY	
PLUS	1.32	2.14	2.61	
		409		
SPECIAL BLOWER LOCATION				
LEFT TO RIGHT, SPECIFY COLLAR CENTERLINE				
ADD		238		
SLOPE, LIP, OFFSET, OR TOP VARIATION				
PER VARIATION, ADD				409
ROUNDED CORNER				
NO OFFSETS OR LIP, MINIMUM 4 INCH RADIUS				
PER CORNER, ADD				238
SPECIAL DECK (9" MINIMUM)				
ADD				238
STAINLESS STEEL INTERIOR ON OVERLAY HOOD				
SUBTRACT PAINTED PRICE OF HOOD FROM STAINLESS PRICE OF HOOD				
ADDITIONAL BLOWERS & LIGHTS				
SEE PAGE 86 FOR BLOWER OPTIONS				
REMOTE BLOWER OPTIONS				
SEE PAGES 86-87 FOR REMOTE BLOWER OPTIONS				
CUSTOM COLOR (SEE CUSTOM COLOR CHART)				
ADD				720
TRIM OPTIONS				
SEE PAGES 92-93 FOR FINISH AND TRIM OPTIONS				

PYDH18 EURO-STYLE ISLAND RANGE HOOD

RECOMMENDED MOUNTING HEIGHT FROM COOKING SURFACE: 30"
TRANSITION INCLUDED SEPARATELY

MODEL NO.	WIDTH	PAINTED	STAINLESS	OVERLAY*	#LTS
WITH DUAL BLOWER (550 CFM)*					
PYDH18-236	36"	3362	3999	6400	4
PYDH18-242	42"	3482	4399	6639	4
PYDH18-248	48"	3668	4796	6825	4

*FOR OVERLAY HOODS, SPECIFY INTERIOR COLOR
 *VP565 TRANSITION TO 8" ROUND INCLUDED WITH DUAL BLOWER



MODEL NO.	WIDTH	PAINTED	STAINLESS	OVERLAY	CLG.
IDC-12/12	12"	501	528	607	8'
IDC-12/24	12"	594	646	818	9'
IDC-12/36	12"	686	778	1016	10'

CUSTOM ISLAND DUCT COVERS

	PAINTED	STAINLESS	OVERLAY
WIDTH x HEIGHT x PLUS	0.64	0.87	1.45
		409	

ANY IDC SS DUCT COVER MORE THAN 45" TALL WILL HAVE A VERTICAL GRAIN DIRECTION. CUSTOM SIZES MAY BE LIMITED BY RAW MATERIAL SIZE. CONTACT FACTORY FOR FURTHER DETAILS.

REMOVABLE PANEL

SPECIFY SIDE ADD	238
------------------	-----

SLOPED TOP ON DUCT COVER

ADD	409
SPECIFY FRONT TO BACK OR LEFT TO RIGHT DIMENSIONS.	

PYDH18 EURO-STYLE ISLAND HOOD VARIATIONS

SPECIAL WIDTH (LESS THAN 48") USE NEXT LARGEST SIZE ON PRICE LIST, PLUS	238		
DEPTH OVER 27"	PAINTED	STAINLESS	OVERLAY
WIDTH x EXTRA DEPTH x PLUS	1.32	2.14	2.61
		409	

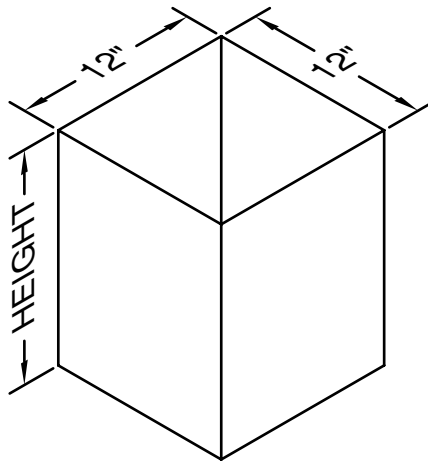
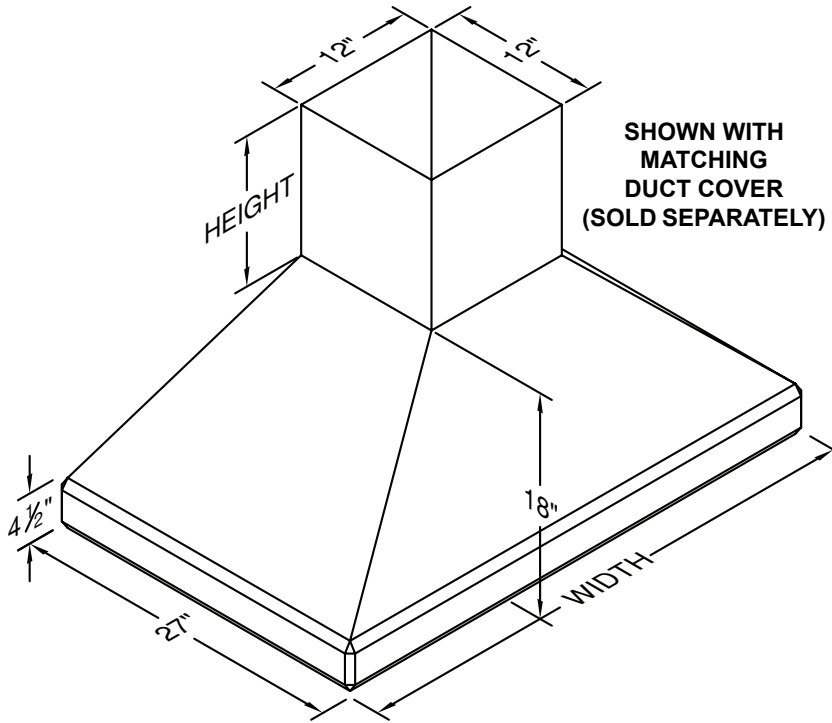
STAINLESS STEEL INTERIOR ON OVERLAY HOOD SUBTRACT PAINTED PRICE OF HOOD FROM STAINLESS PRICE OF HOOD	
REMOTE BLOWER OPTIONS SEE PAGES 86-87 FOR REMOTE BLOWER OPTIONS	
CUSTOM COLOR (SEE CUSTOM COLOR CHART) ADD	720
TRIM OPTIONS SEE PAGES 92-93 FOR FINISH AND TRIM OPTIONS	

ISDH18 EURO-STYLE ISLAND RANGE HOOD

**RECOMMENDED MOUNTING HEIGHT
FROM COOKING SURFACE: 30"
TRANSITION INCLUDED SEPARATELY**

MODEL NO.	WIDTH	PAINTED	STAINLESS	#LTS
WITH DUAL BLOWER (550 CFM)*				
ISDH18-236	36"	3882	4930	4
ISDH18-242	42"	4002	5091	4
ISDH18-248	48"	4095	5211	4

*VP565 TRANSITION TO 8" ROUND INCLUDED WITH DUAL BLOWER



MODEL NO.	WIDTH	PAINTED	STAINLESS	CLG.
IDC-12/12	12"	501	528	8'
IDC-12/24	12"	594	646	9'
IDC-12/36	12"	686	778	10'

CUSTOM ISLAND DUCT COVERS

	PAINTED	STAINLESS
WIDTH x HEIGHT x PLUS	0.64	0.87
		409

ANY IDC SS DUCT COVER MORE THAN 45" TALL WILL HAVE A VERTICAL GRAIN DIRECTION. CUSTOM SIZES MAY BE LIMITED BY RAW MATERIAL SIZE. CONTACT FACTORY FOR FURTHER DETAILS.

REMOVABLE PANEL

SPECIFY SIDE	
ADD	238

SLOPED TOP ON DUCT COVER

ADD	409
SPECIFY FRONT TO BACK OR LEFT TO RIGHT DIMENSIONS.	

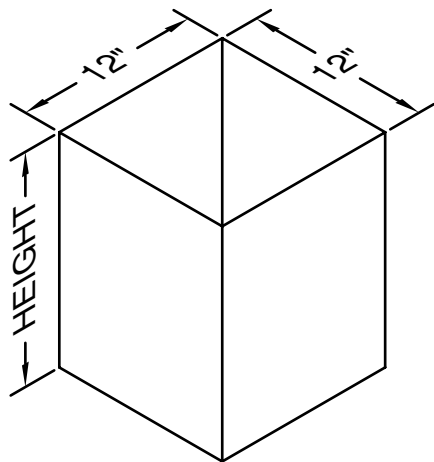
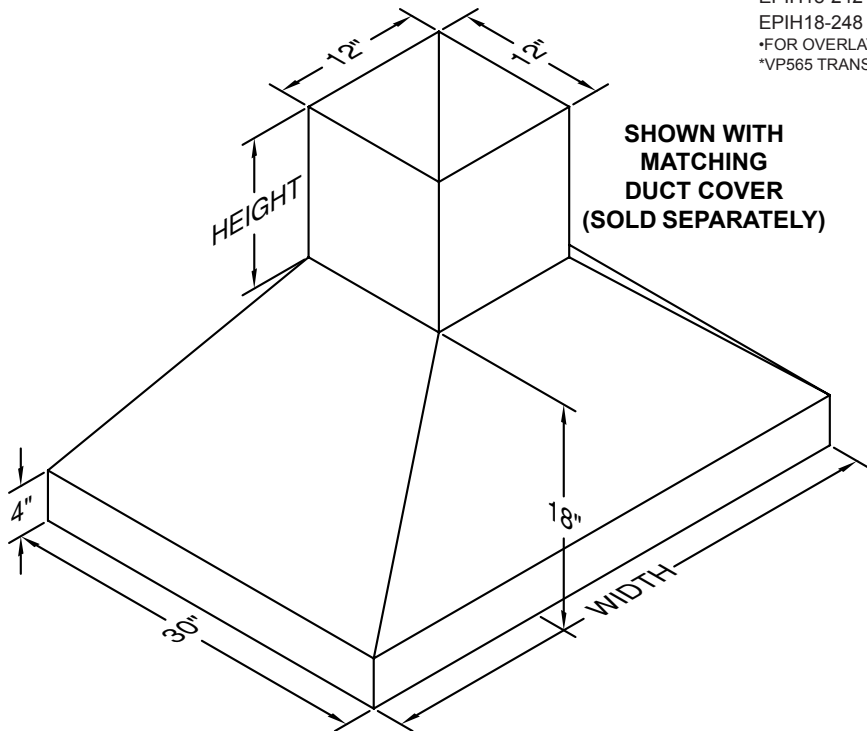
ISDH18 EURO-STYLE ISLAND HOOD VARIATIONS			
SPECIAL WIDTH (LESS THAN 48") USE NEXT LARGEST SIZE ON PRICE LIST, PLUS 238		REMOTE BLOWER OPTIONS SEE PAGES 86-87 FOR REMOTE BLOWER OPTIONS	
DEPTH OVER 27"		CUSTOM COLOR (SEE CUSTOM COLOR CHART) ADD 720	
WIDTH x EXTRA DEPTH x PLUS	PAINTED 1.32	STAINLESS 2.14	
	409		
		TRIM OPTIONS SEE PAGES 92-93 FOR FINISH AND TRIM OPTIONS	

EPIH18 EURO-STYLE ISLAND RANGE HOOD

RECOMMENDED MOUNTING HEIGHT FROM COOKING SURFACE: 30"
TRANSITION INCLUDED SEPARATELY

MODEL NO.	WIDTH	PAINTED	STAINLESS	OVERLAY*	#LTS
WITH DUAL BLOWER (550 CFM)*					
EPIH18-236	36"	3456	3999	6400	4
EPIH18-242	42"	3576	4399	6639	4
EPIH18-248	48"	3668	4796	6825	4

*FOR OVERLAY HOODS, SPECIFY INTERIOR COLOR
 *VP565 TRANSITION TO 8" ROUND INCLUDED WITH DUAL BLOWER



MODEL NO.	WIDTH	PAINTED	STAINLESS	OVERLAY	CLG.
IDC-12/12	12"	501	528	607	8'
IDC-12/24	12"	594	646	818	9'
IDC-12/36	12"	686	778	1016	10'

CUSTOM ISLAND DUCT COVERS

	PAINTED	STAINLESS	OVERLAY
WIDTH x HEIGHT x PLUS	0.64	0.87	1.45
		409	

ANY IDC SS DUCT COVER MORE THAN 45" TALL WILL HAVE A VERTICAL GRAIN DIRECTION. CUSTOM SIZES MAY BE LIMITED BY RAW MATERIAL SIZE. CONTACT FACTORY FOR FURTHER DETAILS.

REMOVABLE PANEL

SPECIFY SIDE	
ADD	238

SLOPED TOP ON DUCT COVER

ADD	409
SPECIFY FRONT TO BACK OR LEFT TO RIGHT DIMENSIONS.	

EPIH18 EURO-STYLE ISLAND HOOD VARIATIONS

SPECIAL WIDTH (LESS THAN 48") USE NEXT LARGEST SIZE ON PRICE LIST, PLUS	238		
DEPTH OVER 30"			
WIDTH x EXTRA DEPTH x PLUS	PAINTED 1.32	STAINLESS 2.14	OVERLAY 2.61
		409	

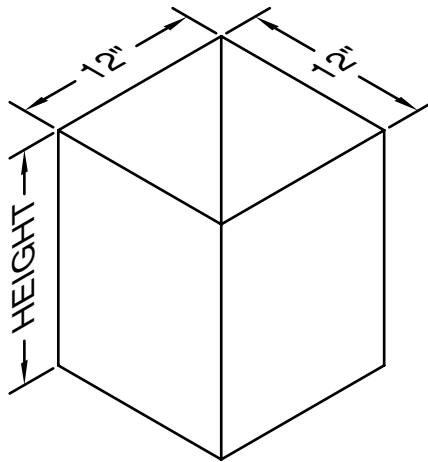
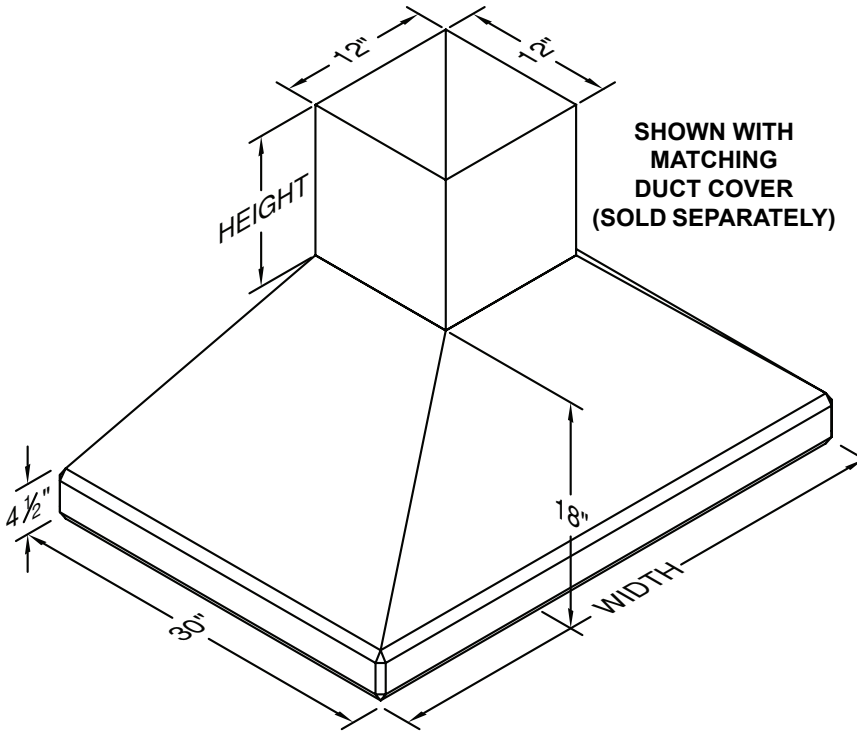
STAINLESS STEEL INTERIOR ON OVERLAY HOOD SUBTRACT PAINTED PRICE OF HOOD FROM STAINLESS PRICE OF HOOD	
REMOTE BLOWER OPTIONS SEE PAGES 86-87 FOR REMOTE BLOWER OPTIONS	
CUSTOM COLOR (SEE CUSTOM COLOR CHART) ADD	720
TRIM OPTIONS SEE PAGES 92-93 FOR FINISH AND TRIM OPTIONS	

SEPIH18 EURO-STYLE ISLAND RANGE HOOD

RECOMMENDED MOUNTING HEIGHT FROM COOKING SURFACE: 30"
TRANSITION INCLUDED SEPARATELY

MODEL NO.	WIDTH	PAINTED	STAINLESS	#LTS
WITH DUAL BLOWER (550 CFM)*				
SEPIH18-236	36"	3882	4641	4
SEPIH18-242	42"	4002	4796	4
SEPIH18-248	48"	4095	5064	4

*VP565 TRANSITION TO 8" ROUND INCLUDED WITH DUAL BLOWER



MODEL NO.	WIDTH	PAINTED	STAINLESS	CLG.
IDC-12/12	12"	501	528	8'
IDC-12/24	12"	594	646	9'
IDC-12/36	12"	686	778	10'

CUSTOM ISLAND DUCT COVERS

	PAINTED	STAINLESS
WIDTH x HEIGHT x PLUS	0.64	0.87
		409

ANY IDC SS DUCT COVER MORE THAN 45" TALL WILL HAVE A VERTICAL GRAIN DIRECTION. CUSTOM SIZES MAY BE LIMITED BY RAW MATERIAL SIZE. CONTACT FACTORY FOR FURTHER DETAILS.

REMOVABLE PANEL

SPECIFY SIDE	
ADD	238

SLOPED TOP ON DUCT COVER

ADD	409
SPECIFY FRONT TO BACK OR LEFT TO RIGHT DIMENSIONS.	

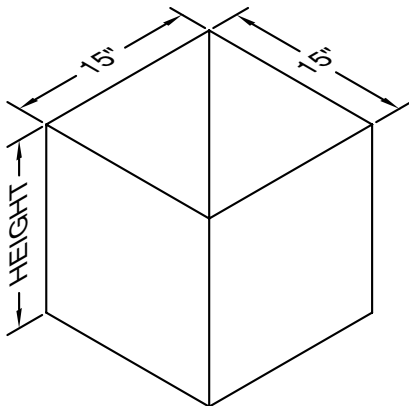
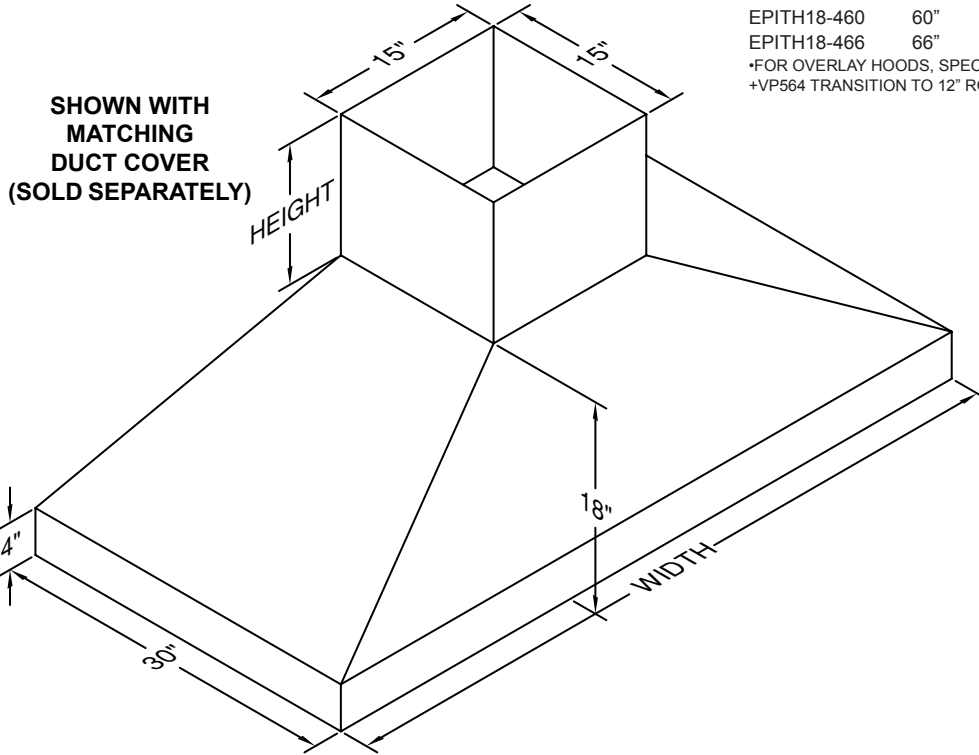
SEPIH18 EURO-STYLE ISLAND HOOD VARIATIONS			
SPECIAL WIDTH (LESS THAN 48") USE NEXT LARGEST SIZE ON PRICE LIST, PLUS			238
DEPTH OVER 30"	PAINTED	STAINLESS	
WIDTH x EXTRA DEPTH x PLUS	1.32	2.14	409
REMOTE BLOWER OPTIONS SEE PAGES 86-87 FOR REMOTE BLOWER OPTIONS			
CUSTOM COLOR (SEE CUSTOM COLOR CHART) ADD	720		
TRIM OPTIONS SEE PAGES 92-93 FOR FINISH AND TRIM OPTIONS			

EPITH18 EURO-STYLE ISLAND RANGE HOOD

RECOMMENDED MOUNTING HEIGHT FROM COOKING SURFACE: 30"
TRANSITION INCLUDED SEPARATELY

MODEL NO.	WIDTH	PAINTED	STAINLESS	OVERLAY*	#LTS
WITH CLUSTER BLOWER (1100 CFM)+					
EPITH18-448	48"	4694	5856	7939	4
EPITH18-454	54"	5157	6375	8635	4
EPITH18-460	60"	5362	6826	9085	4
EPITH18-466	66"	5580	7113	9548	4

*FOR OVERLAY HOODS, SPECIFY INTERIOR COLOR
 +VP564 TRANSITION TO 12" ROUND INCLUDED WITH CLUSTER BLOWER



MODEL NO.	WIDTH	PAINTED	STAINLESS	OVERLAY	CLG.
IDC-15/12	15"	514	554	660	8'
IDC-15/24	15"	633	712	924	9'
IDC-15/36	15"	752	871	1166	10'

CUSTOM ISLAND DUCT COVERS

	PAINTED	STAINLESS	OVERLAY
WIDTH x HEIGHT x PLUS	0.64	0.87	1.45
		409	

ANY IDC SS DUCT COVER MORE THAN 45" TALL WILL HAVE A VERTICAL GRAIN DIRECTION. CUSTOM SIZES MAY BE LIMITED BY RAW MATERIAL SIZE. CONTACT FACTORY FOR FURTHER DETAILS.

REMOVABLE PANEL

SPECIFY SIDE	
ADD	238

SLOPED TOP ON DUCT COVER

ADD	409
SPECIFY FRONT TO BACK OR LEFT TO RIGHT DIMENSIONS.	

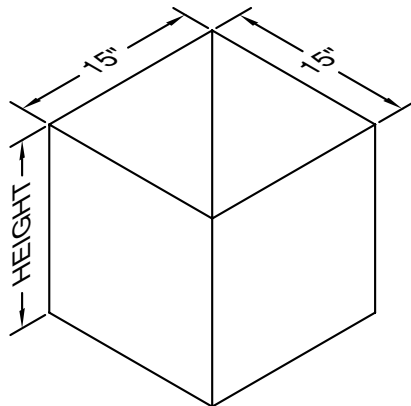
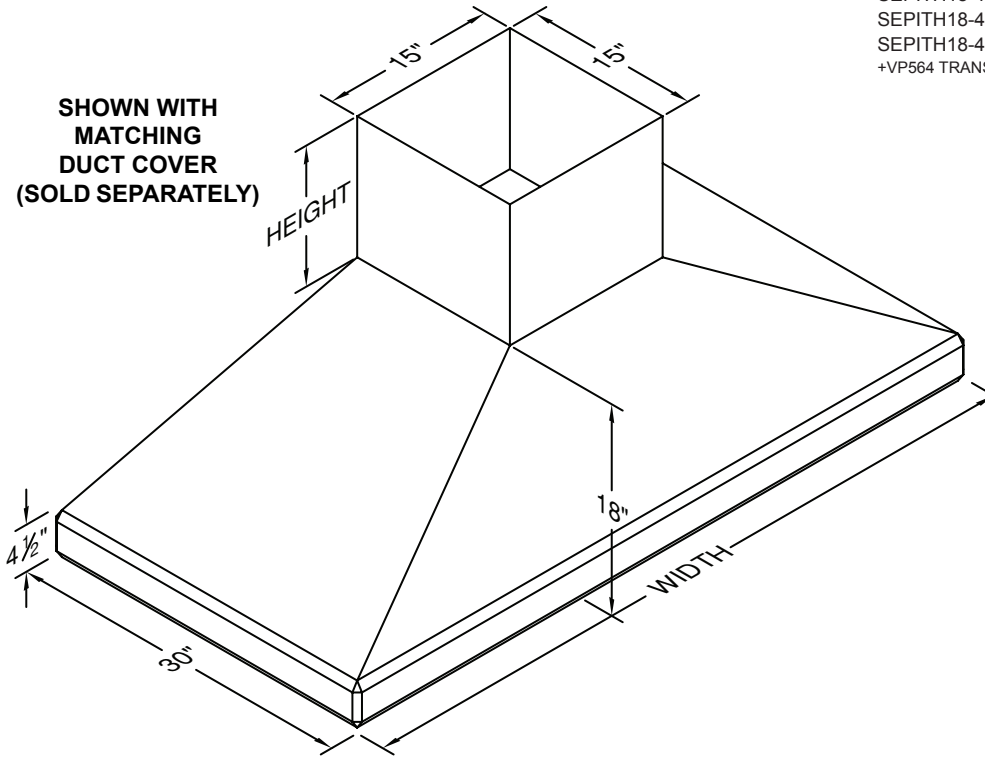
EPITH18 EURO-STYLE ISLAND HOOD VARIATIONS

WIDTHS OVER 66"				DEPTH OVER 30"			
FOR EACH 6" INCREMENT	PAINTED 211	STAINLESS 277	OVERLAY 435	WIDTH x EXTRA DEPTH x	PAINTED 1.32	STAINLESS 2.14	OVERLAY 2.61
PLUS		238		PLUS		409	
SPECIAL WIDTH (LESS THAN 66")	USE NEXT LARGEST SIZE ON PRICE LIST,			REMOTE BLOWER OPTIONS	SEE PAGES 86-87 FOR REMOTE BLOWER OPTIONS		
PLUS		238		CUSTOM COLOR (SEE CUSTOM COLOR CHART)	ADD 720		
STAINLESS STEEL INTERIOR ON OVERLAY HOOD	SUBTRACT PAINTED PRICE OF HOOD FROM STAINLESS PRICE OF HOOD			TRIM OPTIONS	SEE PAGES 92-93 FOR FINISH AND TRIM OPTIONS		

SEPITH18 EURO-STYLE ISLAND RANGE HOOD

**RECOMMENDED MOUNTING HEIGHT
FROM COOKING SURFACE: 30"**
TRANSITION INCLUDED SEPARATELY

MODEL NO.	WIDTH	PAINTED	STAINLESS	#LTS
WITH CLUSTER BLOWER (1100 CFM)+				
SEPITH18-448	48"	5130	6416	4
SEPITH18-454	54"	5594	6963	4
SEPITH18-460	60"	5798	7250	4
SEPITH18-466	66"	6003	7551	4
+VP564 TRANSITION TO 12" ROUND INCLUDED WITH CLUSTER BLOWER				



MODEL NO.	WIDTH	PAINTED	STAINLESS	CLG.
IDC-15/12	15"	514	554	8'
IDC-15/24	15"	633	712	9'
IDC-15/36	15"	752	871	10'

CUSTOM ISLAND DUCT COVERS

	PAINTED	STAINLESS
WIDTH x HEIGHT x PLUS	0.64	0.87
		409

ANY IDC SS DUCT COVER MORE THAN 45" TALL WILL HAVE A VERTICAL GRAIN DIRECTION. CUSTOM SIZES MAY BE LIMITED BY RAW MATERIAL SIZE. CONTACT FACTORY FOR FURTHER DETAILS.

REMOVABLE PANEL

SPECIFY SIDE ADD	238
---------------------	-----

SLOPED TOP ON DUCT COVER

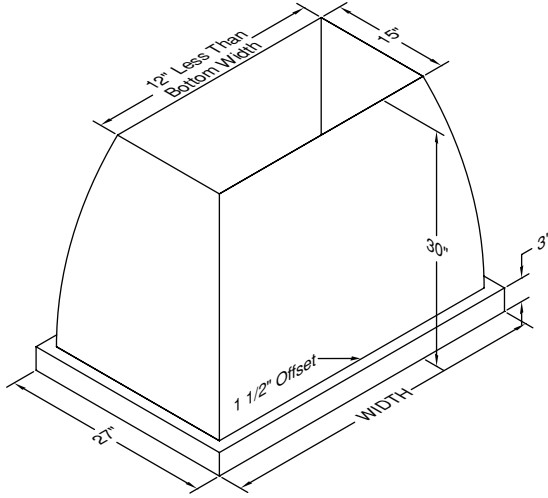
ADD	409
SPECIFY FRONT TO BACK OR LEFT TO RIGHT DIMENSIONS.	

SEPITH18 EURO-STYLE ISLAND HOOD VARIATIONS

WIDTHS OVER 66"			DEPTH OVER 30"		
FOR EACH 6" INCREMENT	PAINTED 211	STAINLESS 277	WIDTH x EXTRA DEPTH x	PAINTED 1.32	STAINLESS 2.14
PLUS	238		PLUS	409	
SPECIAL WIDTH (LESS THAN 66")			CUSTOM COLOR (SEE CUSTOM COLOR CHART)		
USE NEXT LARGEST SIZE ON PRICE LIST,			ADD	720	
PLUS	238		TRIM OPTIONS		
REMOTE BLOWER OPTIONS			SEE PAGES 92-93 FOR FINISH AND TRIM OPTIONS		
SEE PAGES 86-87 FOR REMOTE BLOWER OPTIONS					

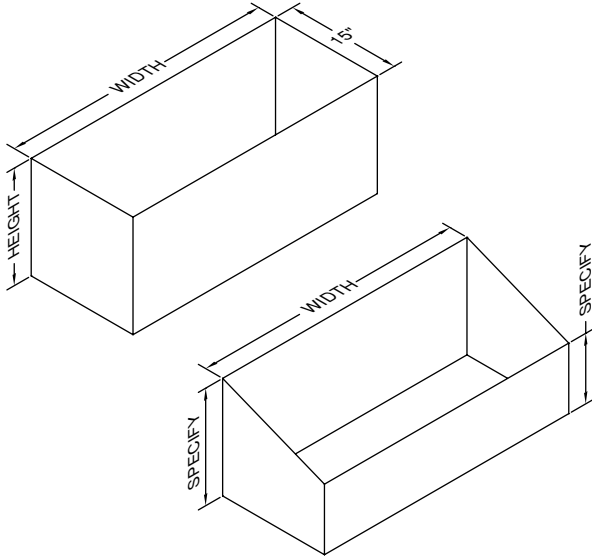
ICXH30 ISLAND RANGE HOOD

RECOMMENDED MOUNTING HEIGHT FROM COOKING SURFACE: 30" TRANSITION(S) INCLUDED IN HOOD



MODEL NO.	WIDTH	PAINTED	STAINLESS	OVERLAY*	#LTS	INCL.
WITH DUAL BLOWER (550 CFM)						
ICXH30-236	36"	4532	5960	8160	4	VP565
ICXH30-242	42"	4764	6288	8596	4	VP565
ICXH30-248	48"	4956	6576	8678	4	VP565
ICXH30-254	54"	5364	7136	9782	4	VP565
WITH TWO DUAL BLOWERS (1100 CFM)						
ICXH30-2+260	60"	6777	8997	12586	6	VP565 (2)
ICXH30-2+266	66"	7036	9380	13132	6	VP565 (2)

*FOR OVERLAY HOODS, SPECIFY INTERIOR COLOR



MODEL NO.	WIDTH	PAINTED	STAINLESS	OVERLAY	CLG.
IDC-36	24"	594	646	818	9'
IDC-42	30"	633	712	924	9'
IDC-48	36"	686	778	1016	9'
IDC-54	42"	726	831	1122	9'
IDC-60	48"	778	897	1227	9'
IDC-66	54"	818	963	1333	9'

CUSTOM ISLAND DUCT COVERS

	PAINTED	STAINLESS	OVERLAY
WIDTH x HEIGHT x PLUS	0.64	0.87	1.45
		409	

ANY IDC SS DUCT COVER MORE THAN 45" TALL WILL HAVE A VERTICAL GRAIN DIRECTION. CUSTOM SIZES MAY BE LIMITED BY RAW MATERIAL SIZE. CONTACT FACTORY FOR FURTHER DETAILS.

REMOVABLE PANEL

SPECIFY SIDE	
ADD	238

SLOPED TOP ON DUCT COVER

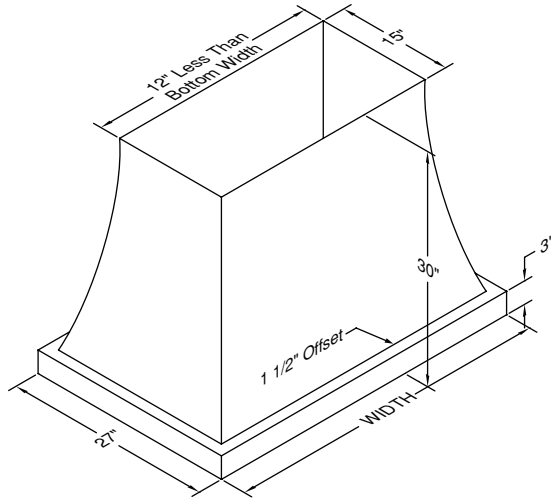
ADD	409
SPECIFY FRONT TO BACK OR LEFT TO RIGHT DIMENSIONS.	

ICXH30 ISLAND HOOD VARIATIONS

WIDTHS OVER 66"				SLOPE, LIP, OFFSET, OR TOP VARIATION
	PAINTED	STAINLESS	OVERLAY	PER VARIATION, ADD 409
FOR EACH 6" INCREMENT	211	277	435	CLIPPED CORNER
PLUS		238		PER CORNER, ADD 409
SPECIAL WIDTH (LESS THAN 66")				SPECIAL BLOWER LOCATION
USE NEXT LARGEST SIZE ON PRICE LIST,				LEFT TO RIGHT, SPECIFY COLLAR CENTERLINE
PLUS		238		ADD 238
SPECIAL HEIGHT (BETWEEN 18" & 30")				SPECIAL DECK (9" MINIMUM, 18" STANDARD)
USE STANDARD 30" PRICE,				ADD 238
PLUS		409		STAINLESS STEEL INTERIOR ON OVERLAY HOOD
HEIGHT OVER 30"				SUBTRACT PAINTED PRICE OF HOOD FROM STAINLESS PRICE OF HOOD
	PAINTED	STAINLESS	OVERLAY	ADDITIONAL BLOWERS & LIGHTS
WIDTH x EXTRA HEIGHT x	1.32	2.14	2.61	SEE PAGE 86 FOR BLOWER OPTIONS
PLUS		409		REMOTE BLOWER OPTIONS
DEPTH OVER 27"				SEE PAGES 86-87 FOR REMOTE BLOWER OPTIONS
	PAINTED	STAINLESS	OVERLAY	CUSTOM COLOR (SEE CUSTOM COLOR CHART)
WIDTH x EXTRA DEPTH x	1.32	2.14	2.61	ADD 720
PLUS		409		TRIM OPTIONS
				SEE PAGES 92-93 FOR FINISH AND TRIM OPTIONS

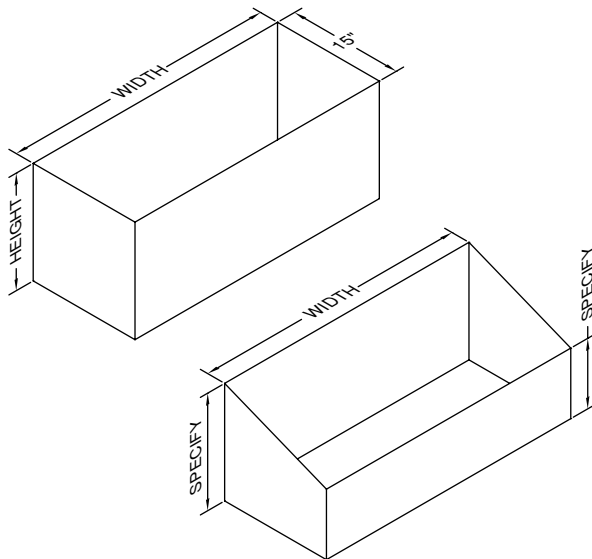
ISFH30 ISLAND RANGE HOOD

RECOMMENDED MOUNTING HEIGHT FROM COOKING SURFACE: 30" TRANSITION(S) INCLUDED IN HOOD



MODEL NO.	WIDTH	PAINTED	STAINLESS	OVERLAY*	#LTS	INCL.
WITH DUAL BLOWER (550 CFM)						
ISFH30-236	36"	4532	5960	8160	4	VP565
ISFH30-242	42"	4764	6288	8596	4	VP565
ISFH30-248	48"	4956	6576	8678	4	VP565
ISFH30-254	54"	5364	7136	9782	4	VP565
WITH TWO DUAL BLOWERS (1100 CFM)						
ISFH30-2+260	60"	6777	8997	12586	6	VP565 (2)
ISFH30-2+266	66"	7036	9380	13132	6	VP565 (2)

*FOR OVERLAY HOODS, SPECIFY INTERIOR COLOR



MODEL NO.	WIDTH	PAINTED	STAINLESS	OVERLAY	CLG.
IDC-36	24"	594	646	818	9'
IDC-42	30"	633	712	924	9'
IDC-48	36"	686	778	1016	9'
IDC-54	42"	726	831	1122	9'
IDC-60	48"	778	897	1227	9'
IDC-66	54"	818	963	1333	9'

CUSTOM ISLAND DUCT COVERS

	PAINTED	STAINLESS	OVERLAY
WIDTH x HEIGHT x PLUS	0.64	0.87	1.45
		409	

ANY IDC SS DUCT COVER MORE THAN 45" TALL WILL HAVE A VERTICAL GRAIN DIRECTION. CUSTOM SIZES MAY BE LIMITED BY RAW MATERIAL SIZE. CONTACT FACTORY FOR FURTHER DETAILS.

REMOVABLE PANEL

SPECIFY SIDE	
ADD	238

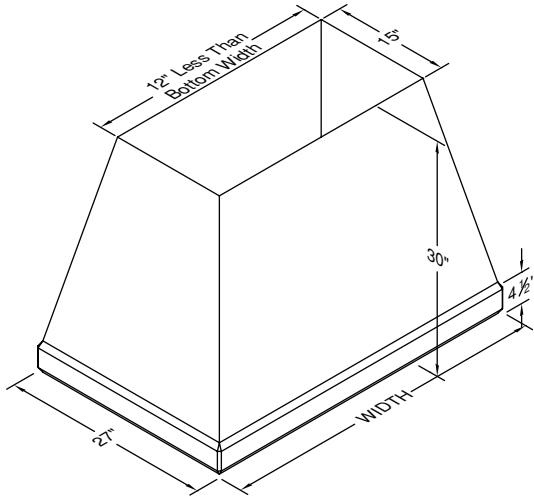
SLOPED TOP ON DUCT COVER

ADD	409
SPECIFY FRONT TO BACK OR LEFT TO RIGHT DIMENSIONS.	

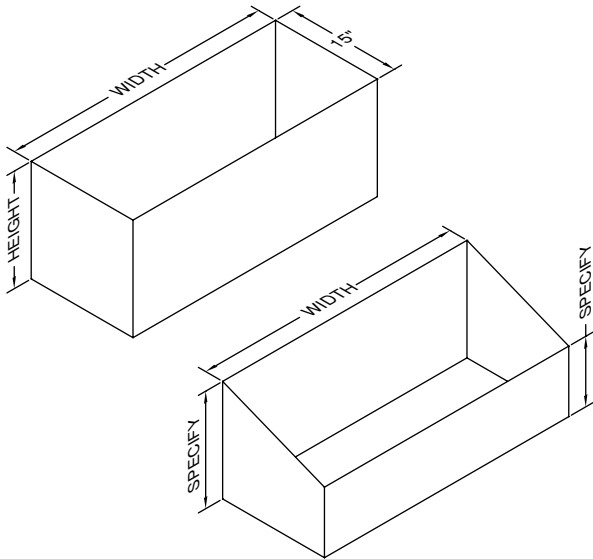
ISFH30 ISLAND HOOD VARIATIONS				
WIDTHS OVER 66"				
FOR EACH 6" INCREMENT	PAINTED 211	STAINLESS 277	OVERLAY 435	
PLUS		238		
SPECIAL WIDTH (LESS THAN 66")				
USE NEXT LARGEST SIZE ON PRICE LIST, PLUS		238		
SPECIAL HEIGHT (BETWEEN 18" & 30")				
USE STANDARD 30" PRICE, PLUS		409		
HEIGHT OVER 30"				
WIDTH x EXTRA HEIGHT x PLUS	PAINTED 1.32	STAINLESS 2.14	OVERLAY 2.61	
		409		
DEPTH OVER 27"				
WIDTH x EXTRA DEPTH x PLUS	PAINTED 1.32	STAINLESS 2.14	OVERLAY 2.61	
		409		
SLOPE, LIP, OFFSET, OR TOP VARIATION				
PER VARIATION, ADD		409		
				CLIPPED CORNER
				PER CORNER, ADD 409
				VERTICAL END
				PER END, ADD 409
				SPECIAL BLOWER LOCATION
				LEFT TO RIGHT, SPECIFY COLLAR CENTERLINE
				ADD 238
				SPECIAL DECK (9" MINIMUM, 18" STANDARD)
				ADD 238
				STAINLESS STEEL INTERIOR ON OVERLAY HOOD
				SUBTRACT PAINTED PRICE OF HOOD FROM STAINLESS PRICE OF HOOD
				ADDITIONAL BLOWERS & LIGHTS
				SEE PAGE 86 FOR BLOWER OPTIONS
				REMOTE BLOWER OPTIONS
				SEE PAGES 86-87 FOR REMOTE BLOWER OPTIONS
				CUSTOM COLOR (SEE CUSTOM COLOR CHART)
				ADD 720
				TRIM OPTIONS
				SEE PAGES 92-93 FOR FINISH AND TRIM OPTIONS

ISLH30 ISLAND RANGE HOOD

RECOMMENDED MOUNTING HEIGHT FROM COOKING SURFACE: 30" TRANSITION(S) INCLUDED IN HOOD



MODEL NO.	WIDTH	PAINTED	STAINLESS	#LTS	INCL.
WITH DUAL BLOWER (550 CFM)					
ISLH30-236	36"	4924	5988	4	VP565
ISLH30-242	42"	5140	6666	4	VP565
ISLH30-248	48"	5343	6951	4	VP565
ISLH30-254	54"	5748	7520	4	VP565
WITH TWO DUAL BLOWERS (1100 CFM)					
ISLH30-2+260	60"	7142	9362	6	VP565 (2)
ISLH30-2+266	66"	7411	9756	6	VP565 (2)



MODEL NO.	WIDTH	PAINTED	STAINLESS	CLG.
IDC-36	24"	594	646	9'
IDC-42	30"	633	712	9'
IDC-48	36"	686	778	9'
IDC-54	42"	726	831	9'
IDC-60	48"	778	897	9'
IDC-66	54"	818	963	9'

CUSTOM ISLAND DUCT COVERS

	PAINTED	STAINLESS
WIDTH x HEIGHT x PLUS	0.64	0.87
		409

ANY IDC SS DUCT COVER MORE THAN 45" TALL WILL HAVE A VERTICAL GRAIN DIRECTION. CUSTOM SIZES MAY BE LIMITED BY RAW MATERIAL SIZE. CONTACT FACTORY FOR FURTHER DETAILS.

REMOVABLE PANEL

SPECIFY SIDE	
ADD	238

SLOPED TOP ON DUCT COVER

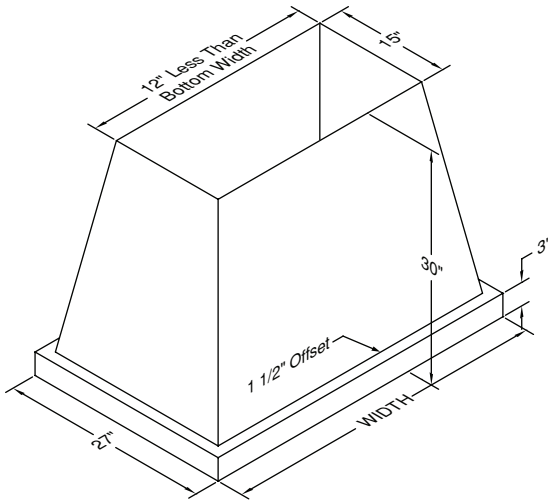
ADD	409
SPECIFY FRONT TO BACK OR LEFT TO RIGHT DIMENSIONS.	

ISLH30 ISLAND HOOD VARIATIONS

WIDTHS OVER 66"	PAINTED	STAINLESS	SLOPE, LIP, OFFSET, OR TOP VARIATION
FOR EACH 6" INCREMENT	211	277	PER VARIATION, ADD 409
PLUS		238	SPECIAL BLOWER LOCATION
SPECIAL WIDTH (LESS THAN 66")			LEFT TO RIGHT, SPECIFY COLLAR CENTERLINE
USE NEXT LARGEST SIZE ON PRICE LIST,			ADD 238
PLUS		238	SPECIAL DECK (9" MINIMUM, 18" STANDARD)
SPECIAL HEIGHT (BETWEEN 18" & 30")			ADD 238
USE STANDARD 30" PRICE,			ADDITIONAL BLOWERS & LIGHTS
PLUS		409	SEE PAGE 86 FOR BLOWER OPTIONS
HEIGHT OVER 30"	PAINTED	STAINLESS	REMOTE BLOWER OPTIONS
WIDTH x EXTRA HEIGHT x	1.32	2.14	SEE PAGES 86-87 FOR REMOTE BLOWER OPTIONS
PLUS		409	CUSTOM COLOR (SEE CUSTOM COLOR CHART)
DEPTH OVER 27"	PAINTED	STAINLESS	ADD 720
WIDTH x EXTRA DEPTH x	1.32	2.14	TRIM OPTIONS
PLUS		409	SEE PAGES 92-93 FOR FINISH AND TRIM OPTIONS

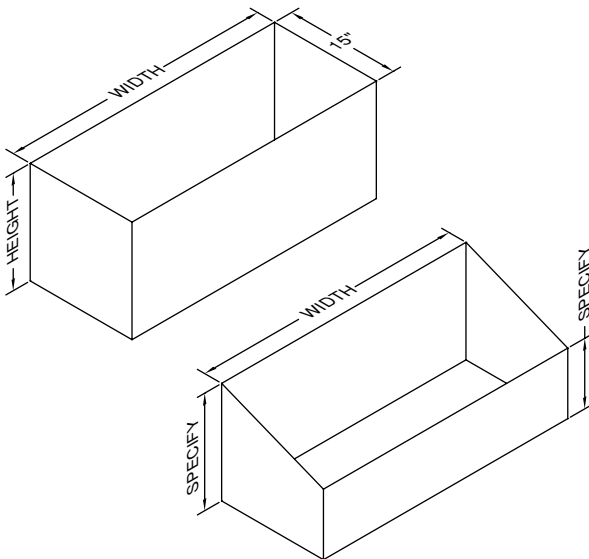
PYH30 ISLAND RANGE HOOD

RECOMMENDED MOUNTING HEIGHT FROM COOKING SURFACE: 30" TRANSITION(S) INCLUDED IN HOOD



MODEL NO.	WIDTH	PAINTED	STAINLESS	OVERLAY*	#LTS	INCL.
WITH DUAL BLOWER (550 CFM)						
PYH30-236	36"	4532	5960	8160	4	VP565
PYH30-242	42"	4764	6288	8596	4	VP565
PYH30-248	48"	4956	6576	8678	4	VP565
PYH30-254	54"	5364	7136	9782	4	VP565
WITH TWO DUAL BLOWERS (1100 CFM)						
PYH30-2+260	60"	6777	8997	12586	6	VP565 (2)
PYH30-2+266	66"	7036	9380	13132	6	VP565 (2)

*FOR OVERLAY HOODS, SPECIFY INTERIOR COLOR



MODEL NO.	WIDTH	PAINTED	STAINLESS	OVERLAY	CLG.
IDC-36	24"	594	646	818	9'
IDC-42	30"	633	712	924	9'
IDC-48	36"	686	778	1016	9'
IDC-54	42"	726	831	1122	9'
IDC-60	48"	778	897	1227	9'
IDC-66	54"	818	963	1333	9'

CUSTOM ISLAND DUCT COVERS

	PAINTED	STAINLESS	OVERLAY
WIDTH x HEIGHT x PLUS	0.64	0.87	1.45
		409	

ANY IDC SS DUCT COVER MORE THAN 45" TALL WILL HAVE A VERTICAL GRAIN DIRECTION. CUSTOM SIZES MAY BE LIMITED BY RAW MATERIAL SIZE. CONTACT FACTORY FOR FURTHER DETAILS.

REMOVABLE PANEL

SPECIFY SIDE ADD	238
------------------	-----

SLOPED TOP ON DUCT COVER

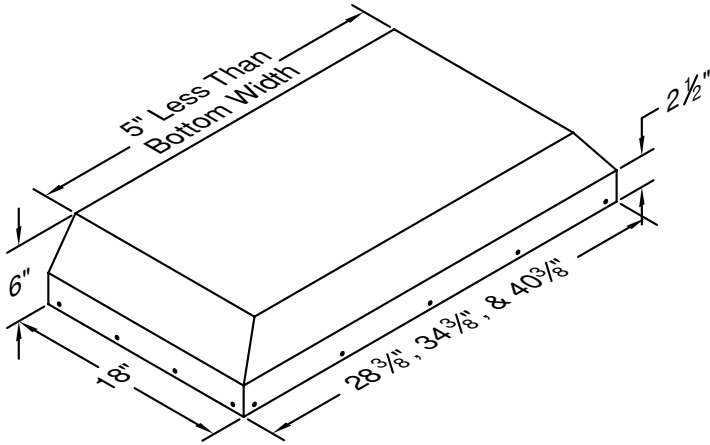
ADD	409
-----	-----

SPECIFY FRONT TO BACK OR LEFT TO RIGHT DIMENSIONS.

PYH30 ISLAND HOOD VARIATIONS				
WIDTHS OVER 66"	PAINTED	STAINLESS	OVERLAY	CLIPPED CORNER
FOR EACH 6" INCREMENT PLUS	211	277	435	PER CORNER, ADD 409
SPECIAL WIDTH (LESS THAN 66")				VERTICAL END
USE NEXT LARGEST SIZE ON PRICE LIST, PLUS		238		PER END, ADD 409
SPECIAL HEIGHT (BETWEEN 18" & 30")				SPECIAL BLOWER LOCATION
USE STANDARD 30" PRICE, PLUS		409		LEFT TO RIGHT, SPECIFY COLLAR CENTERLINE
HEIGHT OVER 30"	PAINTED	STAINLESS	OVERLAY	ADD 238
WIDTH x EXTRA HEIGHT x PLUS	1.32	2.14	2.61	SPECIAL DECK (9" MINIMUM, 18" STANDARD)
DEPTH OVER 27"	PAINTED	STAINLESS	OVERLAY	ADD 238
WIDTH x EXTRA DEPTH x PLUS	1.32	2.14	2.61	STAINLESS STEEL INTERIOR ON OVERLAY HOOD
SLOPE, LIP, OFFSET, OR TOP VARIATION				SUBTRACT PAINTED PRICE OF HOOD FROM STAINLESS PRICE OF HOOD
PER VARIATION, ADD		409		ADDITIONAL BLOWERS & LIGHTS
				SEE PAGE 86 FOR BLOWER OPTIONS
				REMOTE BLOWER OPTIONS
				SEE PAGES 86-87 FOR REMOTE BLOWER OPTIONS
				CUSTOM COLOR (SEE CUSTOM COLOR CHART)
				ADD 720
				TRIM OPTIONS
				SEE PAGES 92-93 FOR FINISH AND TRIM OPTIONS

KHSLD & BHSLD WALL MOUNT LINER INSERTS

**RECOMMENDED MOUNTING HEIGHT
FROM COOKING SURFACE: 21"-24"
TRIM KIT NOT INCLUDED**



MODEL NO.	WIDTH	PAINTED	STAINLESS	#LTS
WITH SINGLE BLOWER (250 CFM)				
KH28SLD	28 3/8"	540	660	2
KH34SLD	34 3/8"	540	660	2
KH40SLD	40 3/8"	642	774	2

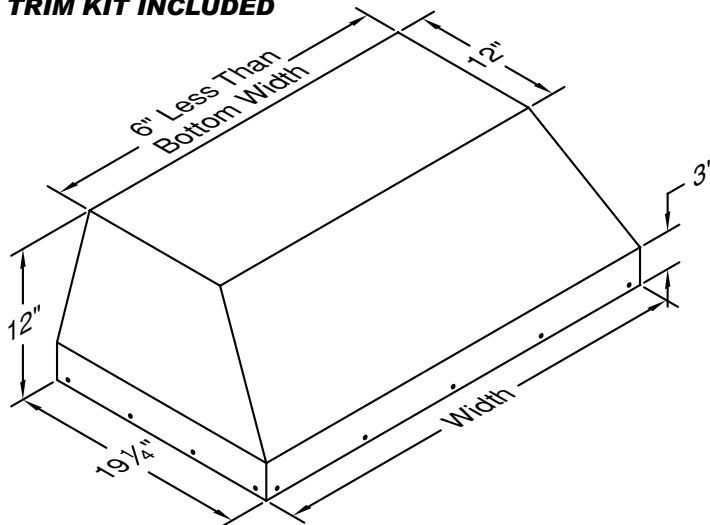
OPTIONAL TRIM KITS

MODEL NO.	WIDTH	PAINTED	STAINLESS
TKK28SLD	28-3/8"	21.60	21.60
TKK34SLD	34-3/8"	21.60	21.60
TKK40SLD	40-3/8"	22.80	22.80

PRODUCT FEATURES

- 250 CFM (375 EQUIVALENT)
- BACK VENT OR TOP VENT
- STANDARD SIZES ONLY, NO CUSTOMIZATIONS
- PAINTED FINISHES INCLUDE BISCUIT, BLACK, GUNSMOKE, AND WHITE

**RECOMMENDED MOUNTING HEIGHT
FROM COOKING SURFACE: 24"-27"
TRANSITION NOT INCLUDED
TRIM KIT INCLUDED**



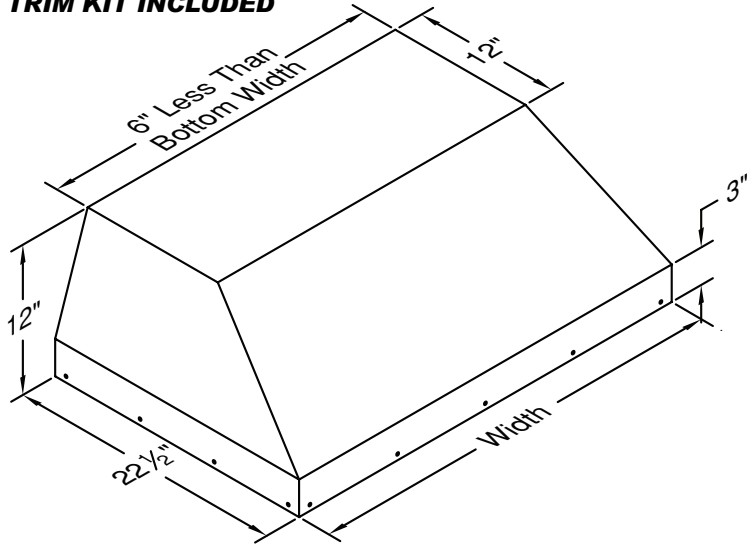
MODEL NO.	WIDTH	PAINTED	STAINLESS	#LTS
WITH SINGLE BLOWER (300 CFM)				
BH128SLD	28 3/8"	906	1198	2
BH134SLD	34 3/8"	906	1198	2
BH140SLD	40 3/8"	1020	1311	2
WITH DUAL BLOWER (600 CFM)				
BH228SLD	28 3/8"	1290	1549	2
BH234SLD	34 3/8"	1290	1549	2
BH240SLD	40 3/8"	1404	1699	2
BH246SLD	46 3/8"	1498	1799	3
WITH DUAL & SINGLE BLOWERS (900 CFM)				
BH346SLD	46 3/8"	1960	2371	3
BH228SLD-16	28 3/8"	N/A	1949	2
BH234SLD-16	34 3/8"	N/A	1949	2
BH228SLD-18	28 3/8"	N/A	1949	2
BH234SLD-18	34 3/8"	N/A	1949	2

**NO VARIATIONS
NO HEAT LAMPS**

USE VP562 TRANSITION (OPTIONAL) ON 900 CFM MODEL TO COMBINE OUTLETS INTO A SINGLE 10" DUCT.

BHPSLD & BHPSLB WALL MOUNT LINER INSERTS

**RECOMMENDED MOUNTING HEIGHT
FROM COOKING SURFACE: 27"-30"
TRANSITION NOT INCLUDED
TRIM KIT INCLUDED**

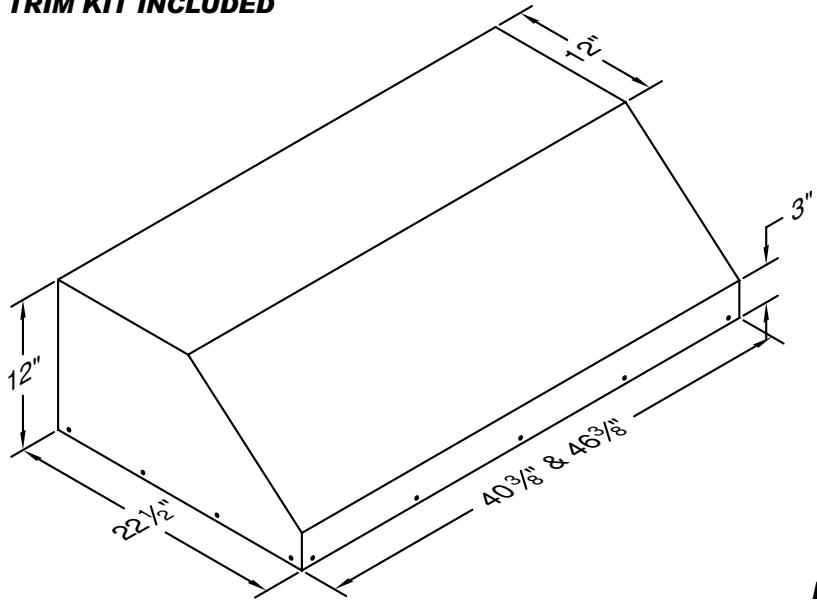


MODEL NO.	WIDTH	PAINTED	STAINLESS	#LTS
WITH DUAL BLOWER (600 CFM)				
BH228PSLD	28 3/8"	1328	1579	2
BH234PSLD	34 3/8"	1328	1579	2
BH240PSLD	40 3/8"	1432	1699	2
BH246PSLD	46 3/8"	1584	1899	3
BH252PSLD	52 3/8"	1858	2366	3
WITH DUAL & SINGLE BLOWERS (900 CFM)				
BH346PSLD	46 3/8"	1992	2399	3
BH352PSLD	52 3/8"	2266	2870	3
BH358PSLD	58 3/8"	2665	3363	4
WITH TWO DUAL BLOWERS (1200 CFM)				
BH452PSLD	52 3/8"	2650	3290	3
BH458PSLD	58 3/8"	3049	3699	4
BH464PSLD	64 3/8"	3219	3999	4

**NO VARIATIONS
NO HEAT LAMPS**

USE VP562 TRANSITION (OPTIONAL) ON 900 CFM MODELS TO COMBINE OUTLETS INTO A SINGLE 10" DUCT.
USE VP563 TRANSITION (OPTIONAL) ON 1200 CFM MODELS TO COMBINE OUTLETS INTO A SINGLE 12" DUCT.

**RECOMMENDED MOUNTING HEIGHT
FROM COOKING SURFACE: 27"-30"
TRANSITION NOT INCLUDED
TRIM KIT INCLUDED**



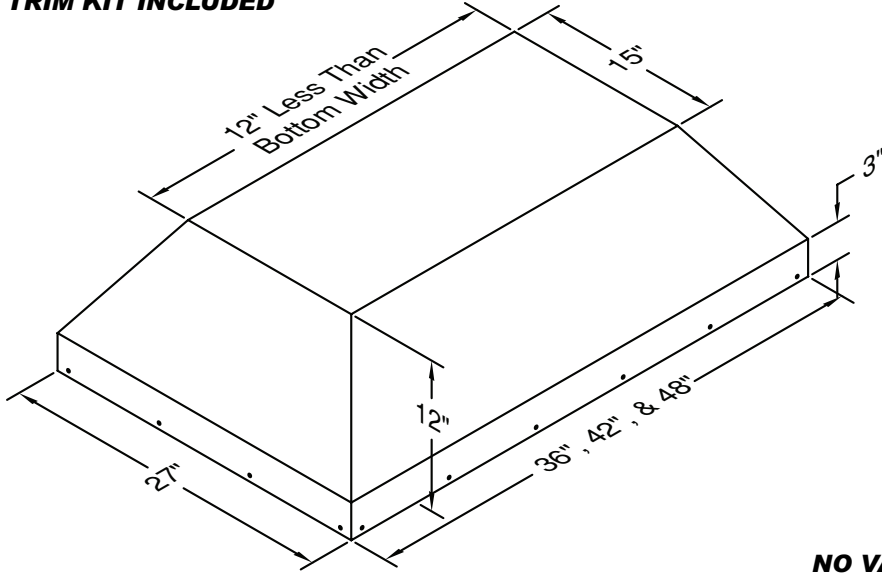
MODEL NO.	WIDTH	PAINTED	STAINLESS	#LTS
WITH DUAL & SINGLE BLOWERS (900 CFM)				
BH340PSLB	40 3/8"	1987	2399	3
WITH TWO DUAL BLOWERS (1200 CFM)				
BH446PSLB	46 3/8"	2444	2899	3

**NO VARIATIONS
NO HEAT LAMPS**

USE VP562 TRANSITION (OPTIONAL) ON 900 CFM MODELS TO COMBINE OUTLETS INTO A SINGLE 10" DUCT.
USE VP563 TRANSITION (OPTIONAL) ON 1200 CFM MODELS TO COMBINE OUTLETS INTO A SINGLE 12" DUCT.

THSLE & THPSLE ISLAND LINER INSERTS

**RECOMMENDED MOUNTING HEIGHT
FROM COOKING SURFACE: 30"**
TRANSITION INCLUDED SEPARATELY
TRIM KIT INCLUDED

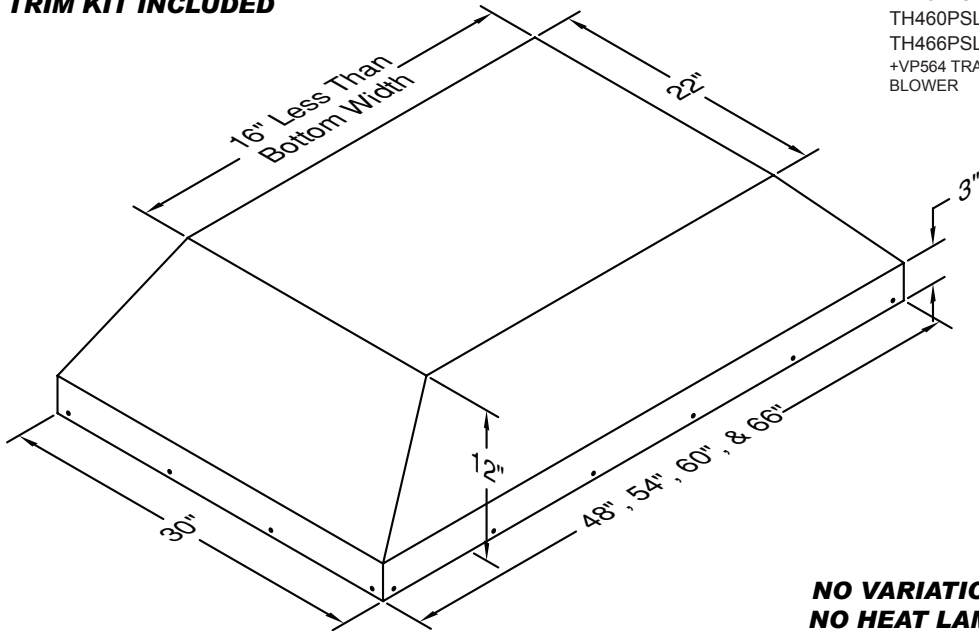


**NO VARIATIONS
NO HEAT LAMPS**

MODEL NO.	WIDTH	PAINTED	STAINLESS	#LTS
WITH DUAL BLOWER (550 CFM)*				
TH236SLE	36"	2265	2824	4
TH242SLE	42"	2318	2905	4
TH248SLE	48"	2370	2959	4

*VP565 TRANSITION TO 8" ROUND INCLUDED WITH DUAL BLOWER

**RECOMMENDED MOUNTING HEIGHT
FROM COOKING SURFACE: 30"**
TRANSITION INCLUDED SEPARATELY
TRIM KIT INCLUDED

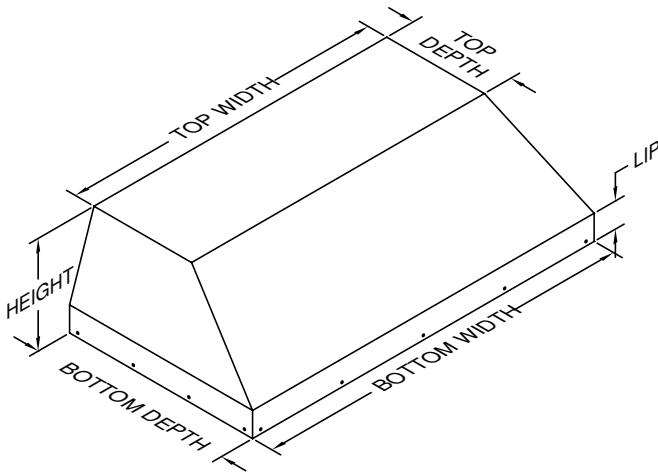


**NO VARIATIONS
NO HEAT LAMPS**

MODEL NO.	WIDTH	PAINTED	STAINLESS	#LTS
WITH CLUSTER BLOWER (1100 CFM)+				
TH448PSLE	48"	3744	5102	4
TH454PSLE	54"	3896	5295	4
TH460PSLE	60"	3980	5476	4
TH466PSLE	66"	4041	5587	4

+VP564 TRANSITION TO 12" ROUND INCLUDED WITH CLUSTER BLOWER

BH-LD & BH-LB CUSTOM WALL MOUNT LINER INSERTS



MINIMUM TOP WIDTH FOR 300 SERIES IS 40-3/8".
MINIMUM TOP WIDTH FOR 400 SERIES IS 46-3/8"

USE VP562 TRANSITION (OPTIONAL) ON 900 CFM MODELS
 TO COMBINE OUTLETS INTO A SINGLE 10" DUCT.

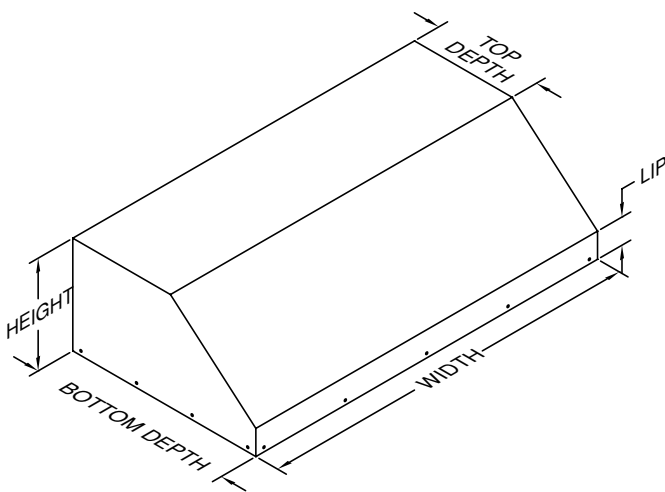
USE VP563 TRANSITION (OPTIONAL) ON 1200 CFM MODELS
 TO COMBINE OUTLETS INTO A SINGLE 12" DUCT.

MODEL NO.	WIDTH	PAINTED	STAINLESS	#LTS
WITH SINGLE BLOWER (300 CFM)				
BH100LD-A	24"-36"	1716	2244	2
WITH DUAL BLOWER (600 CFM)				
BH200LD-A	24"-36"	2138	2692	2
BH200LD-B	36"-48"	2376	2943	*
BH200LD-C	48"-54"	2692	3418	*
WITH DUAL & SINGLE BLOWERS (900 CFM)				
BH300LD-D	42"-54"	3220	4052	*
WITH TWO DUAL BLOWERS (1200 CFM)				
BH400LD-E	48"-66"	3933	4897	*

*2 LIGHTS FOR HOODS 24"-41", 3 LIGHTS FOR HOODS 42"-53", 4 LIGHTS FOR HOODS 54"-66"

TRIM KIT INCLUDED
DIMENSIONS BELOW ARE AVAILABLE
AT NO ADDITIONAL COST.

BOTTOM DEPTH:	16" - 24"
HEIGHT:	12"
TOP DEPTH:	12"
LIP:	3"



USE VP562 TRANSITION (OPTIONAL) ON 900 CFM MODELS
 TO COMBINE OUTLETS INTO A SINGLE 10" DUCT.

USE VP563 TRANSITION (OPTIONAL) ON 1200 CFM MODELS
 TO COMBINE OUTLETS INTO A SINGLE 12" DUCT.

MODEL NO.	WIDTH	PAINTED	STAINLESS	#LTS
WITH SINGLE BLOWER (300 CFM)				
BH100LB-A	24"-36"	1320	1848	2
WITH DUAL BLOWER (600 CFM)				
BH200LB-A	24"-36"	1742	2283	2
BH200LB-B	36"-48"	1980	2547	*
BH200LB-C	48"-54"	2296	3009	*
WITH DUAL & SINGLE BLOWERS (900 CFM)				
BH300LB-D	42"-54"	2824	3642	*
WITH TWO DUAL BLOWERS (1200 CFM)				
BH400LB-E	48"-66"	3537	4501	*

*2 LIGHTS FOR HOODS 24"-41", 3 LIGHTS FOR HOODS 42"-53", 4 LIGHTS FOR HOODS 54"-66"

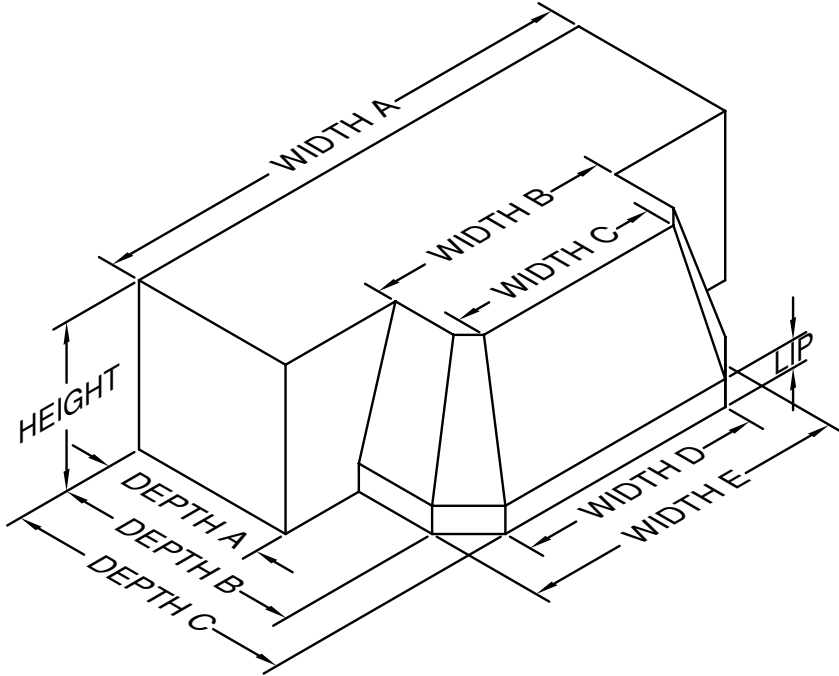
TRIM KIT INCLUDED
DIMENSIONS BELOW ARE AVAILABLE
AT NO ADDITIONAL COST.

BOTTOM DEPTH:	16" - 24"
HEIGHT:	12"
TOP DEPTH:	12"
LIP:	3"

CUSTOM WALL MOUNT LINER INSERT VARIATIONS

WIDTHS OVER 66"	PAINTED	STAINLESS	LIP (OTHER THAN 3" STANDARD)	
FOR EACH 6" INCREMENT	184	264	ADD	409
PLUS		238	SPECIAL TOP DEPTH (12" MINIMUM)	
SPECIAL HEIGHT (OTHER THAN 12" STANDARD)			ADD	409
9" MINIMUM, 18" MAXIMUM			ADDITIONAL BLOWERS & LIGHTS	
ADD		409	SEE PAGE 86 FOR BLOWER OPTIONS	
DEPTH OVER 24"			REMOTE BLOWER OPTIONS	
WIDTH x EXTRA DEPTH x	PAINTED	STAINLESS	SEE PAGES 86-87 FOR REMOTE BLOWER OPTIONS	
PLUS	1.17	1.74	CUSTOM COLOR (SEE CUSTOM COLOR CHART)	
		409	ADD	720
			WARMING LAMPS AND SHELVES	
			SEE PAGES 89 FOR WARMING LAMP AND SHELF OPTIONS	

BH-LA CUSTOM WALL MOUNT LINER INSERT



MODEL NO.	WIDTH	PAINTED	STAINLESS	#LTS
WITH SINGLE BLOWER (300 CFM)				
BH100LA-A	24"-36"	2112	2653	2
WITH DUAL BLOWER (600 CFM)				
BH200LA-A	24"-36"	2534	3088	2
BH200LA-B	36"-48"	2772	3352	*
BH200LA-C	48"-54"	3088	3814	*
WITH DUAL & SINGLE BLOWERS (900 CFM)				
BH300LA-D	42"-54"	3616	4448	*
WITH TWO DUAL BLOWERS (1200 CFM)				
BH400LA-E	48"-66"	4329	5293	*

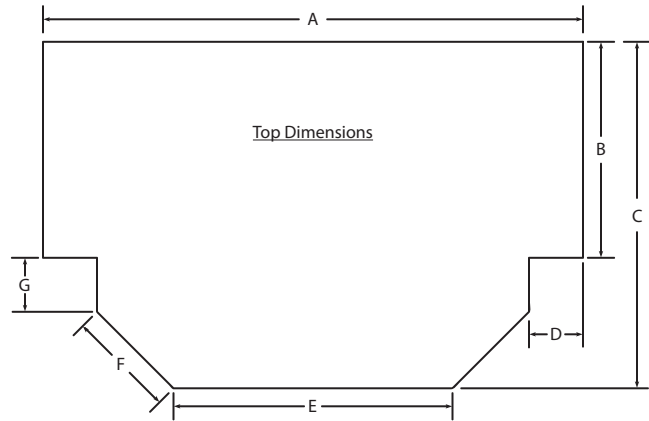
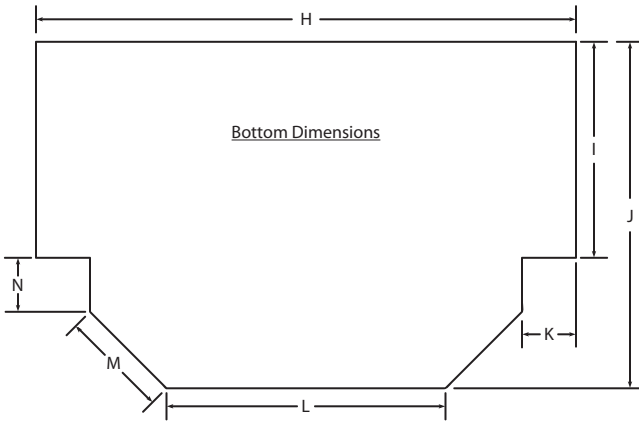
*2 LIGHTS FOR HOODS 24"-41", 3 LIGHTS FOR HOODS 42"-53", 4 LIGHTS FOR HOODS 54"-66"

TRIM KIT INCLUDED
DIMENSIONS BELOW ARE AVAILABLE
AT NO ADDITIONAL COST.

BOTTOM DEPTH:	16" - 24"
HEIGHT:	12"
TOP DEPTH:	12"
LIP:	3"

USE VP562 TRANSITION (OPTIONAL) ON 900 CFM MODELS TO COMBINE OUTLETS INTO A SINGLE 10" DUCT.

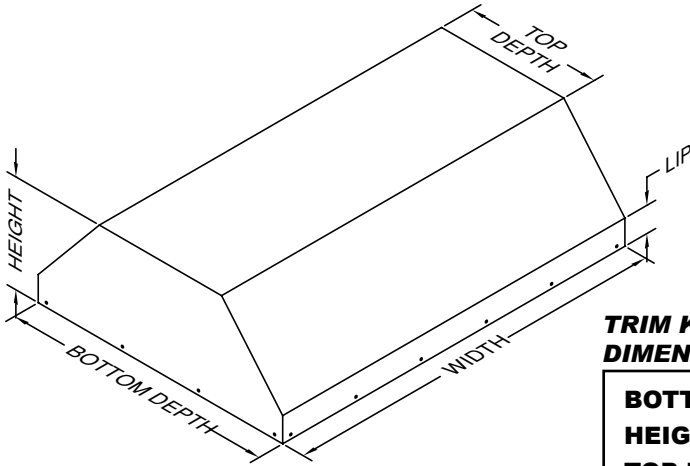
USE VP563 TRANSITION (OPTIONAL) ON 1200 CFM MODELS TO COMBINE OUTLETS INTO A SINGLE 12" DUCT.



CUSTOM WALL MOUNT LINER INSERT VARIATIONS

WIDTHS OVER 66"	PAINTED	STAINLESS	LIP (OTHER THAN 3" STANDARD)	
FOR EACH 6" INCREMENT PLUS	184	264	ADD	409
		238	SPECIAL TOP DEPTH (12" MINIMUM)	
			ADD	409
SPECIAL HEIGHT (OTHER THAN 12" STANDARD)			ADDITIONAL BLOWERS & LIGHTS	
9" MINIMUM, 18" MAXIMUM			SEE PAGE 86 FOR BLOWER OPTIONS	
ADD		409	REMOTE BLOWER OPTIONS	
			SEE PAGES 86-87 FOR REMOTE BLOWER OPTIONS	
DEPTH OVER 24"	PAINTED	STAINLESS	CUSTOM COLOR (SEE CUSTOM COLOR CHART)	
WIDTH x EXTRA DEPTH x PLUS	1.17	1.74	ADD	720
		409	WARMING LAMPS AND SHELVES	
			SEE PAGES 89 FOR WARMING LAMP AND SHELF OPTIONS	

TH-LC & TH-LE CUSTOM ISLAND LINER INSERTS

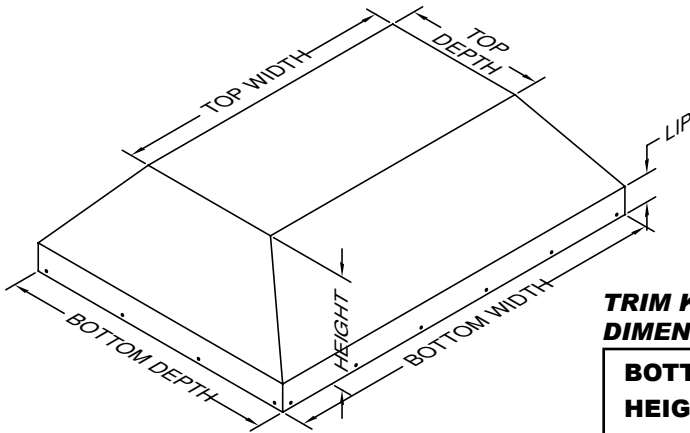


MODEL NO.	WIDTH	PAINTED	STAINLESS	#LTS
WITH DUAL BLOWER (550 CFM)*				
TH200LC-A	24"-36"	3036	3880	4
TH200LC-B	36"-48"	3220	4118	4
TH200LC-C	48"-54"	3471	4448	4
WITH TWO DUAL BLOWERS (1100 CFM)+				
TH2+200LC-E	48"-66"	4995	6362	*

EACH DUAL BLOWER REQUIRES 24" MINIMUM TOP WIDTH.
 #VP565 TRANSITION TO 8" ROUND INCLUDED WITH DUAL BLOWER
 +VP565 TRANSITION TO 8" ROUND INCLUDED WITH EACH DUAL BLOWER
 *4 LIGHTS FOR HOODS 48"-59", 8 LIGHTS FOR HOODS 60"-66"
 A CLUSTER BLOWER (1100 CFM) IS AVAILABLE ON MODELS WITH A MINIMUM TOP SIZE OF 24" WIDE X 24" DEEP. CONTACT THE FACTORY FOR ADDITIONAL DETAILS.

TRIM KIT INCLUDED
DIMENSIONS BELOW ARE AVAILABLE AT NO ADDITIONAL COST.

BOTTOM DEPTH:	27"
HEIGHT:	12"
TOP DEPTH:	12" LESS THAN BOTTOM DEPTH
LIP:	3"



MODEL NO.	WIDTH	PAINTED	STAINLESS	#LTS
WITH DUAL BLOWER (550 CFM)*				
TH200LE-A	24"-36"	3036	3880	4
TH200LE-B	36"-48"	3220	4118	4
TH200LE-C	48"-54"	3471	4448	4
WITH TWO DUAL BLOWERS (1100 CFM)+				
TH2+200LE-E	48"-66"	4995	6362	*

EACH DUAL BLOWER REQUIRES 24" MINIMUM TOP WIDTH.
 #VP565 TRANSITION TO 8" ROUND INCLUDED WITH DUAL BLOWER
 +VP565 TRANSITION TO 8" ROUND INCLUDED WITH EACH DUAL BLOWER
 *4 LIGHTS FOR HOODS 48"-59", 8 LIGHTS FOR HOODS 60"-66"
 A CLUSTER BLOWER (1100 CFM) IS AVAILABLE ON MODELS WITH A MINIMUM TOP SIZE OF 24" WIDE X 24" DEEP. CONTACT THE FACTORY FOR ADDITIONAL DETAILS.

TRIM KIT INCLUDED
DIMENSIONS BELOW ARE AVAILABLE AT NO ADDITIONAL COST.

BOTTOM DEPTH:	27"
HEIGHT:	12"
TOP WIDTH:	12" LESS THAN BOTTOM WIDTH
TOP DEPTH:	12" LESS THAN BOTTOM DEPTH
LIP:	3"

CUSTOM ISLAND LINER INSERT VARIATIONS				
WIDTHS OVER 66"		PAINTED	STAINLESS	LIP (OTHER THAN 3" STANDARD) ADD 409
	FOR EACH 6" INCREMENT PLUS	211	277	
SPECIAL HEIGHT (OTHER THAN 12" STANDARD) 9" MINIMUM, 18" MAXIMUM				REMOTE BLOWER OPTIONS SEE PAGES 86-87 FOR REMOTE BLOWER OPTIONS
	ADD		409	
DEPTH OVER 27"		PAINTED	STAINLESS	CUSTOM COLOR (SEE CUSTOM COLOR CHART) ADD 720
	WIDTH x EXTRA DEPTH x PLUS	1.32	2.14	

BLOWER OPTIONS & REMOTE BLOWERS

You may need to add a blower to hoods to increase CFM, depending on the cooking equipment being used. To add a blower to a hood, you need to have enough top space inside of the hood to do so. A Single Blower requires 16" of space, a Dual Blower requires 24" of space, an Island Dual Blower requires 12" D x 23 1/2" W, and an Island Cluster Blower requires 24" D x 24" W.

ADDING BLOWERS

Model	Volts	Amps	Hz	RPM	*CFM	**Equiv CFM	Painted	Stainless Steel
Single Blower	120	1.5	60	1550	300	450	408	504
Dual Blower	120	2.9	60	1550	600	900	792	924
Island Dual Blower	120	2.9	60	1550	550	900	816	1044
Island Cluster Blower	120	5.8	60	1550	1100	1800	1632	2088
RM1000	120	3.2	60	1100	945	N/A	1194	
RM1500	120	5.0	60	1130	1500	N/A	1500	

SensaSource® - Our patented speed control system that allows the blower to be turned to half speed for light cooking but automatically returns to high speed when heat rise is detected. This feature is standard on all Magic Lung® and K Series models with halogen lighting.

SensaSource®

Convert two-speed blower to auto-on SensaSource® control (one for each single or dual blower) 105 ea.

- * CFM rating is based on 0.0" static pressure (resistance in the ducting turns, roof caps, etc.) CFM rating will change as static pressure is increased. Static pressure increases due to ducting and length of duct run.
- ** Equivalent CFM refers to the fact that the Magic Lung® uses centrifugal filtration units, while others use conventional filters. Apply this guideline when comparing blower units made by other manufacturers.

There are certain customers who will want a remote blower range hood despite the benefits of the Magic Lung blower system. The following steps will help you when pricing remote blower hoods.

1. Specify how many and which filters you will be using. B20 SS filters are for wall mount or under cabinet installations and T20 SS filters are for island installations. We recommend one B20 SS or T20 SS for each 22" of hood top width.
2. Specify the size and number of remote blowers you will need. The RM1000 is equivalent to a B200 or T200 blower. The RM1500 is 50% larger.
3. For each remote blower, you will need to add an accessory kit. The accessory kit includes a variable speed blower controller, halogen lights, back draft dampers, and a 10" duct collar.

DEDUCTING BLOWERS FOR REMOTE BLOWER MODELS

BLOWER PRICING BELOW IS FOR USE IN CALCULATING DEDUCTIONS FOR REMOTE BLOWERS ONLY.		
MODEL	PAINTED	STAINLESS
B100 (SINGLE BLOWER)	408	504
B200 (DUAL BLOWER)	792	924
T200 (ISLAND DUAL BLOWER)	816	1044
T400 (ISLAND CLUSTER BLOWER)	1632	2088
SPECIAL COLLAR	238	

REMOTE BLOWERS & ACCESSORIES

HOOD SELECTION/PRICING WITH REMOTE BLOWERS

1. CHOOSE THE BASE MODEL HOOD THAT IS TO BE EQUIPPED WITH A REMOTE BLOWER.
2. DEDUCT THE PRICE OF THE INTERNAL BLOWER(S) FROM THE HOOD (SEE PREVIOUS PAGE).
3. ADD THE APPROPRIATE ACCESSORY KIT (SEE RIGHT).
4. ADD THE APPROPRIATE FILTERS (SEE BELOW).
5. ADD THE APPROPRIATE REMOTE BLOWER UNIT(S) (SEE BELOW).

HALOGEN LIGHT KITS

INCLUDES HALOGEN LIGHTS, TWO-STAGE LIGHT SWITCH, SOLID STATE MOTOR CONTROL SWITCH (VARIABLE SPEED) AND 10" DAMPER ASSEMBLY INSTALLED IN HOOD.

ACC.KIT-W-H2 (2 HALO LIGHTS/WALL MT)	516
ACC.KIT-W-H3 (3 HALO LIGHTS/WALL MT)	654
ACC.KIT-W-H4 (4 HALO LIGHTS/WALL MT)	792
ACC.KIT-I-H4 (4 HALO LIGHTS/ISLAND)	1074
ACC.KIT-I-H8 (8 HALO LIGHTS/ISLAND)	1614

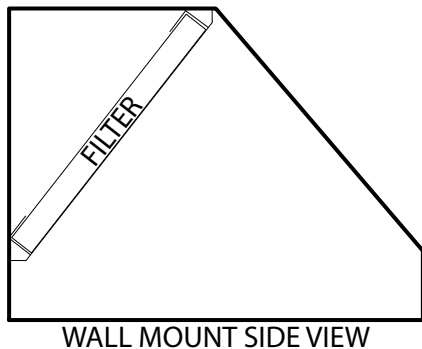
ACCESSORY KIT PARTS

SOLID STATE (VARIABLE SPEED) MOTOR
CONTROL WALL SWITCH (P1500W) 90

ACCESSORY KIT PARTS WHEN ORDERED WITH HOOD

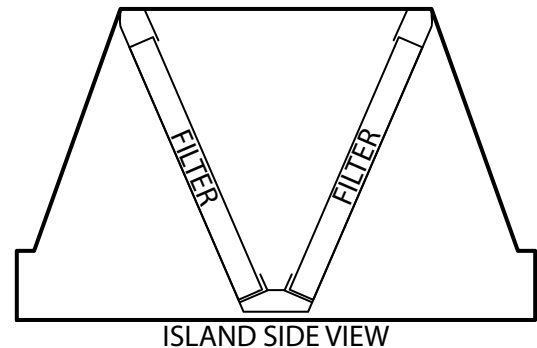
TO ADD MOTOR CONTROL WALL SWITCH ASSEMBLY
ADD (P1500R) 21

WALL MOUNT BAFFLE FILTER



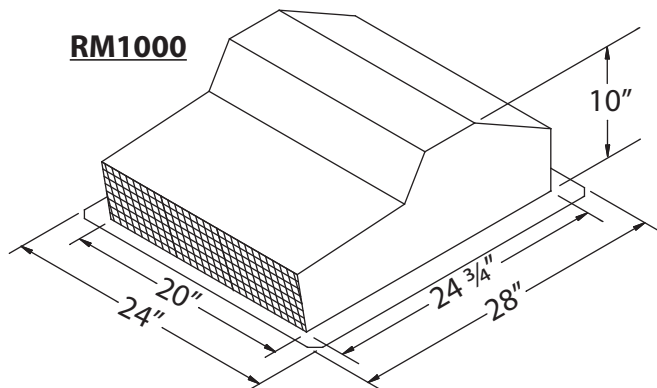
B20 SS (PER FILTER) 396
(SPECIFY ONE B20 SS FOR EACH 22" OF HOOD TOP WIDTH)

ISLAND BAFFLE FILTER

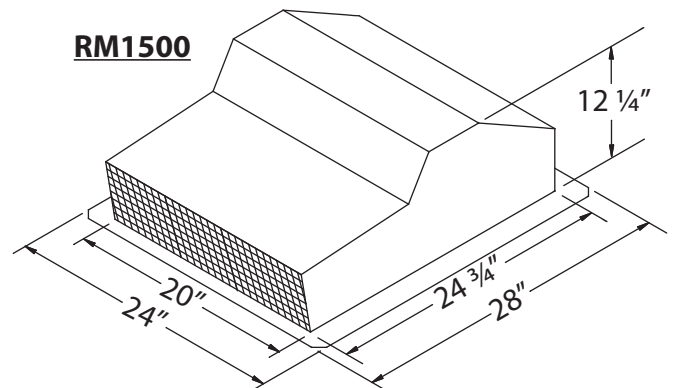


T20 SS (PER PAIR OF FILTERS) 792
(SPECIFY ONE PAIR OF T20 SS FOR EACH 22" OF HOOD TOP WIDTH)

REMOTE BLOWERS



RM1000 REMOTE BLOWER 1194



RM1500 REMOTE BLOWER 1500

SPLASH PANELS

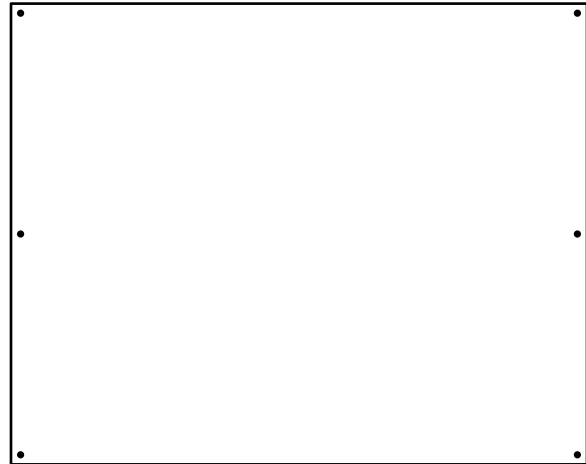
STANDARD SPLASH PANELS

PANEL SIZE	PAINTED	STAINLESS
30" W x 24" T	60	99
36" W x 24" T	73	118
42" W x 24" T	86	139
48" W x 24" T	92	158

PANEL SIZE	PAINTED	STAINLESS
30" W x 30" T	73	126
36" W x 30" T	86	152
42" W x 30" T	105	171
48" W x 30" T	118	198

SPECIAL SIZES (SPECIFY IF HEMS AND/OR HOLES ARE REQUIRED)

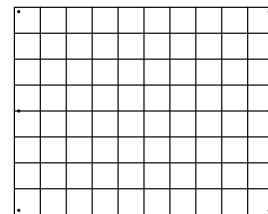
PER SQ INCH	0.13	0.20
-------------	------	------



HEMS AND HOLES ARE INCLUDED ON STANDARD SIZES, PRICE AS A CUSTOM PANEL IF HEMS AND/OR HOLES ARE NOT REQUIRED.

OVERLAY & PATTERNED SPLASH PANELS

PANEL SIZE	PAINTED	STAINLESS	OVERLAY
30" W x 24" T Pat.	165	204	343
36" W x 24" T Pat.	178	223	390
42" W x 24" T Pat.	191	244	435
48" W x 24" T Pat.	197	263	488

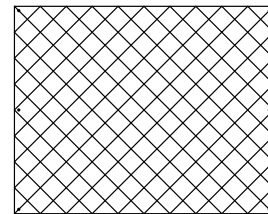


CHECKERBOARD

PANEL SIZE	PAINTED	STAINLESS	OVERLAY
30" W x 30" T Pat.	178	231	403
36" W x 30" T Pat.	191	257	462
42" W x 30" T Pat.	210	276	522
48" W x 30" T Pat.	223	303	580

SPECIAL SIZES (SPECIFY IF HEMS AND/OR HOLES ARE REQUIRED)

PER SQ INCH	0.13	0.20	0.30
PLUS		105	



DIAMOND

HEMS AND HOLES ARE INCLUDED ON STANDARD SIZES, PRICE AS A CUSTOM PANEL IF HEMS AND/OR HOLES ARE NOT REQUIRED.

OTHER SPLASH PANEL OPTIONS

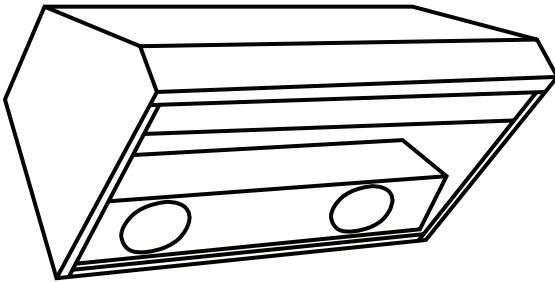
ORDERING NOTES AND OPTIONS:

PAINTED SPLASH PANELS MUST HAVE AT LEAST ONE HOLE IN THEM TO ALLOW FOR PAINTING.

FOR CUT-OUTS OR SPECIAL BREAKS, ADD	27
CRATING CHARGE FOR PANELS TOO LARGE TO PACKAGE WITH HOOD, ADD	46
MINIMUM CHARGE ON SMALL PANELS	27

WARMING LAMPS & SHELVES

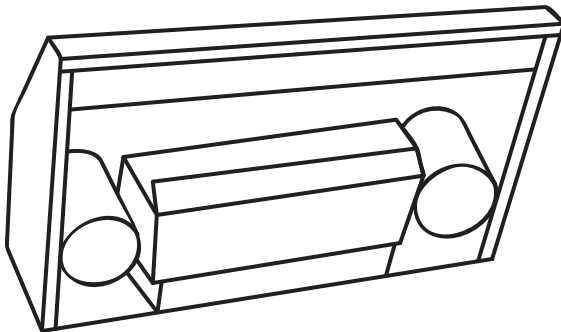
WARMING BAR



FOR USE IN HOODS 18" OR TALL.
NOT AVAILABLE ON HOODS WITH DECKS BELOW 18".
BULBS NOT INCLUDED.

<u>MODEL NO.</u>		<u>PRICE</u>
WBAR	INCLUDES 2 LIGHTS	409
FOR ADDITIONAL LIGHTS, ADD		409
PLUS, PER LIGHT		244

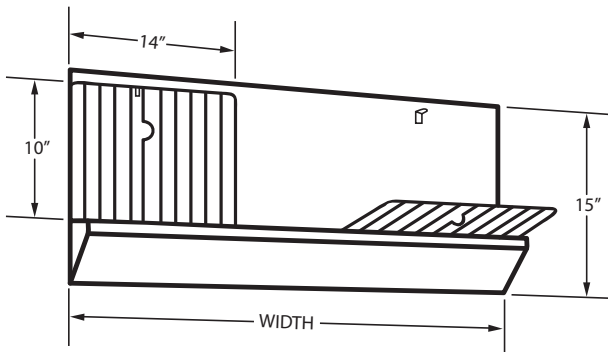
WARMING LAMP HOUSING



FOR USE IN HOODS UNDER 18" TALL.
8" TOP DIMENSION REQUIRED PER FIXTURE.
BULBS NOT INCLUDED.

<u>MODEL NO.</u>	<u>PRICE PER LIGHT</u>
WL-1	244

WARMING SHELF



TWO FOLD DOWN SHELVES ON A BACKSPLASH.
MOUNTED ON A 3 1/2" DEEP LEDGE.
EACH SHELF IS 10" DEEP x 14" WIDE.
STAINLESS BACKSPLASH IS 15" TALL.

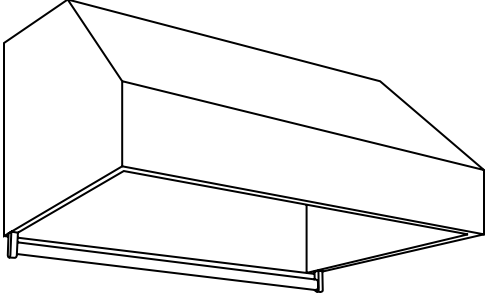
<u>MODEL NO.</u>	<u>WIDTH</u>	<u>PRICE</u>
WS030	30"	488
WS036	36"	535
WS042	42"	574
WS048	48"	627
WS054	54"	667
WS060	60"	712
WS066	66"	752
WS072	72"	805

<u>MODEL NO.</u>	<u>DESCRIPTION</u>	<u>PRICE</u>
P1415	Additional Shelf	244
<u>WS0 WITH NON-STANDARD WIDTH</u>		<u>PRICE</u>
USE NEXT LARGEST SIZE ON PRICE LIST		
PLUS		244

ACCESSORY RAIL

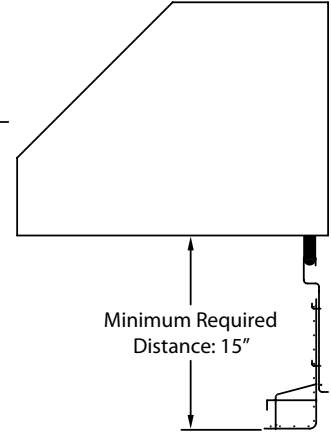
MODEL WR0

WR0 kit installed on hood includes mounting hardware, accessory rail, two hanger brackets, and two warming shelves with spice racks.



MODEL NO.	WIDTH	PRICE
WR030	30"	474
WR036	36"	480
WR042	42"	480
WR048	48"	498
WR054	54"	498
WR060	60"	498
WR066	66"	582
WR072	72"	600
UP TO 120"		600

SPECIAL WIDTH: USE NEXT LARGEST SIZE.



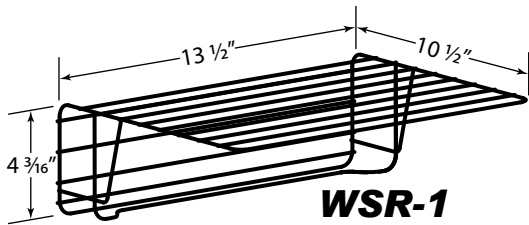
MODEL WR0L

For use with liner inserts. Specify exact width between cabinets. Use next largest size price for WR0 listed to the right. Kit includes mounting end caps, accessory rail, two hanger brackets, and two warming shelves with spice racks.

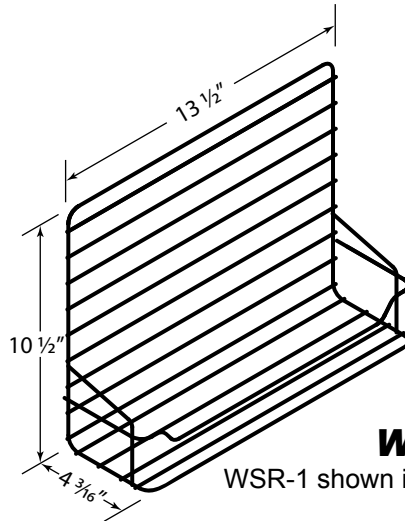
Hood must be at least 30" wide to allow sufficient space for two hanging brackets.

The minimum for hoods with the SL lip is 32" due to the decorative features of the SL lip.

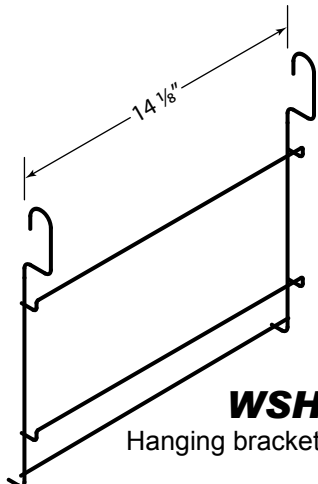
ADDITIONAL SHELVES/SPICE RACKS



WSR-1 shown in warming shelf position.



WSR-1 shown in spice rack position.

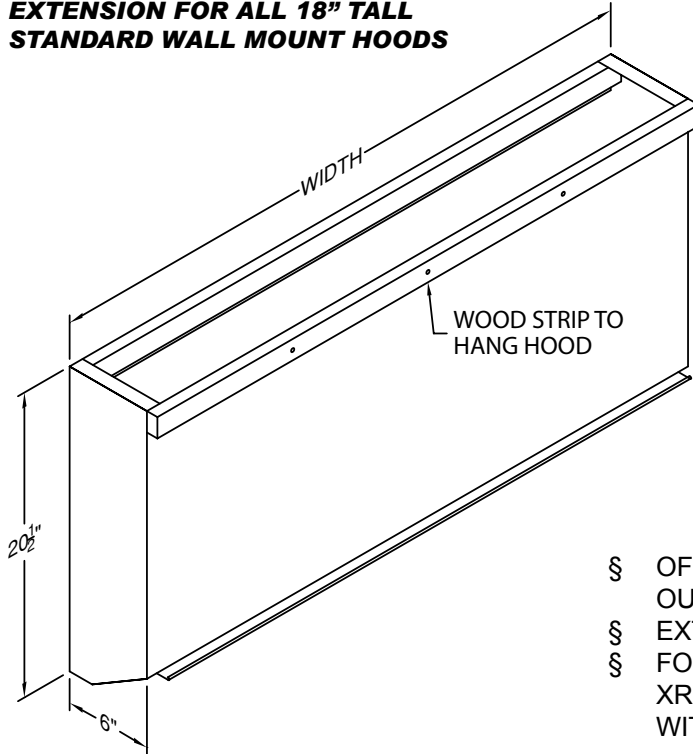


WSH-1
Hanging bracket for WSR-1.

MODEL NO.	DESCRIPTION	PRICE
WSR-1	Warming Shelf/Spice Rack	108
WSH-1	Hanging Bracket	60
WR0-EC	End Cap (2 Req.)	27

BBQ EXTENSION

EXTENSION FOR ALL 18" TALL STANDARD WALL MOUNT HOODS



MODEL NO.	WIDTH	PAINTED	STAINLESS
BBE30	30"	448	627
BBE36	36"	469	733
BBE42	42"	482	805
BBE48	48"	501	858
BBE54	54"	522	924
BBE60	60"	541	984

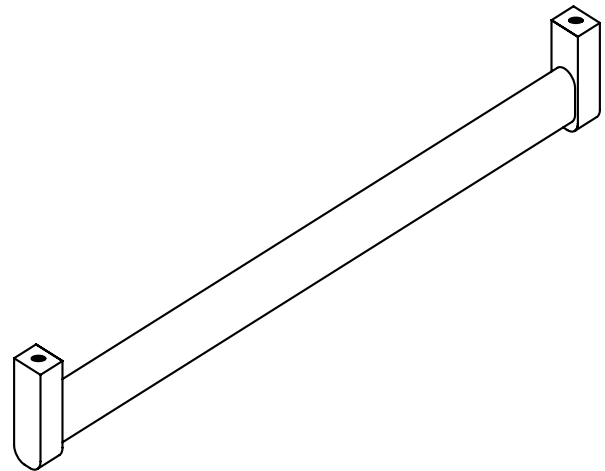
PRODUCT FEATURES

- § OFFERS MAXIMUM CANOPY EXPOSURE OVER OUTDOOR GRILL APPLICATIONS
- § EXTENDS PROJECTION TO 30" OR 33" DEEP
- § FOR USE WITH PRH18, PRXH18, NPH18, NPXH18, XRH18, OR XRXH18 MODELS WHEN NOT EQUIPPED WITH A WARMING BAR.

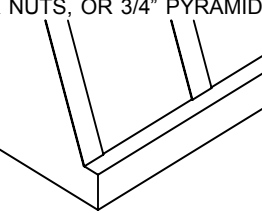

WR ACCESSORY RAIL

FOR USE WITH BBQ EXTENSION KIT.
AVAILABLE IS SS FINISH ONLY.

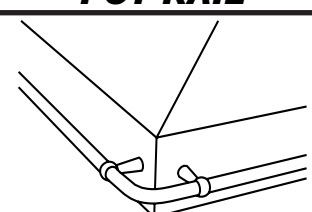
MODEL NO.	PRICE
WR-30	126
WR-36	139
WR-42	139
WR-48	145
WR-54	145
WR-60	145

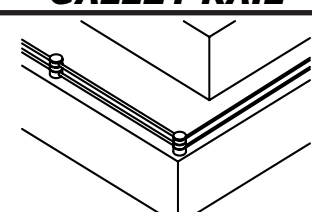



BANDS, FINISHES, & POT RAILS

VERTICAL BANDS		LIP TREATMENT (LIT)	
	18 GAUGE*		18 GAUGE*
1/2" WIDE: EACH BAND (UP TO 30")	180	18 GAUGE, PER INCH, ADD	6.00
1" WIDE: EACH BAND (UP TO 30")	180	1/8" THICK x 1" TALL SOLID BRUSHED SS	
2" WIDE: EACH BAND (UP TO 30")	180	PER INCH, ADD	6.60
TALLER THAN 30", PER INCH PER BAND, ADD	6.00	1/4" THICK x 1" TALL SOLID BRASS, SOLID COPPER, OR BRUSHED SS PER INCH, ADD	7.20**
<p>* 18 GAUGE VERTICAL BANDS ARE ATTACHED WITH LAMINATE. 18 GAUGE VERTICAL BANDS CAN BE ATTACHED WITH 1/4" RIVETS, 1/2" RIVETS, 3/8" HEX NUTS, 1/2" HEX NUTS, OR 3/4" PYRAMID CLAVOS BY REQUEST. HAMMERED COPPER MATERIAL IS THINNER THAN 18 GAUGE MATERIAL. ATTACHMENTS ARE REQUIRED FOR HAMMERED COPPER BANDS AND FOR BANDS ON HAMMERED COPPER HOODS.</p> 		<p>* 18 GAUGE L/T IS ATTACHED WITH LAMINATE. 18 GAUGE L/T CAN BE ATTACHED WITH 1/4" RIVETS, 1/2" RIVETS, 3/8" HEX NUTS, 1/2" HEX NUTS, OR 3/4" PYRAMID CLAVOS BY REQUEST. HAMMERED COPPER MATERIAL IS THINNER THAN 18 GAUGE MATERIAL. ATTACHMENTS ARE REQUIRED FOR BANDS ON HAMMERED COPPER HOODS. ** MUST BE ATTACHED WITH 1/2" RIVETS.</p> 	

HEAVY VERTICAL BANDS		CORNER BANDS	
SOLID BRASS, SOLID COPPER, OR BRUSHED SS		CORNER BANDS FOR STRAIGHT EDGES*	
1/8" THICK x 1" WIDE SS, EACH (UP TO 30")	198 *	1" x 1", EACH (UP TO 30")	360
TALLER THAN 30" PER INCH PER BAND, ADD	6.60	2" x 2", EACH (UP TO 30")	360
1/4" THICK x 1" WIDE, EACH (UP TO 30")	216 *	TALLER THAN 30", PER INCH PER BAND, ADD	12.00
TALLER THAN 30", PER INCH PER BAND, ADD	7.20 *	CORNER BANDS FOR CONVEX/CONCAVE EDGES*	
* MUST BE ATTACHED WITH 1/2" RIVETS.		1" x 1", EACH (UP TO 30")	720
		2" x 2", EACH (UP TO 30")	720
		TALLER THAN 30", PER INCH PER BAND, ADD	24.00
		* ATTACHED WITH LAMINATE. CAN BE ATTACHED WITH 1/4" RIVETS, 1/2" RIVETS, 3/8" HEX NUTS, 1/2" HEX NUTS, OR 3/4" PYRAMID CLAVOS BY REQUEST. +1" x 1" ATTACHED WITH 1/4" RIVETS. 2" x 2" ATTACHED WITH 1/2" RIVETS. CAN BE ATTACHED WITH 3/8" HEX NUTS, 1/2" HEX NUTS, OR 3/4" PYRAMID CLAVOS BY REQUEST. AVAILABLE IN PAINTED FINISHES OR STAINLESS STEEL ONLY. ALL CORNER BANDS ARE 18 GAUGE.	

POT RAIL	
	
TUBULAR (5/8" DIAMETER)	
BRASS, CHROME, OR COPPER:	
PER INCH*	9.60
ADDITIONAL HOOKS AVAILABLE IN SS, COPPER, OR BRASS	
P011: EACH	9.60
* For pot rail that is less than the overall width or depth of the hood, charge for full width or depth. Examples- A 24" deep hood with 3" of pot rail on a side is priced as 24" of pot rail. A 48" wide hood with 36" of pot rail on the front is priced as 48" of pot rail.	

GALLEY RAIL	
	
GALLEY RAIL	
STAINLESS STEEL:	
PER INCH	7.20

FIXED RAIL	
	
FIXED LENGTH SS RAIL (EACH)	
PR21 SS (19.53")	120
PR24 SS (22.05")	138
PR27 SS (24.57")	150
PR30 SS (28.35")	180

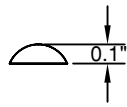
COLORS	STANDARD	SPECIAL	CUSTOM	ANTIQUE	ANTIQUE TRIM
	BISCUIT (BT) BLACK SATIN (BL) GUNSMOKE (GS) WHITE (WH)	BLACK CARBIDE (BC) BLACK RIVER (BR) COPPER VEIN (CV) OIL RUBBED BRONZE (ORB) PEWTER (PTR) RUST (RT) RUST VEIN (RV) SILVER VEIN (SV) SLATE (SL)	RAL PAINT COLORS A custom color chart is available for custom colors.	CAN BE APPLIED TO: COPPER OVERLAYS ARTISAN CAN BE APPLIED TO: STAINLESS STEEL	BRASS BANDS & L/T COPPER BANDS & L/T ARTISAN TRIM SS BANDS & L/T
Color Charges: ADD	NO CHARGE	270	720	900	270
				CHARGE FOR EACH HOOD OR DUCT COVER.	CHARGE ONCE FOR ALL TRIM ON A HOOD AND DUCT COVER ASSEMBLY.

BAND & LIP TREATMENT ATTACHMENT OPTIONS

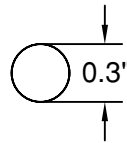
1/4" RIVETS



3D View



Side View



Top View

1/4" RIVETS ARE STANDARD ON 1" x 1" CONVEX/ CONCAVE CORNER BANDS.

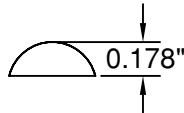
1/4" RIVETS ARE OPTIONAL ON 18 GA. LIP TREATMENT, 18 GA. VERTICAL BANDS, AND STRAIGHT CORNER BANDS. ADDITIONAL CHARGES MAY APPLY.

1/4" RIVETS ARE AVAILABLE IN ALL BAND FINISHES (PAINTED TO MATCH).

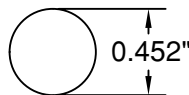
1/2" RIVETS



3D View



Side View



Top View

1/2" RIVETS ARE STANDARD ON 2" x 2" CONVEX/ CONCAVE CORNER BANDS AND ARE REQUIRED ON 1/4" x 1" HEAVY VERTICAL BANDS AND LIP TREATMENT.

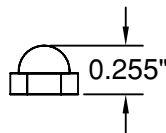
1/2" RIVETS ARE OPTIONAL ON 18 GA. LIP TREATMENT, 18 GA. VERTICAL BANDS, AND STRAIGHT CORNER BANDS. ADDITIONAL CHARGES MAY APPLY.

1/2" RIVETS ARE AVAILABLE IN ALL BAND FINISHES (PAINTED TO MATCH).

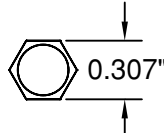
3/8" HEX NUTS



3D View



Side View

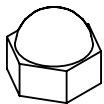


Top View

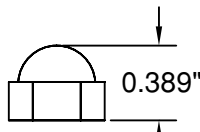
3/8" HEX NUTS ARE OPTIONAL ON 18 GA. LIP TREATMENT, 18 GA. VERTICAL BANDS, AND CORNER BANDS. ADDITIONAL CHARGES MAY APPLY.

3/8" HEX NUTS ARE AVAILABLE IN ALL BAND FINISHES (BRASS, STAINLESS STEEL, OR PAINTED TO MATCH).

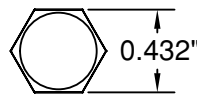
1/2" HEX NUTS



3D View



Side View

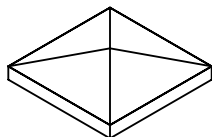


Top View

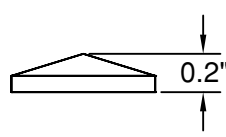
1/2" HEX NUTS ARE OPTIONAL ON 18 GA. LIP TREATMENT, 18 GA. VERTICAL BANDS, AND CORNER BANDS. ADDITIONAL CHARGES MAY APPLY.

1/2" HEX NUTS ARE AVAILABLE IN ALL BAND FINISHES (BRASS, STAINLESS STEEL, OR PAINTED TO MATCH).

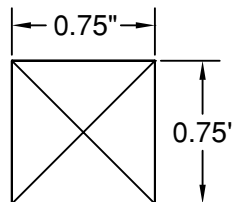
3/4" PYRAMID CLAVOS



3D View



Side View



Top View

3/4" PYRAMID CLAVOS ARE OPTIONAL ON 18 GA. LIP TREATMENT, 18 GA. VERTICAL BANDS, AND CORNER BANDS. ADDITIONAL CHARGES MAY APPLY.

3/4" PYRAMID CLAVOS ARE AVAILABLE IN COPPER AND STAINLESS STEEL FINISHES.

3/4" PYRAMID CLAVOS CAN BE ROTATED 45 DEGREES FOR A MORE DECORATIVE APPEARANCE. NOTE: 3/4" PYRAMID CLAVOS ARE OVER 1" WIDE WHEN TURNED TO A 45 DEGREE "DIAMOND" ANGLE.

NOTE: SECTION TITLES ARE ROUNDED FOR CONVENIENCE PURPOSES AND DO NOT REPRESENT EXACT SIZES.

STANDARD BAND & LIP TREATMENT ATTACHMENT METHODS

BAND/LIP TREATMENT	STANDARD ATTACHMENT	ADDITIONAL ATTACHMENT OPTIONS
18 Gauge Vertical Band	Laminate	1/4" Rivets, 1/2" Rivets, 3/8" Hex Nuts, 1/2" Hex Nuts, and 3/4" Pyramid Clavos
1/8" or 1/4" x 1" Heavy Vertical Band	1/2" Rivets	N/A
18 Gauge Lip Treatment	Laminate	1/4" Rivets, 1/2" Rivets, 3/8" Hex Nuts, 1/2" Hex Nuts, and 3/4" Pyramid Clavos
1/8" or 1/4" x 1" Heavy Lip Treatment	1/2" Rivets	N/A
Straight Corner Band	Laminate	1/4" Rivets, 1/2" Rivets, 3/8" Hex Nuts, 1/2" Hex Nuts, and 3/4" Pyramid Clavos
Convex or Concave Corner Band	1" x 1" - 1/4" Rivets, 2" x 2" - 1/2" Rivets	1/2" Rivets, 3/8" Hex Nuts, 1/2" Hex Nuts, and 3/4" Pyramid Clavos

Decorative attachments will be placed by the factory for best appearance. To specify locations, add per inch

6.00

MAP - CAN

11/6/15

email: customer_service@ventahood.com

website: www.ventahood.com

Page 93

THE INFORMATION IN THIS DOCUMENT IS SUBJECT TO CHANGE AT ANY TIME WITHOUT NOTICE.

VENT-A-HOOD VENTING ACCESSORIES

PRICES DO NOT INCLUDE SHIPPING & HANDLING CHARGES.

<p>WALL LOUVER</p> <table border="1"> <thead> <tr> <th>MODEL</th> <th>DESCRIPTION</th> <th>PRICE</th> </tr> </thead> <tbody> <tr> <td>VP526</td> <td>6" Round</td> <td>\$72.85</td> </tr> <tr> <td>VP527</td> <td>7" Round</td> <td>\$72.85</td> </tr> <tr> <td>VP528</td> <td>8" Round</td> <td>\$72.85</td> </tr> </tbody> </table>	MODEL	DESCRIPTION	PRICE	VP526	6" Round	\$72.85	VP527	7" Round	\$72.85	VP528	8" Round	\$72.85	<p>WALL LOUVER</p> <table border="1"> <thead> <tr> <th>MODEL</th> <th>DESCRIPTION</th> <th>PRICE</th> </tr> </thead> <tbody> <tr> <td>VP554</td> <td>10" Round</td> <td>\$103.85</td> </tr> </tbody> </table>	MODEL	DESCRIPTION	PRICE	VP554	10" Round	\$103.85	<p>WALL LOUVER</p> <table border="1"> <thead> <tr> <th>MODEL</th> <th>DESCRIPTION</th> <th>PRICE</th> </tr> </thead> <tbody> <tr> <td>VP555</td> <td>12" Round</td> <td>\$103.85</td> </tr> </tbody> </table>	MODEL	DESCRIPTION	PRICE	VP555	12" Round	\$103.85	<p>RECTANGULAR WALL LOUVER</p> <table border="1"> <thead> <tr> <th>MODEL</th> <th>DESCRIPTION</th> <th>PRICE</th> </tr> </thead> <tbody> <tr> <td>VP538</td> <td>6" x 8-1/2"</td> <td>\$72.85</td> </tr> <tr> <td>VP560</td> <td>3-1/4" x 10"</td> <td>\$52.70</td> </tr> </tbody> </table>	MODEL	DESCRIPTION	PRICE	VP538	6" x 8-1/2"	\$72.85	VP560	3-1/4" x 10"	\$52.70									
MODEL	DESCRIPTION	PRICE																																											
VP526	6" Round	\$72.85																																											
VP527	7" Round	\$72.85																																											
VP528	8" Round	\$72.85																																											
MODEL	DESCRIPTION	PRICE																																											
VP554	10" Round	\$103.85																																											
MODEL	DESCRIPTION	PRICE																																											
VP555	12" Round	\$103.85																																											
MODEL	DESCRIPTION	PRICE																																											
VP538	6" x 8-1/2"	\$72.85																																											
VP560	3-1/4" x 10"	\$52.70																																											
<p>LOW PROFILE ROOF JACK (MAXIMUM 4/12 PITCH)</p> <table border="1"> <thead> <tr> <th>MODEL</th> <th>DESCRIPTION</th> <th>PRICE</th> </tr> </thead> <tbody> <tr> <td>VP539</td> <td>6" Round</td> <td>\$72.85</td> </tr> <tr> <td>VP540</td> <td>7" Round</td> <td>\$72.85</td> </tr> <tr> <td>VP541</td> <td>8" Round</td> <td>\$72.85</td> </tr> </tbody> </table>	MODEL	DESCRIPTION	PRICE	VP539	6" Round	\$72.85	VP540	7" Round	\$72.85	VP541	8" Round	\$72.85	<p>LOW PROFILE ROOF JACK (MAXIMUM 4/12 PITCH)</p> <table border="1"> <thead> <tr> <th>MODEL</th> <th>DESCRIPTION</th> <th>PRICE</th> </tr> </thead> <tbody> <tr> <td>VP552</td> <td>10" Round</td> <td>\$156.55</td> </tr> <tr> <td>VP553</td> <td>12" Round</td> <td>\$156.55</td> </tr> </tbody> </table>	MODEL	DESCRIPTION	PRICE	VP552	10" Round	\$156.55	VP553	12" Round	\$156.55	<p>LOW PROFILE ROOF JACK (MINIMUM 4/12 PITCH)</p> <table border="1"> <thead> <tr> <th>MODEL</th> <th>DESCRIPTION</th> <th>PRICE</th> </tr> </thead> <tbody> <tr> <td>VP539-HP</td> <td>6" Round</td> <td>\$72.85</td> </tr> <tr> <td>VP540-HP</td> <td>7" Round</td> <td>\$72.85</td> </tr> <tr> <td>VP541-HP</td> <td>8" Round</td> <td>\$72.85</td> </tr> </tbody> </table>	MODEL	DESCRIPTION	PRICE	VP539-HP	6" Round	\$72.85	VP540-HP	7" Round	\$72.85	VP541-HP	8" Round	\$72.85	<p>LOW PROFILE ROOF JACK (MINIMUM 4/12 PITCH)</p> <table border="1"> <thead> <tr> <th>MODEL</th> <th>DESCRIPTION</th> <th>PRICE</th> </tr> </thead> <tbody> <tr> <td>VP552-HP</td> <td>10" Round</td> <td>\$156.55</td> </tr> <tr> <td>VP553-HP</td> <td>12" Round</td> <td>\$156.55</td> </tr> </tbody> </table>	MODEL	DESCRIPTION	PRICE	VP552-HP	10" Round	\$156.55	VP553-HP	12" Round	\$156.55
MODEL	DESCRIPTION	PRICE																																											
VP539	6" Round	\$72.85																																											
VP540	7" Round	\$72.85																																											
VP541	8" Round	\$72.85																																											
MODEL	DESCRIPTION	PRICE																																											
VP552	10" Round	\$156.55																																											
VP553	12" Round	\$156.55																																											
MODEL	DESCRIPTION	PRICE																																											
VP539-HP	6" Round	\$72.85																																											
VP540-HP	7" Round	\$72.85																																											
VP541-HP	8" Round	\$72.85																																											
MODEL	DESCRIPTION	PRICE																																											
VP552-HP	10" Round	\$156.55																																											
VP553-HP	12" Round	\$156.55																																											
<p>ADJUSTABLE ELBOW</p> <table border="1"> <thead> <tr> <th>MODEL</th> <th>DESCRIPTION</th> <th>PRICE</th> </tr> </thead> <tbody> <tr> <td>VP513</td> <td>6" Round</td> <td>\$21.70</td> </tr> <tr> <td>VP514</td> <td>7" Round</td> <td>\$21.70</td> </tr> <tr> <td>VP515</td> <td>8" Round</td> <td>\$21.70</td> </tr> </tbody> </table>	MODEL	DESCRIPTION	PRICE	VP513	6" Round	\$21.70	VP514	7" Round	\$21.70	VP515	8" Round	\$21.70	<p>BACK/SIDE VENT ELBOW</p> <table border="1"> <thead> <tr> <th>MODEL</th> <th>DESCRIPTION</th> <th>PRICE</th> </tr> </thead> <tbody> <tr> <td>VP561</td> <td>8" to 6" x 8-1/2"</td> <td>\$29.45</td> </tr> </tbody> </table>	MODEL	DESCRIPTION	PRICE	VP561	8" to 6" x 8-1/2"	\$29.45	<p>3 1/4" x 10" BACK VENT ELBOW</p> <table border="1"> <thead> <tr> <th>MODEL</th> <th>DESCRIPTION</th> <th>PRICE</th> </tr> </thead> <tbody> <tr> <td>VP559</td> <td>3-1/4" x 10"</td> <td>\$29.45</td> </tr> </tbody> </table>	MODEL	DESCRIPTION	PRICE	VP559	3-1/4" x 10"	\$29.45	<p>3 1/4" x 10" TO 7" TRANSITION</p> <table border="1"> <thead> <tr> <th>MODEL</th> <th>DESCRIPTION</th> <th>PRICE</th> </tr> </thead> <tbody> <tr> <td>VP521</td> <td>3-1/4" x 10 to 7"</td> <td>\$29.45</td> </tr> </tbody> </table>	MODEL	DESCRIPTION	PRICE	VP521	3-1/4" x 10 to 7"	\$29.45												
MODEL	DESCRIPTION	PRICE																																											
VP513	6" Round	\$21.70																																											
VP514	7" Round	\$21.70																																											
VP515	8" Round	\$21.70																																											
MODEL	DESCRIPTION	PRICE																																											
VP561	8" to 6" x 8-1/2"	\$29.45																																											
MODEL	DESCRIPTION	PRICE																																											
VP559	3-1/4" x 10"	\$29.45																																											
MODEL	DESCRIPTION	PRICE																																											
VP521	3-1/4" x 10 to 7"	\$29.45																																											
<p>MULTI-BLOWER TRANSITION</p> <table border="1"> <thead> <tr> <th>MODEL</th> <th>DESCRIPTION</th> <th>PRICE</th> </tr> </thead> <tbody> <tr> <td>VP562</td> <td>6" & 8" to 10"</td> <td>\$156.55</td> </tr> <tr> <td>VP563</td> <td>8" & 8" to 12"</td> <td>\$156.55</td> </tr> </tbody> </table>	MODEL	DESCRIPTION	PRICE	VP562	6" & 8" to 10"	\$156.55	VP563	8" & 8" to 12"	\$156.55	<p>M1200 STANDARD TRANSITION</p> <table border="1"> <thead> <tr> <th>MODEL</th> <th>DESCRIPTION</th> <th>PRICE</th> </tr> </thead> <tbody> <tr> <td>VP566</td> <td>M1200 Transition</td> <td>\$57.35</td> </tr> </tbody> </table>	MODEL	DESCRIPTION	PRICE	VP566	M1200 Transition	\$57.35	<p>STANDARD ISLAND TRANSITION</p> <table border="1"> <thead> <tr> <th>MODEL</th> <th>DESCRIPTION</th> <th>PRICE</th> </tr> </thead> <tbody> <tr> <td>VP565</td> <td>5" x 16" to 8" Rnd</td> <td>\$57.35</td> </tr> </tbody> </table>	MODEL	DESCRIPTION	PRICE	VP565	5" x 16" to 8" Rnd	\$57.35	<p>CLUSTER BLOWER TRANSITION</p> <table border="1"> <thead> <tr> <th>MODEL</th> <th>DESCRIPTION</th> <th>PRICE</th> </tr> </thead> <tbody> <tr> <td>VP564</td> <td>8" & 8" to 12"</td> <td>\$57.35</td> </tr> </tbody> </table>	MODEL	DESCRIPTION	PRICE	VP564	8" & 8" to 12"	\$57.35															
MODEL	DESCRIPTION	PRICE																																											
VP562	6" & 8" to 10"	\$156.55																																											
VP563	8" & 8" to 12"	\$156.55																																											
MODEL	DESCRIPTION	PRICE																																											
VP566	M1200 Transition	\$57.35																																											
MODEL	DESCRIPTION	PRICE																																											
VP565	5" x 16" to 8" Rnd	\$57.35																																											
MODEL	DESCRIPTION	PRICE																																											
VP564	8" & 8" to 12"	\$57.35																																											
<p>OFFSET L & R TRANSITION FOR ISLAND BLOWERS</p> <table border="1"> <thead> <tr> <th>MODEL</th> <th>DESCRIPTION</th> <th>PRICE</th> </tr> </thead> <tbody> <tr> <td>VP542</td> <td>Top Left</td> <td>\$57.35</td> </tr> <tr> <td>VP543</td> <td>Top Right</td> <td>\$57.35</td> </tr> </tbody> </table>	MODEL	DESCRIPTION	PRICE	VP542	Top Left	\$57.35	VP543	Top Right	\$57.35	<p>SIDE VENT TRANSITION L & R FOR ISLAND BLOWERS</p> <table border="1"> <thead> <tr> <th>MODEL</th> <th>DESCRIPTION</th> <th>PRICE</th> </tr> </thead> <tbody> <tr> <td>VP544</td> <td>Side Left</td> <td>\$57.35</td> </tr> <tr> <td>VP545</td> <td>Side Right</td> <td>\$57.35</td> </tr> </tbody> </table>	MODEL	DESCRIPTION	PRICE	VP544	Side Left	\$57.35	VP545	Side Right	\$57.35	<p>OFFSET KIT - ROUND</p> <table border="1"> <thead> <tr> <th>MODEL</th> <th>DESCRIPTION</th> <th>PRICE</th> </tr> </thead> <tbody> <tr> <td>VP529</td> <td>6" Rnd to 7" Rnd</td> <td>\$29.45</td> </tr> </tbody> </table>	MODEL	DESCRIPTION	PRICE	VP529	6" Rnd to 7" Rnd	\$29.45	<p>OFFSET KIT - RECTANGULAR</p> <table border="1"> <thead> <tr> <th>MODEL</th> <th>DESCRIPTION</th> <th>PRICE</th> </tr> </thead> <tbody> <tr> <td>VP550</td> <td>6" to 3-1/4" x 10"</td> <td>\$29.45</td> </tr> </tbody> </table>	MODEL	DESCRIPTION	PRICE	VP550	6" to 3-1/4" x 10"	\$29.45												
MODEL	DESCRIPTION	PRICE																																											
VP542	Top Left	\$57.35																																											
VP543	Top Right	\$57.35																																											
MODEL	DESCRIPTION	PRICE																																											
VP544	Side Left	\$57.35																																											
VP545	Side Right	\$57.35																																											
MODEL	DESCRIPTION	PRICE																																											
VP529	6" Rnd to 7" Rnd	\$29.45																																											
MODEL	DESCRIPTION	PRICE																																											
VP550	6" to 3-1/4" x 10"	\$29.45																																											
<p>"Y" TRANSITION</p> <table border="1"> <thead> <tr> <th>MODEL</th> <th>DESCRIPTION</th> <th>PRICE</th> </tr> </thead> <tbody> <tr> <td>VP517</td> <td>8" & 8" to 12"</td> <td>\$65.10</td> </tr> <tr> <td>VP518</td> <td>6" & 8" to 12"</td> <td>\$65.10</td> </tr> <tr> <td>VP551</td> <td>6" & 8" to 10"</td> <td>\$65.10</td> </tr> </tbody> </table>	MODEL	DESCRIPTION	PRICE	VP517	8" & 8" to 12"	\$65.10	VP518	6" & 8" to 12"	\$65.10	VP551	6" & 8" to 10"	\$65.10	<p>ROUND DUCT PIPE</p> <table border="1"> <thead> <tr> <th>MODEL</th> <th>DESCRIPTION</th> <th>PRICE</th> </tr> </thead> <tbody> <tr> <td>VP500</td> <td>6" Round</td> <td>\$24.80</td> </tr> <tr> <td>VP501</td> <td>7" Round</td> <td>\$24.80</td> </tr> <tr> <td>VP502</td> <td>8" Round</td> <td>\$24.80</td> </tr> </tbody> </table>	MODEL	DESCRIPTION	PRICE	VP500	6" Round	\$24.80	VP501	7" Round	\$24.80	VP502	8" Round	\$24.80	<p>3 1/4" RECTANGULAR DUCT PIPE</p> <table border="1"> <thead> <tr> <th>MODEL</th> <th>DESCRIPTION</th> <th>PRICE</th> </tr> </thead> <tbody> <tr> <td>VP504</td> <td>3-1/4" x 10"</td> <td>\$24.80</td> </tr> <tr> <td>VP505</td> <td>3-1/4" x 12"</td> <td>\$24.80</td> </tr> <tr> <td>VP506</td> <td>3-1/4" x 16"</td> <td>\$24.80</td> </tr> </tbody> </table>	MODEL	DESCRIPTION	PRICE	VP504	3-1/4" x 10"	\$24.80	VP505	3-1/4" x 12"	\$24.80	VP506	3-1/4" x 16"	\$24.80	<p>6" RECTANGULAR DUCT PIPE</p> <table border="1"> <thead> <tr> <th>MODEL</th> <th>DESCRIPTION</th> <th>PRICE</th> </tr> </thead> <tbody> <tr> <td>VP507</td> <td>6" x 8-1/2"</td> <td>\$24.80</td> </tr> </tbody> </table>	MODEL	DESCRIPTION	PRICE	VP507	6" x 8-1/2"	\$24.80
MODEL	DESCRIPTION	PRICE																																											
VP517	8" & 8" to 12"	\$65.10																																											
VP518	6" & 8" to 12"	\$65.10																																											
VP551	6" & 8" to 10"	\$65.10																																											
MODEL	DESCRIPTION	PRICE																																											
VP500	6" Round	\$24.80																																											
VP501	7" Round	\$24.80																																											
VP502	8" Round	\$24.80																																											
MODEL	DESCRIPTION	PRICE																																											
VP504	3-1/4" x 10"	\$24.80																																											
VP505	3-1/4" x 12"	\$24.80																																											
VP506	3-1/4" x 16"	\$24.80																																											
MODEL	DESCRIPTION	PRICE																																											
VP507	6" x 8-1/2"	\$24.80																																											

PARTS FOR VENT-A-HOOD PRODUCTS

PRICES DO NOT INCLUDE SHIPPING & HANDLING CHARGES.

<u>MOTORS</u>			<u>LIGHT BULBS</u>		
<u>PART NO.</u>	<u>DESCRIPTION</u>	<u>PRICE</u>	<u>PART NO.</u>	<u>DESCRIPTION</u>	<u>PRICE</u>
P1301-1	SINGLE SPEED WHITE MOTOR (CW)	\$109.04	P1110	GU10 HALOGEN BULB, 50 WATT	\$17.90
P1301-2	TWO SPEED WHITE MOTOR (CW)	\$109.04	P1120	F15/T8 FLUORESCENT BULB, 15 WATT	\$9.76
P1302-1	BLACK MOTOR (CCW)	\$109.04	P1130	PAR20 HALOGEN BULB, 50 WATT	\$17.90
P1315	K SERIES MOTOR	\$161.12	P1350	INTEGRATED LED BULB	\$75.12
P1900	ADAPTER (AMP PLUG/TWO PRONG PLUG)	\$6.51			
<u>BLOWER WHEELS</u>			<u>LIGHT FIXTURE COMPONENTS</u>		
<u>PART NO.</u>	<u>DESCRIPTION</u>	<u>PRICE</u>	<u>PART NO.</u>	<u>DESCRIPTION</u>	<u>PRICE</u>
P1305	WHITE BLOWER WHEEL (CW)	\$29.29	P1101	SP2 BALLAST (NEWER HOODS)	\$47.19
P1306	BLACK BLOWER WHEEL (CCW)	\$29.29	P1103	LEFT LAMPHOLDER	\$6.51
P1307	K SERIES BLOWER WHEEL	\$29.29	P1104	RIGHT LAMPHOLDER	\$6.51
<u>BLOWER HOUSINGS</u>			P1105	FS-2 STARTER	\$3.25
<u>PART NO.</u>	<u>DESCRIPTION</u>	<u>PRICE</u>	P1106	STARTER SOCKET	\$8.13
<i>SPECIFY HOOD COLOR</i>			P1122	HEAT LAMP SOCKET	\$13.02
P1029	B100/T200 BLOWER HSG w/DAMPER	\$89.51	P1123	PAR20 HALOGEN LAMP SOCKET	\$6.51
P1029E	B100/T200 EZ CLEAN HSG w/DAMPER	\$89.51	P1124	GU10 HALOGEN LAMP SOCKET	\$10.61
P1028	B200/T400 BLOWER HSG w/DAMPERS	\$172.51	<u>COMPLETE FLUORESCENT LIGHT FIXTURES</u>		
P1028E	B200/T400 EZ CLEAN HSG w/DAMPERS	\$172.51	<u>PART NO.</u>	<u>DESCRIPTION</u>	<u>PRICE</u>
P1030	T200 REVERSE BLOWER HSG w/DAMPER	\$89.51	<i>INCLUDES 18" FLUORESCENT BULB (P1120)</i>		
P1030E	T200 REVERSE EZ CLEAN HSG w/DAMPER	\$89.51	<i>SPECIFY MODEL, COLOR, AND SIZE OF HOOD</i>		
P1021	K SERIES BLOWER COVER (PAN)	\$40.68	<i>NOT AVAILABLE IN STAINLESS STEEL, USE GUNSMOKE</i>		
<u>BLOWER SHIELDS</u>			P1016	3" LIGHT BOX (WALL MOUNT & ISLAND)	\$118.80
<u>PART NO.</u>	<u>DESCRIPTION</u>	<u>PRICE</u>	P1018	2" LIGHT BOX (UNDER CABINET)	\$118.80
P1025	B100/T200 SHIELD (ENAMEL)	\$30.92	PxxxB	FIXTURE WITH BACK, ADD	\$16.27
P1025E	B100/T200 EZ CLEAN SHIELD (ENAMEL)	\$30.92	P1127	FLUORESCENT LIGHT DIFFUSER	\$16.27
P1027	B100/T200 SHIELD (STAINLESS)	\$30.92	<u>REPLACEMENT FILTERS</u>		
P1027E	B100/T200 EZ CLEAN SHIELD (STAINLESS)	\$30.92	<u>PART NO.</u>	<u>DESCRIPTION</u>	<u>PRICE</u>
P1024	B200/T400 SHIELD (ENAMEL)	\$40.68	P1501	CV FILTER (11-1/2" DIA. X 4-1/2"T)	\$32.55
P1024E	B200/T400 EZ CLEAN SHIELD (ENAMEL)	\$40.68	P1502A	MESH (16" x 20" x 2")	\$97.65
P1026	B200/T400 SHIELD (STAINLESS)	\$40.68	P1502B	MESH (10" x 20" x 2")	\$78.12
P1026E	B200/T400 EZ CLEAN SHIELD (STAINLESS)	\$40.68	P1506	SS BAFFLE (16" x 20" x 1-1/2")	\$244.12
P1610P	NICKEL SHIELD SCREW	\$6.51	P1506A	SS BAFFLE (10" x 20" x 1-1/2")	\$284.81
			P1530	M LINE BAFFLE FILTER	\$123.69
<u>SWITCHES AND CONTROLS</u>			<u>BACK DRAFT DAMPERS</u>		
<u>PART NO.</u>	<u>DESCRIPTION</u>	<u>PRICE</u>	<u>PART NO.</u>	<u>DESCRIPTION</u>	<u>PRICE</u>
P1430	SWITCH FOR SINGLE SPEED WHITE MOTOR	\$6.51	P1031	NYLON POLYMER DAMPER	\$8.13
P1431	SWITCH FOR SINGLE SPEED BLACK MOTOR	\$6.51	P1040	B100/T200 METAL DAMPER	\$8.13
P1432	SWITCH FOR FLUORESCENT LIGHT	\$6.51	P1041	B200 METAL DAMPER	\$8.13
P1433	SWITCH FOR TWO SPEED WHITE MOTOR	\$8.13	P1042	K SERIES DAMPER	\$11.39
P1434	SWITCH FOR HALOGEN LIGHTS	\$8.13	<u>REMOTE BLOWER COMPONENTS</u>		
P1409	MOMENTARY SWITCH (TILT/TLH HOODS)	\$6.51	<u>PART NO.</u>	<u>DESCRIPTION</u>	<u>PRICE</u>
P1418	DIMMER SWITCH (CAN LIGHTS)	\$48.82	P1425	REMOTE BLOWER SPEED CONTROL (HOOD)	\$94.39
P1419	ROTARY SWITCH (HEAT LIGHTS)	\$16.27	P1510	RM1000 BLOWER WHEEL	\$56.96
P1422	KNOB FOR ROTARY SWITCH (SET SCREW)	\$6.51	P1515	RM1000 MOTOR	\$333.63
P1425	REMOTE BLOWER SPEED CONTROL (HOOD)	\$94.39	P1520	RM1500 BLOWER WHEEL	\$56.96
P1460	ROTARY SWITCH - B100/LED LIGHTS	\$8.13	P1525	RM1500 MOTOR	\$382.46
P1465	ROTARY SWITCH - B200/T200/T400(2)	\$8.13	<u>OTHER MISCELLANEOUS ITEMS</u>		
P1470	MAGIC LUNG ROTARY BLOWER KNOB	\$11.39	<u>PART NO.</u>	<u>DESCRIPTION</u>	<u>PRICE</u>
P1475	MAGIC LUNG ROTARY LIGHT KNOB	\$11.39	P1039	FLAP STAY FOR TILT/TLH HOODS	\$45.57
P1350-1	DIMMER PACK FOR INTEGRATED LED BULB	\$15.90	AW101	T-HANDLE, 1/8" ALLEN WRENCH	\$16.27
<u>M LINE COMPONENTS</u>			AW102	STANDARD, 1/8" ALLEN WRENCH	\$1.62
<u>PART NO.</u>	<u>DESCRIPTION</u>	<u>PRICE</u>	P1424	SENSASOURCE THERMOSTAT ASSY	\$19.53
P1440	M LINE BLOWER SWITCH	\$24.41	SS KIT	STAINLESS STEEL SCRATCH REPAIR KIT	\$13.02
P1445	M LINE BLOWER SWITCH KNOB	\$11.39	SS64	STAINLESS STEEL MAGIC (CAN)	\$19.53
P1450	M LINE LIGHT SWITCH	\$24.41	CP101	RED BEAR® COPPER POLISH	\$19.53
P1455	M LINE LIGHT SWITCH KNOB	\$11.39	P1316	3-1/4" x 10" COLLAR FOR K SERIES	\$16.27
P1456	M600 WIRING HARNESS	\$73.23	P1317	BACK PLATE FOR K SERIES	\$8.13
P1457	M1200 WIRING HARNESS	\$73.23			



Vent Hood[®]

TELEPHONE: 519.624.5710

TOLL-FREE: 888.340.4949

FAX: 519.624.5722