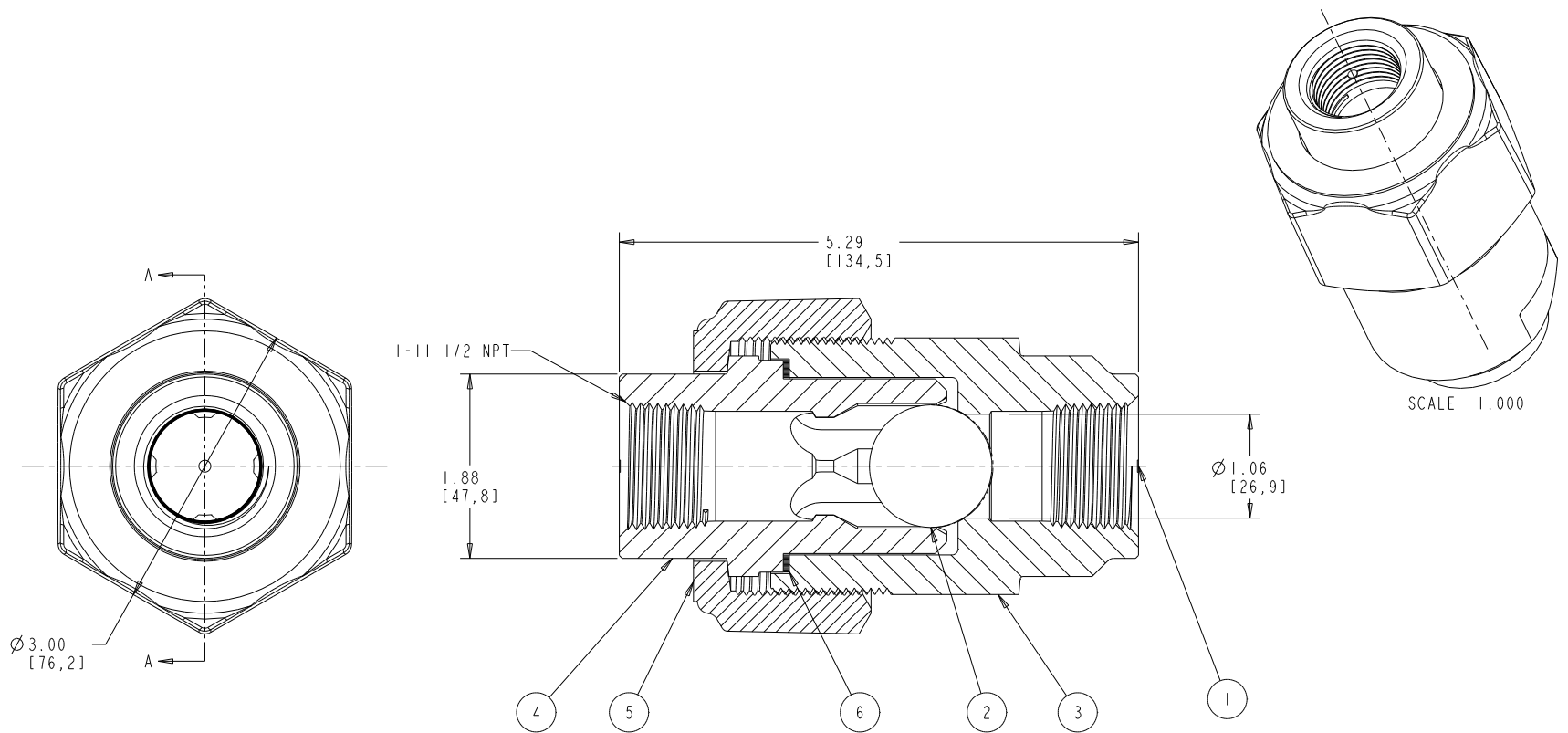


ITEM	QTY	ITEM NO	DRAWING	PART NAME	MATERIAL
1	2	58407		1 THD PROTECTOR	POLYETHYLENE
2	1	33033		1.250 STEEL BALL	A756 TYPE 440C
3	1	20218	32746	BODY	A105
4	1	30090	32747	BONNET	A105
5	1	30572	18052	BONNET NUT	A105
6	1	55077	DES-003	GASKET	ANNEALED C1006 STEEL



SECTION A-A

NOTE: VALVE TO BE TESTED PER MSS-SP-61 PER RMPVFLT005

SERIES No:	54853-06
ITEM No:	203332
RATING: 1975 PSI @ 100 F	SPECS: ASME B16.34
BODY A105 SEAT INTG 18 CR BALL	

14

	X.XX Inches	
	[XX,X] MM	
WEIGHT	6.2 LBS	2.80 Kg
Cv FACTOR		30.5

CNS	58116	DWN BY	J.J.
REV	14	CHK BY	S.B.R.
BY	R.JACKSON	RVD BY	
DATE	7-15-2004	DATE	1-05-55

**FLOWERVE** Vogt Valves  
 SULPHUR SPRINGS, TEXAS, USA  
 1 CHECK VALVE - HORIZONTAL & VERTICAL  
 FORGED STEEL-UNION BONNET-GASKET JOINT-  
 INTEGRAL SEAT - BALL CHECK  
 THREADED ENDS - CLASS 800  
**32745-1**