

MODEL NR3

WILKINS®

a ZURN® company

1/2", 3/4", 1", 1 1/4", 1 1/2", 2"

ITEM NO.	DESCRIPTION	1/2"	3/4"	1"
1	UNION GASKET	62-13	62-13	63-13
2	TAILPIECE (FNPT)	751-19	602-19	63-19
	TAILPIECE (FC)	751C-19	602C-19	63C-19
3	UNION NUT	62-9-010F	62-9-010F	63-9-010F
4	CARTRIDGE	BR2-CART	BR2-CART	NR3-CART
5	SPRING	BR2-33	BR2-33	BR2-33
	SPRING	BR2-33SS	BR2-33SS	BR2-33SS
6	SPRING DISC	BR2-80A	BR3-80A	BR3-80A
	SPRING DISC	BR2-80ASS	BR3-80ASS	BR3-80ASS
7	FRICTION RING	BR2-80C	BR5-80CXL	BR2-80CXL
8	WASHER	606C-12	606C-12	606C-12
9	LOCKNUT	501B-9	501B-9	501B-9
	LOCKNUT SS	501B-9SS	501B-9SS	501B-9SS
10	ADJUSTMENT BOLT	NR3-11A	NR3-11A	NR3-11A
	ADJUSTMENT BOLT SS	BR3-11LRS	BR3-11LRS	NR3-11LRS
	ADJUSTMENT BOLT	602A-11ASS	602A-11ASS	602A-11ASS
11	TAILPIECE KIT NPT	12 X 34-TPK	34-TPK	1-TPK
	TAILPIECE KIT COPPER	12 X 34-TPKC	34-TPKC	1-TPKC
12	SPACER	BR2-12P	BR2-12P	BR2-12P

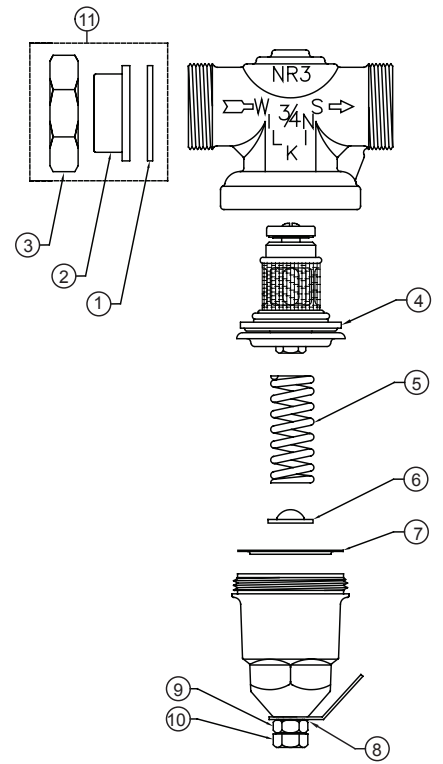
ITEM NO.	DESCRIPTION	1 1/4"	1 1/2"	2"
1	UNION GASKET	604-13	605-13	606-13
2	TAILPIECE NPT (FNPT)	604-19XL-010F	605-19XL-010F	606-19XL-010F
	TAILPIECE COPPER (FC)	604C-19	605C-19	606C-19
3	UNION NUT	604-9-010F	605-9-010F	606-9-010F
4	CARTRIDGE	BR3-CART	BR5-CARTXL	BR5-CARTXL
5	SPRING	NR4-33	BR5-33XL	BR5-33XL
	SPRING SS	BR3-33SS	BR5-33XLSS	BR5-33XLSS
6	SPRING DISC	BR3-80A	BR3-80A	BR3-80A
	SPRING DISC	BR3-80ASS	BR5-80ASS	BR5-80ASS
7	FRICTION RING	BR3-80C	BR5-80CXL	BR5-80CXL
8	WASHER	606C-12	606C-12	606C-12
9	LOCKNUT	501B-9	501B-9	501B-9
	LOCKNUT SS	501B-9SS	501B-9SS	501B-9SS
10	ADJUSTMENT BOLT	NR4-11A	602A-11A	602A-11A
	ADJUSTMENT BOLT SS	NR4-11ASS	602A-11ASS	602A-11ASS
11	TAILPIECE KIT NPT	114-TPKXL	112-TPKXL	2-TPKXL
	TAILPIECE KIT COPPER	114-TPKC	112-TPKC	2-TPKC
12	SPACER	BR2-12P	N/A	N/A

★ REPAIR KIT ITEMS (ALL ★ ITEMS IN KIT)

● Item included in specified Model

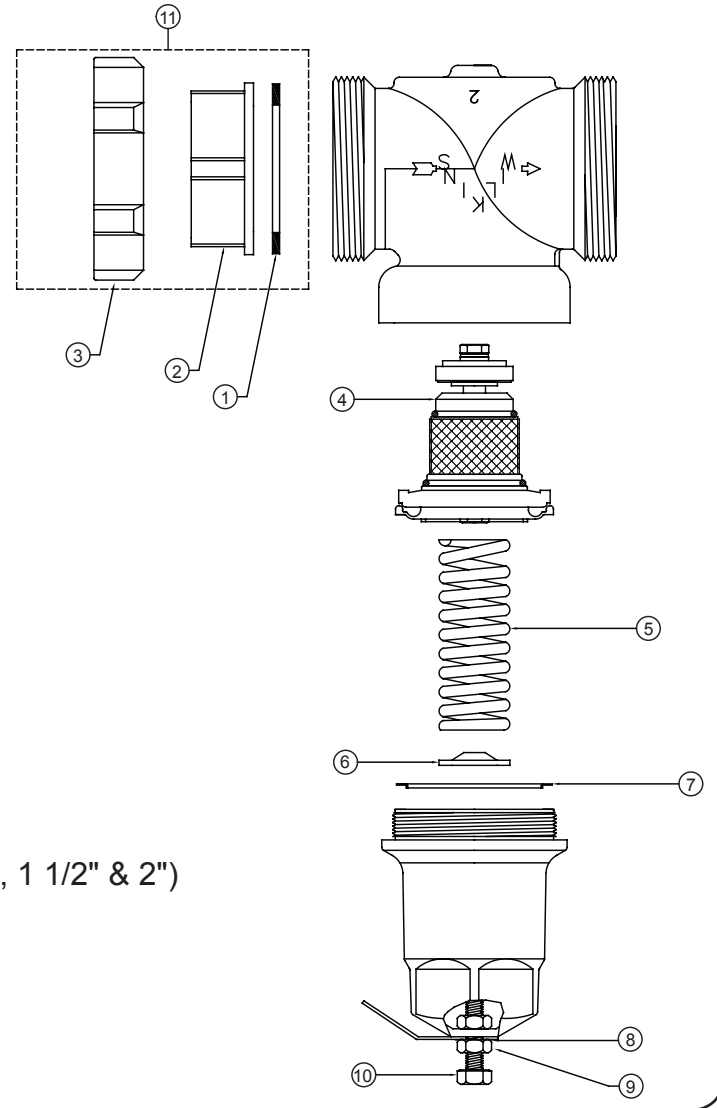
	NR3	NR3C	NR3DU	NR3DUC	NR3DULU	NR3SC	NR3EC	NR3HRSC*
	●	●	●		●	●	●	
	●		●		●	●	●	
		●						
	●	●	●	●	●	●	●	★
	●	●	●	●	●	●	●	★
	●	●	●	●	●	●	●	★
	●	●	●	●		●	●	★
	●	●	●	●	●	●	●	★
	●	●	●	●	●	●	●	
	●	●	●	●	●	●	●	
	●	●	●	●	●	●	●	
	●	●	●	●	●	●	●	
	●	●	●	●	●	●	●	
					●	●		●
								●
								●

NR3 (1/2", 3/4" & 1")



	●	●	●	●	●	●	●	
	●		●		●	●	●	
	●	●	●	●	●	●	●	★
	●	●	●	●	●	●	●	★
	●	●	●	●	●	●	●	★
	●	●	●	●	●	●	●	★
	●	●	●	●	●	●	●	
	●	●	●	●	●	●	●	
	●	●	●	●	●	●	●	
	●	●	●	●	●	●	●	
	●	●	●	●	●	●	●	
	●	●	●	●	●	●	●	
	●	●	●	●	●	●	●	
					●	●		●
								●
								●

NR3 (1 1/4", 1 1/2" & 2")



*NR3HRSC AVAILABLE 1/2" - 1-1/4" ONLY