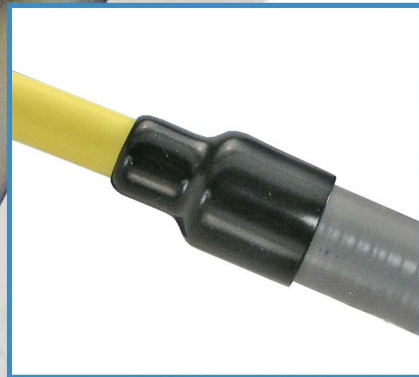


# Meter Risers

A Series of  
Flexible  
and  
Semi-Rigid  
Gas Risers  
for the  
Natural  
Gas  
and LP  
market

Patent  
Pending



# Semi-Rigid and Flexible Riser

SEMI-RIGID RISER

FLEXIBLE RISER

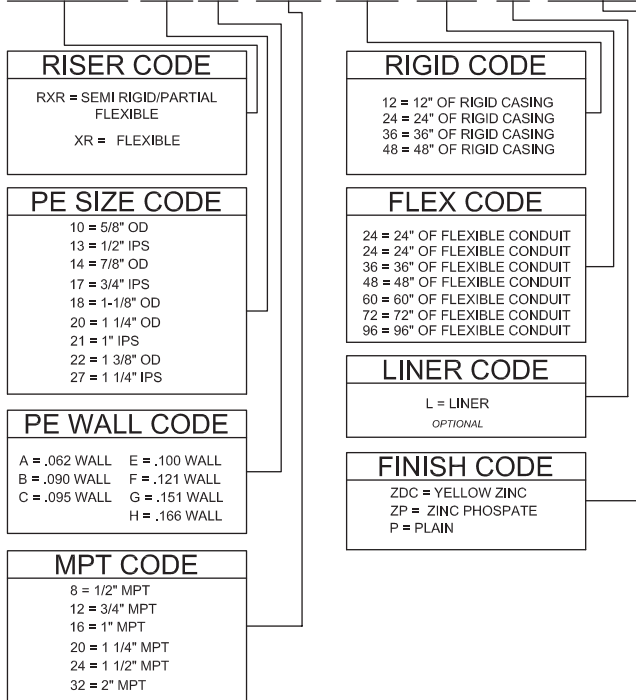


## Safety Note

The information presented herein and other information from Chicago Fittings and its authorized distributors including but not limited to the description of the goods is for the sole purpose of identifying the goods for further investigation by the users having technical expertise and shall not be deemed to create an express warranty that the goods shall conform to any such description and any information provided shall not be deemed to be part of the basis of bargain of sale of such merchandise. Because every application of the goods is unique, Chicago Fittings makes no and DISCLAIMS ANY WARRANTY THAT THE GOODS ARE MERCHANTABLE OR SUITABLE FOR ANY PARTICULAR PURPOSE REQUIRED BY THE BUYER. It is important that you analyze all aspects of your application and review the information concerning the products or system in the current product literature. Due to the variety of operating conditions and applications for these goods or systems, the user, through its own analysis and testing, is solely responsible for selecting the goods and assuring that all performance, safety and warning requirements of the application are met.

# Technical Information

## RXR-10A-12-36-24-L-ZDC



### RISER CODE:

Defines type of construction of product

### PE CODE:

Defines the size of O.D. Gas Service being used

### PF WALL CODE:

Defines the wall thickness of PE gas service being used

### MPT CODE:

Defines the type of male thread being used to attach riser into meter set or regulator

### RIGID CODE:

Optional code only used in conjunction with riser code if "RXR" is used. This code defines the amount of rigid pipe to be used

### FLEX CODE:

Defines the length of flexible hose to be used

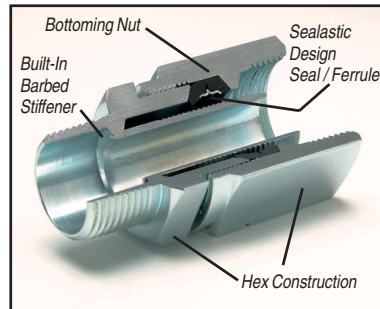
### LINER CODE:

Optional code, only to be used if liner is needed

### FINISH CODE:

Defines the finish of service head adapter and or rigid riser

- Meets D.O.T requirements
- Meets ASTM F1948 requirements
- Meets NFPA 58 requirements
- Quick and fast assembly
- Can be customized to meet customers' specifications
- Integrated swivel service head adapter



Features	Benefits
1. Sealastic Design	Leak resistant design with molded rubber seal
2. Bottoming Nut (Positive Stop)	Self seating design reduces need for torque measurement
3. Seal ferrule and built-in barbed tube stiffener	Dual holding force on outside and inside surfaces of the tube
4. Hex construction nut and body	Easy, quick assembly with pipe or crescent wrench
5. Quick reliable mechanical joint	Reduces assembly labor and eliminates need for costly welding or fusing equipment
6. Simple, precise design	The seal assembly is reversible and remains intact during handling and assembling
7. Plastic tubing may be run from main to gas meter valve	Eliminates need for underground connections and anode on riser assembly

**Note:** Sealastic products are manufactured under U.S. and foreign patents.

**Note:** Fittings may be reused only if new seal and ferrule is inserted.

**Note:** When pipe movement out of the coupling might occur as a result of forces other than that caused by internal line pressure of 150 psi maximum, proper anchorage of the pipe must be provided.

## OUR COMMITMENT

Chicago Fittings Corporation offers several styles of meter risers to bring gas/LP service the to meter set. When properly installed each style of riser provides a reliable method for bringing gas/LP service above ground.

# D.O.T. 192 Certification

## FITTINGS FOR USE ON POLYETHELENE PIPE AND TUBING GAS DISTRIBUTION SYSTEMS

### SECTION 1

Chicago Fittings Corporation certifies that all Sealastic Gas Fittings with integral stiffeners manufactured after July 1, 1980, when installed per our installation instructions will meet all requirements under D.O.T. 192.283(b).

### SECTION 2

Chicago Fittings Corporation certifies that all Sealastic and Tec-Line gas fittings manufactured after July 1, 1980, with loose stiffeners manufactured by or approved by Chicago Fittings Corporation for the specific application and installed per our installation instructions will meet all requirements under D.O.T. 192.283(b). However, in cases where we do not approve the stiffener, it is the responsibility of the operating utility to test as per D.O.T. 192.283(b).

#### A. Material

##### A.1 Bodies

- A.1.1 Tubing AISI C1013
- A.1.2 Bar AISI C12L14, C1213, C1215
- A.1.3 Bar CDA836 85-5-5-5 Bronze
- A.1.4 Forging AISI C1213, C12L14, C1215
- A.1.5 Casting ASTM A197 Malleable Iron

##### A.2 Nuts

- A.2.1 Bar AISI C12L14
- A.2.2 Bar CDA836 85-5-5-5 Bronze
- A.2.3 Casting ASTM A197 Malleable Iron

##### A.3 Retainer Cups

- A.3.1 Cold Rolled Strip

##### A.4 Seals

- A.4.1 Seals shall be a Buna-N compounded material that will resist deterioration from age or exposure to air under normal storage conditions. The rubber in the seal shall meet the following specifications:
  - Color: Jet Black
  - Surface: Nonblooming
  - Durometer: 75+/-5
  - TnsI Strength: 1500psi min.
  - Elongation: 150% min.The seal will resist deterioration from impurities normally found in natural gas such as odorants, liquid hydrocarbons, carbon dioxide and water.

##### A.5 Ferrule

- A.5.1 Cold Rolled Strip C1050

##### A.6 Insulators, Plastic

- A.6.1 Zytel 105

##### A.7.1 Testing

- A.7.1 All castings, fabrications or components produced from welded tubing that are exposed to the line content are air-tested to insure the component is porous-free.

#### B. Torque Recommendation

- B.1.1 Bottoming Sealastic and Tec-Line Nuts "M" Designation. No measurement of torque or turns required - tighten until nut is metal to metal with shoulder of fitting.
- B.1.2 Sealastic and Tec-Line on steel pipe:

IPS Size	Wrench Length
1/2"	14"
3/4"	14"
1"	16"
1-1/4"	18"
1-1/2"	24"
2"	24"

In each case, a pull of about 75 lbs should be applied to the end of the wrench. When pipe movement out of the coupling or fitting might occur, proper anchorage of the pipe must be provided.

D.O.T. 192 Certification



**CHICAGO FITTINGS CORPORATION**

756 Landmark Drive Belvidere, IL 61008 Ph. 815.547.5471 Fax. 815.547.5492

Printed in USA  
Form #: CF1200