



**Brass Ball Valve For Potable Water
Two Piece
Full Port
600 psig WOG (1/2" - 2") 400 psig WOG (2 1/2" - 3")
Solder Ends**

UPBA485B 1/2"-3"

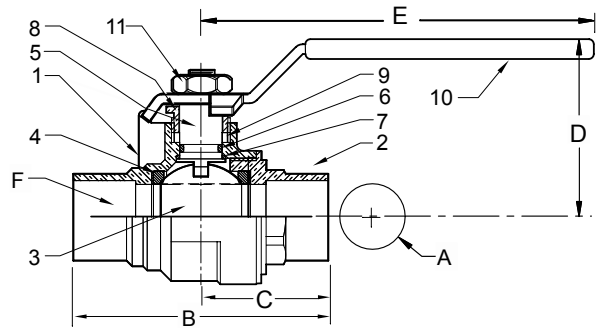


**Blow-Out Proof Stem
Dimensions and Workmanship Conform to MSS SP-110**

Also Available UPBA485B-LL

MATERIALS LIST

ITEM	PART	MATERIALS	ASTM SPEC.
1	Body	Brass, Forged	B283 C27450
2	Tailpiece	Brass, Forged	B283 C27450
		Brass	B283 C27450
3	Ball	Brass w/Chrome Plating	B283 C27450
4	Ball Seat	PTFE	Commercial
5	Stem	Brass	B283 C27450
6	O-Ring	Buna-N	D2006
7	Thrust Washer	PTFE	Commercial
8	Gland Nut	Brass	B16 C3600
9	Packing	PTFE	Commercial
10	Handle	Zinc Plated Steel	Commercial
11	Handle Nut	Zinc Plated Steel	Commercial



DIMENSIONS

	UNITS	1/2"	3/4"	1"	1-1/4"	1-1/2"	2"	2-1/2"	3"
	A	INCHES	0.50	0.76	1.00	1.26	1.50	2.00	2.48
	mm	13	19	25	32	38	51	63	75
B	INCHES	2.28	3.10	3.56	4.13	4.64	5.75	7.25	8.25
	mm	58	79	90	105	118	146	184	210
C	INCHES	1.14	1.55	1.78	2.06	2.32	2.87	3.62	4.12
	mm	29	39	45	52	59	73	92	105
D	INCHES	1.46	1.93	2.10	2.33	2.52	2.96	3.94	4.37
	mm	37	49	53	59	64	75	100	111
E	INCHES	3.27	4.45	4.45	5.24	5.24	7.01	7.87	7.87
	mm	83	113	113	133	133	178	200	200
F	TUBE SIZE	0.63	0.88	1.13	1.38	1.63	2.13	2.63	3.13
	Cv	18	40	72	112	161	287	307	323

Note: Lead free refers to the wetted surface of the pipe, fittings and fixtures in potable water systems that have a weighted average lead content ≤0.25%. Source: California Health and Safety Code (116875).

The information presented on this sheet is correct at time of publication. Milwaukee Valve reserves the right to change design and/or materials without notice. For our Installation, Operation and Maintenance Manual and the most current product information go to www.milwaukeevalve.com.
⚠ State of California Prop 65 **WARNING:** Cancer and Reproductive Harm. For more information visit www.p65warnings.ca.gov.

