



SYMMONS® Oxford™

Roman Tub Faucet SRT-4272 Installation and Service Instructions



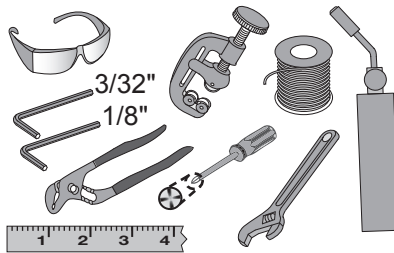
Model Numbers

SRT-4272 Faucet with Handspray

Finish Options

- STN Satin Nickel
- ORB Oil Rubbed Bronze
- Chrome (standard finish)

Tools & Materials

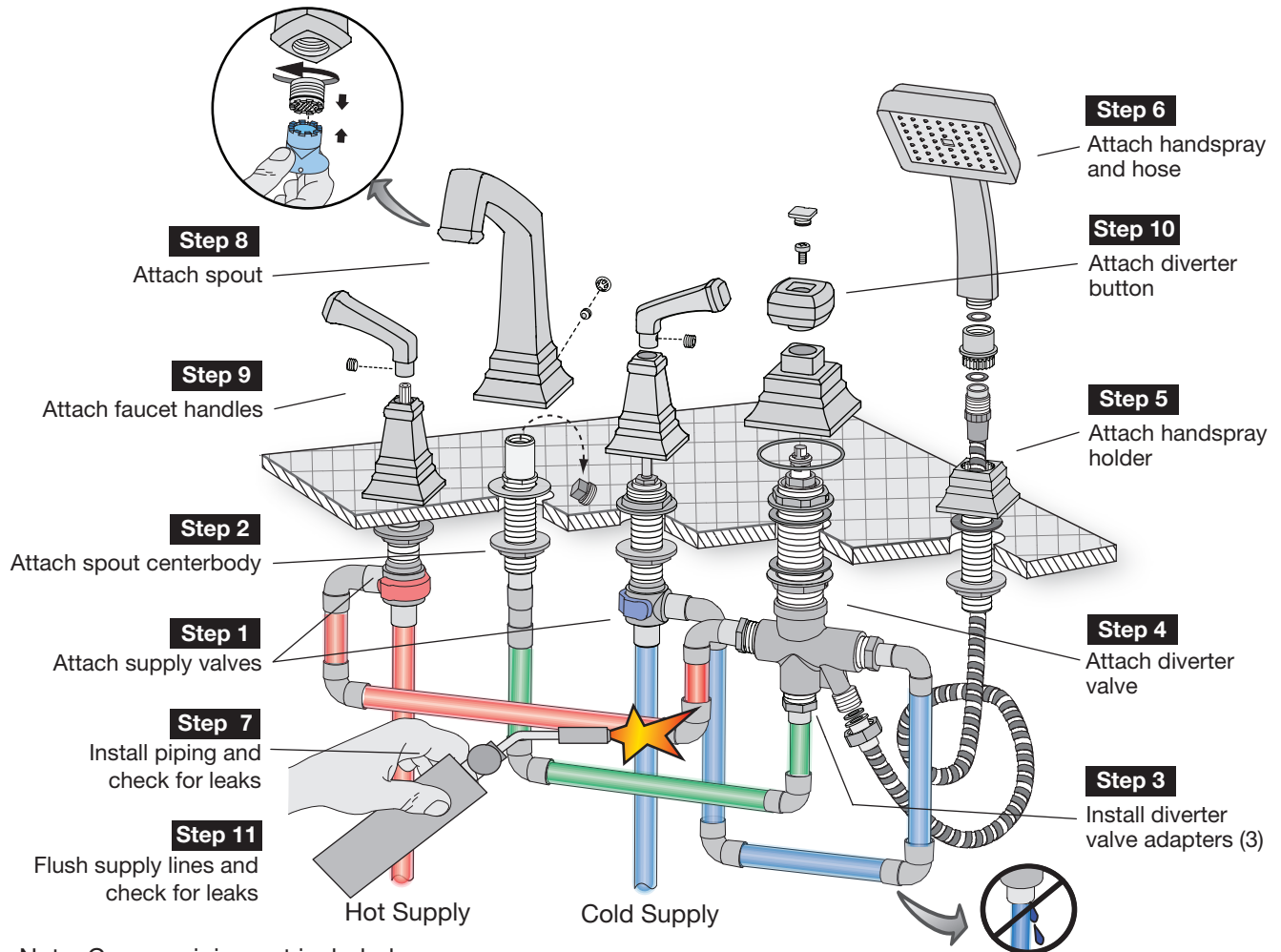


☎ Need Help?

Contact Symmons customer service at (800) 796-6667, (781) 848-2250
Email: customerservice@symmons.com
Monday - Friday 8:00 am - 7:30 pm EST

💻 Please check Symmons website for technical help, the latest product information and warranty policy.
www.symmons.com/service

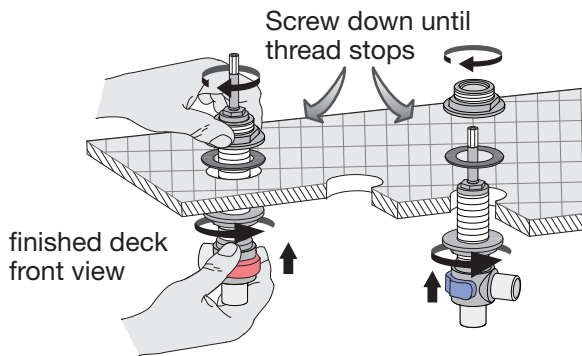
Quick Install Guide *Oxford Roman Tub Faucet, SRT-4272*



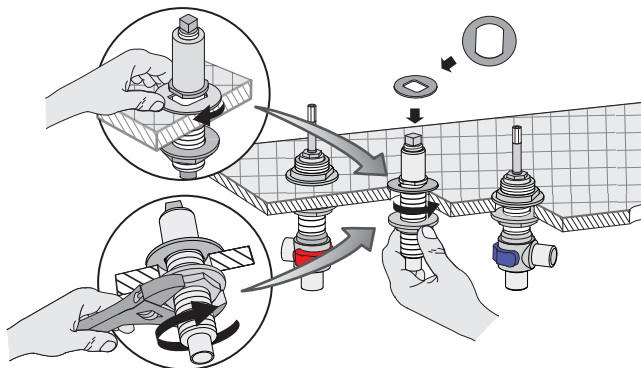
Note: Copper piping not included

Installation Instructions

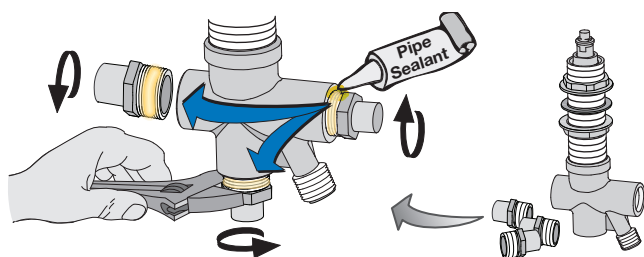
Step 1 Attach supply valves to deck



Step 2 Attach spout centerbody

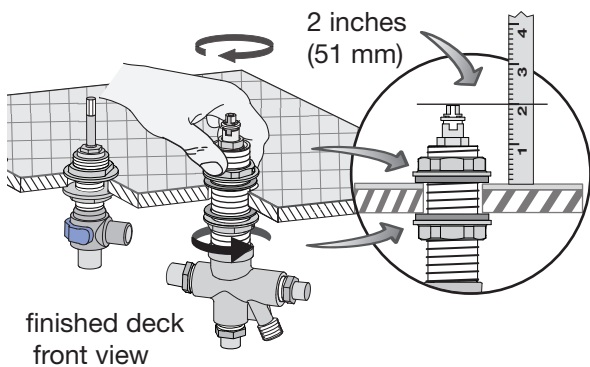


Step 3 Install diverter valve adapters (3)

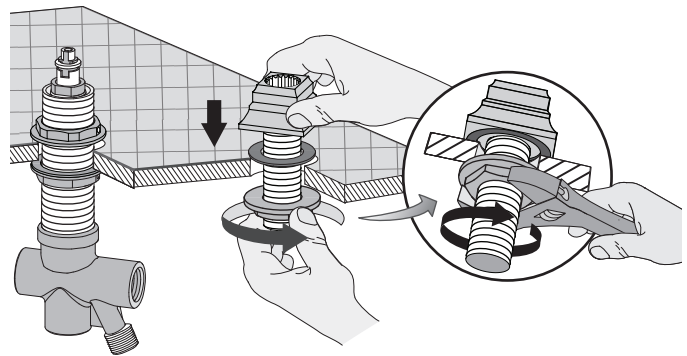


! Over heating adapters while soldering can damage thread seal. Ref. Step 7

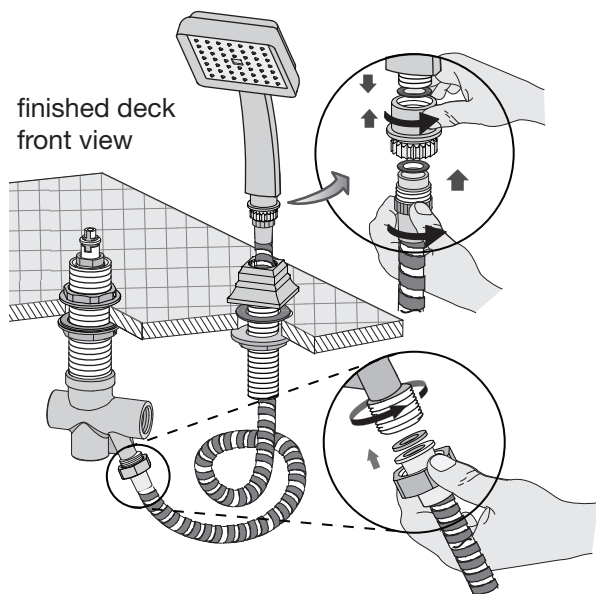
Step 4 Attach diverter valve



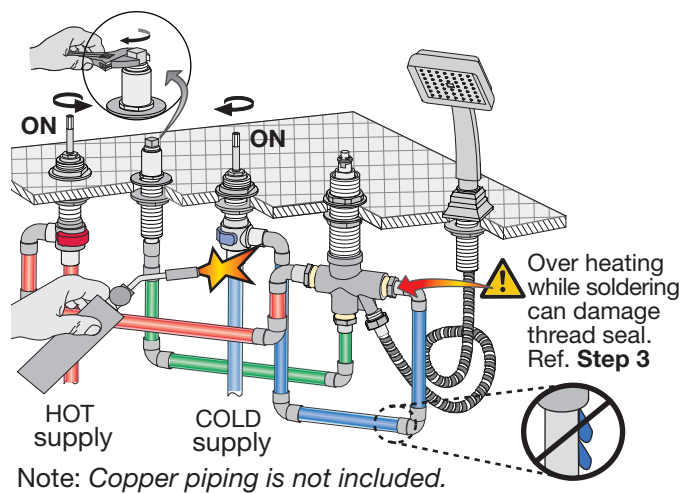
Step 5 Attach handspray holder



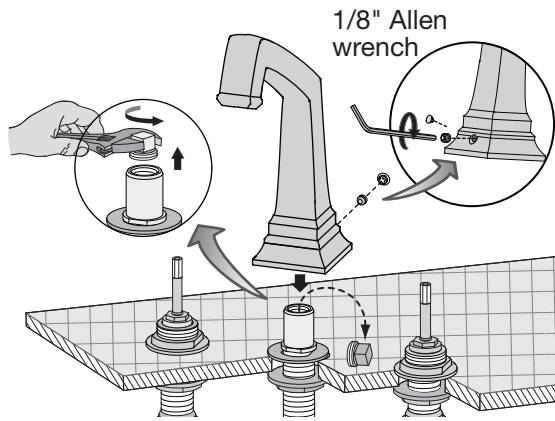
Step 6 Attach handspray and hose



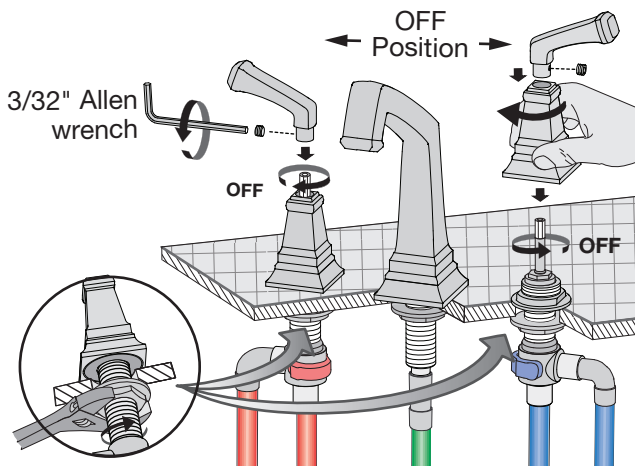
Step 7 Install piping and check for leaks



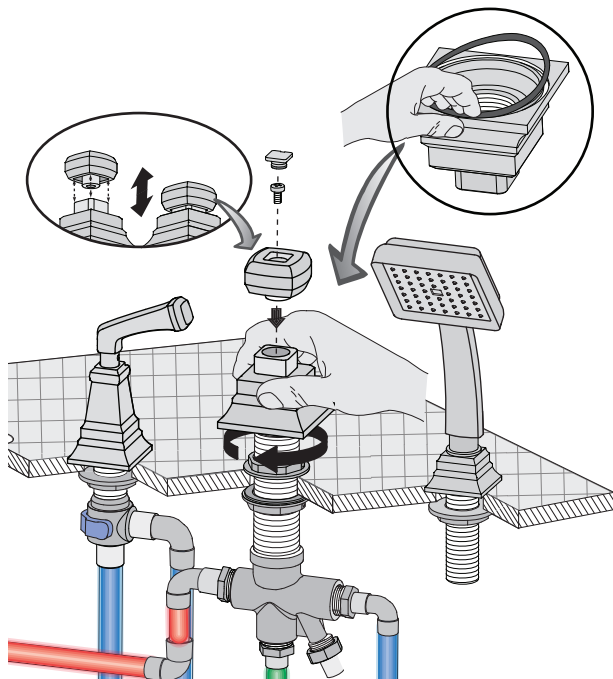
Step 8 Attach spout



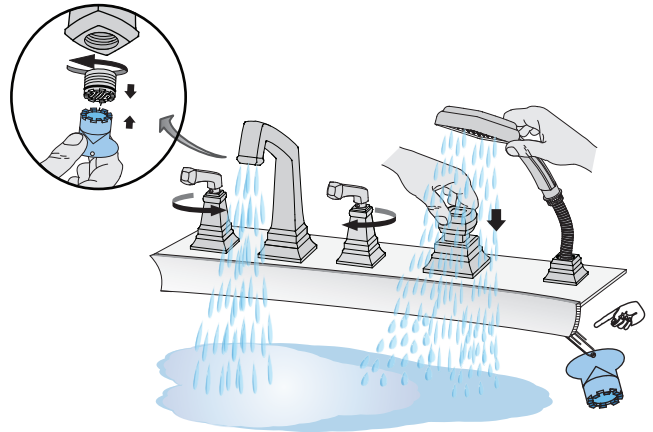
Step 9 Attach faucet handles



Step 10 Attach diverter handle



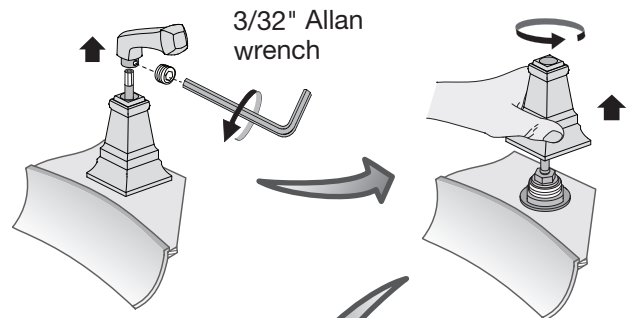
Step 11 Flush supply lines; check for leaks



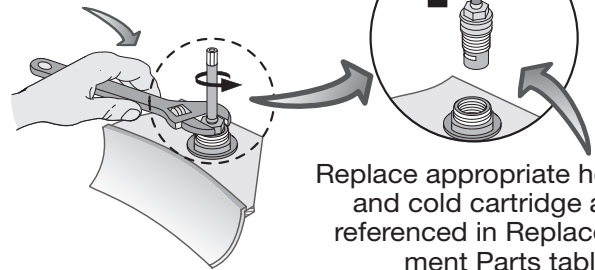
Care of faucet finish

Clean finish area by using mild soap and water or non-abrasive cleaner and then rinse immediately. A non-abrasive wax may be used to preserve finish area.

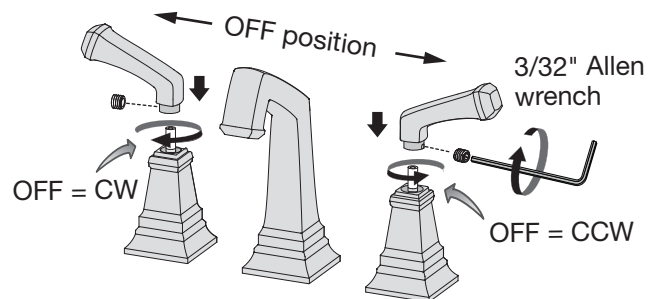
Valve cartridge replacement



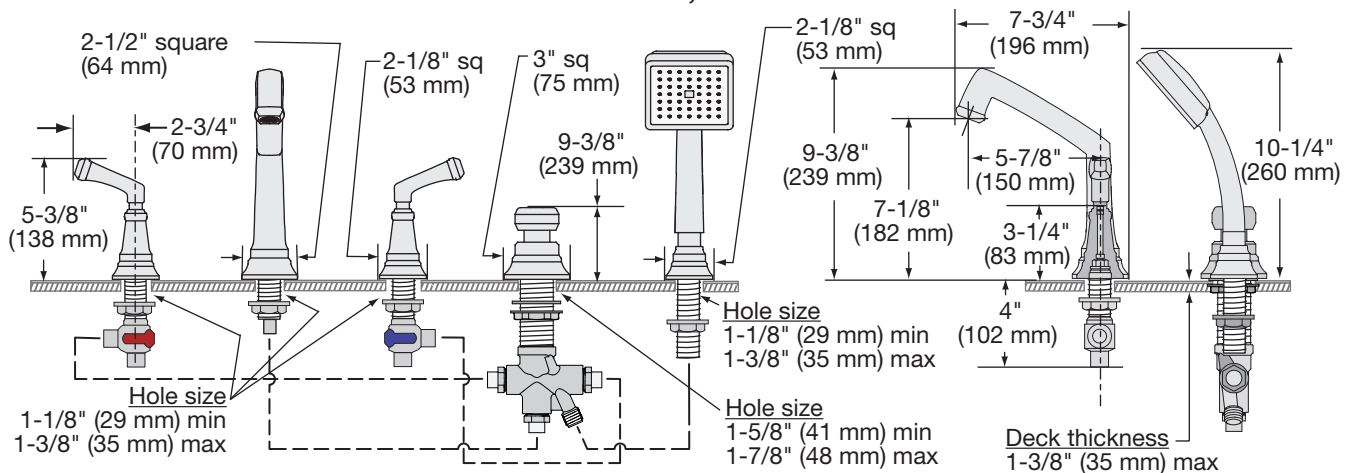
Use a 17mm deep socket or wrench.



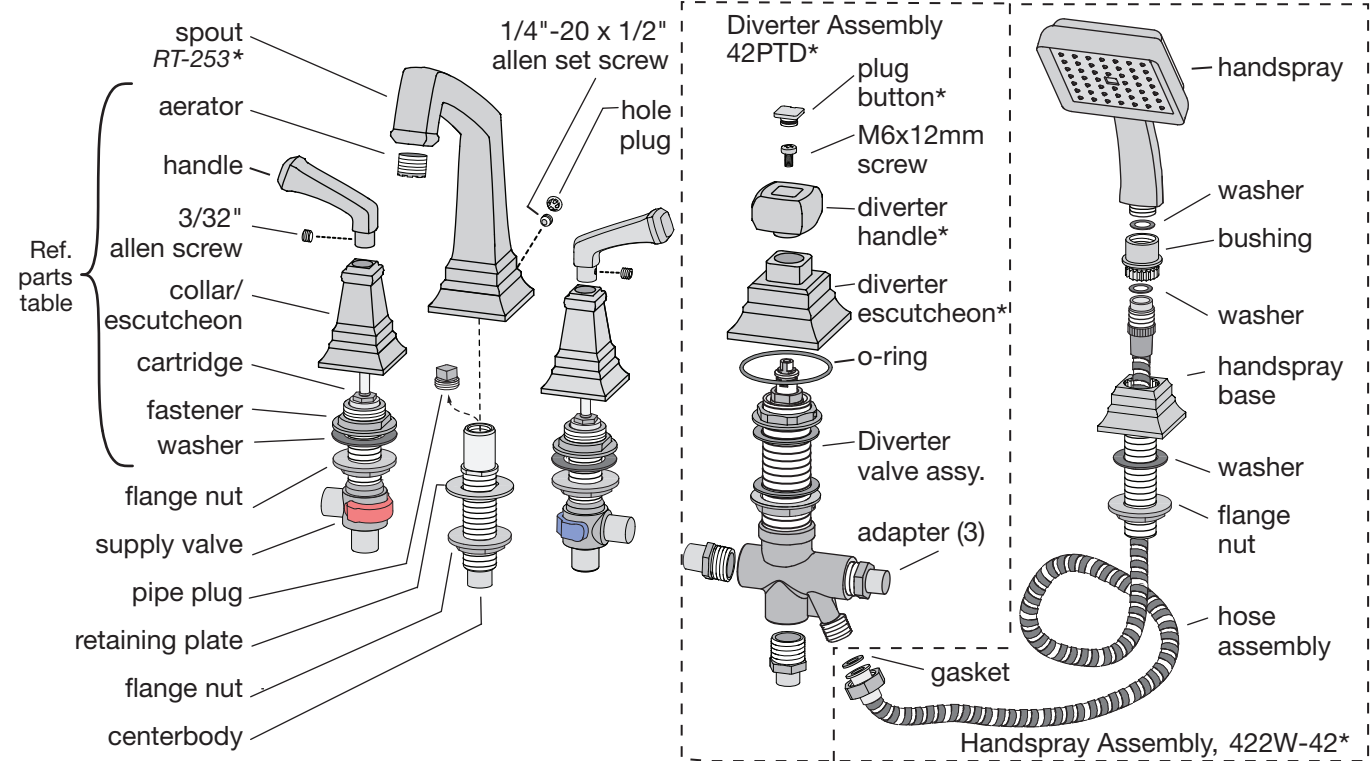
Attaching handles



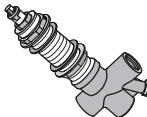

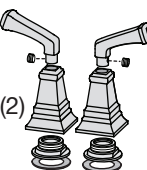
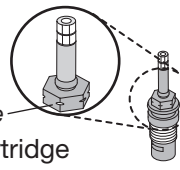
Dimensions Oxford Roman Tub Faucet, SRT-4272



Parts Assembly Oxford Roman Tub Faucet, SRT-4272



Replacement Parts

Part Number	Item	Part Number	Item
RT-155	diverter valve assy. 	RT-262	aerator removal key 
RT-422-KIT*	handle kit handle (2) screw (2) escutcheon (2) fastener (2) washer (2) 	KN-114E (hot) OFF = CW KN-113E (cold) OFF = CCW	KN-113E identified by groove valve cartridge 

Ordering replacement parts:

Call Symmons customer service (800) 796-6667 • (781) 848-2250 M-F 8:00 am - 7:30 pm EST

Check our website for a list of Symmons distributors. www.symmons.com.

* Note: For decorative finish faucets append the appropriate suffix code letters to items marked with an asterisk (*)