

Location:

SYMMONS® Temptrol®

Shower System C-96-1-X

Specification Submittal



Feature Highlights

- Symmons commercial series shower system
- Symmons Temptrol® pressure balancing mixing valve with adjustable stop screw to limit handle turn.
- Showerhead #4-137 single mode, cast brass with adjustable flood / mist spray
- Showerhead mounting arm and flange
- Flow rate 2.5 gpm (9.5 L/min)
- Polished chrome finish (standard)

Model Numbers

- C-96-1-X
Shower System with Symmons Temptrol® mixing valve p/n 46-2X-BODY
- C-96-1-TRM
Trim only, valve must be ordered separately
- 46-2-BODY
Symmons Temptrol® mixing valve without trim
- 46-2X-BODY
Symmons Temptrol® mixing valve without trim. Valve includes integral service stops to allow water shut-off for service

Standards / Certifications

ASME A112.18.1/CSA B125.1





Warranty

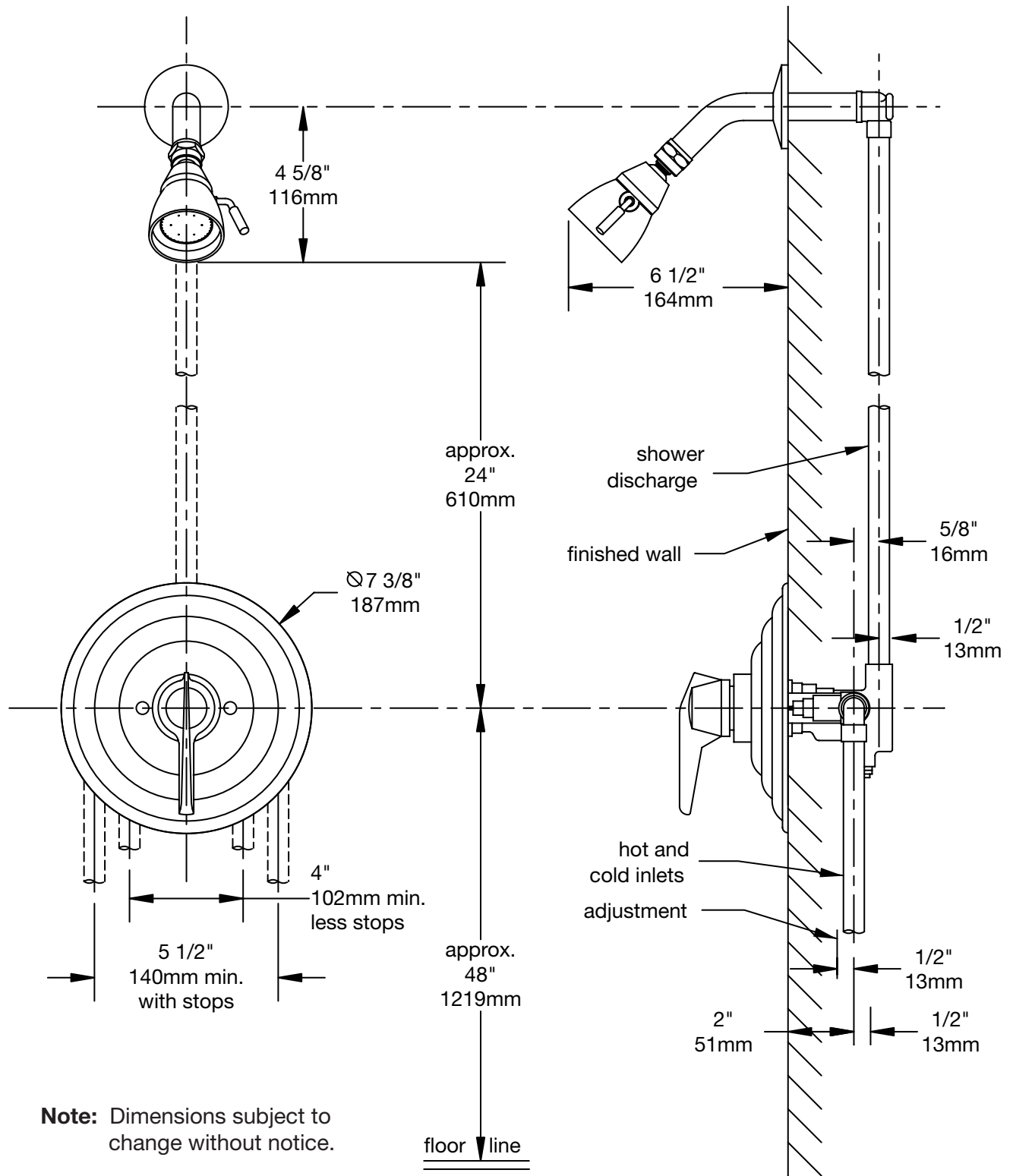
- Limited Lifetime - to the original end purchaser in consumer installations.
- 5 years - for commercial installations

Options / Modifications

Append appropriate -suffix to model number.

- 1.5  1.5 gpm (5.7 L/min) flow restrictor
- 2.0 2.0 gpm (7.6 L/min) flow restrictor
- 135 1 mode showerhead, 1-3/4" diameter
- IPS 1/2" female IPS connections
- LAM  Metal finish insert lever handle in place of white insert
- L/HD Less showerhead
- REV Reverse coring, hot on right, cold on left, for back to back installations
- VP Vandal resistant escutcheon screws in place of standard screws
- Delete Suffix X Remove integral service stops - allows water shutoff at valve for service
- X-CHKS Integral check stops - for use in installations where a positive shut-off device is used downstream of mixing valve

Dimensions *Temptrol Shower System, C-96-1-X*



Symmons Industries, Inc. ■ 31 Brooks Drive ■ Braintree, MA 02184
 Phone: (800) 796-6667 ■ Fax: (800) 961-9621
 Website: symmons.com ■ Email: gethelp@symmons.com

Copyright © 2017 Symmons Industries, Inc. ■ ZV-1756 REV B ■ 121417

SYMMONS[®]
 the smart choice™