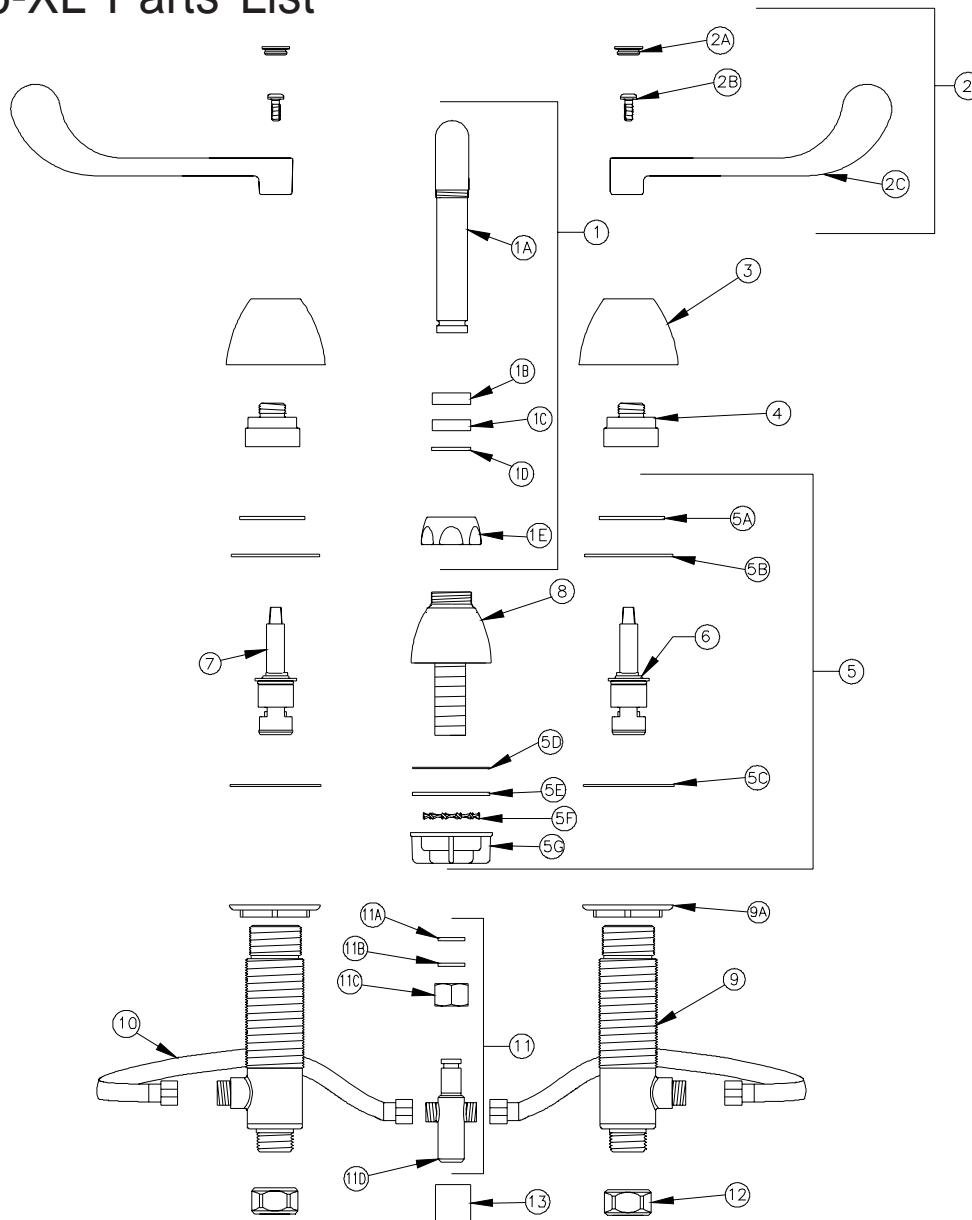


# WIDESPREAD

## Z831H6-XL Parts List



Item	Part Number	Description	Qty.	Item	Part Number	Description	Qty.
1	G67892	12" Tubular Spout Ass'y. XL	1	5D	60148002	Gasket	2
1A	92955001	'H' Swing Spout	1	5E	65340001	Washer	1
1B	59441001	Bearing Washer	1	5F	61613019	Toothed Lockwasher	1
1C	59459001	Spout Seal	1	5G	59530003	Flanged Mounting Nut	1
1D	92937001	Retaining Ring	1	6	59517007	Long Cold Cartridge XL	1
1E	59435001	Spout Nut	1	7	59517008	Long Hot Cartridge XL	1
2	G60508	6" Wrist Blade Handles	1	8	G67871	Base XL	1
2A	G60500	Hot/Cold Color-Coded Indexes	1	9	693039001	Valve Body Ass'y XL	2
	59454001	Hot Index	1	9A	60445001	Nut	2
	59454002	Cold Index	1	10	93317332	S.S. Flexible Hose	2
2B	62464001	10-32 Screw	2	11	G67898	Tee Ass'y. XL	1
2C	59453002	6" Wrist Blade Handle	2	11A	60455001	Gasket	1
3	60078001	Escutcheon	2	11B	63982001	Plastic Retaining Ring	1
4	60077001	Cartridge Cap	2	11C	60145002	Shank Nut	1
5	G61859	Widespread Mounting Hardware	1	11D	61283005	Tee XL	1
5A	60383002	Retaining Ring	2	12	59532001	1/2" NPSM Riser Nut	2
5B	60382001	S. S. Washer	2	13	G63504	3/4"-27 Female Aerator- 2.2 GPM	1
5C	60444001	Brass Washer	2				

ZURN INDUSTRIES, LLC ♦ COMMERCIAL BRASS OPERATION ♦ 2640 SOUTH WORK STREET ♦ FALCONER NY 14733

Phone: 1-800-997-3876 ♦ Fax: 1-919-775-3541 ♦ www.zurn.com

In Canada: ZURN INDUSTRIES LIMITED ♦ 3544 Nashua Drive ♦ Mississauga, Ontario L4V1L2 ♦ Phone: 905/405-8272 Fax: 905/405-1292