

freedom FLANGE®

The Taco freedom FLANGE® fits 00®, 110 Series, 2400 Series and all small 00e® ECM high-efficiency circulators. Be free from scraped knuckles and jury-rigged tools of yesteryear! Their Easy-On / Easy-Off and sweat designs make quick work of pump installation and maintenance. Available in Cast Iron, Stainless Steel or Bronze.

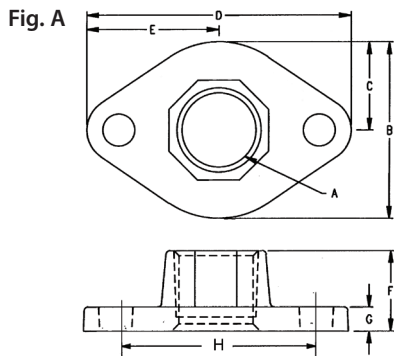
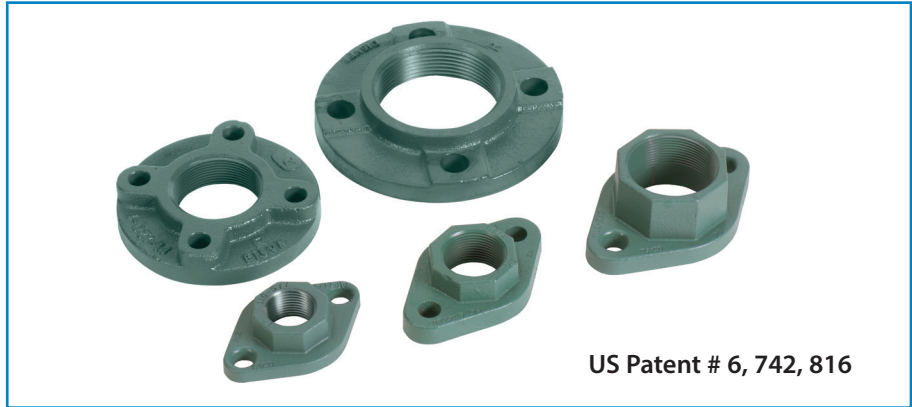


Submittal Data Information *freedom* FLANGE®

Cast Iron *freedom* FLANGE®

At last, freedom from scraped knuckles and jury-rigged tools. Taco's flanges give you lots of ways to make quick work of your installation:

- Fits the 00e® Series ECM high-efficiency circulators including the 007e, 0015e3, 0018e, 0026e, 0034e, and 0034ePlus
- Easy-On, Easy-Off with a common adjustable wrench
- Nuts & Bolts included
- Cast Iron flanges available in sizes: 3/4", 1", 1-1/4", 1-1/2", 2", 2-1/2" and 3"



Cast Iron *freedom* FLANGE®

Fits all 00® models (except 0012), 110-113, 2400-10/20/45/50, VT2218, VR1816, 007e, VR3452, 0015e3, 0018e, 0026e, 0034e, 0034ePlus

| Figure | Product# | Size A | B | C | D | E | F | G | H |
|--------|----------|------------|--------|--------|--------|---------|----|------|--------|
| A | 110-251F | 3/4" NPT | 2-3/4" | 1-3/8" | 4-1/8" | 2-1/16" | 1" | 3/8" | 3-1/8" |
| A | 110-252F | 1" NPT | 2-3/4" | 1-3/8" | 4-1/8" | 2-1/16" | 1" | 3/8" | 3-1/8" |
| A | 110-253F | 1-1/4" NPT | 2-3/4" | 1-3/8" | 4-1/8" | 2-1/16" | 1" | 3/8" | 3-1/8" |
| A | 110-254F | 1-1/2" NPT | 2-3/4" | 1-3/8" | 4-1/8" | 2-1/16" | 1" | 3/8" | 3-1/8" |

Fits 0012-F4 and 2400-30/40

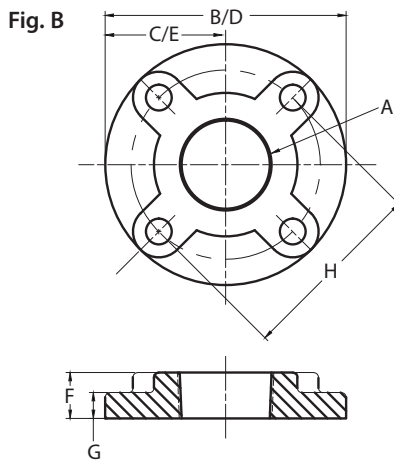
| Figure | Product# | Size A | B | C | D | E | F | G | H |
|--------|-----------|------------|----------|----------|--------|--------|---------|-------|---------|
| A | 194-1540F | 1-1/4" NPT | 2-15/16" | 1-15/32" | 4-3/4" | 2-3/8" | 1-3/16" | 9/16" | 3-7/16" |
| A | 194-1542F | 1-1/2" NPT | 2-15/16" | 1-15/32" | 4-3/4" | 2-3/8" | 1-3/16" | 9/16" | 3-7/16" |

1-1/2" Flange set included in each 0012-F4 box.

Fits 0012-F4-1 (2"), 2400-50/2

| Figure | Product# | Size A | B | C | D | E | F | G | H |
|--------|-----------|--------|--------|----------|---------|----------|--------|-------|--------|
| A | 194-2124F | 2" NPT | 3-5/8" | 1-13/16" | 5-9/16" | 2-25/32" | 1-3/4" | 9/16" | 4-1/8" |

2" Flange set included in each 0012-F4-1 box.



Fits 2400-60, 2400-65 and 2400-70

| Figure | Product# | Size A | B | C | D | E | F | G | H |
|--------|----------|--------|--------|--------|--------|--------|----|-------|--------|
| B | 185-08C | 2" NPT | 5-1/4" | 2-5/8" | 5-1/4" | 2-5/8" | 1" | 9/16" | 4-1/8" |

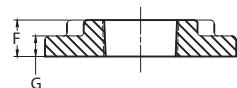
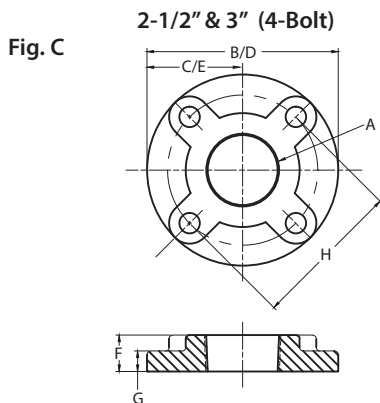
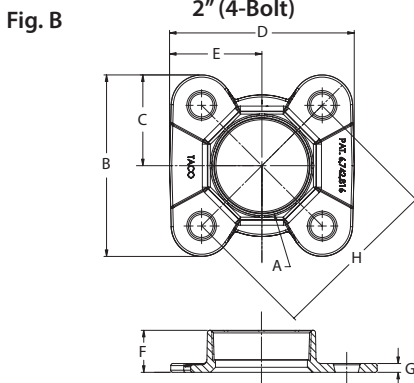
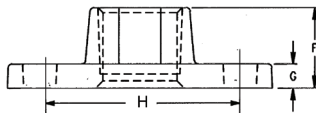
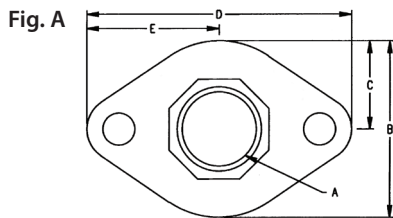
Fits 2400-70/3

| Figure | Product# | Size A | B | C | D | E | F | G | H |
|--------|----------|------------|--------|---------|--------|---------|--------|--------|--------|
| B | 185-112C | 2-1/2" NPT | 6-5/8" | 3-5/16" | 6-5/8" | 3-5/16" | 1-1/8" | 11/16" | 5-1/4" |
| B | 185-113C | 3" NPT | 6-5/8" | 3-5/16" | 6-5/8" | 3-5/16" | 1-1/8" | 11/16" | 5-1/4" |

All dimensions are nominal.

StainlessSteel freedom FLANGE®

- Fits all Stainless Steel 00® circulators, 110 Series, 2400 Series, 007e, 0015e3, 0018e, 0026e, 0034e, and 0034ePlus
- Easy-On, Easy-Off with a common adjustable wrench
- NSF-372 Certified for low lead
- Nuts & Bolts included
- Stainless Steel flanges available in sizes:
3/4", 1", 1-1/4", 1-1/2", 2", 2-1/2" and 3" NPT



Stainless Steel freedom FLANGE®

Fits all 00® models (except 0012), 110-113 and 2400-10/20/45/50, 007e, 0015e3, 0018e, 0026e, 0034e, and 0034ePlus

| Figure | Product# | Size A | B | C | D | E | F | G | H |
|--------|-----------|------------|--------|--------|--------|---------|----|-------|--------|
| A | 110-251SF | 3/4" NPT | 2-3/4" | 1-3/8" | 4-1/8" | 2-1/16" | 1" | 7/32" | 3-1/8" |
| A | 110-252SF | 1" NPT | 2-3/4" | 1-3/8" | 4-1/8" | 2-1/16" | 1" | 7/32" | 3-1/8" |
| A | 110-253SF | 1-1/4" NPT | 2-3/4" | 1-3/8" | 4-1/8" | 2-1/16" | 1" | 7/32" | 3-1/8" |
| A | 110-254SF | 1-1/2" NPT | 2-3/4" | 1-3/8" | 4-1/8" | 2-1/16" | 1" | 7/32" | 3-1/8" |

Fits 0012-SF4, 2400-30S/40S

| Figure | Product# | Size A | B | C | D | E | F | G | H |
|--------|------------|------------|----------|----------|--------|--------|----|-------|---------|
| A | 194-1540SF | 1-1/4" NPT | 2-15/16" | 1-15/32" | 4-3/4" | 2-3/8" | 1" | 7/32" | 3-7/16" |
| A | 194-1542SF | 1-1/2" NPT | 2-15/16" | 1-15/32" | 4-3/4" | 2-3/8" | 1" | 7/32" | 3-7/16" |

1-1/2" Flange set included in each 0012-SF4 box.

Fits 0012-SF4-1 (2"), 2400-50S/2

| Figure | Product# | Size A | B | C | D | E | F | G | H |
|--------|------------|--------|--------|----------|---------|----------|----|-------|--------|
| A | 194-2124SF | 2" NPT | 3-5/8" | 1-13/16" | 5-9/16" | 2-25/32" | 1" | 7/32" | 4-1/8" |

2" Flange set included in each 0012-SF4-1 box.

Fits 2400-60S, 2400-65S and 2400-70S

| Figure | Product# | Size A | B | C | D | E | F | G | H |
|--------|----------|--------|---------|---------|--------|---------|----|------|--------|
| B | 185-086S | 2" NPT | 4-5/16" | 2-3/16" | 4-3/8" | 2-3/16" | 1" | 1/4" | 4-1/8" |

Fits 2400-70S/3

| Figure | Product# | Size A | B | C | D | E | F | G | H |
|--------|----------|------------|--------|---------|--------|---------|--------|--------|--------|
| C | 185-112S | 2-1/2" NPT | 6-5/8" | 3-5/16" | 6-5/8" | 3-5/16" | 1-1/8" | 11/16" | 5-1/4" |
| C | 185-113S | 3" NPT | 6-5/8" | 3-5/16" | 6-5/8" | 3-5/16" | 1-1/8" | 11/16" | 5-1/4" |

All dimensions are nominal.

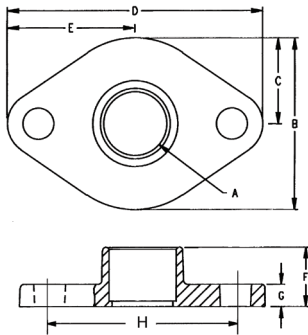
Submittal Data Information *freedom* FLANGE®

Bronze Sweat *freedom* FLANGE®

- Fits all 00® (except 0012), 110 Series, 2400 — 10/20/45/50, 007e, VR1816, VT2218 & VR3452, 0015e3, 0018e, 0026e, 0034e, and 0034ePlus
- Solid lead-free bronze
- Nuts & Bolts included
- Bronze Sweat flanges available in sizes: 1/2", 3/4", 1", 1-1/4" and 1-1/2"



Fig. A



| Figure | Product# | Size A | B | C | D | E | F | G | H |
|--------|-------------|------------|--------|--------|--------|---------|--------|------|--------|
| A | 110-522BSFL | 1/2" Swt | 2-3/4" | 1-3/8" | 4-1/8" | 2-1/16" | 7/8" | 3/8" | 3-1/8" |
| A | 110-523BSFL | 3/4" Swt | 2-3/4" | 1-3/8" | 4-1/8" | 2-1/16" | 7/8" | 3/8" | 3-1/8" |
| A | 110-524BSFL | 1" Swt | 2-3/4" | 1-3/8" | 4-1/8" | 2-1/16" | 1" | 3/8" | 3-1/8" |
| A | 110-525BSFL | 1-1/4" Swt | 2-3/4" | 1-3/8" | 4-1/8" | 2-1/16" | 1-1/8" | 3/8" | 3-1/8" |
| A | 110-526BSFL | 1-1/2" Swt | 2-3/4" | 1-3/8" | 4-1/8" | 2-1/16" | 1-1/4" | 3/8" | 3-1/8" |

All dimensions are nominal.



Taco Inc., 1160 Cranston Street, Cranston, RI 02920 / (401) 942-8000
Taco (Canada) Ltd., 8450 Lawson Road, Unit #3, Milton, Ontario L9T 0J8 / (905) 564-9422