

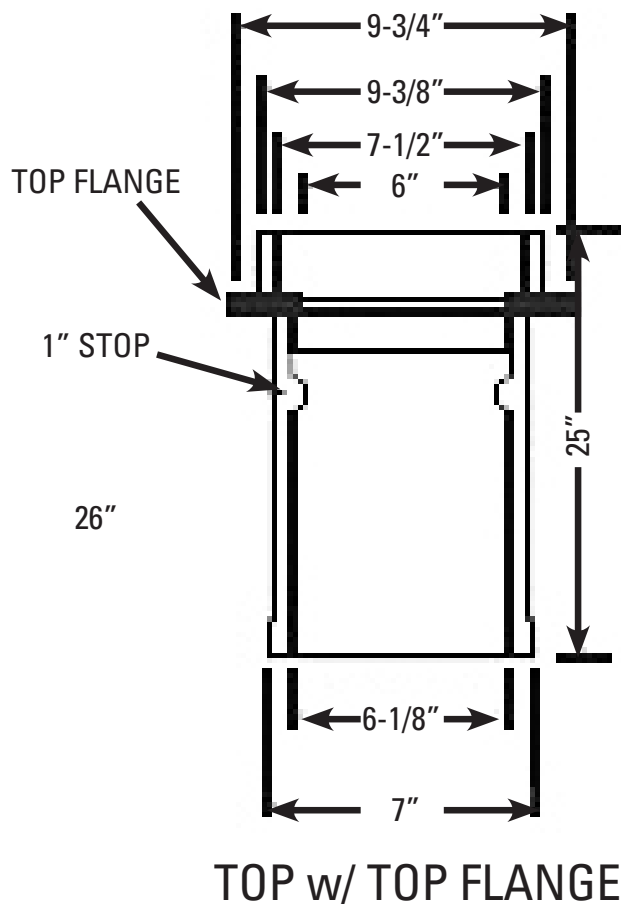
# CAST IRON SCREW VALVE BOX EXTENSION

## Product Features

All valve boxes and related parts shall be coated on all surfaces with an asphaltic varnish of 2mm in thickness.

## Model Numbers

**IVBATS26TF**



## Codes & Approvals

Valve boxes conform to ASTM A-48, Grade 30B; Asphaltic varnish conforms to AWWA C-104.