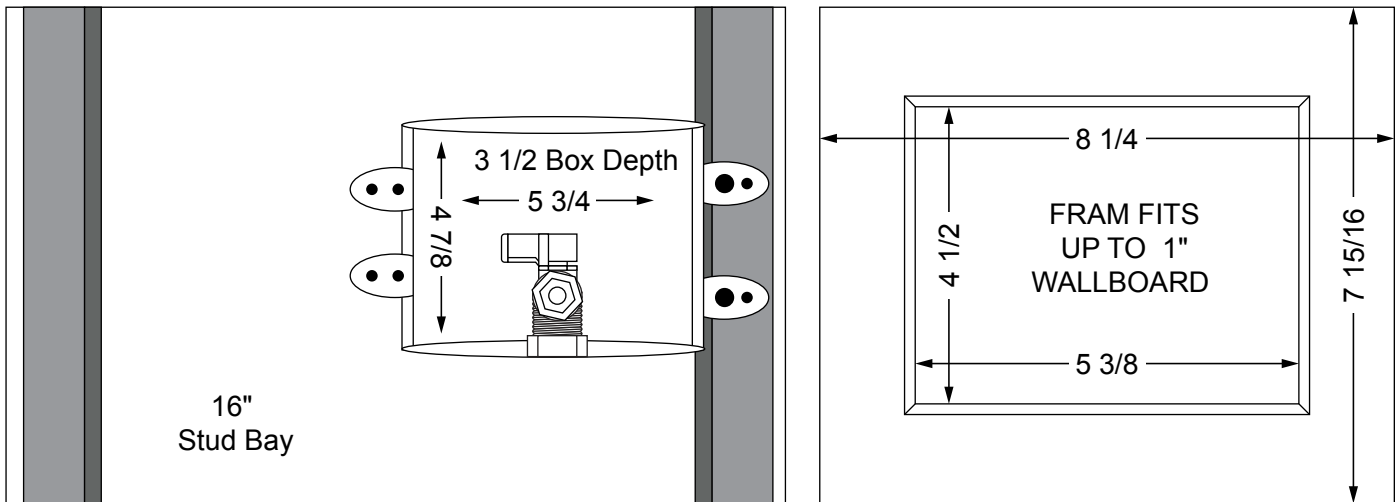




Plastic Square Ice Maker Outlet Box with Lead Free Quarter Turn Hammer Valve



Specifications:

Furnish and install plastic ice maker outlet box with lead free quarter turn valve installed as noted below. Unit shall be Water-Tite product code checked below as manufactured by IPS Corporation. Valves comply with ASME A112.18.1. Valves comply with NSF/ANSI 372(annex G) and the U.S. Safe Drinking Water Act.

Item #	Product Description	Model #	Quantity
87967	1/4 Turn Lead Free Valve, 1/2" Sweat Conx.	AB9700	10
87971	1/4 Turn Lead Free Valve, 1/2" CPVC Conx.	AB9701	10
87969	1/4 Turn Lead Free Valve, 1/2" PEX Conx.	AB9702	10
87954	1/4 Turn Lead Free Valve, 3/8" PEX Conx.	AB9738	10
87973	1/4 Turn Lead Free Valve, 1/2" Wirsbo® Conx.	AB9711	10
88017	Domestic Adapter Lead Free Valve, 1/2" Sweat Conx.	AB9000 A 10	
82821	1/4 Turn Lead Free Valve, 1/2" REHAU EVERLOC+™ Conx.	AB9705	10
88008	Ice Maker Box Only - No Valve	9000 LV	10
CONTRACTOR PACKS			
87968	1/4 Turn Lead Free Valve, 1/2" Sweat Conx.	AB9700CP	20
87972	1/4 Turn Lead Free Valve, 1/2" CPVC Conx.	AB9701CP	20
87970	1/4 Turn Lead Free Valve, 1/2" PEX Conx.	AB9702CP	20
87955	1/4 Turn Lead Free Valve, 3/8" PEX Conx.	AB9738CP	20
87974	1/4 Turn Lead Free valve, 1/2" Wirsbo® Conx.	AB9711CP	20
87953	Domestic Adapter Lead Free Valve, 1/2" Sweat Conx.	AB9722CP	
82822	1/4 Turn Lead Free Valve, 1/2" REHAU EVERLOC+™ Conx.	AB9705CP	
DISPLAY PACKS - BAGGED			
82100	Ice Maker Box Only - No Valve	R9000LVB 10	
88182	1/4 Turn Lead Free Valve, 1/2" Sweat Conx	RAB9000B	10



500 Distribution Parkway, Collierville, TN 38017 ▪ Phone: 800-888-8312 ▪ Fax: 901-853-5008 ▪ www.ipscorp.com