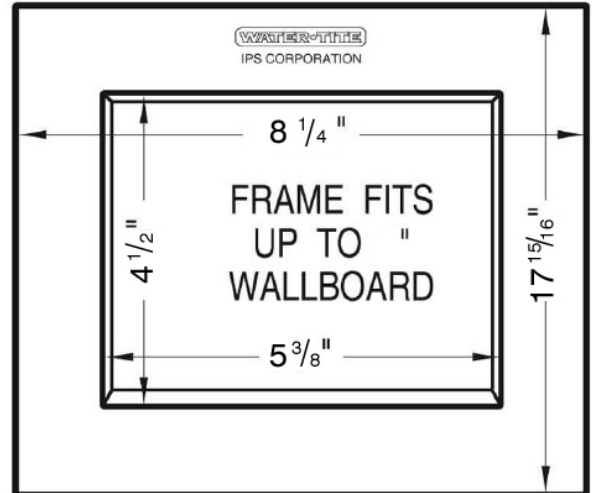
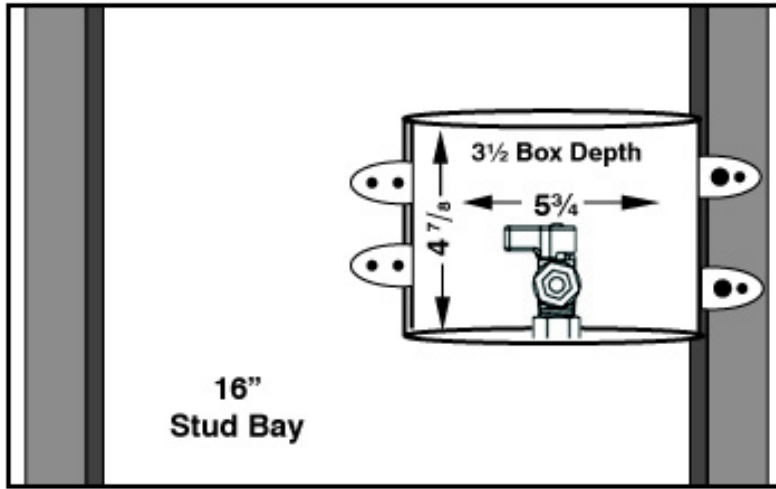


SPECIFICATION SUBMITTAL SHEET



PLASTIC ICE MAKER OUTLET BOXES with Quarter Turn Valves



Specifications:

Furnish and install ice maker outlet box. Unit shall be Water-Tite product code as manufactured by IPS Corporation.

Item #	Product Description	Model #	Quantity
82088	Brass Qtr Turn Valve* Installed - 1/2" Sweat Conx.	W9700	10
82090	Brass Qtr Turn Valve* Installed - 1/2" CPVC Conx.	W9701	10
82092	Brass Qtr Turn Valve* Installed - 1/2" PEX Conx.	W9702	10
82097	Brass Qtr Turn Valve* Installed - 3/8" PEX Conx.	W9738	10
88056	Brass Qtr Turn Valve* Installed - 1/2" Wirsbo® Conx.	W9711	10
88003	Domestic Adapter Valve Installed - 1/2" Sweat Conx.	W9000 A	10
88008	Ice Maker Box Only - No Valves	W9000 LV	10
Contractor Pack			
82089	Brass Qtr Turn Valve* Installed - 1/2" Sweat Conx.	W9700 CP	20
88085	Brass Qtr Turn Valve* Installed - 1/2" Sweat Conx/Less Frame	W9700 CPLF	20
82091	Brass Qtr Turn Valve* Installed - 1/2" CPVC Conx.	W9701 CP	20
82093	Brass Qtr Turn Valve* Installed - 1/2" PEX Conx.	W9702 CP	20
82099	Brass Qtr Turn Valve* Installed - 3/8" PEX Conx.	W9738 CP	20
88057	Brass Qtr Turn Valve* Installed - 1/2" Wirsbo® Conx.	W9711 CP	20

Product Listings Continued on Reverse



Display Pack				
	82103	Brass Qtr Turn Valve* Installed - 1/2" Sweat Conx.	R9000 B	10
Low Lead				
	87967	Brass Qtr Turn Valve* Installed - 1/2" Sweat Conx.	AB9700	10
	87969	Brass Qtr Turn Valve* Installed - 1/2" PEX Conx.	AB9702	10
	87971	Brass Qtr Turn Valve* Installed - 1/2" CPVC Conx.	AB9701	10
	87973	Brass Qtr Turn Valve* Installed - 1/2" Wirsbo® Conx.	AB9711	10
Low Lead Contractor Pack				
	87968	Brass Qtr Turn Valve* Installed - 1/2" Sweat Conx.	AB9700CP	20
	87970	Brass Qtr Turn Valve* Installed - 1/2" PEX Conx.	AB9702CP	20
	87972	Brass Qtr Turn Valve* Installed - 3/8" CPVC Conx.	AB9701CP	20
	87974	Brass Qtr Turn Valve* Installed - 1/2" Wirsbo® Conx.	AB9711CP	20
Low Lead Display Pack				
	88182	Brass Qtr Turn Valve* Installed - 1/2" Sweat Conx.	RAB9000B	10