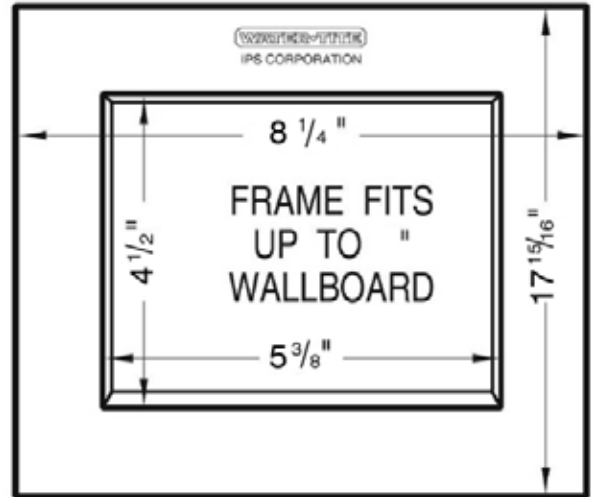
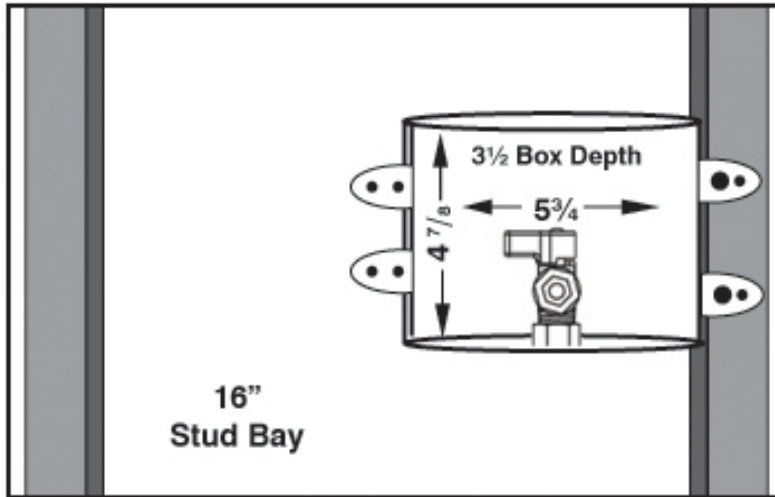


SPECIFICATION SUBMITTAL SHEET



PLASTIC ICE MAKER OUTLET BOXES with Lead Free Quarter Turn Valve



Specifications:

Furnish and install ice maker outlet box with lead free quarter turn valve. Unit shall be Water-Tite product code as manufactured by IPS Corporation.

Item #	Product Description	Model #	Quantity
87967	Brass Qtr Turn Lead Free Valve* Installed - 1/2" Sweat Conx.	AB9700	10
87971	Brass Qtr Turn Lead Free Valve* Installed - 1/2" CPVC Conx.	AB9701	10
87969	Brass Qtr Turn Lead Free Valve* Installed - 1/2" PEX Conx.	AB9702	10
87954	Brass Qtr Turn Lead Free Valve* Installed - 3/8" PEX Conx.	AB9738	10
87973	Brass Qtr Turn Lead Free Valve* Installed - 1/2" Wirsbo® Conx.	AB9711	10
88017	Domestic Adapter Lead Free Valve Installed - 1/2" Sweat Conx.	AB9000 A	10
88008	Ice Maker Box Only - No Valves	9000 LV	10
Contractor Pack			
87968	Brass Qtr Turn Lead Free Valve* Installed - 1/2" Sweat Conx.	AB9700 CP	20
87972	Brass Qtr Turn Lead Free Valve* Installed - 1/2" CPVC Conx.	AB9701 CP	20
87970	Brass Qtr Turn Lead Free Valve* Installed - 1/2" PEX Conx.	AB9702 CP	20
87955	Brass Qtr Turn Lead Free Valve* Installed - 3/8" PEX Conx.	AB9738 CP	20
87974	Brass Qtr Turn Valve* Installed - 1/2" Wirsbo® Conx.	AB9711 CP	20
87953	Brass Qtr Turn Valve Installed - 1/2" Viega PF C3onx - Contractor Pack	AB9722 CP	20
Display Pack			
82100	Ice Maker Box Only - No Valves	R9000LVB	10
88182	Brass Qtr Turn Lead Free Valve* Installed - 1/2" Sweat Conx.	RAB9000B	10

