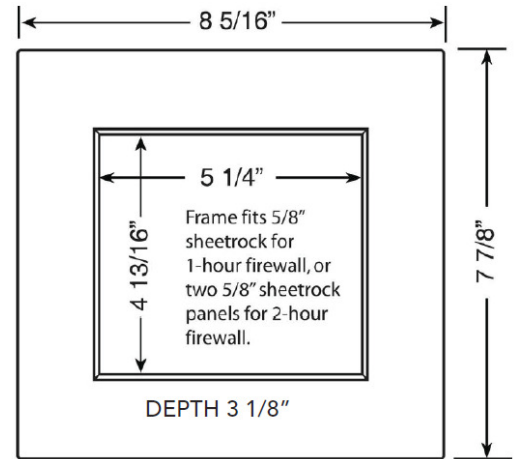
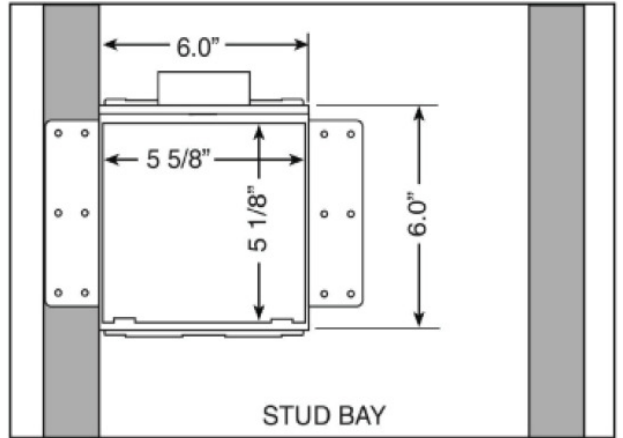
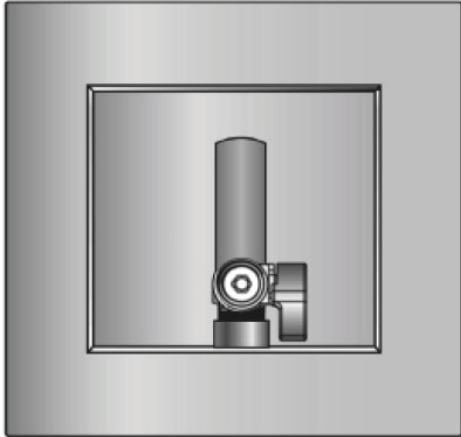




**FR-12 Fire Rated Ice Maker Outlet Box**  
With Lead Free, Quarter Turn Hammer Arrester Valves



**Specification:**

Furnish and install Guy Gray fire rated recessed ice maker outlet box. Unit shall have a lead free brass plated quarter-turn ball valve and integral hammer arrester. Unit shall be Guy Gray product code checked below as manufactured by IPS Corporation.

**Box Material:**

PVC Resin with Intumescent Pad attached.

**Valve & Drain Options:**

Lead free Qtr Turn Arrester Valve with 1/2" MIP/Sweat, CPVC, Pex or Wirsbo® connection. Valves comply with ASSE 1010

Product Code #	Product Description	Model Number	Units/Case
82417	Lead Free Qtr Turn Arrester Valve, 1/2" Sweat Conx.	FRIB12ABSHA	5
82418	Lead Free Qtr Turn Arrester Valve, 1/2" Sweat Conx., Contractor Pack	FRIB12ABSHACP	10
82419	Lead Free Qtr Turn Arrester Valve, 1/2" CPVC Conx.	FRIB12ABCHA	5
82420	Lead Free Qtr Turn Arrester Valve, 1/2" CPVC Conx., Contractor Pack	FRIB12ABCHACP	10
82421	Lead Free Qtr Turn Arrester Valve, 1/2" PEX Conx.	FRI12ABPHA	5
82422	Lead Free Qtr Turn Arrester Valve, 1/2" PEX Conx., Contractor Pack	FRIB12ABPHACP	10
82423	Lead Free Qtr Turn Arrester Valve, 1/2" Wirsbo® Conx.	FRIB12ABWHA	5
82424	Lead Free Qtr Turn Arrester Valve, 1/2" Wirsbo® Conx., Contractor Pack	FRIB12ABWHACP	10



www.ipscorp.com watertite@ipscorp.com

500 Distribution Parkway, Collierville, TN 38017, USA ■ TEL: 901-853-5001 ■ WATS: 800-888-8312 ■ FAX: 901-853-5008