

ProPEX® Lead-free (LF) Brass Coupling

Submittal information
Revision C: Sept. 7, 2016

Project information

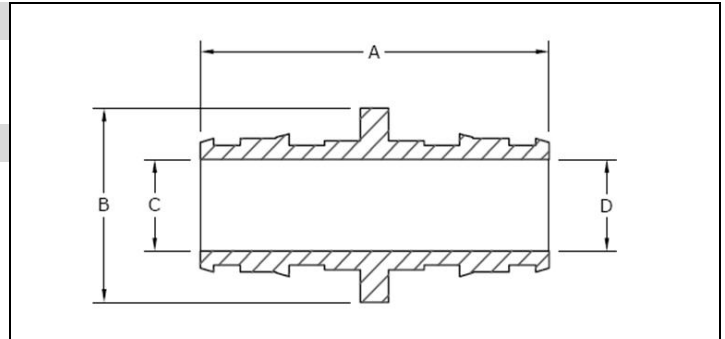
Job name:	
Location:	Part no. ordered:
Engineer:	Date submitted:
Contractor:	Submitted by:
Manufacturer's representative:	Approved by:

Technical data

Material: C69300 brass

Product information and application use

ProPEX® lead-free (LF) brass couplings are available for use in hot and cold domestic potable water and hydronic heating and cooling systems.¹ The coupling features the Uponor ProPEX fitting for connections to Wirsbo hePEX™ tubing or Uponor AquaPEX® tubing. Couplings are safe for direct burial in soil.



✓	Description	Part number	A	B	C	D	Weight
	ProPEX LF Brass Coupling, 3/8" PEX x 1/2" PEX	LF4543850	1.42"	0.740"	0.398"	0.280"	0.05 lbs.
	ProPEX LF Brass Coupling, 1/2" PEX x 1/2" PEX	LF4545050	1.54"	0.740"	0.398"	0.398"	0.07 lbs.
	ProPEX LF Brass Coupling, 1/2" PEX x 3/4" PEX*	LF4545075	1.78"	1.100"	0.614"	0.398"	0.12 lbs.
	ProPEX LF Brass Coupling, 3/4" PEX x 3/4" PEX*	LF4547575	2.02"	1.187"	0.595"	0.595"	0.13 lbs.
	ProPEX LF Brass Coupling, 3/4" PEX x 1" PEX*	LF4547510	2.25"	1.345"	0.795"	0.818"	0.16 lbs.
	ProPEX LF Brass Coupling, 1" PEX x 1" PEX*	LF4541010	2.49"	1.345"	0.818"	0.818"	0.20 lbs.

Installation

ProPEX tools and ProPEX rings (sold separately) are required for connecting the PEX tubing. Use the appropriately sized Uponor ProPEX ring for tubing connections. For more information, refer to the Uponor AquaPEX professional plumbing installation guide, the Uponor AquaSAFE™ residential fire sprinkler installation guide or the Uponor radiant floor heating installation handbook.

Standards

ASTM F877; ASTM F1960; CSA B137.5; NSF-14; NSF-16; NSF-372; UL-1821*

Codes

IBC; IRC; IPC; IMC; UPC; UMC; USEHC; NSPC; NPC of Canada

Listings

ANSI/NSF-14; ANSI/NSF-61; cNSF@us-pw-G; U.P. Code; IAPMO-ER-0253; ICC-ES-PMG-1006; ICC-ES-PMG-1012; HUD-MR-1269; cQAlusP321; UL-1821*; ULC/ORD-C199P*

Related applications

PEX-a Plumbing Systems
Uponor Residential Fire Safety Systems
Radiant Heating and Cooling Systems
Snow and Ice Melting Systems
Permafrost Protection Systems
Turf Conditioning Systems

Contact information

Uponor, Inc.
5925 148th Street West
Apple Valley, MN 55124 USA
Phone: 800.321.4739
Fax: 952.891.2008
www.uponorpro.com

Uponor Ltd.
2000 Argentia Road, Plaza 1, Suite 200
Mississauga, ON L5N 1W1 CANADA
Phone: 888.994.7726
Fax: 800.638.9517
www.uponorpro.com

¹ProPEX® is a registered trademark of Uponor, Inc. ProPEX™ is a trademark of Uponor Ltd.