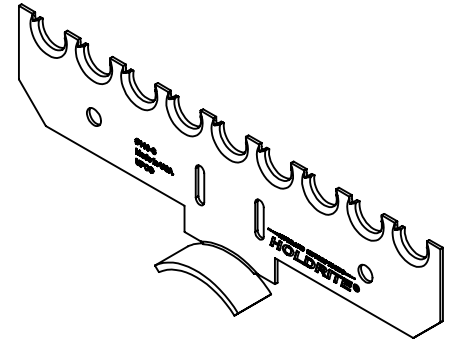
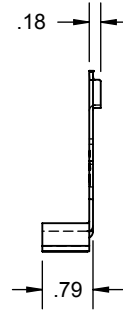
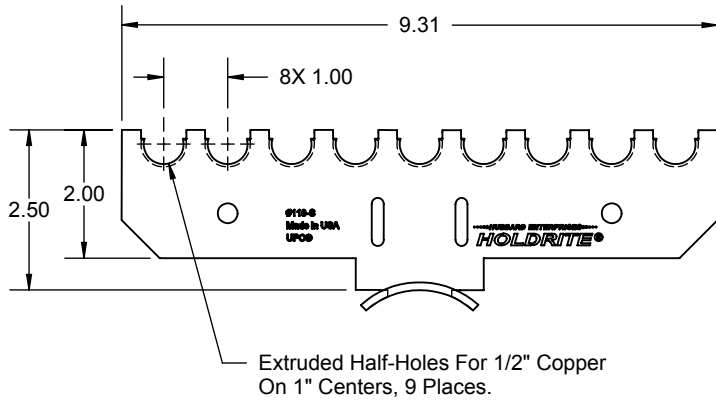


# PRODUCT SPECIFICATION DRAWING HOLDRITE® #110-S-1/2

Supports copper water lines for lavs  
or sinks off of the vent or trap arm



4" Stainless Steel Band

ALL DIMENSIONS IN INCHES

The HOLDRITE #110-S-1/2 is Copper-Bonded™ and available with 1/2" notches on 1" centers. This bracket mounts directly to a horizontal or vertical pipe, and is designed to position water supplies for lavatories, and other fixtures. Packaged with a self-locking 4" stainless steel band and self-adhesive isolation felt; solder the pipes directly to the #110-S to set 4", 6" and 8" centers. Heat the pipe, not the bracket.

## Product Information:

- Material: 16 gage CRS, Copper-Bonded™
- Load rating: 25 pounds
- UPC / IPC / IAPMO listed



THIS INFORMATION IS PROPRIETARY TO HOLDRITE AND IS SUBJECT TO CHANGE WITHOUT NOTICE. IT MAY NOT BE REPRODUCED IN PART OR WHOLE WITHOUT WRITTEN AUTHORIZATION.

# HOLDRITE®

CONVERTING MAKESHIFT METHODS INTO ENGINEERED SOLUTIONS<sup>SM</sup>  
800-321-0316 OR 760-744-6944 / FAX: 760-744-0507 / WWW.HOLDRITE.COM  
spec\_110-S-1/2\_RevF

Product Submittal	
Job Name:	
Date:	
Part Number:	Qty:
Architect / Owner:	
Contractor:	
Notes:	