

Lead-Free* Bronze Ball Valves

Features: Silicon Performance Bronze® Alloy • Two-Piece Body • Full Port • Blowout-Proof Stem

Approvals: MSS SP-110 • NSF/ANSI-61-8 Commercial Hot 180°F (includes annex F and G) and NSF/ANSI-372

Size range: 1/2" - 1"

Pressure rating: 600 PSI non-shock cold working pressure

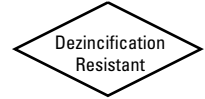
Maximum pressure / temperature: 100 PSI at 180° F

Lead-free* markings:

Double oval in body casting, white handle and blue hang tag



NSF/ANSI 61
NSF/ANSI 372



S-685-80-D-LF

Solder



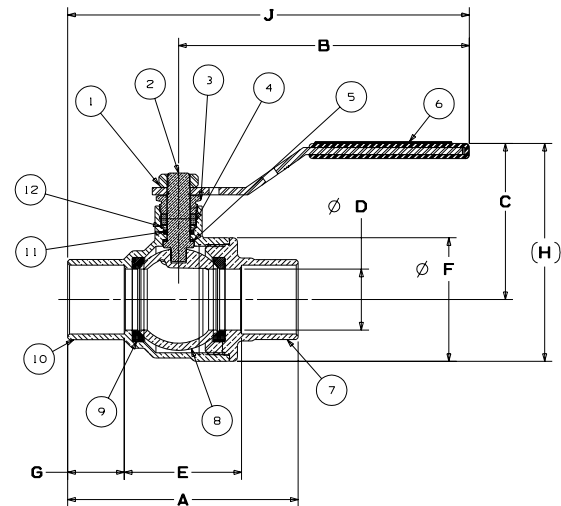
Handle Markings

MATERIAL LIST

PART	SPECIFICATION
1. Handle	Steel, Plated
2. Nut, Handle	Steel, Plated
3. Pack Gland	Brass ASTM B16 Alloy C36000
4. Packing, Stem	Virgin PTFE
5. Washer, Flat	430 Stainless
6. O-Ring, Stem	EPDM
7. Washer, Thrust	Reinforced PTFE
8. Stem	Silicon Bronze ASTM B371 Alloy C69300
9. Body, Solder	Silicon Bronze ASTM B283 Alloy C69300
10. Seat Ring	Virgin PTFE
11. Ball	Silicon Bronze ASTM B283 Alloy C69300
12. End Piece, Solder	Silicon Bronze ASTM B283 Alloy C69300
13. Drain Washer	Rubber
14. Drain Cap	Brass ASTM B16 Alloy C36000

DIMENSIONS—WEIGHTS

Nom. Size	Approx. Net Wt./Lbs.	DIMENSIONS/INCHES			
		A	B	C	D
1/2	0.504	2.28	3.90	1.95	0.50
3/4	0.943	3.05	4.66	2.30	0.75
1	1.114	3.72	4.66	2.50	1.00



S-685-80-D-LF
C x C

DIMENSIONS—WEIGHTS

NOM SIZE	A		B		C		D		E		F		G		J		Weight		
In. mm.	In.	mm.	In.	mm.	In.	mm.	In.	mm.	In.	mm.	In.	mm.	Lbs.	Kg.	Lbs.	Kg.	Lbs.	Kg.	
1/2	15	2.47	63	3.96	101	1.99	51	0.50	13	1.47	37	1.48	38	0.5	13	5.11	130	0.50	0.23
3/4	20	3.24	82	4.76	121	2.39	61	0.75	19	1.74	44	1.87	47	0.75	19	6.35	161	0.94	0.43
1	20	3.87	98	2.56	65	4.76	121	1.00	25	2.02	51	2.27	58	0.92	23	6.68	170	1.11	0.51

*Weighted average lead content ≤ 0.25%