

# Lead-Free\* Bronze Stop & Drain Valves

**Features:** Silicon Performance Bronze® alloy

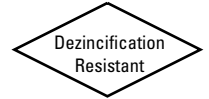
**Approvals:** NSF/ANSI 61-8 (includes annex F and G) and NSF/ANSI 372

**Pressure rating: 125 PSI non-shock cold working pressure**

**Maximum pressure / temperature: 125 PSI at 180° F**

Lead-free\* markings:

Double oval in body casting and white handle



## MATERIALS LIST

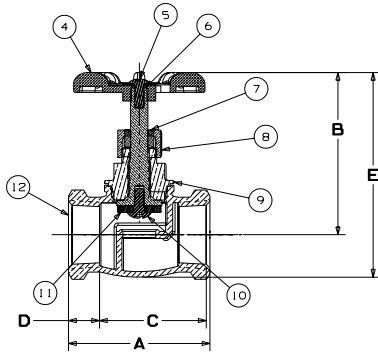
PART	SPECIFICATION
Body	ASTM B584 Alloy C87850
Bonnet	ASTM B584 Alloy C87850
Stem	Cold-formed Copper Alloy
Seat Disc	EPDM
Seat Disc Screw	Stainless Steel, Type 410
Packing Nut	Free Cutting Brass - ASTM B16
Packing	Graphite Impregnated, Asbestos-Free
Handwheel	Epoxy Coated Zinc Alloy
Handwheel Screw	Carbon Steel - Clear Chromate Finish



**726-LF**  
Cup x Cup

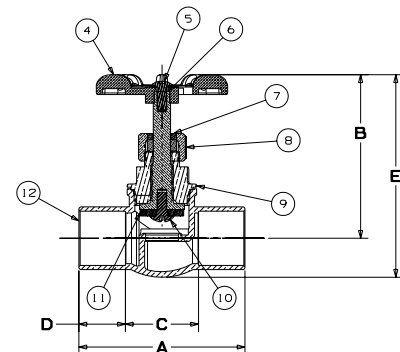


**76-LF**  
FIP x FIP



**76-LF**

DESCRIPTION	NOM. SIZE	DIMENSIONS		APPROX. NET WT.
		A	B	
Stop & Waste Valve	1/2"	2 <sup>3</sup> / <sub>16</sub> "	2 <sup>9</sup> / <sub>16</sub> "	.54 lb
FIP x FIP	3/4"	2 <sup>5</sup> / <sub>16</sub> "	2 <sup>9</sup> / <sub>16</sub> "	.60 lb



**726-LF**

DESCRIPTION	*NOM. SIZE	DIMENSIONS		APPROX. NET WT.
		B	C	
Stop & Waste Valve	1/2"	2 <sup>9</sup> / <sub>16</sub> "	1 <sup>3</sup> / <sub>16</sub> "	.42 lb
Cup x Cup	3/4"	2 <sup>9</sup> / <sub>16</sub> "	1 <sup>3</sup> / <sub>16</sub> "	.49 lb

## DIMENSIONS—WEIGHTS—QUANTITIES

NOM SIZE	A	B	C	D	E	F	76-LF	726-LF	Master
In. mm.	In. mm.	In. mm.	In. mm.	In. mm.	In. mm.	In. mm.	Lbs. Kg.	Lbs. Kg.	Ctn Qty.
1/2 15 2.16 55	2.19 56	1.44 37	0.36 9	3.06 78	2.12 54	0.54 0.12	0.42 0.09	0.42 0.09	50
3/4 20 2.28 58	2.31 59	1.28 33	0.50 13	3.21 82	2.12 54	0.60 0.14	0.49 0.11	0.49 0.11	50

\*Weighted average lead content ≤ 0.25%