



| | |
|-----------------|--|
| Job Name: | |
| Job Location: | |
| Engineer: | |
| Contractor: | |
| Tag: | |
| PO#: | |
| Rep: | |
| Wholesale Dist: | |

DESCRIPTION

Apollo® 3-piece cast bronze valve with -F3 trim intended for medical gas applications. Featuring copper phos brazed tube extensions, this valve can be soldered or brazed into the piping system without disassembly. The 3-piece design allows for in-line serviceability. Valves are cleaned and bagged for oxygen service, and feature a locking lever and two tapped and plugged gauge ports.

OUTSIDE THE ZONE BOX

NFPA 99 requires the valves to be secured in the open position. For medical gas applications that are Outside-the-Zone-Box, Apollo® offers three standard configurations: "F1" (1 gauge port), "F3" (2 gauge ports) & no gauge ports (w/ locking handles).

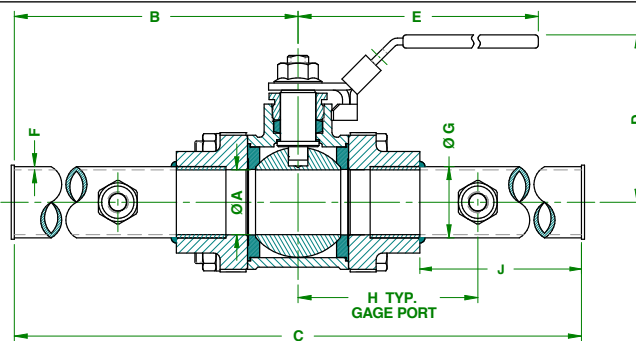
FEATURES

- Bronze Valve Body & End Caps
- RPTFE Seats and Stem Packing
- MSS SP-110 - "Ball Valves Threaded, Socket Welding, Solder Joint, Grooved & Flared Ends"
- 600 psig CWP Non-Shock (3" & 4" 400 CWP)
- Vacuum Service to 29" Hg
- Full Port in All Sizes
- Blowout-Proof Stem Design
- Adjustable Packing Nut

- In-Line Repairable
- F3 model Features 2 Gauge Ports
- Brass Gauge Port/Plug - 1/8" NPT
- Latch Lock Handle
- Cleaned for Oxygen Service per CGA G4.1 & NFPA 99
- Factory Brazed Male Extensions Allow Solder or Brazed Installation without Disassembly
- Type K Copper Tubing Brazed into Both End Caps
- **Made in USA**

STANDARD MATERIALS LIST

| | |
|-----------------------|---|
| LEVER AND GRIP | Steel, Zinc Plated w/ Vinyl or Stainless Steel w/ Vinyl |
| STEM PACKING | RPTFE |
| STEM BEARING | RPTFE |
| BALL | Brass B16, Chrome Plated or 316 SS |
| SEAT (2) | RPTFE |
| END CAP (2) | Bronze B584-C84400 |
| GLAND | Brass B16 |
| STEM | Brass B16 or 316 SS |
| LEVER NUT | Steel, Zinc Plated or SS |
| BODY BOLT | Steel, Zinc Plated or SS |
| HEX NUT | Steel, Zinc Plated or SS |
| BODY | Bronze B584-C84400 |
| EXTENSION | Type K Copper Tubing |
| BRAZING ALLOY | Copper Phos Paste |
| CAP PLUGS | (not shown) |



DIMENSIONS

| OXYGEN CLEANED W/ LOCKING HANDLE | | SIZE (IN.) | DIMENSIONS (IN.) | | | | | | | | | | WT. (LB.) |
|----------------------------------|-------------------------------|------------|------------------|-------|-------|------|---------|-------|-------|------|-------|-------|-----------|
| TRIM PLATED PART NUMBER | 316SS BALL & STEM PART NUMBER | | A | B | C | D | LOCKING | | F | G | H | J | |
| | | | | | | | E | | | | | | |
| 82-203-F3 | 82-243-F3 | 1/2" | 0.62 | 12.27 | 24.53 | 2.23 | 5.31 | 0.049 | 0.625 | 4.25 | 10.84 | 1.7 | |
| 82-204-F3 | 82-244-F3 | 3/4" | 0.81 | 12.25 | 24.50 | 2.41 | 5.31 | 0.065 | 0.75 | 4.24 | 10.53 | 2.4 | |
| 82-205-F3 | 82-245-F3 | 1" | 1.00 | 12.30 | 24.60 | 3.01 | 6.29 | 0.065 | 1.25 | 4.24 | 10.32 | 3.4 | |
| 82-206-F3 | 82-246-F3 | 1-1/4" | 1.25 | 12.23 | 24.46 | 3.22 | 6.29 | 0.065 | 1.375 | 4.23 | 9.89 | 5.5 | |
| 82-207-F3 | 82-247-F3 | 1-1/2" | 1.50 | 12.25 | 24.50 | 4.04 | 8.93 | 0.072 | 1.625 | 4.25 | 9.63 | 8.5 | |
| 82-208-F3 | 82-248-F3 | 2" | 2.00 | 12.25 | 24.50 | 4.15 | 8.93 | 0.083 | 2.125 | 4.25 | 9.18 | 14.0 | |
| 82-209-F3 | 82-249-F3 | 2-1/2" | 2.50 | 11.75 | 23.50 | 5.31 | 10.06 | 0.095 | 2.50 | 6.38 | 8.13 | 26.8 | |
| - | 82A-240-F3 | 3" | 3.00 | 11.94 | 23.87 | 8.10 | 18.00* | .0450 | 3.00 | 7.75 | 7.78 | 42.2 | |
| - | 82A-24A-F3 | 4" | 4.00 | 12.68 | 25.37 | 8.88 | 18.00* | .0700 | 4.00 | 8.00 | 7.25 | 106.0 | |

*3" & 4" valves come standard with SS ball and stem (not optional) and adjustable length locking handles.