

Quarter Turn Angle Stops

Product Features

- Brass construction
- 5/8" (15.87mm) O.D. x 3/8" (9.52mm) O.D.
- Cross Handle
- For Toilets & Sinks
- Compliant with Low Lead Content Requirements Laws

Finishes Available



CP

BN

ORB

PN

PB



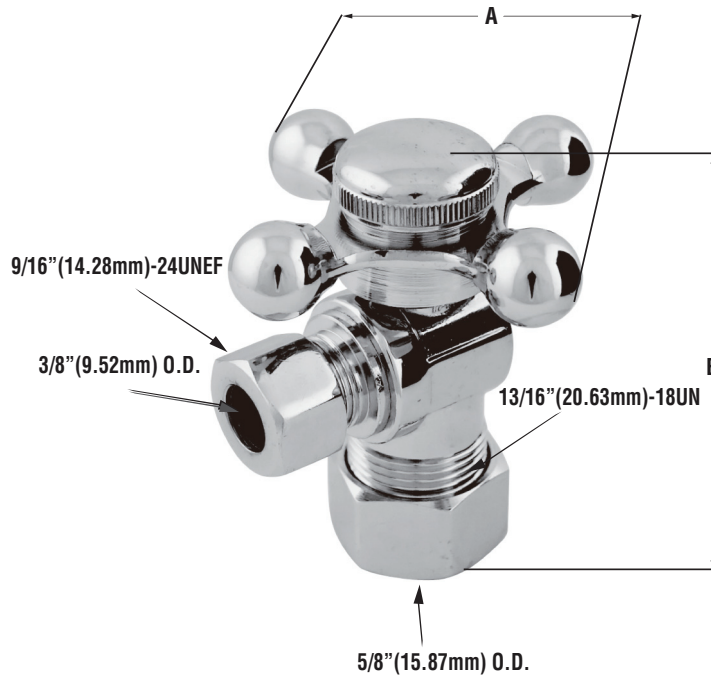
MB204BN



Product Numbers

ITEM	FINISH
MB204CP	Chrome Plated
MB204BN	PVD Brushed Nickel
MB204ORB	Oil Rubbed Bronze
MB204PN	PVD Polished Nickel
MB204PB	PVD Polished Brass

Product Specifications/Dimensions



in.	2-3/8	2-5/8
	A	B
mm	60.32	66.67

