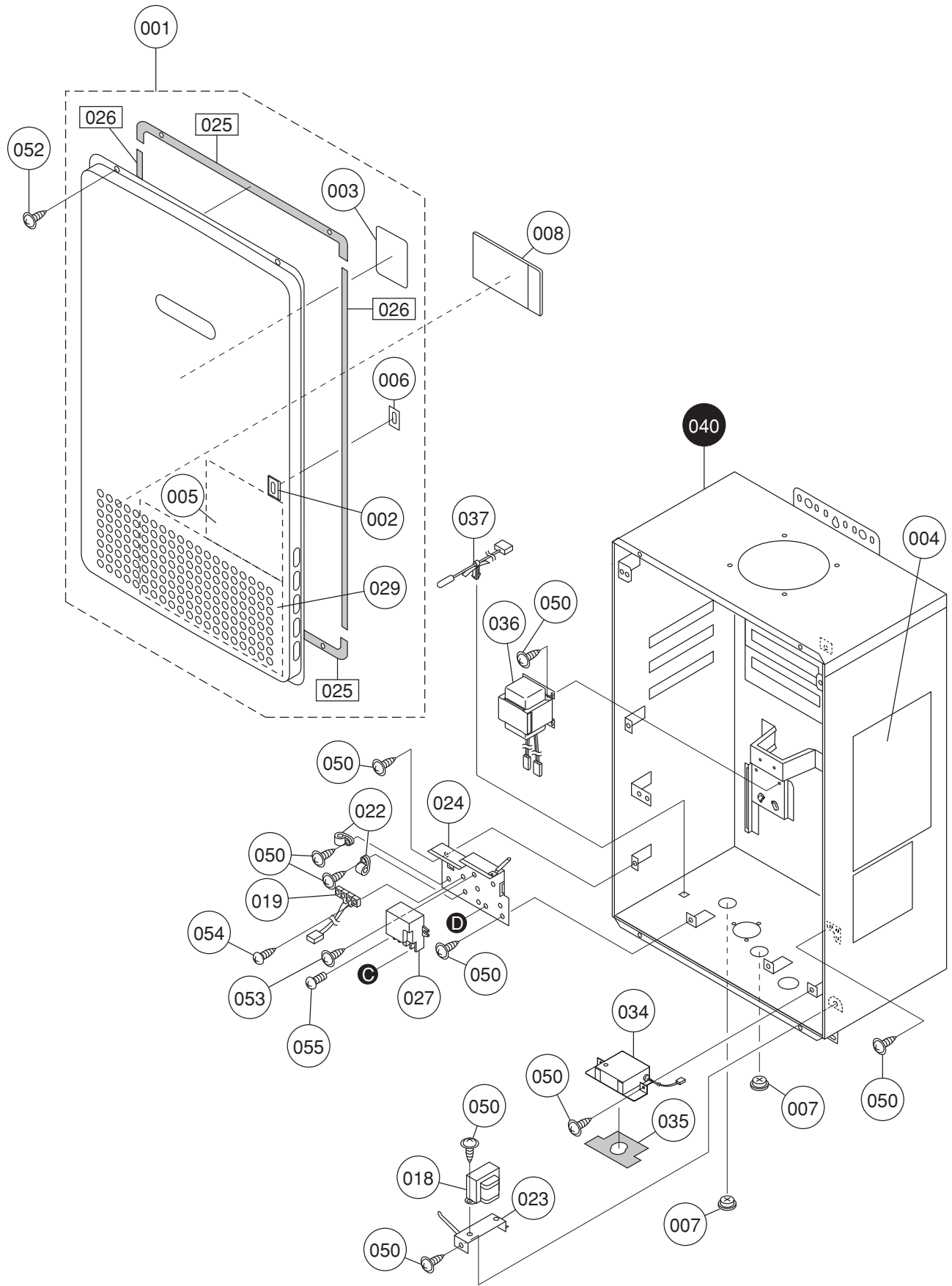
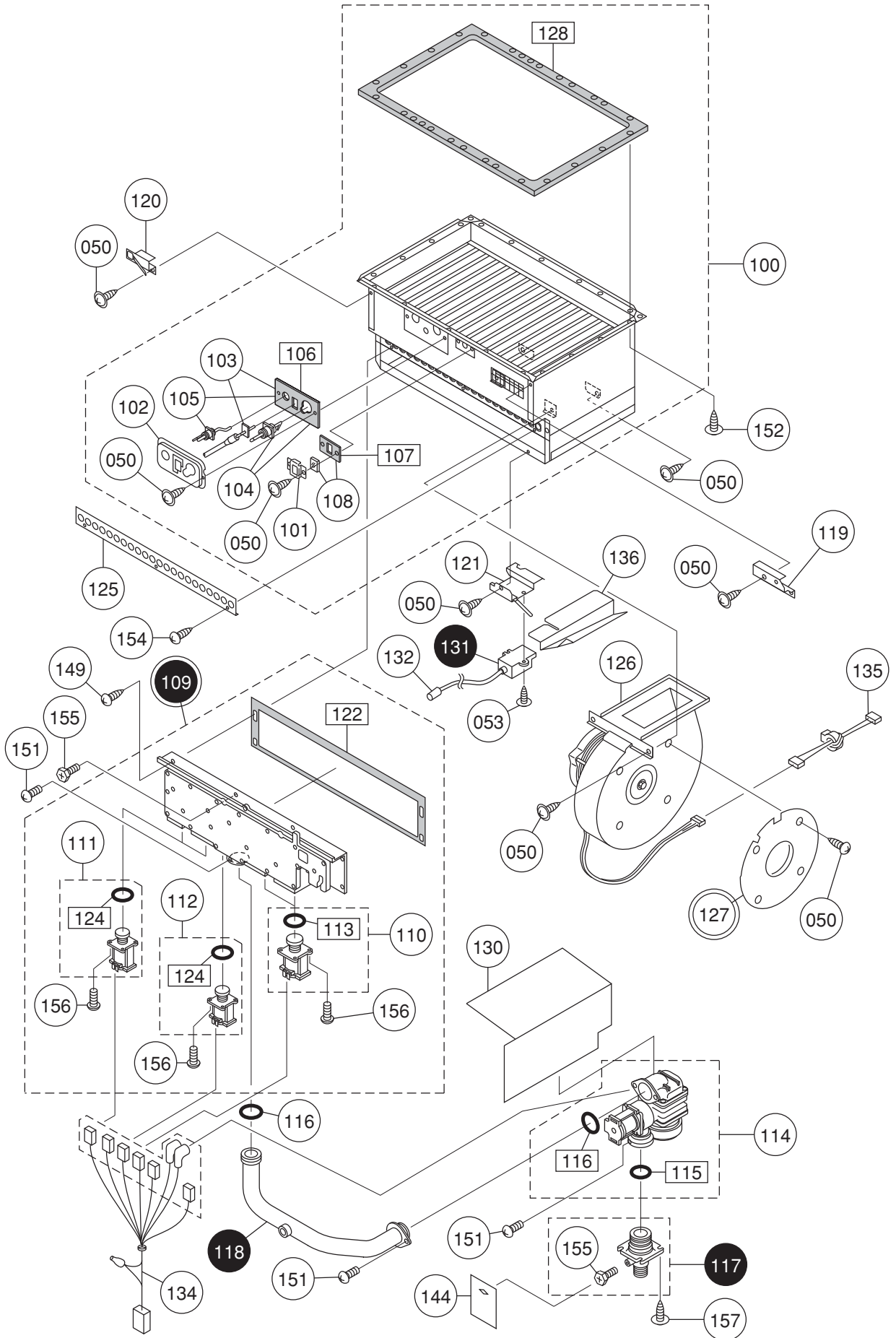


# External outfitting NC380-SV-ASME





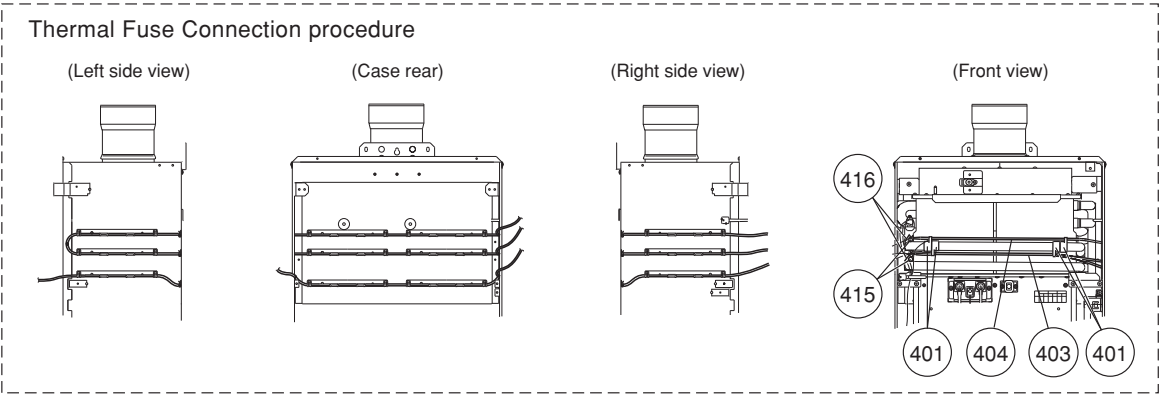
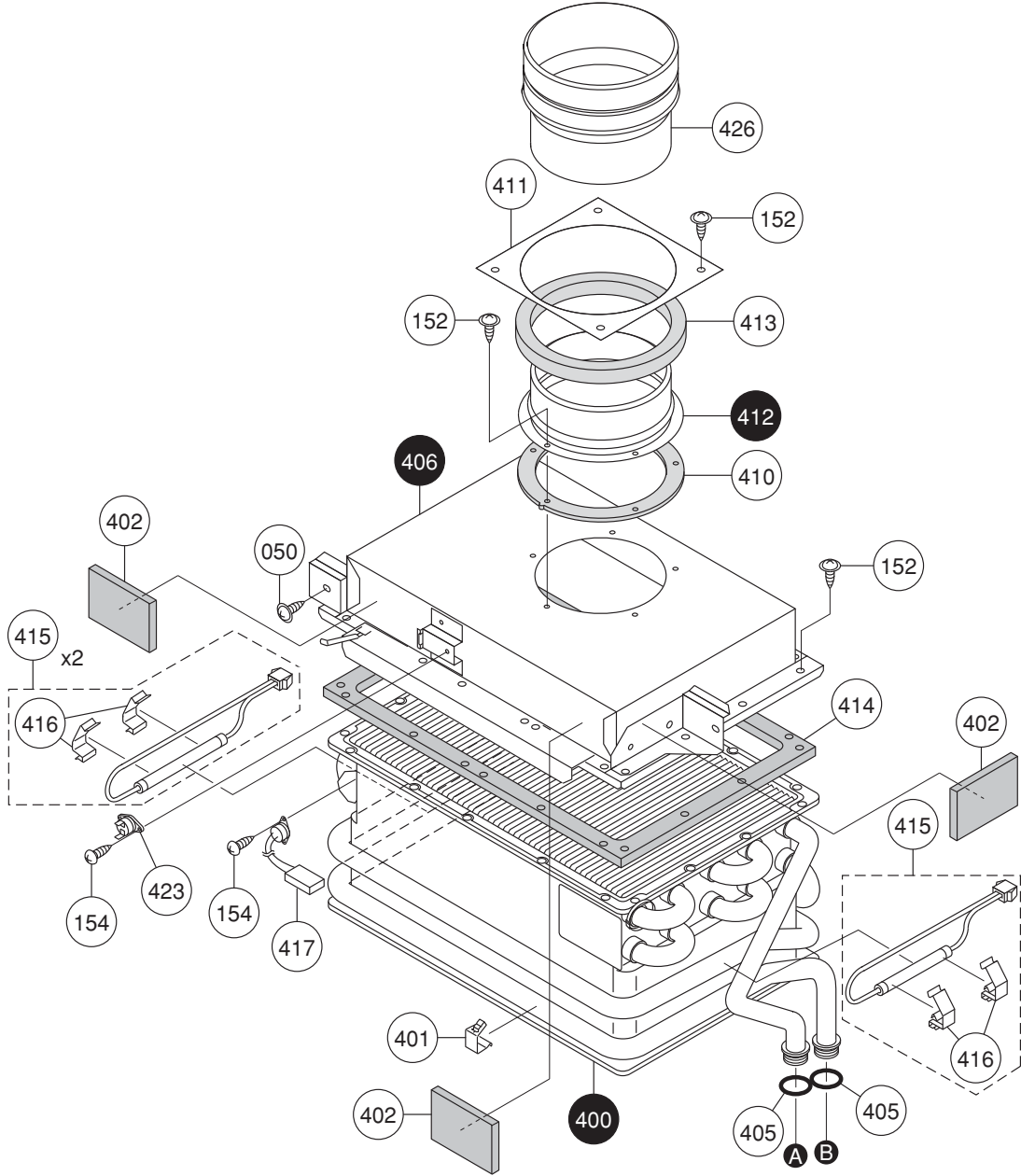
# Combustion unit and gas route NC380-SV-ASME



# Combustion unit and gas route NC380-SV-ASME

Part Nos.	Part Names	Order Nos.	Q'ty/unit
100	Combustion tube set DUV SET-V	SBC7549	1
101	Window glass holding plate AAA	AAAC027	1
102	Plug fixing plate(for N) DLK	DLKC009	1
103	Burner sensor DLK SET-V	SBA7505	1
104	Ignition plug & packing DLKL SET-V	SBN7223	1
105	Flame rod DLK SET-V	SBA7506	1
106	Plug packing(for N) DLK	DLKL012	1
107	Window glass packing CRU	CRUL005	1
108	Window glassA packing CRUSET-V	SAQ7345	1
109	Manifold set17 DMA SET-AS	SBA7535	1<LP>
	Manifold set27 DMA SET-AS	SKG7035	1<NG>
110	Solenoid S24L CRU-1 SET-V	SBB7173	2
111	Solenoid S16 CRU SET-V	SBB7213	2
112	Solenoid S09L DTJ JASO SETV	SBC7744	1
113	O-ring JASO 2037 type 1A	SAA6476	2
114	Gas mech. S24DQ CRP SET-V	SAQ7708	1
115	O-ring JASO 2028A	8590109	1
116	O-ring P25.5	SAB1512	2
117	Gas fitting 20A set EAU	EAUE001	1
118	Gas pipe set EAU	EAUE007	1
119	Fixing plate for burner case,right DMA	DMAA021	1
120	Fixing plate for burner case,left DMA	DMAA022	1
121	Mounting plate for igniter DMA	DMAA016	1
122	Manifold packing ENK	ENKL001	1
124	O-ring JASO 2030 type 1	SAA6044	3
125	Main damper 8 DMA	DMAC032	1
126	Fan moter DMA	DMAF030	1
127	Bell-mouth $\phi$ 56 CKB	CKBF021	1<LP>
	Bell-mouth $\phi$ 52 CKB	CKBF023	1<NG>
128	Suction air joint packing DMA	DMAL001	1
130	Gas mech. Cover DMA	DMAA025	1
131	Igniter CRP	CRPJ002	1
132	High-voltage cord 470	SAC1229	1
134	Conduit R10 EAU	EAUJ020	1
135	Conduit 27 DMA	DMAJ013	1
136	Waterproof cover EHA	EHAA010	1
144	Gas fitting label ELV	ELVK005	1
149	Cross recessed round-head type3 EVERTIGHT tapping screw 5X16		
151	Cross recessed round-head machine screw M4X8		
152	Cross recessed round-head collar N-tapping screw 4X10		
154	Cross recessed round-head N-tapping screw 4X8		
155	Cross recessed hexagon head machine screw M4X8		
156	Cross recessed round-head SPAKmachine screw with guide M4X12		
157	Cross&straight recessed truss type3 S TIGHT tapping screw 4X12		

# Hot-water feed route-1 NC380-SV-ASME





# Hot-water feed route-1 NC380-SV-ASME

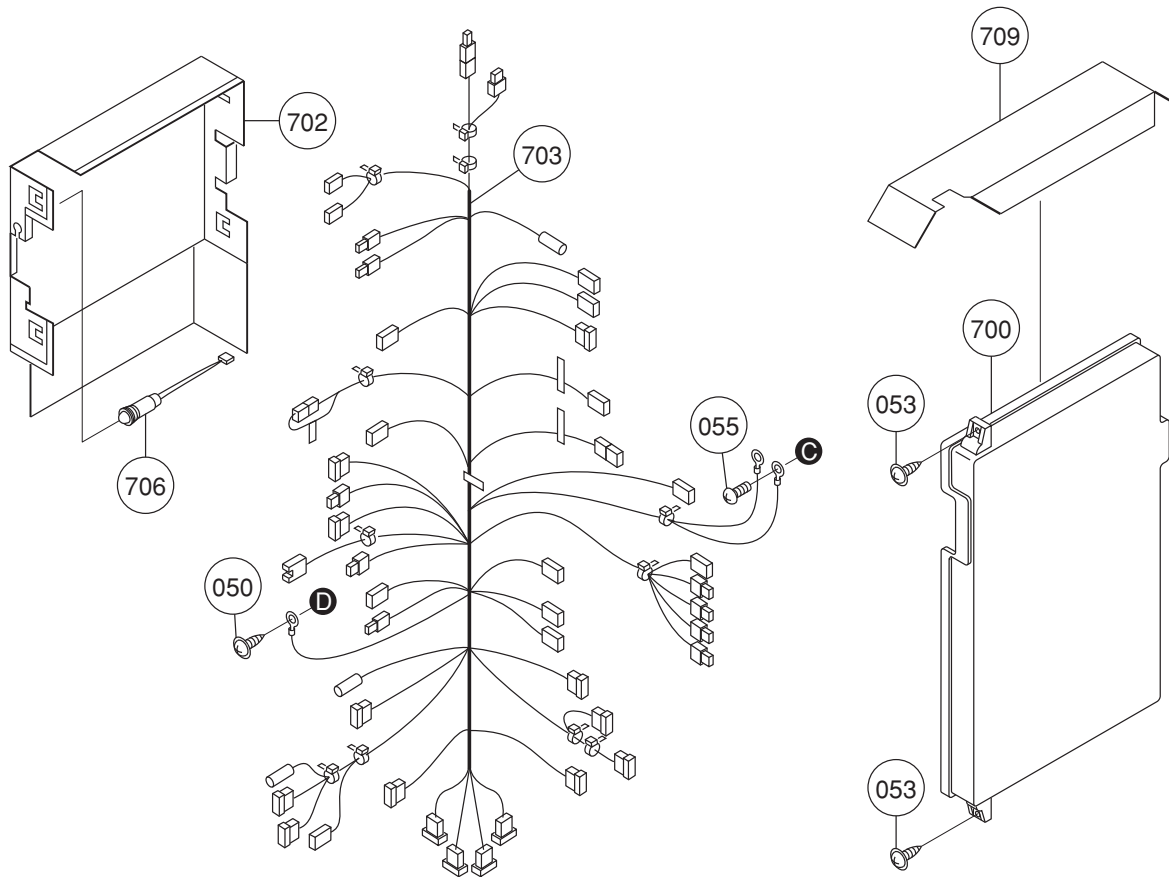
Part Nos.	Part Names	Order Nos.	Q'ty/unit
400	Heat exchanger SET ELR SET-AS	SKB7098	1
401	Thermal fuse fastener DMA	DMAH002	4
402	Heat insulator DMB	DMBL004	3
403	Thermal fuse DFE label ENK SET-V	SKE7494	1
404	Thermal fuse DMA label ENK SET-V	SKE7495	1
405	Chlorinated water-resistant O-ring P20	3059502	2
406	Exhaust box set ESB	ESBF001	1
410	Exhaust cylinder packing DMB	DMBL002	1
411	Case top cover DMB	DMBA006	1
412	Exhaust cylinder set DMB	DMBF002	1
413	Top cover packing DMB	DMBL001	1
414	Exhaust joint packing DMA	DMAL002	1
415	Freeze preventive heater CRP 1 SET-V	SBC7676	3
416	Heater fastener DMA	DMAH003	6
417	Remaining flame safety device 94 ELV	ELVH002	1
423	Thermostat BHV	BHVH002	1
426	Exhaust adapter EJH	EJHF001	1
427	Hot-water feed pipe ELR	ELRD003	1
428	Bypass coupling EHA	EHAD014	1
433	Water inlet pipe ELR	ELRD001	1
434	Water flow sensor set 1 DUV	DUVD017	1
435	Magnetic sensor BWC	BWCD093	1
440	Freeze preventive heater 3 BGD	BGDH002	4
441	Heater fastener LL CPL	CPLL002	1
442	Servo motor cable conduit (86) DZT	DZTJ009	1
443	Water flow sensor set 3 DUV	DUVD019	1
444	Chlorinated water-resistant O-ring P4	1323709	4
445	Shut-off cock AXG	AXGD089	1
446	Thermistor holding plate ALS	ALSD088	4
447	Water inlet thermistor-300 BWC	BWCD097	1
448	Water outlet magnetic sensor BWC	BWCD090	1
449	Water inlet fitting 25A set EAU	EAUD001	1
450	Water inlet filter CCP	CCPD031	1
451	Water inlet fitting cover DMA	DMAD037	1
452	O-ring JASO 2030 type4 C	SAB4190	1
454	Hot-water resistant O-ring P3	SAD6633	1
458	Drain cock CRU	CRUD003	1
459	Branching fitting set EHA	EHAD012	1
462	Freeze preventive heater 2 BGD	BGDH005	1
464	Drain coupling EHA	EHAD013	1
465	Hot-water outlet fitting EJH	EJHD001	1
466	QMF safety valve A(S)	SAA2811	2
467	Chlorinated water-resistant O-ring P24	1322109	1
468	Hot-water resistant O-ring P9	SAD6635	2
471	Chlorinated water-resistant O-ring P16	3223302	6
476	Waterproof cover CZL	CZLD041	2
477	Conduit 86 DZT	DZTJ008	1
478	Accumulator set DLW	DLWD001	1
480	Water flow servo set 1 DZT	SBH9490	1
481	Water flow servo set 2 DZT	SBH9491	1
482	Mixing mechanism set EHA	EHAD008	1
483	Hot-water thermistor-300 BWC	BWCD096	1
485	O-ring JASO 2026 type4 C	SAA6483	1
486	Heat exchanger thermistor-300 BWC	BWCD098	1
487	Mixing cylinder DMA	DMAD016	1





# Electronic control unit, Remote controller and Attached set NC380-SV-ASME

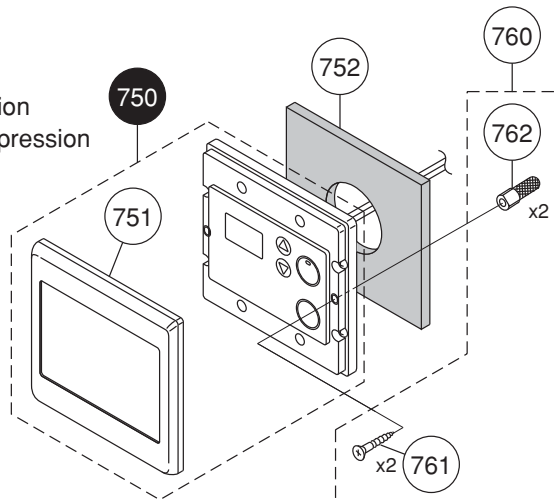
## Electronic control unit



### Optional

#### Remote controller RC-7649M-USA

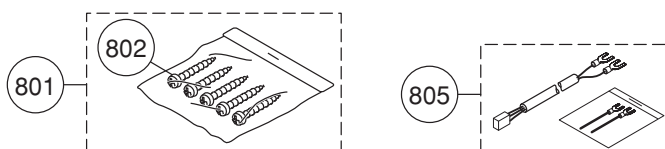
( Temperature: °F Expression  
Water Volume: Gallon Expression



#### RC-7650M-ENG (For Canada)

Temperature: °C Expression  
Water Volume: Liter Expression

## Attached set



<Special part>

Special part	Special part no.
Owner's guide	888
Installation manual	889

※ To request a French version of the Owner's guide or Installation manual, contact Noritz America.

# Electronic control unit, Remote controller and Attached set NC380-SV-ASME

Part Nos.	Part Names	Order Nos.	Q'ty/unit
700	Relay case EJH-C SET-AS	SHB7153	1
	Power circuit board SET2 DUV	DUVG102	1
702	Relay case cover DMA	DMAA028	1
703	Harness ESB	ESBJ001	1
706	Lamp cable conduit CRP	CRPJ014	1
709	Relay case waterproof cover DMA	DMAA026	1
750	RC-7649M body USA QME	QMEJ007	1
	RC-7650M body ENG QXU	QXUJ003	1<For Canada>
751	M Dressed frame body QME	QMEA003	1
752	Wall packing QHU	QHUA115	1
760	Shower remote controller screw set	SAD6448	1
761	Cross recessed round wood screw 4.1X25		
762	Oar plug 6X25		
800	N-1321M-ASME packing set V	SKD7162	1
	Included gas type label LP ESC	ESCK008	1<LP>
801	Screw SET(W)	SAB2753	1
802	Cross recessed round-head type 1 tapping screw 5X35		
805	Remote controller cord S SET EAU	EAUM001	1
888	Owner's guide GQ5011WZ-ASME	SBA8380	1
889	Installation manual GQ5011WZ-ASME	SBA8381	1