



www.Source1Parts.com

TM9M SERIES 97% (PSC) MODULATING MULTI-POSITION 33" NATURAL GAS FURNACES 2ND GENERATION (STYLE A)

HVAC SERVICE PARTS

Supersedes: Nothing

035-22813-001 Rev. A (0210)

1 of 4

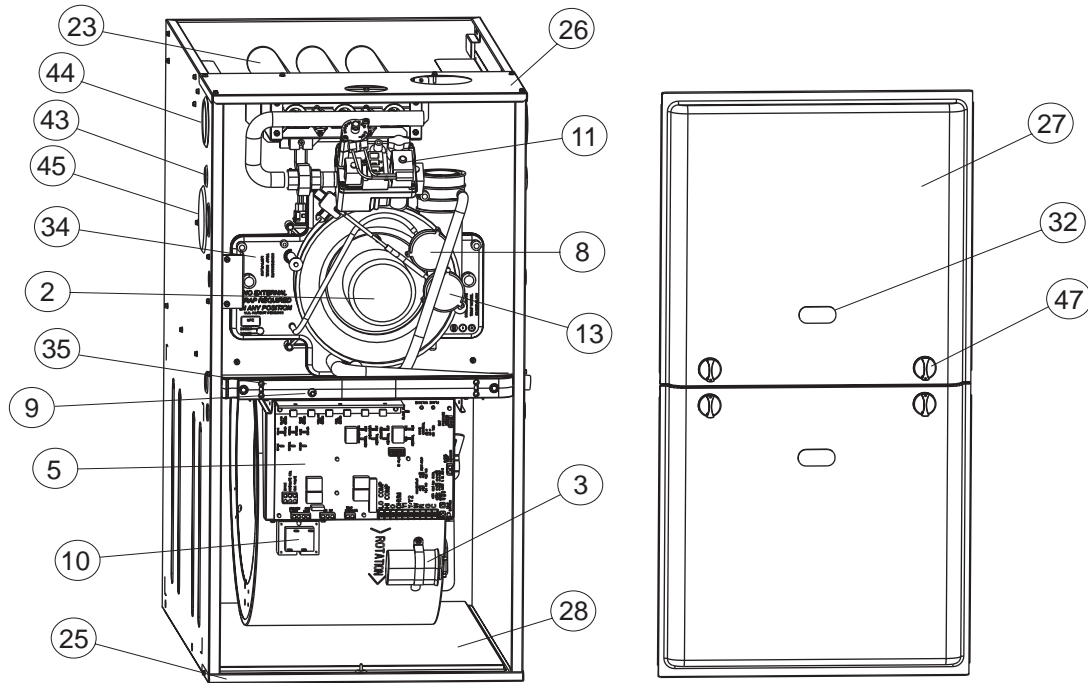


Figure 1: 97% MODULATING (PSC) MULTI-POSITION NATURAL GAS FURNACES

| FIG | ITEM | DESCRIPTION | TM9M060B12MP12A | TM9M080B12MP12A | TM9M080C16MP12A |
|-------------------------|------|--|-----------------------|-----------------------|-----------------------|
| | | | (3 BURNER) | (4 BURNER) | (4 BURNER) |
| MOTOR | | | | | |
| 2 | 1 | MOTOR, DIRECT DRIVE BLOWER | S1-02435647000 | S1-02435647000 | S1-02432055000 |
| 1,2 | 2 | BLOWER, COMBUSTION | S1-32642583000 | S1-32642583000 | S1-32642583000 |
| ELECTRICAL | | | | | |
| 1,2 | 3 | CAPACITOR, RUN (10MFD/370V) | S1-02435763000 | S1-02435763000 | S1-02435763000 |
| 3 | 4 | SWITCH, LIMIT(250 Deg Man Reset) (2 ea.) | S1-02541318000 | S1-02541318000 | S1-02541318000 |
| 1,2 | 5 | CONTROL, FURNACE | S1-33102972000 | S1-33102972000 | S1-33102972000 |
| * | 5A | PLUG, ID | S1-02541370000 | S1-02541371000 | S1-02541372000 |
| 3 | 6 | IGNITER | S1-02532625000 | S1-02532625000 | S1-02532625000 |
| 3 | 7 | SENSOR, FLAME | S1-02537499000 | S1-02537499000 | S1-02537499000 |
| 1,2 | 8 | SWITCH, PRESSURE | S1-02435929000 | S1-02435929000 | S1-02435929000 |
| 1,2 | 9 | SWITCH, DOOR | S1-02435738000 | S1-02435738000 | S1-02435738000 |
| 1,2 | 10 | TRANSFORMER | S1-2940A3541 | S1-2940A3541 | S1-2940A3541 |
| 1,3 | 11 | VALVE, GAS | S1-02543257000 | S1-02543257000 | S1-02543257000 |
| 2 | 12 | CONTROL, TEMPERATURE | S1-02541336000 | S1-02541321000 | S1-02541321000 |
| 1,2 | 13 | SWITCH, PRESSURE | S1-02435760000 | S1-02435760000 | S1-02435760000 |
| 2 | 14A | SENSOR, PRESSURE | S1-03109198000 | S1-03109198000 | S1-03109198000 |
| 2 | 14B | SENSOR, THERMISTOR | S1-03109199000 | S1-03109199000 | S1-03109199000 |
| AIR MOVING | | | | | |
| 1,2 | 15 | HOUSING, BLOWER | S1-37327824001 | S1-37327824001 | S1-37327824002 |
| 2 | 16 | WHEEL, BLOWER | S1-02619664709 | S1-02619664709 | S1-02619664014 |
| FABRICATED PARTS | | | | | |
| | 17 | | | | |
| 3 | 18 | BURNER, MAIN GAS | S1-02920482000 | S1-02920482000 | S1-02920482000 |
| 3 | 19 | BRACKET, IGNITER | S1-07317403000 | S1-07317403000 | S1-07317403000 |
| 2 | 20 | SHELF, BLOWER | S1-07327823002 | S1-07327823002 | S1-07327823003 |

NOTE: *Not Shown
 New replacement parts shown in **bold** face type at the first printing of parts list dated 2/10.
 Major components and suggested stocking items are shown with shaded item number.
 "<" Across from row indicates a change in that row.
 --- Not applicable to specified model.

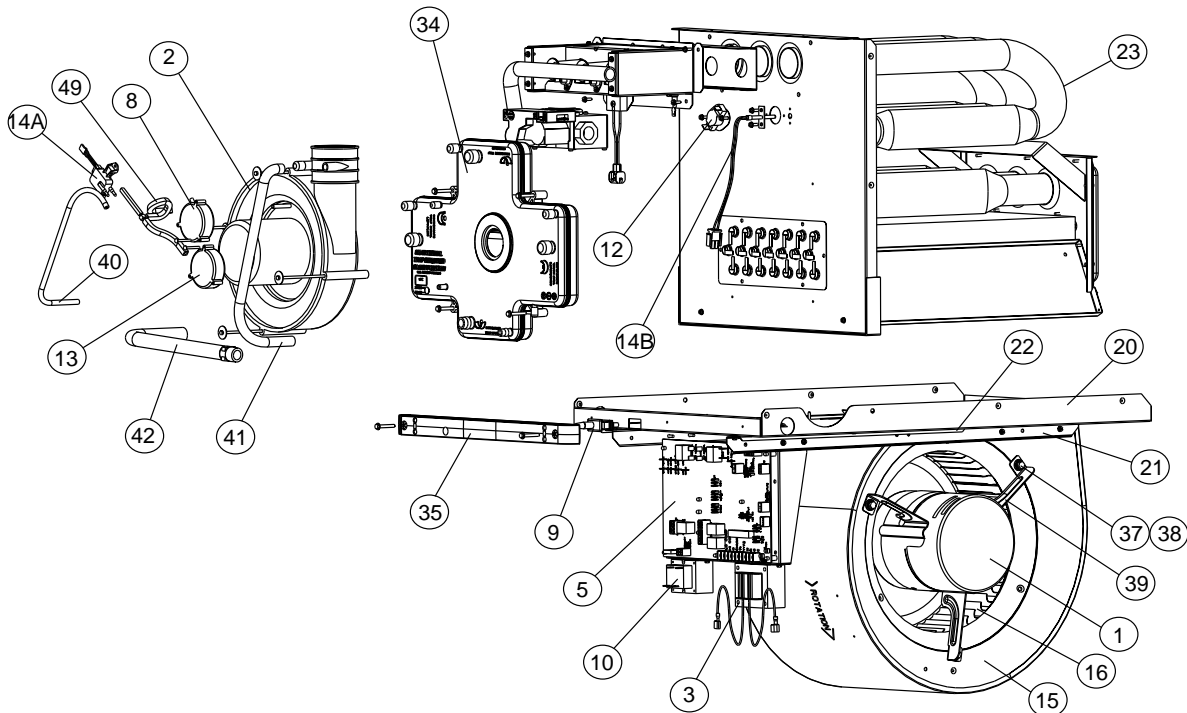


Figure 2: 97% MODULATING (PSC) MULTI-POSITION NATURAL GAS FURNACES

| FIG | ITEM | DESCRIPTION | TM9M060B12MP12A | TM9M080B12MP12A | TM9M080C16MP12A |
|-------------------------------------|------|--------------------------------------|-----------------|-----------------|-----------------|
| | | | (3 BURNER) | (4 BURNER) | (4 BURNER) |
| FABRICATED PARTS (Continued) | | | | | |
| 2 | 21 | RAIL, BLOWER (2 Req'd) | S1-07327825001 | S1-07327825001 | S1-07327825001 |
| 2 | 22 | BRACKET, BLOWER TRACK (2 Req'd) | S1-07327825002 | S1-07327825002 | S1-07327825002 |
| 1,2 | 23 | HEAT EXCHANGER ASS'Y | S1-37327871001 | S1-37327871002 | S1-37327871003 |
| 3 | 24 | MANIFOLD, GAS | S1-02924467000 | S1-02924468000 | S1-02924468000 |
| 1 | 25 | PAN, BOTTOM | S1-07327841002 | S1-07327841002 | S1-07327841003 |
| 1 | 26 | PANEL, TOP | S1-07327842002 | S1-07327842003 | S1-07327842004 |
| 1 | 27 | PANEL, DOOR (2 Req'd) | S1-37327822002 | S1-37327822002 | S1-37327822003 |
| 1 | 28 | PANEL, BLOCKOFF | S1-07327827002 | S1-07327827002 | S1-07327827003 |
| | 29 | | | | |
| | 30 | | | | |
| MISCELLANEOUS | | | | | |
| 3 | 31 | ORIFICE, BURNER (Natural #45) | S1-02921182045 | S1-02921182045 | S1-02921182045 |
| 1 | 32 | SIGHT GLASS, OVAL (2 Req'd) | S1-02538899000 | S1-02538899000 | S1-02538899000 |
| * | 33 | GASKET, FOAM (Door) (per ft.) | S1-02815517000 | S1-02815517000 | S1-02815517000 |
| 1,2 | 34 | PAN, CONDENSATE | S1-32815537001 | S1-32815544001 | S1-32815544001 |
| 1,2 | 35 | BRACKET, DOOR | S1-02815513000 | S1-02815513000 | S1-02815514000 |
| * | 36 | HARNES, WIRING | S1-02543258000 | S1-02543258000 | S1-02543258000 |
| 2 | 37 | FERRULE (3 Req'd) | S1-02320541000 | S1-02320541000 | S1-02320541000 |
| 2 | 38 | GROMMET (3 Req'd) | S1-02814740000 | S1-02814740000 | S1-02814740000 |
| 2 | 39 | MOUNT, MOTOR (Includes item 37 & 38) | S1-37319831002 | S1-37319831002 | S1-37319831002 |
| 2 | 40 | TUBING, SILICON | S1-02812499000 | S1-02812499000 | S1-02812499000 |
| 2 | 41 | HOSE, RAIN GUTTER | S1-02815539000 | S1-02815539000 | S1-02815539000 |
| 2 | 42 | HOSE, CONDENSATE | S1-02815855000 | S1-02815540000 | S1-02815855000 |
| 1 | 43 | PLUG, SEAL, 7/8" | S1-02815853000 | S1-02815853000 | S1-02815853000 |
| 1 | 44 | PLUG, SEAL, 2-3/8" | S1-02815854000 | S1-02815854000 | S1-02815854000 |
| 1 | 45 | PLUG, VENT PIPE | S1-02924406000 | S1-02924406000 | S1-02924406000 |
| * | 46 | BAG, PARTS | S1-02924480000 | S1-02924480000 | S1-02924480000 |
| 1 | 47 | KNOB, QUARTER TURN (4 Req'd) | S1-02924485000 | S1-02924485000 | S1-02924485000 |
| * | 48 | DIAGRAM, WIRING | 561274 | 561274 | 561274 |
| 2 | 49 | HOSE, VACUUM | S1-02815874000 | S1-02815874000 | S1-02815874000 |

NOTE: *Not Shown
 New replacement parts shown in **bold** face type at the first printing of parts list dated 2/10.
 Major components and suggested stocking items are shown with shaded item number.
 "<" Across from row indicates a change in that row.
 --- Not applicable to specified model.

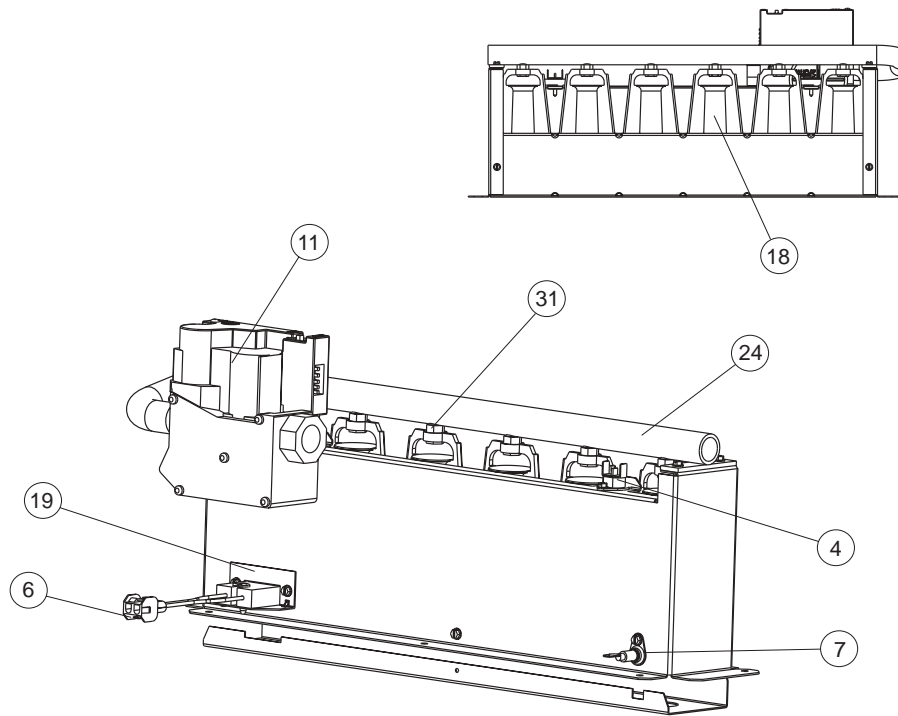


Figure 3: GAS CONTROLS

| FIG | ITEM | DESCRIPTION | TM9M100C16MP12A | TM9M100C20MP12A | TM9M120D20MP12A |
|-------------------|------|--|-----------------------|-----------------------|-----------------------|
| | | | (5 BURNER) | (5 BURNER) | (6 BURNER) |
| MOTOR | | | | | |
| 2 | 1 | MOTOR, DIRECT DRIVE BLOWER | S1-02432055000 | S1-02432056000 | S1-02432056000 |
| 1,2 | 2 | BLOWER, COMBUSTION | S1-32642583000 | S1-32642583000 | S1-32642583000 |
| ELECTRICAL | | | | | |
| 1,2 | 3 | CAPACITOR, RUN (10MFD/370V) | S1-02435763000 | --- | --- |
| | | CAPACITOR, RUN (15MFD/370V) | --- | S1-02435764000 | S1-02435764000 |
| 3 | 4 | SWITCH, LIMIT (250 Deg, Man Reset) (2 ea.) | S1-02541318000 | S1-02541318000 | S1-02541318000 |
| 1,2 | 5 | CONTROL, FURNACE | S1-33102972000 | S1-33102972000 | S1-33102972000 |
| * | 5A | PLUG, ID | S1-02541373000 | S1-02541374000 | S1-02541375000 |
| 3 | 6 | IGNITER | S1-02532625000 | S1-02532625000 | S1-02532625000 |
| 3 | 7 | SENSOR, FLAME | S1-02537499000 | S1-02537499000 | S1-02537499000 |
| 1,2 | 8 | SWITCH, PRESSURE | S1-02435929000 | S1-02435929000 | S1-02435929000 |
| 1,2 | 9 | SWITCH, DOOR | S1-02435738000 | S1-02435738000 | S1-02435738000 |
| 1,2 | 10 | TRANSFORMER | S1-2940A3541 | S1-2940A3541 | S1-2940A3541 |
| 1,3 | 11 | VALVE, GAS | S1-02543257000 | S1-02543257000 | S1-02543257000 |
| 2 | 12 | CONTROL, TEMPERATURE | S1-02541321000 | S1-02541321000 | S1-02541322000 |
| 1,2 | 13 | SWITCH, PRESSURE | S1-02435760000 | S1-02435760000 | S1-02435760000 |
| 2 | 14A | SENSOR, PRESSURE | S1-03109198000 | S1-03109198000 | S1-03109198000 |
| 2 | 14B | SENSOR, THERMISTOR | S1-03109199000 | S1-03109199000 | S1-03109199000 |
| AIR MOVING | | | | | |
| 1,2 | 15 | HOUSING, BLOWER | S1-37327824002 | S1-37327824003 | S1-37327824003 |
| 2 | 16 | WHEEL, BLOWER | S1-02619654014 | S1-02638510000 | S1-02638510000 |

NOTE: *Not Shown
 New replacement parts shown in **bold** face type at the first printing of parts list dated 2/10.
 Major components and suggested stocking items are shown with shaded item number.
 "<" Across from row indicates a change in that row.
 --- Not applicable to specified model.



| FIG | ITEM | DESCRIPTION | TM9M100C16MP12A | TM9M100C20MP12A | TM9M120D20MP12A |
|-------------------------|------|--------------------------------------|-----------------|-----------------|-----------------|
| | | | (5 BURNER) | (5 BURNER) | (6 BURNER) |
| FABRICATED PARTS | | | | | |
| | 17 | | | | |
| 3 | 18 | BURNER, MAIN GAS | S1-02920482000 | S1-02920482000 | S1-02920482000 |
| 3 | 19 | BRACKET, IGNITER | S1-07317403000 | S1-07317403000 | S1-07317403000 |
| 2 | 20 | SHELF, BLOWER | S1-07327823003 | S1-07327823004 | S1-07327823005 |
| 2 | 21 | RAIL, BLOWER (2 Req'd) | S1-07327825001 | S1-07327825001 | S1-07327825001 |
| 2 | 22 | BRACKET, BLOWER TRACK (2 Req'd) | S1-07327825002 | S1-07327825002 | S1-07327825002 |
| 1,2 | 23 | HEAT EXCHANGER ASS'Y | S1-37327871004 | S1-37327871004 | S1-37327871005 |
| 3 | 24 | MANIFOLD, GAS | S1-02924469000 | S1-02924469000 | S1-02924470000 |
| 1 | 25 | PAN, BOTTOM | S1-07327841003 | S1-07327841003 | S1-07327841004 |
| 1 | 26 | PANEL, TOP | S1-07327842005 | S1-07327842005 | S1-07327842006 |
| 1 | 27 | PANEL, DOOR (2 Req'd) | S1-37327822003 | S1-37327822003 | S1-37327822004 |
| 1 | 28 | PANEL, BLOCKOFF | S1-07327827003 | S1-07327827003 | S1-07327827004 |
| | 29 | | | | |
| | 30 | | | | |
| MISCELLANEOUS | | | | | |
| 3 | 31 | ORIFICE, BURNER (Natural #45) | S1-02921182045 | S1-02921182045 | S1-02921182045 |
| 1 | 32 | SIGHT GLASS, OVAL (2 Req'd) | S1-02538899000 | S1-02538899000 | S1-02538899000 |
| * | 33 | GASKET, FOAM (Door) (per ft.) | S1-02815517000 | S1-02815517000 | S1-02815517000 |
| 1,2 | 34 | PAN, CONDENSATE | S1-32815545001 | S1-32815545001 | S1-32815546001 |
| 1,2 | 35 | BRACKET, DOOR | S1-02815514000 | S1-02815514000 | S1-02815515000 |
| * | 36 | HARNES, WIRING | S1-02543258000 | S1-02543258000 | S1-02543258000 |
| 2 | 37 | FERRULE (3 Req'd) | S1-02320541000 | S1-02320541000 | S1-02320541000 |
| 2 | 38 | GROMMET (3 Req'd) | S1-02814740000 | S1-02814740000 | S1-02814740000 |
| 2 | 39 | MOUNT, MOTOR (Includes item 37 & 38) | S1-37319831002 | S1-37319831002 | S1-37319831002 |
| 2 | 40 | TUBING, SILICON | S1-02812499000 | S1-02812499000 | S1-02812499000 |
| 2 | 41 | HOSE, RAIN GUTTER | S1-02815539000 | S1-02815539000 | S1-02815539000 |
| 2 | 42 | HOSE, CONDENSATE | S1-02815856000 | S1-02815856000 | S1-02815857000 |
| 1 | 43 | PLUG, SEAL, 7/8" | S1-02815853000 | S1-02815853000 | S1-02815853000 |
| 1 | 44 | PLUG, SEAL, 2-3/8" | S1-02815854000 | S1-02815854000 | S1-02815854000 |
| 1 | 45 | PLUG, VENT PIPE | S1-02924406000 | S1-02924406000 | S1-02924406000 |
| * | 46 | BAG, PARTS | S1-02924481000 | S1-02924481000 | S1-02924481000 |
| 1 | 47 | KNOB, QUARTER TURN (4 Req'd) | S1-02924485000 | S1-02924485000 | S1-02924485000 |
| * | 48 | DIAGRAM, WIRING | 561274 | 561274 | 561274 |
| 2 | 49 | HOSE, VACUUM | S1-02815874000 | S1-02815874000 | S1-02815874000 |

NOTE: *Not Shown
 New replacement parts shown in **bold** face type at the first printing of parts list dated 2/10.
 Major components and suggested stocking items are shown with shaded item number.
 "<" Across from row indicates a change in that row.
 --- Not applicable to specified model.

TO ORDER AUTHORIZED FACTORY REPLACEMENT PARTS - Contact your Source1 HVAC Parts Distributor or visit our website at www.Source1Parts.com for a Distributor and Dealer listing.