

USA: T. (978) 688-1811 • F. (978) 794-1848 • www.watts.com
 Canada: T. (905) 332-4090 • F. (905) 332-7068 • www.watts.ca
 Latin America: T. (52) 81-1001-8600 • www.watts.com

WATTS[®]

QUANT À LEUR DURÉE À UN AN À COMPTER DE LA DATE D'ÉDITION D'ORIGINE. TOUTES LES GARANTIES SONT LIMITÉES À UN BUT PARTICULIER, SE LIMITANT À LEUR DURÉE À UN AN À COMPTER DE LA DATE D'ÉDITION D'ORIGINE. TOUTES LES GARANTIES SONT LIMITÉES À UN BUT PARTICULIER, SE LIMITANT À LEUR DURÉE À UN AN À COMPTER DE LA DATE D'ÉDITION D'ORIGINE. TOUTES LES GARANTIES SONT LIMITÉES À UN BUT PARTICULIER, SE LIMITANT À LEUR DURÉE À UN AN À COMPTER DE LA DATE D'ÉDITION D'ORIGINE.

La présente garantie est déclarée nulle et non avenue en cas d'usage abusif ou incorrect, d'application, d'installation incorrecte ou de modification du produit. La présente garantie est déclarée nulle et non avenue en cas d'usage abusif ou incorrect, d'application, d'installation incorrecte ou de modification du produit. La présente garantie est déclarée nulle et non avenue en cas d'usage abusif ou incorrect, d'application, d'installation incorrecte ou de modification du produit.

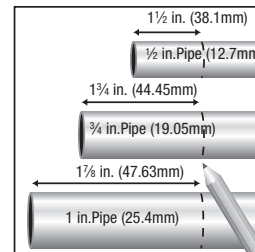
Garantie limitée : Watts Regulator Co. (la « Société ») garantit que chacun de ses produits est exempt de vice de matériau et de fabrication dans des conditions normales d'utilisation pour une période de un an à compter de la date d'expédition d'origine. Dans l'éventualité où de tels vices se manifesteraient pendant la période de garantie, la Société, à sa discrétion, remplacera ou reconduira le produit sans frais. La présente garantie EST EXPRESSE ET REPRÉSENTE LA SEULE GARANTIE OFFERTE PAR LA SOCIÉTÉ POUR CE PRODUIT. LA SOCIÉTÉ N'OFFRE AUCUNE AUTRE GARANTIE, EXPRESSE OU TACITE, PAR LA PRÉSENTE. LA SOCIÉTÉ REJETTE SPÉCIFIQUEMENT TOUTE AUTRE GARANTIE, EXPRESSE OU TACITE, NOTAMMENT TOUTE GARANTIE TACITE DE QUALITÉ MARCHANDE OU D'ADAPTATION À UN BUT PARTICULIER.

Pour plus d'informations: www.watts.com/props

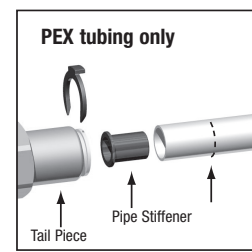
AVERTISSEMENT: Ce produit contient des produits chimiques et peut provoquer des anomalies congénitales ou affecter la capacité de reproduction.

Quick-Connect Installation

To Connect:



1. Mark pipe as shown. This is pipe insertion depth.
2. Clean pipe end.



3. If using PEX tubing, insert pipe stiffener (provided) into end of pipe.
4. Push tubing into tailpiece up to mark.
5. Insert collet clip.

To Disconnect:

WARNING

Troubleshooting

High System Pressure

If the downstream system pressure is higher than the set pressure under no flow conditions, the cause could be thermal expansion, pressure creep or dirt/debris on the seat.

Thermal expansion occurs whenever water is heated in a closed system. The system is closed when supply pressure exceeds 150psi, or a check valve or backflow preventer is installed in the supply piping.

You must make provisions for pressure relief protection of your plumbing system and components. The use of a relief valve such as the Watts 530C, BRV, Governor 80, or 3L or potable water expansion tank such as the Watts DET, PLT or DETA may be required.

To determine if this is the result of thermal expansion, try briefly opening the cold water tap. If the increased pressure is caused by thermal expansion, the pressure will immediately be relieved and the system will return to the set pressure. Watts offers a pressure test gauge, model 276H300 to assist you in determining if you have high water pressure.

The 276H300 when attached to a hose bibb registers the highest pressure reading over the period of time it is left on the system.



USA: T. (978) 688-1811 • F. (978) 794-1848 • www.watts.com
 Canada: T. (905) 332-4090 • F. (905) 332-7068 • www.watts.ca
 Latin America: T. (52) 81-1001-8600 • www.watts.com

WATTS[®]

Garantía limitada: Watts Regulator Co. (en adelante, "la Compañía") garantiza, por un período de un año a partir de la fecha de embarque original, que sus productos están libres de defectos en materiales y mano de obra bajo condiciones de uso normal. En caso de que se evidencien tales defectos dentro del período de garantía, la Compañía reemplazará o reconducirá el producto sin costo alguno. La presente garantía EST EXPRESA Y ES LA ÚNICA GARANTÍA OTORGADA POR LA COMPAÑÍA EN RELACIÓN CON EL PRODUCTO. LA COMPAÑÍA NO OTORGA NINGUNA OTRA GARANTÍA, YA SEA EXPRESA O IMPLÍCITA, POR LA PRESENTE RENUNCIA ESPÉCIFICAMENTE A TODAS LAS DEMÁS GARANTÍAS, EXPRESAS O IMPLÍCITAS, INCLUYENDO SIN LIMITACIÓN, LAS GARANTÍAS IMPLÍCITAS DE APTITUD PARA LA COMERCIALIZACIÓN E IDONEIDAD PARA UN PROPÓSITO EN PARTICULAR, SE LIMITA EN SU DURACIÓN A UN AÑO A PARTIR DE LA FECHA DEL EMBAQUE ORIGINAL.

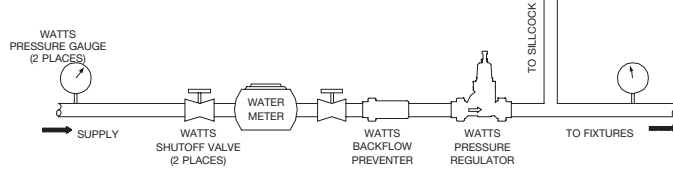
La solución descrita en el primer párrafo de esta garantía constituirá la única y exclusiva solución por incumplimiento de garantía, y la Compañía no se hará responsable por daños accidentales, especiales, indirectos, incluyendo otros tipos de ganancias o el costo de reparación o reemplazo de otros componentes adversos del agua, químicos o cualquier otro circunstancias sobre la cual la Compañía no tenga control. Esta garantía no tendrá validez en cualquier caso de abuso, uso indebido, aplicación incorrecta, instalación inadecuada, o mantenimiento adecuado o alteración del producto.

UN PROPÓSITO EN PARTICULAR. LA GARANTÍA IMPLÍCITAS DE APTITUD PARA LA COMERCIALIZACIÓN E IDONEIDAD PARA UN PROPÓSITO EN PARTICULAR, SE LIMITA EN SU DURACIÓN A UN AÑO A PARTIR DE LA FECHA DEL EMBAQUE ORIGINAL. LA GARANTÍA IMPLÍCITAS DE APTITUD PARA LA COMERCIALIZACIÓN E IDONEIDAD PARA UN PROPÓSITO EN PARTICULAR, SE LIMITA EN SU DURACIÓN A UN AÑO A PARTIR DE LA FECHA DEL EMBAQUE ORIGINAL.

Para más información: www.watts.com/props

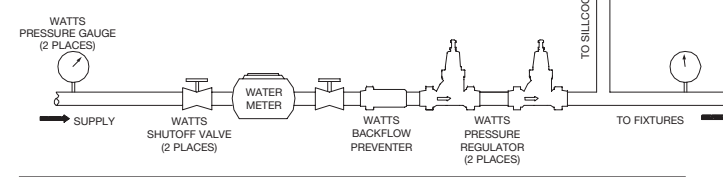
ADVERTENCIA: Este producto contiene sustancias químicas de cáncer y malformaciones u otros daños reproductivos.

Typical Installation



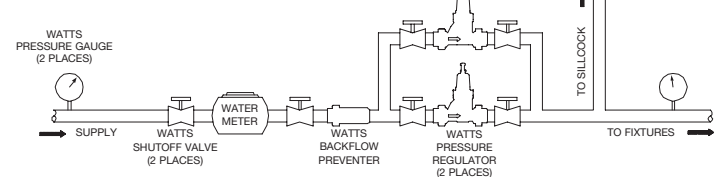
Series Installation

Series installations are recommended where very high supply pressure must be reduced to a very low downstream pressure. Reducing the pressure in stages eliminates whistling and noise.



Parallel Installation

Parallel installations are recommended where high flow or low flow demand is intermittent/occasional. They are also used for installations where service cannot be interrupted.



WARNING

For valves with CPVC or PEX end connections, do not exceed the tubing manufacturers pressure and temperature ratings. Refer to the tubing manufacturers product specifications for that information.

USA: T. (978) 688-1811 • F. (978) 794-1848 • www.watts.com
 Canada: T. (905) 332-4090 • F. (905) 332-7068 • www.watts.ca
 Latin America: T. (52) 81-1001-8600 • www.watts.com

WATTS[®]

Garantía limitada: Watts Regulator Co. (the "Company") warrants each product to be free from defects in material and workmanship under normal usage for a period of one year from the date of original shipment. The warranty set forth herein is given expressly and is the only warranty given by the company with respect to the product. The company makes no other warranties, express or implied, including but not limited to the implied warranties of merchantability and fitness for a particular purpose.

La solución descrita en el primer párrafo de esta garantía constituirá la única y exclusiva solución por incumplimiento de garantía, y la Compañía no se hará responsable por daños accidentales, especiales, indirectos, incluyendo otros tipos de ganancias o el costo de reparación o reemplazo de otros componentes adversos del agua, químicos o cualquier otro circunstancias sobre la cual la Compañía no tenga control. Esta garantía no tendrá validez en cualquier caso de abuso, uso indebido, aplicación incorrecta, instalación inadecuada, o mantenimiento adecuado o alteración del producto.

Limited Warranty: Watts Regulator Co. (the "Company") warrants each product to be free from defects in material and workmanship under normal usage for a period of one year from the date of original shipment. In the event of such defects within the warranty period, the Company will, at its option, replace or recondition the product without charge. The warranty set forth herein is given expressly and is the only warranty given by the company with respect to the product. The company makes no other warranties, express or implied, including but not limited to the implied warranties of merchantability and fitness for a particular purpose.

For more information: www.watts.com/props

WARNING: This product contains chemicals known to the State of California to cause cancer and birth defects or other reproductive harm.

Adjustment

Regulator is factory preset to 50psi (344 kPa) in a static condition. To adjust pressure setting, loosen the lock nut and turn the adjusting bolt clockwise to increase pressure, counterclockwise to decrease pressure.

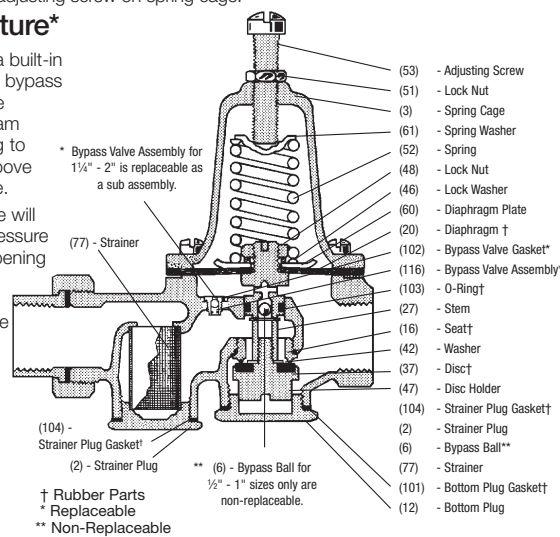
WARNING

Any time a reducing valve is adjusted, use a pressure gauge to verify correct pressure setting. Do not bottom out adjusting screw on spring cage.

Bypass Feature*

This regulator has a built-in thermal expan-sion bypass feature. This feature prevents downstream pressure from rising to more than 10psi above the supply pressure.

*The bypass feature will not prevent the pressure relief valve from opening on the hot water supply system with pressure above 150psi (10.3 bar).



Repair Kits

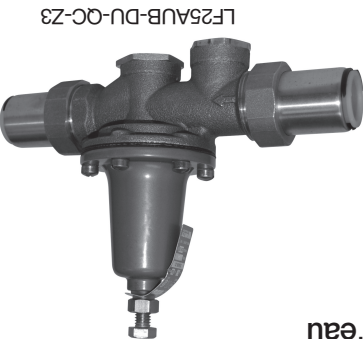
† Kit for Series LF25AUB-Z3 includes all items shown above

ORDERING CODE	KIT NO.	SIZE (DN)	
		in	mm
0864941	1/2" LF25AUB-RK	1/2	15
0864943	3/4" LF25AUB-RK	3/4	20
0864942	1" LF25AUB-RK	1	25
0864944	1 1/4" LF25AUB-RK	1 1/4	32
0864945	1 1/2" LF25AUB-RK	1 1/2	40
0864946	2" LF25AUB-RK	2	50

When Ordering, Specify:

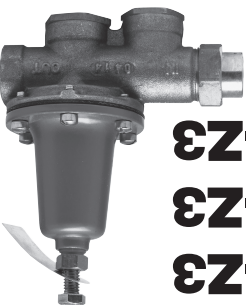
1. Ordering Code
2. Size of Valve
3. Type Number
4. Model shown on Nameplate

WATTS[®]



1/2" - 2" (15-50mm)

LF25AUB-Z3



Regulador de la presión del agua

Valvula reductora de la presión

Series LF25AUB-Z3
 Series LF25AUB-Z3
 Series LF25AUB-Z3

Installation Instructions • Instrucciones de instalación • Instruccions d'instal·lació

IS-25AUB

WARNING

You are required to thoroughly read all installation instructions and product safety information before beginning the installation of this product. FAILURE TO COMPLY WITH PROPER INSTALLATION AND MAINTENANCE INSTRUCTIONS COULD RESULT IN PRODUCT FAILURE WHICH CAN CAUSE PROPERTY DAMAGE, PERSONAL INJURY AND/OR DEATH.

Watts is not responsible for damages resulting from improper installation and/or maintenance.

Local building or plumbing codes may require modifications to the information provided. You are required to consult the local building and plumbing codes prior to installation. If this information is not consistent with local building or plumbing codes, the local codes should be followed.

Installation Instructions

1. The valve should be installed by a licensed contractor in accordance with local codes and ordinances.
2. This valve should be installed where it is accessible with sufficient clearance for cleaning, service, or adjustment.
3. Before installing the valve, be sure that the pipe ends are reamed and threads are cut to size. For valves with Quick-Connect tailpieces refer to "Quick-Connect Installation" instructions below.
4. Flush the lines to remove all loose scale, dirt and other foreign matter that can damage or clog the valve.
5. Install the regulator with the arrow on the body pointing in the direction of the flow.
6. Regulator may be installed vertically or horizontally (upright or inverted).
7. Start Up — Open cold water supply then hot water supply. Inspect for leaks.

NOTICE

To tighten valve, first hand tighten followed by 1/4-1 turn, using wrench.

The valve should be inspected annually to assure maximum life and performance.

Product is for interior or exterior applications. Product should not be buried directly in the ground. For exterior applications where the valve will be situated in a vault or pit or be in contact with the ground, the valve should be installed in a meter box/vault, accessible for repair and adjustment, per local code.