



# ALL-FLASH® NO-CALK® ROOF FLASHINGS TECHNICAL SPECIFICATION

Job Name _____	Item # _____
Location _____	
Engineer _____	Contractor _____
PO # _____	Tag _____
Representative _____	

## SPECIFICATIONS

Oatey All-Flash No-Calk Roof Flashings can be used in commercial and residential applications where a watertight seal for roof penetrations around the plumbing vent pipe is required. Oatey Roof Flashings are IAPMO PS 64 certified and engineered to meet the following ASTM standards.

## STANDARDS

- ASTM D3274-09
- ASTM D660-93
- ASTM D661-93
- ASTM D3274-09

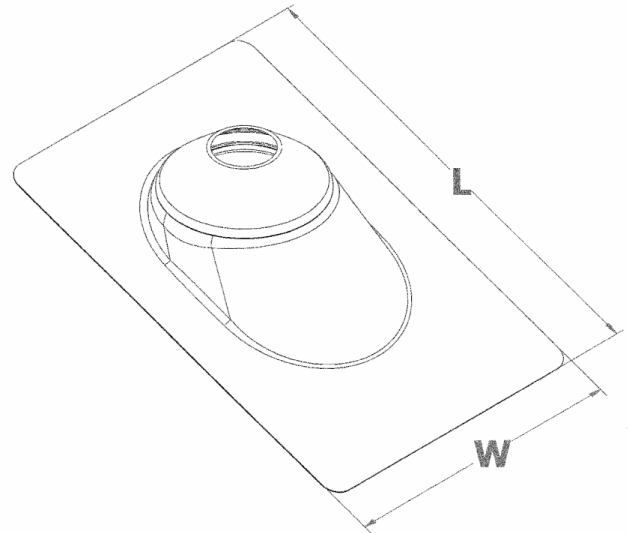
## APPROVALS AND LISTINGS



## DESCRIPTION

All dimensions in inches.

- Plastic Base Roof Flashing slides over DWV pipe for pitch to 45°.
- Metal Base Roof Flashing slides over DWV pipe for pitch to 40°.
- Patented All-Flash collar has tear-away ring allowing flashing to seal different pipe diameters.
- Plastic base flashings are made of rigid thermoplastic.
- Aluminum base flashings are made of .032 stamped aluminum.
- Galvanized base flashings are made of 24 gauge galvanized steel.
- Non-fading sealing collar
- Approved for Type B installations.
- Not for hot-mopped or built-up roofs.
- Do not use paint or petroleum based products on plastic bases or rubber collars.



Access BIM/Revit content through [www.oatey.com](http://www.oatey.com)



# ALL-FLASH® NO-CALK® ROOF FLASHINGS TECHNICAL SPECIFICATION

## PRODUCT SELECTOR

ALL-FLASH® NO-CALK® ROOF FLASHINGS						
✓	Product Number	Description	Length (L)	Width (W)	Pack	Carton Weight
	11919	1-½" – 3" Thermoplastic No-Calk Roof Flashing	15"	11-¼"	12	9 lbs.
	11920	3" - 4" Thermoplastic No-Calk Roof Flashing	16"	12"	12	9 lbs.
	11937	1-½" – 3" Thermoplastic No-Calk Roof Flashing	15"	11-¼"	6	4 lbs.
	11938	3" - 4" Thermoplastic No-Calk Roof Flashing	16"	12"	6	5 lbs.
	12403	1-½" – 3" Copper No-Calk Roof Flashing	14-½"	11"	12	10 lbs.
	12404	3" - 4" Copper No-Calk Roof Flashing	15-½"	12"	12	12 lbs.
	12945	1-½" – 3" Aluminum No-Calk Roof Flashing	14-½"	11"	12	7 lbs.
	12956	3" - 4" Aluminum No-Calk Roof Flashing	15-½"	12"	12	13 lbs.
	12976	1-½" – 3" Aluminum No-Calk Roof Flashing	14-½"	11"	6	4 lbs.
	12977	3" - 4" Aluminum No-Calk Roof Flashing	15-½"	12"	6	7 lbs.
	11871	1-½" – 3" Galvanized No-Calk Roof Flashing	14-½"	11"	12	17 lbs.
	11877	3" – 4" Galvanized No-Calk Roof Flashing	15-½"	12"	12	23 lbs.
	11815	1-½" – 3" Galvanized No-Calk Roof Flashing	14-½"	11"	6	4 lbs.
	11816	3" – 4" Galvanized No-Calk Roof Flashing	15-½"	12"	6	12 lbs.
	11957	1-½" – 3" Large Base Galvanized No-Calk Roof Flashing	18"	18"	12	23 lbs.
	11958	3" – 4" Large Base Galvanized No-Calk Roof Flashing	18"	18"	12	26 lbs.
	12974	1-½" – 3" Large Base Aluminum No-Calk Roof Flashing	18"	18"	12	20 lbs.
	12975	3" - 4" Large Base Aluminum No-Calk Roof Flashing	18"	18"	12	20 lbs.

Data is subject to manufacturing tolerances.

Access BIM/Revit content through [www.oatey.com](http://www.oatey.com)