

Engineering Specification

Job Name _____

Contractor _____

Job Location _____

Approval _____

Engineer _____

Contractor's P.O. No. _____

Approval _____

Representative _____

LEAD FREE*

Series LF70A Hot Water Extender Tempering Valves

Sizes: 1/2" - 3/4"

You can meet various installation requirements with the Watts LF70A Series Hot Water Extender Tempering Valves. They are available in 1/2" and 3/4" sizes, with sweat or threaded connections. Temperature range 120°F to 160°F (49°C to 71°C).

The hydraulically-operated thermostat opens a spring loaded check in the cold water inlet allowing cold water to mix with the hot water.

They have unusually high capacity for their size. For example, the 3/4" LF70A-T used for smaller domestic and residential requirements, passes over 10 gpm (38 lpm) with a 10psi (69 kPa) pressure drop.

Maintenance is simple too, as the thermostat is easily removed and replaceable as a unit. Valve bodies are of Lead Free* brass construction that is recognized and required to resist corrosive domestic hot water conditions. The LF70A features Lead Free* construction to comply with Lead Free* installation requirements.

No. LF70A-F furnished in 1/2" and 3/4" size with sweat connections.

No. LF70A-T in 1/2" and 3/4" threaded connections.

Series LFL70A

Identical to above except furnished for low temperature range applications between 100°F to 130°F (38°C to 54°C).

Features

- Lead Free* brass valve bodies
- Simple maintenance thermostat assembly is easily removed and replaceable as a unit
- "FINGER TIP" Dial adjustment Cap
- Sweat or threaded connections
- Stainless steel springs

⚠ WARNING

Watts Hot Water Extender Tempering Valves cannot be used for tempering water temperature at fixtures. Severe bodily injury (i.e., scalding or chilling) and/or death may result depending upon system water pressure changes and/or supply water temperature changes. ASSE standard 1016 listed devices such as Watts Models LFMMV, LFL111 or LFUSG should be used at fixtures to prevent possible injury.

The Watts Hot Water Tempering Valves are designed to be installed at or near the boiler or water heater. They are not designed to compensate for system pressure fluctuations and should not be used where ASSE standard 1016 devices are required. These Watts valves should never be used to provide "anti-scald" or "anti-chill" service.

For...Small Domestic Water Supply Systems recommended for Tankless Heater, Water Heater and Solar Installations in Lead Free applications*



No. LF70A-F
Sweat connections



No. LF70A-T
Threaded Connections

MINIMUM FLOW REQUIREMENTS TO MAINTAIN SET TEMPERATURE FOR LF70A SERIES

Valve Size	gpm	lpm
1/2" and 3/4"	2	8

Temperature - Pressure

Max. Temperature: 210°F (99°C)

Max. Pressure: 150psi (10.3 bar)

NOTICE

The information contained herein is not intended to replace the full product installation and safety information available or the experience of a trained product installer. You are required to thoroughly read all installation instructions and product safety information before beginning the installation of this product.

NOTICE

Inquire with governing authorities for local installation requirements

*The wetted surface of this product contacted by consumable water contains less than 0.25% of lead by weight.

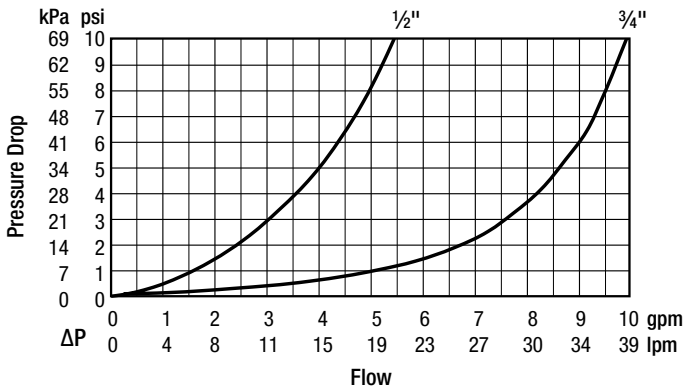
Watts product specifications in U.S. customary units and metric are approximate and are provided for reference only. For precise measurements, please contact Watts Technical Service. Watts reserves the right to change or modify product design, construction, specifications, or materials without prior notice and without incurring any obligation to make such changes and modifications on Watts products previously or subsequently sold.

Standards

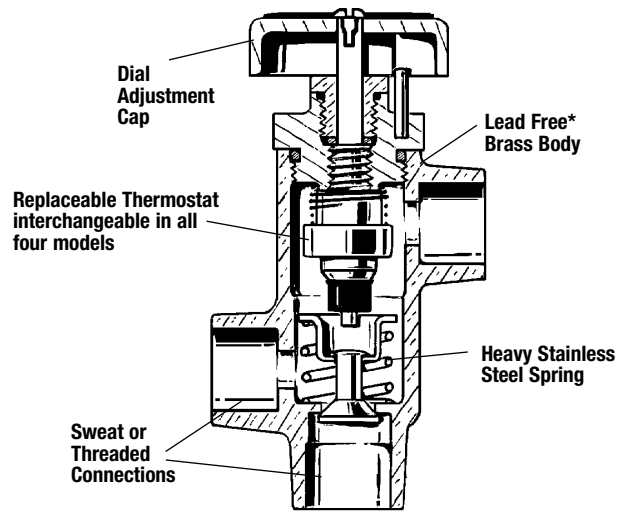
Listing: NSF 372



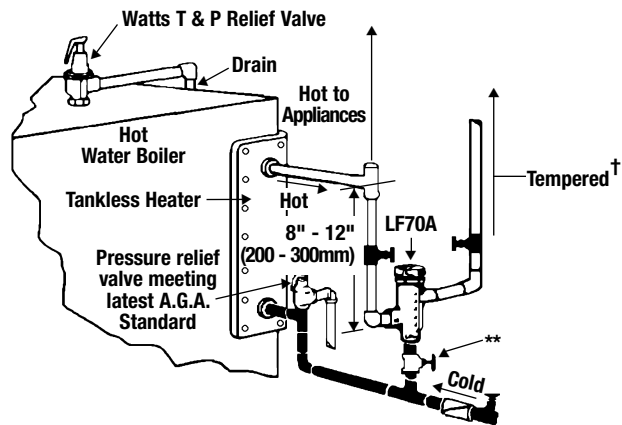
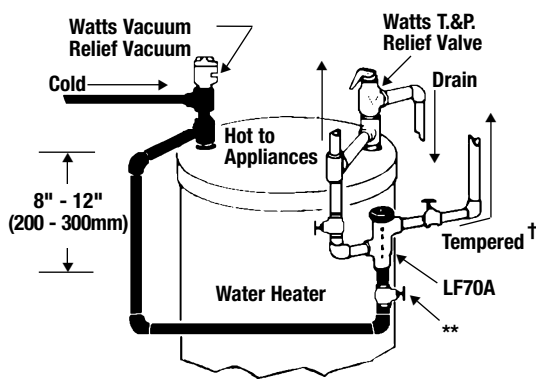
Capacity



Basic Construction



Recommended Installation



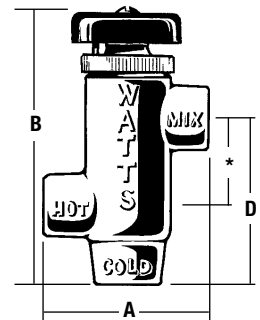
** Balancing valve should be installed in cold water line to hot water extender tempering valve, as shown, to help compensate for pressure drop through heater.

† Note: Valves listed to ASSE Standard 1016 such as Watts model LFMMV, LFL111 or LFUSG should be used at fixtures to prevent possible injury.

Watts Check Valve

Dimensions – Weight

MODEL	SIZE	CONNECTION	DIMENSIONS								WEIGHT	
			A		B		D		*		lbs.	kg
	in.		in.	mm	in.	mm	in.	mm	in.	mm		
LF70A-F, LFL70A-F	1/2	Sweat	2 1/32	52	3 11/16	94	2 3/16	56	1 5/16	24	3/4	.3
LF70A-T, LFL70A-T	1/2	Threaded	2 7/16	62	3 7/8	98	2 21/32	67	1 5/16	24	1	.5
LF70A, LFL70A	3/4	Sweat	2 3/4	69	4 1/8	105	2 27/32	72	1 3/32	28	1	.5
LF70A-T, LFL70A-T	3/4	Threaded	2 3/4	69	4 1/8	105	2 27/32	72	1 3/32	28	1 1/4	.6



CAUTION

NEED FOR PERIODIC INSPECTION

Periodic inspection by a licensed contractor is recommended. Corrosive water conditions, temperatures over 210°F (99°C), unauthorized adjustments or repair could render the valve ineffective for service intended. Regular checking and cleaning of thermostat assembly helps to assure maximum life and proper product function. Frequency of cleaning depends upon local water conditions. *See Warning on reverse side.



USA: T: (978) 689-6066 • F: (978) 975-8350 • Watts.com

Canada: T: (905) 332-4090 • F: (905) 332-7068 • Watts.ca

Latin America: T: (52) 81-1001-8600 • Watts.com