

For Residential and Commercial Applications

Job Name _____
 Job Location _____
 Engineer _____
 Approval _____

Contractor _____
 Approval _____
 Contractor's P.O. No. _____
 Representative _____

LEAD FREE*
Series LF301
Dielectric Unions

Sizes: 1/2" – 2" (15 – 50mm) Female x Solder

Series LF301 dielectric unions feature a female iron pipe thread to solder connection. These unions are designed between pipe made from dissimilar metals to prevent accelerated corrosion and deterioration in the piping system due to galvanic and stray current. The LF301 features Lead Free* construction to comply with Lead Free* installation requirements.

Features

- Female iron pipe thread to solder connection
- Designed and manufactured to the highest quality standards
- Rated to 250°F (121°C) at 250psi (17.2 bar)

Specifications

The dielectric union shall be constructed using Lead Free* materials. Lead Free* dielectric unions shall comply with state codes and standards, where applicable, requiring reduced lead content. The dielectric union shall be a Watts Series LF301.

Pressure/Temperature

Maximum Operating Pressure: 250psi WOG (17.2 bar)
 Maximum Operating Temperature
 EPDM Gasket: -20°F to 250°F (-7°C to 121°C)

Approvals

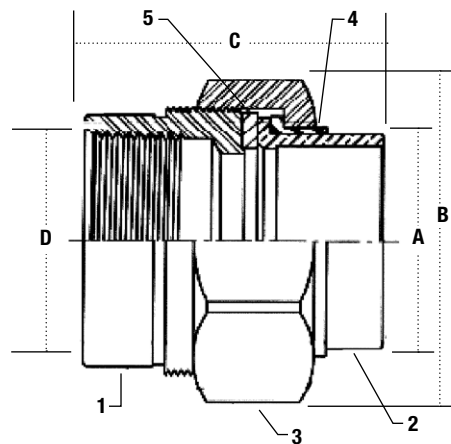
Threads: Comply to ANSI B.1.20.1
 Solder Joint: Complies to ANSI B 16.18

Materials

NO.	PART	MATERIAL
1	Body	Forged Steel A105
2	Tailpiece	Lead Free* Forged Brass
3	Union Nut	Forged Steel A105
4	Insulator	Plastic
5	Gasket	EPDM



LF301



Dimensions – Weights

SIZE (DN)		DIMENSIONS				WEIGHTS			
in.	mm	A in.	mm	B in.	mm	D	oz.	gm.	
1/2"	15	5/8	16	1 5/8	41	1 13/16	46	1/2 NPT	6 170
3/4"	20	7/8	22	1 7/8	47	2 1/16	52	3/4 NPT	6.7 190
1"	25	1 1/8	29	2 1/8	54	2 1/4	62	1 NPT	9.3 264
1 1/4"	32	1 3/8	35	2 9/16	65	2 7/16	63	1 1/4 NPT	13.3 377
1 1/2"	40	1 5/8	41	2 15/16	75	2 1/2	63	1 1/2 NPT	13.3 377
2"	50	2 1/8	54	3 3/4	96	2 15/16	75	2 NPT	34.7 984

*The wetted surface of this product contacted by consumable water contains less than one quarter of one percent (0.25%) of lead by weight.

Watts product specifications in U.S. customary units and metric are approximate and are provided for reference only. For precise measurements, please contact Watts Technical Service. Watts reserves the right to change or modify product design, construction, specifications, or materials without prior notice and without incurring any obligation to make such changes and modifications on Watts products previously or subsequently sold.



USA: 815 Chestnut St., No. Andover, MA 01845-6098; www.watts.com
 Canada: 5435 North Service Rd., Burlington, ONT. L7L 5H7; www.wattscanada.ca

