

Air Bear® Right Angle

Whole-House Media Air Cleaner



Features

- Suitable for use with all types of furnaces and central forced air unitary HVAC equipment.
- Quick and easy installation, mounts directly to HVAC equipment.
- Sliding air inlet flange adjustable to simplify duct connection.
- Reduces floor space requirements for installations that require a 90° duct adapter.
- Floor space saving makes the Right Angle ideal for basement and closet based HVAC system placements.
- Cabinet door can be moved to either side allowing both left-hand and right-hand system placement.
- Rugged heavy duty construction including premium powder coat paint provide for long life in challenging environments.
- TRION Right Angle Media Air Cleaners deploy 20" x 25" x 5" Air Bear Filters manufactured with electrostatically charge synthetic media available in 3 efficiency levels being: MERV 13 or MERV 11 or MERV 8.
- For odor absorption, Air Bear Black MERV 10 replacement filters are available which additionally include a 2nd filter layer of high performance carbon.
- Also available in 22 gauge galvanized models without powder coat paint

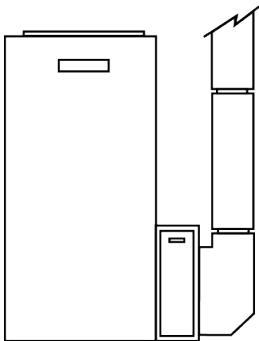
Performance

- TRION Air Bear deep filters help mitigate the usual reduced airflow when using high MERV filters.
- Tested in accordance with ANSI/ASHRAE 52.2-2012.
- Rated airflow of up to 2000 CFM.
- TRION Air Bear deep media filters capture & hold pollutants inside the filter protecting you and your home.
- TRION's non-woven 5" deep pleated MERV 13 Air Bear filters are capable of trapping COVID-19 particles smaller than 100 nanometers.
- The electrostatically charged synthetic filter medial provides superior efficiency with minimal pressure drop.

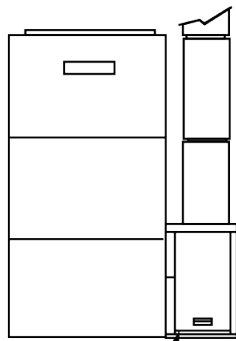
Warranty

- Lifetime limited warranty on cabinet.

Typical Installation



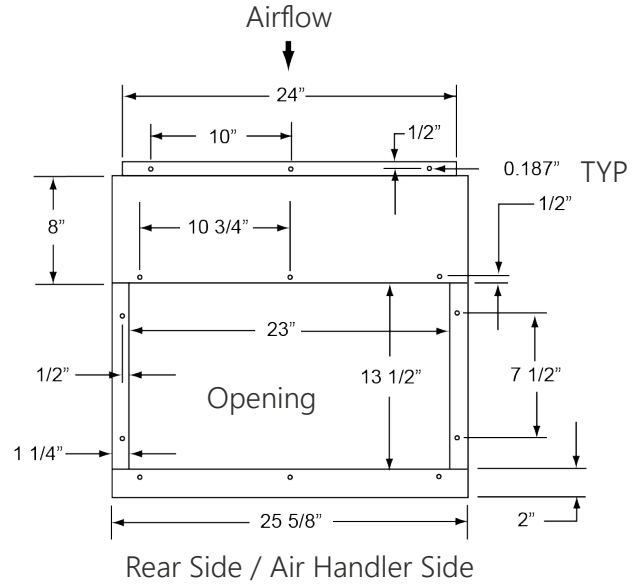
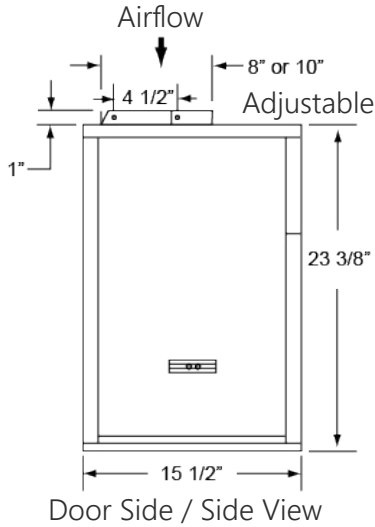
Air Bear Right Angle Installation



Space Saver
Smaller Footprint



Units not for commercial use



Model Family By Filter Efficiency	Air Bear Right Angle Supreme		
	MERV 8	MERV 11	MERV 13
Steel Thickness	22 Gauge	22 Gauge	22 Gauge
Part # (White Powder Coat)	447380-010	447380-510	447380-0010
Part # (Grey Powder Coat)	447380-011	447380-511	447380-600
Part # (Galvanized, No Paint)	472380-010	472380-510	472380-0010
Rated Airflow	Up to 2000 CFM		
Media Filter Size	20" H x 25" W x 5" D (Nominal Sizing)		
Air Bear Media Filter Part # (3-Pack)	255649-102	259112-102	266649-102
Alternative Filter Air Bear Black Media Filter Part # 2-Pack	288649-202 Dual Layer Filter MERV 10 with Carbon for Odor Absorption		
Media Listing	UL Classified (See Complete Marking on the Filter)		
Universal Application	Supports both Right/Left-Handed Installation		

Contact Us

customerservice@trioniaq.com

trioniaq.com

(tel) 800-884-0002 (fax) 800-458-2379

TRION IAQ

101 McNeill Road

Sanford, NC 27330

Indoor Air Quality Since 1947 | ISO 9001 Certified

Proudly designed, engineered and manufactured in the USA*

*Manufactured with domestic and foreign components

Industry Memberships: