

Dimensional Document

Viega ProPress® Fittings*

*Viega ProPress 2½" to 4" formerly ProPress XL-C

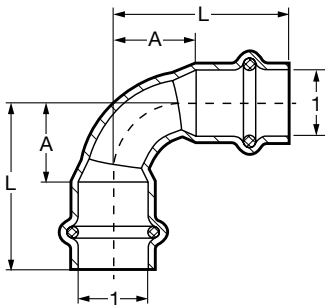


This document is subject to updates. For the most current Viega technical literature please visit www.viega.us.



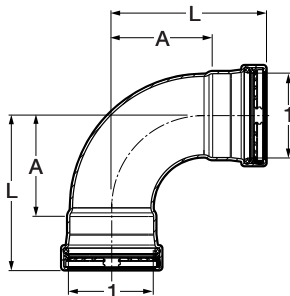
Viega products are designed to be installed by licensed and trained plumbing and mechanical professionals who are familiar with Viega products and their installation. **Installation by non-professionals may void Viega LLC's warranty.**

Viega ProPress 90° Elbow Copper P x P - Model 2916

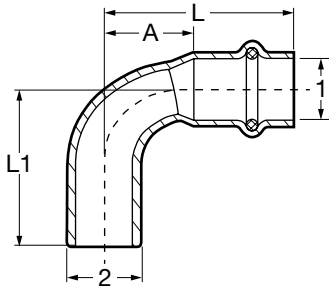


Part No.	Size (in)	A (in)	L (in)
	1 1		
77317	½ x ½	0.75	1.50
77022	¾ x ¾	0.76	1.67
77027	1 x 1	1.28	2.19
77032	1¼ x 1¼	1.28	2.31
77037	1½ x 1½	1.29	2.72
77042	2 x 2	2.16	3.74

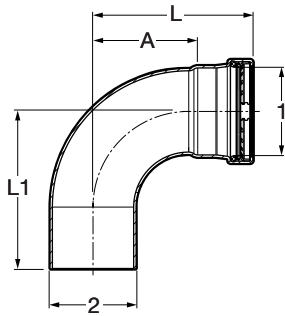
Viega ProPress 90° Elbow P x P - Model 0916XL



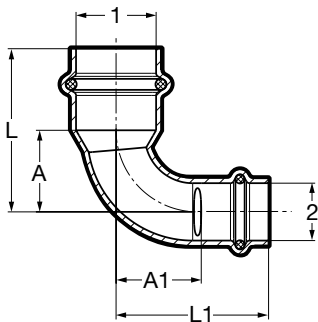
Part No.	Size (in)	A (in)	L (in)
	1 1		
20623	2½ x 2½	3.19	4.88
20628	3 x 3	3.76	5.73
20633	4 x 4	4.90	7.26

Viega ProPress 90° Street Elbow Copper P x FTG - Model 2916.1


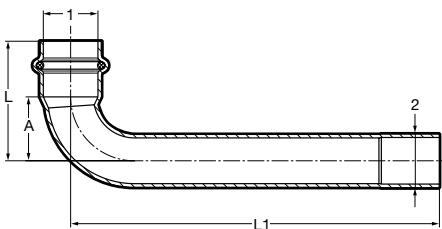
Part No.	Size (in)		A (in)	L (in)	L1 (in)
	1	2			
77347	½	½	0.75	1.50	1.54
77052	¾	¾	0.76	1.67	1.83
77057	1	1	1.28	2.19	2.27
77062	1¼	1¼	1.28	2.31	2.48
77067	1½	1½	1.29	2.72	2.80
77072	2	2	2.16	3.74	3.78

Viega ProPress 90° Street Elbow P x FTG - Model 0916.1XL


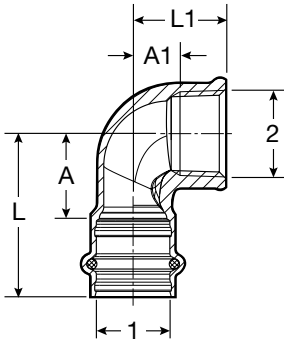
Part No.	Size (in)		A (in)	L (in)	L1 (in)
	1	2			
20638	2½	2½	3.19	4.88	4.80
20643	3	3	3.76	5.73	5.63
20648	4	4	4.90	7.26	7.13

Viega ProPress 90° Reducing Elbow Copper P x P - Model 2916.3


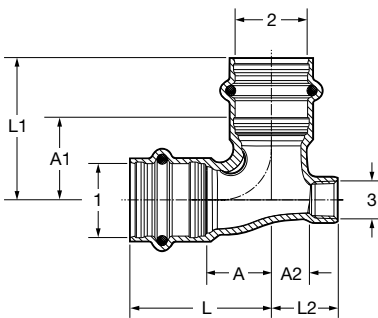
Part No.	Size (in)		A (in)	A1 (in)	L (in)	L1 (in)
	1	2				
77325	¾	½	0.91	0.94	1.81	1.69
77330	1	¾	1.20	1.30	2.11	2.21

Viega ProPress 90° Extended Street Elbow Copper P x FTG - Model 2947


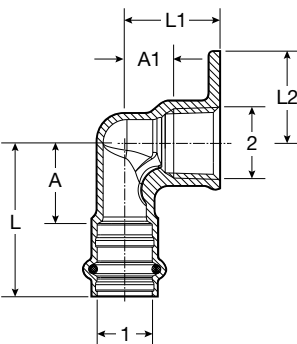
Part No.	Size (in)		A (in)	L (in)	L1 (in)
	1	2			
77353	¾	¾	1.02	1.93	5.98

Viega ProPress 90° Elbow Zero Lead Bronze P x FPT - Model 2914.2ZL


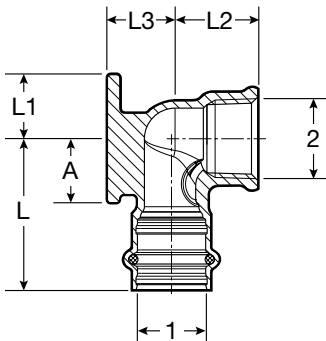
Part No.	Size (in)		A (in)	A1 (in)	L (in)	L1 (in)
	1	2				
79520	½ x ⅜	FPT	0.94	0.42	1.77	0.83
79525	½ x ½	FPT	0.94	0.57	1.77	1.10
79530	½ x ¾	FPT	1.06	0.51	1.89	1.06
79535	¾ x ½	FPT	1.06	0.65	1.97	1.18
79540	¾ x ¾	FPT	1.06	0.57	1.97	1.12
79545	1 x ½	FPT	1.06	0.72	1.97	1.26
79550	1 x 1	FPT	1.34	0.76	2.24	1.42
79560	1¼ x 1¼	FPT	1.54	0.89	2.56	1.57
79565	1½ x 1½	FPT	1.69	1.05	3.11	1.73
79570	2 x 2	FPT	2.17	1.35	3.74	2.05

Viega ProPress Vent Elbow Zero Lead Bronze P x P x FPT - Model 2917.3ZL


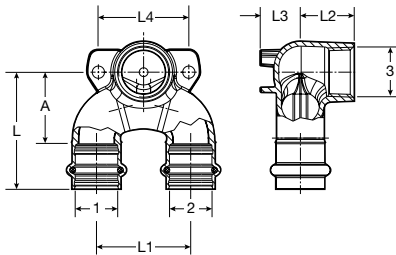
Part No.	Size (in)			A (in)	A1 (in)	A2 (in)	L (in)	L1 (in)	L2 (in)
	1	2	3						
79635	½ x ½ x ⅛	FPT	0.67	0.67	0.44	1.50	1.50	0.71	
79640	¾ x ¾ x ⅛	FPT	0.83	0.83	0.54	1.73	1.73	0.81	

Viega ProPress 90° Hi Ear Elbow Zero Lead Bronze P x FPT - Model 2925.2ZL


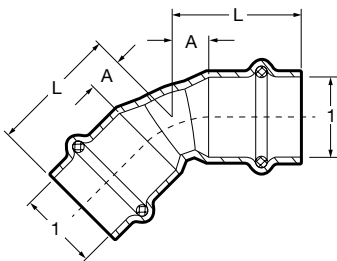
Part No.	Size (in)		A (in)	A1 (in)	L (in)	L1 (in)	L2 (in)
	1	2					
79205	½ x ½	FPT	0.94	0.57	1.77	1.10	1.07

Viega ProPress 90° Drop Ear Elbow Zero Lead Bronze P X FPT - Model 2925.5ZL


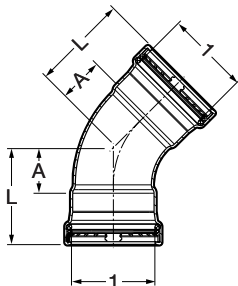
Part No.	Size (in)		A (in)	L (in)	L1 (in)	L2 (in)	L3 (in)
	1	2					
79185	½ x ¾	FPT	0.94	1.77	0.74	0.83	0.67
79190	½ x ½	FPT	0.94	1.77	0.74	1.10	0.67
79195	¾ x ¾	FPT	1.06	1.97	0.83	1.12	0.83

Viega ProPress Double Drop Elbow Zero Lead Bronze P x P x FPT - Model 2928.7ZL


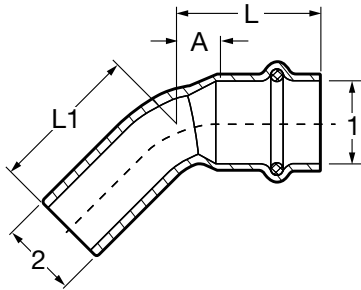
Part No.	Size (in)			A (in)	L (in)	L1 (in)	L2 (in)	L3 (in)	L4 (in)
	1	2	3						
78800	½ x ½ x ½	FNPT	1.34	2.17	1.97	1.10	0.67	1.57	
78802	¾ x ¾ x ½	FNPT	1.54	2.44	1.97	1.10	0.83	2.05	
78801	¾ x ¾ x ¾	FNPT	1.54	2.44	1.97	1.12	0.83	1.89	
78803	1 x 1 x ½	FNPT	1.77	2.68	2.36	1.10	0.87	2.52	

Viega ProPress 45° Elbow Copper P x P - Model 2926


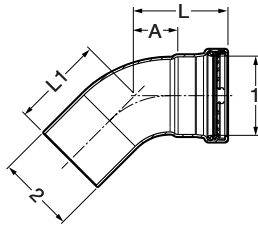
Part No.	Size (in)		A (in)	L (in)
	1	1		
77607	½ x ½		0.30	1.04
77023	¾ x ¾		0.36	1.26
77028	1 x 1		0.47	1.38
77033	1¼ x 1¼		0.58	1.61
77038	1½ x 1½		0.65	2.08
77043	2 x 2		0.86	2.44

Viega ProPress 45° P x P - Model 0926XL


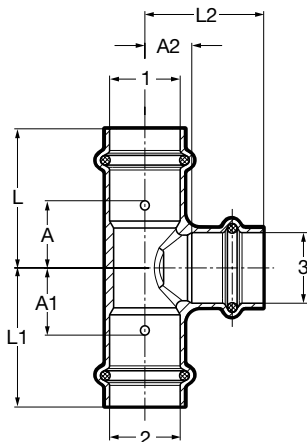
Part No.	Size (in)		A (in)	L (in)
	1	1		
20653	2½ x 2½		1.48	3.18
20658	3 x 3		1.73	3.70
20663	4 x 4		1.96	4.63

Viega ProPress 45° Street Elbow Copper P x FTG - Model 2926.1


Part No.	Size (in)		A (in)	L (in)	L1 (in)
	1	2			
77637	1/2	1/2	0.31	1.06	1.10
77053	3/4	3/4	0.36	1.26	1.30
77058	1	1	0.47	1.38	1.49
77063	1 1/4	1 1/4	0.58	1.61	1.67
77068	1 1/2	1 1/2	0.65	2.08	2.04
77073	2	2	0.86	2.44	2.54

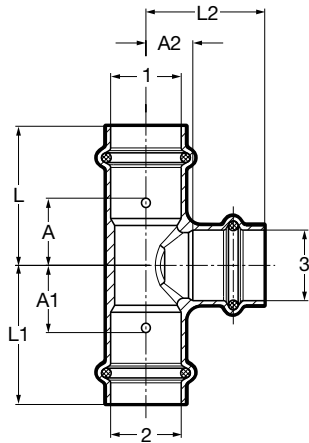
Viega ProPress 45° Street Elbow P x FTG - Model 0926.1XL


Part No.	Size (in)		A (in)	L (in)	L1 (in)
	1	2			
20668	2 1/2	2 1/2	1.48	3.18	3.10
20673	3	3	1.73	3.70	3.60
20678	4	4	2.23	4.59	4.45

Viega ProPress Tee Copper P x P x P - Model 2918


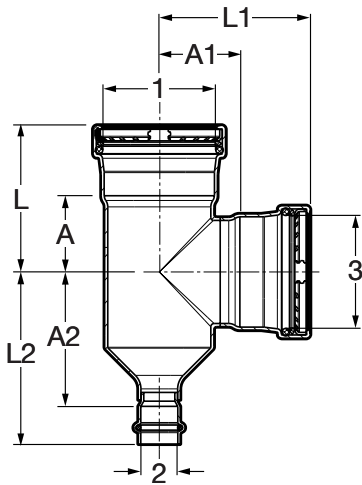
Part No.	Size (in)			A (in)	A1 (in)	A2 (in)	L (in)	L1 (in)	L2 (in)
	1	2	3						
77377	1/2	1/2	1/2	0.75	0.75	0.50	1.50	1.50	1.25
77382	1/2	1/2	3/4	0.91	0.91	0.59	1.65	1.65	1.50
15493	1/2	1/2	1	1.10	1.10	0.55	1.85	1.85	1.46
77387	3/4	3/4	3/4	0.85	0.85	0.59	1.75	1.75	1.50
77392	3/4	1/2	1/2	0.69	0.98	0.63	1.59	1.73	1.38
77397	3/4	1/2	3/4	0.85	1.14	0.59	1.75	1.89	1.50
77402	3/4	3/4	1/2	0.69	0.69	0.63	1.59	1.59	1.38
77407	3/4	3/4	1	0.97	0.97	0.63	1.87	1.87	1.54
77412	1	1	1	0.97	0.97	0.79	1.87	1.87	1.69
22263	1	1/2	3/4	0.85	1.24	0.75	1.76	1.99	1.66
94767	1	1/2	1	0.97	1.52	0.79	1.87	2.26	1.69
77417	1	3/4	1/2	0.69	0.89	0.79	1.59	1.79	1.54
77422	1	3/4	3/4	0.85	1.04	0.75	1.75	1.95	1.65
77427	1	3/4	1	0.97	1.18	0.78	1.87	2.07	1.69
77432	1	1	1/2	0.69	0.69	0.79	1.59	1.59	1.54
77437	1	1	3/4	0.85	0.85	0.75	1.75	1.75	1.65
15488	1	1	1 1/4	1.16	1.16	0.84	2.07	2.07	1.87
77442	1 1/4	1 1/4	1 1/4	1.02	1.02	0.86	2.05	2.05	1.89
22253	1 1/4	1/2	1 1/4	1.02	1.77	0.87	2.05	2.52	1.89
22243	1 1/4	3/4	1/2	0.64	1.13	0.93	1.68	2.03	1.68
22258	1 1/4	3/4	3/4	0.76	1.30	0.87	1.80	2.21	1.78
22268	1 1/4	3/4	1	0.88	1.40	0.91	1.91	2.31	1.82
22248	1 1/4	3/4	1 1/4	1.02	1.54	0.86	2.05	2.45	1.89
22238	1 1/4	1	1/2	0.64	0.91	0.93	1.68	1.82	1.68
94762	1 1/4	1	3/4	0.76	1.14	0.87	1.79	2.05	1.77

Continued on next page

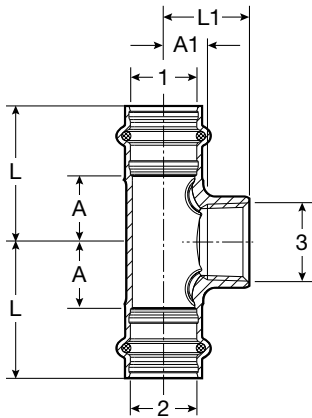
Viega ProPress Tee Copper P x P x P - Model 2918


Continued from previous page

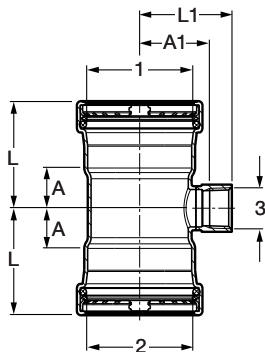
Part No.	Size (in)			A (in)	A1 (in)	A2 (in)	L (in)	L1 (in)	L2 (in)
	1	2	3						
14568	1¼	1	1	0.88	1.28	0.91	1.91	2.19	1.81
94757	1¼	1¼	½	0.65	0.65	0.93	1.67	1.67	1.67
77452	1¼	1¼	¾	0.77	0.77	0.89	1.79	1.79	1.77
77447	1¼	1¼	1	0.88	0.88	0.90	1.91	1.91	1.81
77457	1½	1½	1½	1.13	1.13	1.13	2.56	2.56	2.56
79660	1½	1	¾	0.67	1.39	1.16	2.17	2.44	2.05
15458	1½	1	1	0.74	1.54	1.06	2.17	2.44	1.97
15463	1½	1	1½	1.13	1.83	1.13	2.56	2.74	2.56
22233	1½	1¼	¾	0.67	1.08	1.15	2.09	2.11	2.05
15453	1½	1¼	1	0.74	1.29	1.18	2.17	2.32	2.09
15483	1½	1¼	1¼	0.86	1.33	1.13	2.28	2.36	2.17
15448	1½	1½	½	0.47	0.47	1.10	1.89	1.89	1.85
77462	1½	1½	¾	0.66	0.66	1.14	2.09	2.09	2.05
77467	1½	1½	1	0.74	0.74	1.18	2.17	2.17	2.09
77472	1½	1½	1¼	0.86	0.86	1.13	2.28	2.28	2.17
77477	2	2	2	1.37	1.37	1.37	2.95	2.95	2.95
15518	2	1¼	1¼	0.94	1.84	1.33	2.52	2.87	2.36
15513	2	1½	¾	0.70	1.25	1.38	2.28	2.68	2.28
15498	2	1½	1	0.82	1.45	1.38	2.40	2.87	2.28
15508	2	1½	1¼	0.94	1.55	1.49	2.52	2.97	2.52
15503	2	1½	1½	1.13	1.65	1.37	2.72	3.07	2.80
22228	2	1½	2	1.38	1.89	1.38	2.95	3.33	2.95
15538	2	2	½	0.54	0.54	1.30	2.13	2.13	2.05
94777	2	2	¾	0.79	0.79	1.26	2.37	2.37	2.17
94772	2	2	1	0.91	0.91	1.30	2.49	2.49	2.21
77487	2	2	1¼	1.04	1.04	1.37	2.62	2.62	2.40
77482	2	2	1½	1.13	1.13	1.37	2.72	2.72	2.80

Viega ProPress Tee P x P x P - Model 0918XL


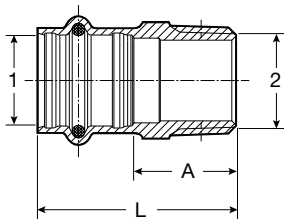
Part No.	Size			A (in)	A1 (in)	A2 (in)	L (in)	L1 (in)	L2 (in)
	1	2	3						
20684	2½	¾	2½	1.83	1.91	3.23	3.52	3.60	4.13
20689	2½	1	2½	1.83	1.91	3.25	3.52	3.60	4.15
20694	2½	1¼	2½	1.83	1.91	3.20	3.52	3.60	4.23
20699	2½	1½	2½	1.83	1.91	3.14	3.52	3.60	4.57
20704	2½	2	¾	1.04	1.61	1.59	2.74	2.52	3.17
20709	2½	2	1	1.04	1.77	1.65	2.74	2.67	3.24
22283	2½	2	1½	1.30	1.78	2.07	2.99	3.20	3.66
22278	2½	2	2	1.50	1.78	2.25	3.19	3.36	3.83
20714	2½	2	2½	1.83	1.91	2.41	3.52	3.60	4.00
22303	2½	2½	½	0.91	1.52	0.91	2.60	2.27	2.60
22298	2½	2½	¾	0.91	1.58	0.91	2.60	2.48	2.60
22293	2½	2½	1	1.04	1.77	1.04	2.74	2.68	2.74
22288	2½	2½	1¼	1.16	1.76	1.16	2.85	2.79	2.85
20803	2½	2½	1½	1.30	1.78	1.30	2.99	3.21	2.99
20688	2½	2½	2	1.54	1.75	1.54	3.23	3.34	3.23
20683	2½	2½	2½	1.83	1.94	1.83	3.52	3.63	3.52
20719	3	¾	3	2.07	2.15	3.82	4.04	4.11	4.72
20724	3	1	3	2.07	2.15	3.96	4.04	4.11	4.86
20729	3	1¼	3	2.07	2.15	3.83	4.04	4.11	4.86
20727	3	1½	3	2.07	2.15	3.71	4.04	4.11	5.14
20732	3	2	2	1.56	2.03	2.33	3.52	3.61	3.92
20734	3	2	2½	1.85	2.15	2.63	3.82	3.85	4.21
20739	3	2	3	2.07	2.15	2.84	4.04	4.11	4.43
20744	3	2½	2	1.56	2.03	2.07	3.52	3.61	3.76
20749	3	2½	2½	1.85	2.15	2.56	3.82	3.85	4.25
20754	3	2½	3	2.07	2.15	2.78	4.04	4.11	4.47
20759	3	3	½	0.93	1.76	0.93	2.89	2.50	2.89
22323	3	3	¾	0.93	1.80	0.93	2.89	2.71	2.89
22308	3	3	1	1.06	2.02	1.06	3.03	2.92	3.03
22313	3	3	1¼	1.18	2.01	1.18	3.15	3.04	3.15
20798	3	3	1½	1.32	2.03	1.32	3.29	3.45	3.29
20698	3	3	2	1.56	2.00	1.56	3.52	3.59	3.52
20703	3	3	2½	1.85	2.15	1.85	3.82	3.85	3.82
20693	3	3	3	2.07	2.21	2.07	4.04	4.18	4.04
20774	4	3	2	1.59	2.57	3.33	3.96	4.15	5.22
20784	4	3	3	2.11	2.66	3.84	4.47	4.63	5.81
20788	4	4"	½	1.08	2.24	1.08	3.45	2.99	3.45
20793	4	4	¾	1.08	2.32	1.08	3.45	3.22	3.45
20794	4	4	1	1.36	2.52	1.36	3.72	3.42	3.72
20795	4	4	1¼	1.36	2.50	1.36	3.72	3.54	3.72
20808	4	4	1½	1.36	2.52	1.36	3.72	3.95	3.72
20713	4	4	2	1.59	2.53	1.59	3.96	4.11	3.96
20718	4	4	2½	1.89	2.65	1.89	4.25	4.35	4.25
20723	4	4	3	2.11	2.69	2.11	4.47	4.65	4.47
20708	4	4	4	2.60	2.72	2.60	4.96	5.09	4.96

Viega ProPress Tee Zero Lead Bronze P x P x FPT - Model 2917.2ZL


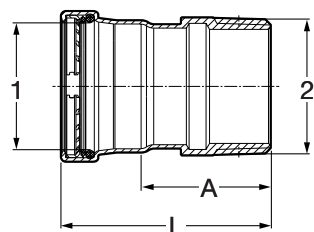
Part No.	Size (in)			A (in)	A1 (in)	L (in)	L1 (in)
	1	2	3				
79580	½	½	½	0.79	0.69	1.61	1.30
79585	¾	¾	¼	0.67	0.79	1.57	1.18
79590	¾	¾	½	0.79	0.88	1.69	1.42
79595	¾	¾	¾	0.91	0.59	1.81	1.14
79760	1	1	½	0.79	1.04	1.69	1.57
79765	1	1	¾	0.91	1.06	1.81	1.61
79770	1¼	1¼	½	0.83	1.16	1.85	1.69
79775	1¼	1¼	¾	0.95	1.18	1.97	1.73
79780	1½	1½	½	0.87	1.24	2.28	1.77
79785	1½	1½	¾	0.94	1.30	2.36	1.85
79790	2	2	½	0.98	1.59	2.56	2.13
79795	2	2	¾	1.06	1.65	2.64	2.20

Viega ProPress Tee P x P x FPT - Model 0917.2XL


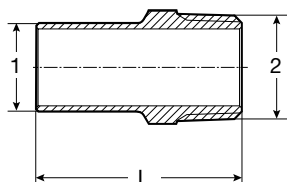
Part No.	Size			A (in)	A1 (in)	L (in)	L1 (in)
	1	2	3				
20883	2½	2½	¾	1.02	1.78	2.72	2.34
20878	2½	2½	2	1.54	1.90	3.23	2.60
20893	3	3	¾	1.04	2.03	3.01	2.59
20888	3	3	2	1.56	2.16	3.52	2.85
20873	4	4	¾	1.08	2.53	3.34	3.09
20868	4	4	2	1.59	2.69	3.96	3.38

Viega ProPress Adapter Zero Lead Bronze P x MPT - Model 2911ZL


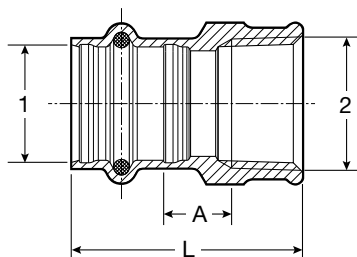
Part No.	Size (in)		A (in)	L (in)
	1	2		
79210	½	¾	0.77	1.59
79215	½	½	0.89	1.71
79220	½	¾	1.00	1.83
79225	¾	½	1.02	1.93
79230	¾	¾	1.02	1.93
79235	¾	1	1.18	2.09
79240	1	¾	1.18	2.09
79245	1	1	1.26	2.17
79250	1	1¼	1.54	2.44
79255	1¼	1	1.22	2.24
79260	1¼	1¼	1.34	2.36
79265	1¼	1½	1.48	2.50
79270	1½	1¼	1.34	2.76
79275	1½	1½	1.28	2.70
79280	1½	2	1.65	3.07
79285	2	1½	1.54	3.11
79290	2	2	1.50	3.07

Viega ProPress Adapter P x MPT - Model 0911XL


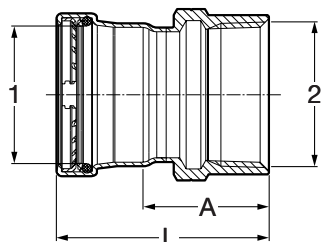
Part No.	Size (in)		A (in)	L (in)
	1	2		
20823	2½	2½ MPT	2.76	4.45
20828	3	3 MPT	2.84	4.80
20838	4	4 MPT	3.10	5.46

Viega ProPress Adapter Zero Lead Bronze FTG x MPT - Model 2911.1ZL


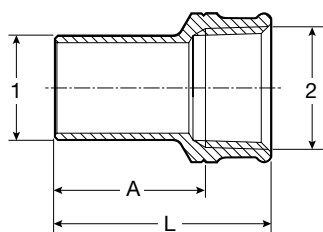
Part No.	Size (in)		L (in)
	1	2	
79375	½	¾ MPT	1.75
79380	½	½ MPT	1.95
79385	½	¾ MPT	2.05
79390	¾	½ MPT	1.93
79395	¾	¾ MPT	2.05
79400	1	¾ MPT	2.05
79405	1	1 MPT	2.22
79410	1¼	1¼ MPT	2.54
79415	1½	1½ MPT	2.89
79420	2	2 MPT	3.33

Viega ProPress Adapter Zero Lead Bronze P x FPT - Model 2912ZL


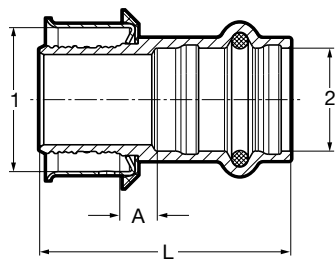
Part No.	Size (in)		A (in)	L (in)
	1	2		
79295	½	¾ FPT	0.19	1.42
79300	½	½ FPT	0.25	1.61
79305	½	¾ FPT	0.27	1.65
79310	¾	½ FPT	0.33	1.77
79315	¾	¾ FPT	0.35	1.81
79320	1	½ FPT	0.41	1.85
79325	1	¾ FPT	0.39	1.85
79330	1	1 FPT	0.44	2.01
79335	1	1¼ FPT	0.50	2.09
79340	1¼	½ FPT	0.37	1.93
79345	1¼	1 FPT	0.24	1.93
79350	1¼	1¼ FPT	0.34	2.05
79355	1¼	1½ FPT	0.42	2.13
79360	1½	1¼ FPT	0.26	2.36
79365	1½	1½ FPT	0.34	2.44
79370	2	2 FPT	0.41	2.68

Viega ProPress Adapter P x FPT - Model 0912XL


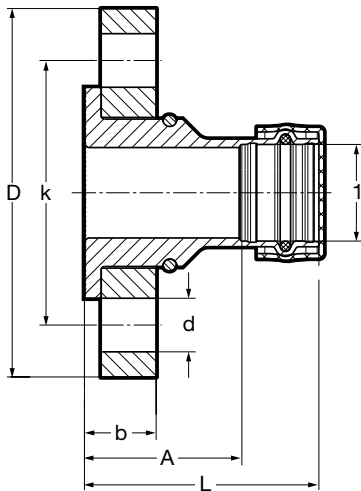
Part No.	Size (in)		A (in)	L (in)
	1	2		
20819	2½ x 2½	FPT	1.53	4.15
20829	3 x 3	FPT	1.84	4.82
20839	4 x 4	FPT	2.09	5.55

Viega ProPress Adapter Zero Lead Bronze FTG x FPT - Model 2912.1ZL


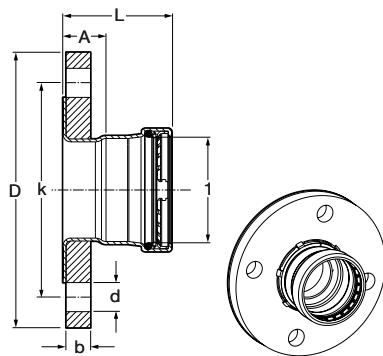
Part No.	Size (in)		A (in)	L (in)
	1	2		
79425	½ x ⅜	FPT	1.10	1.54
79430	½ x ½	FPT	1.22	1.75
79435	½ x ¾	FPT	1.30	1.83
79440	¾ x ½	FPT	1.26	1.79
79445	¾ x ¾	FPT	1.28	1.83
79455	1 x ½	FPT	1.35	1.99
79450	1 x 1	FPT	1.33	1.99
79460	1¼ x ½	FPT	1.65	2.19
79465	1¼ x 1¼	FPT	1.50	2.19
79470	1½ x 1½	FPT	1.88	2.56
79475	2 x 2	FPT	2.13	2.95

Viega PEX Press Adapter Zero Lead Bronze P x P - Model 2813PZL


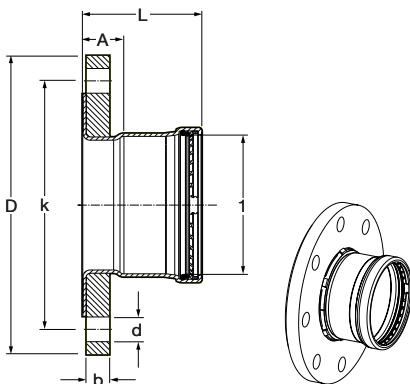
Part No.	Size (in)		A (in)	L (in)
	1	2		
99620	½ x ½		0.29	1.61
99626	½ x ¾		0.43	1.83
99630	¾ x ½		0.23	1.56
99640	¾ x ¾		0.33	1.73
99645	1 x ¾		0.35	1.87
99660	1 x 1		0.45	1.97
99665	1¼ x 1		0.49	2.26
99670	1¼ x 1¼		0.49	2.38
66675	1½ x 1		0.59	2.36
99680	1½ x 1½		0.59	2.87
99685	2 x 1		0.73	2.68
99690	2 x 2		0.59	3.21

Viega ProPress Adapter Flange Zero Lead Bronze P x Flange - Model 2959.5ZL


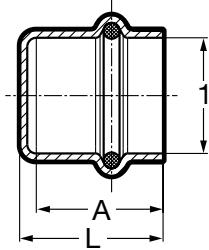
Part No.	Size (in)	A (in)	L (in)	b (in)	D (in)	k (in)	d (in)
1							
79680	1	1.85	2.76	0.84	4.33	3.11	0.63
79685	1¼	1.73	2.76	0.84	4.53	3.50	0.63
79690	1½	1.65	3.07	0.84	4.92	3.86	0.63
79695	2	2.09	3.66	0.84	5.91	4.76	0.75

Viega ProPress Adapter Flange P x Flange - Model 0959.5XL


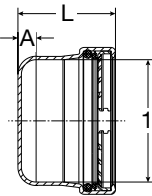
Part No.	Size (in)	A (in)	L (in)	b (in)	k (in)	D (in)	d (in)
1							
20853	2½	1.09	2.79	0.70	5.51	7.09	0.75
20858	3	1.20	3.17	0.79	5.98	7.48	0.75

Viega ProPress Adapter Flange P x Flange - Model 0959.5XL


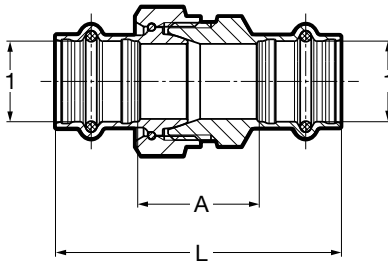
Part No.	Size (in)	A (in)	L (in)	b (in)	k (in)	D (in)	d (in)
1							
20863	4	1.29	3.66	0.86	7.52	9.06	0.75

Viega ProPress Cap Copper P - Model 2956


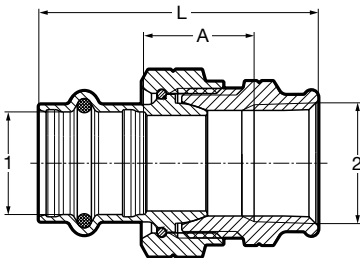
Part No.	Size (in)	A (in)	L (in)
	1		
77712	1/2	0.79	0.92
77717	3/4	0.94	1.07
77722	1	0.99	1.11
77727	1 1/4	1.20	1.32
77732	1 1/2	1.49	1.62
77737	2	1.69	1.81

Viega ProPress Cap P - Model 0956XL


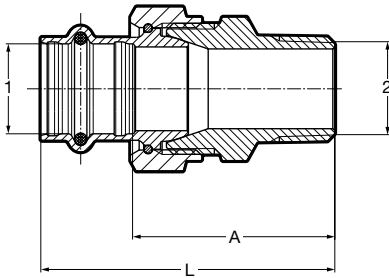
Part No.	Size	A (in)	L (in)
	1		
20833	2 1/2	0.39	2.11
20843	3	0.39	2.36
20848	4	0.39	2.76

Viega ProPress Union Zero Lead Bronze P x P - Model 2960ZL


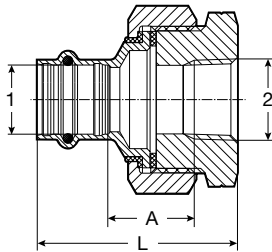
Part No.	Size (in)	A (in)	L (in)
	1		
79125	1/2	1.19	2.84
79130	3/4	1.34	3.15
79135	1	1.83	3.65
79140	1 1/4	1.64	3.69
79145	1 1/2	2.13	4.96
79150	2	2.07	5.22

Viega ProPress Union Zero Lead Bronze P x FPT - Model 2962ZL


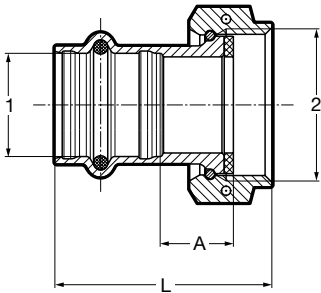
Part No.	Size (in)	A (in)	L (in)
	1 2		
79700	1/2 x 1/2 FPT	0.91	2.27
79705	3/4 x 3/4 FPT	0.96	2.42
79710	1 x 1 FPT	1.31	2.88
79715	1 1/4 x 1 1/4 FPT	1.27	2.97
79720	1 1/2 x 1 1/2 FPT	1.77	3.87
79725	2 x 2 FPT	1.65	3.92

Viega ProPress Union Zero Lead Bronze P x MPT - Model 2965ZL


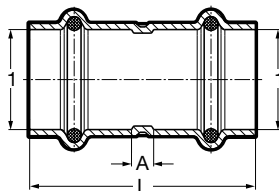
Part No.	Size (in)	A (in)	L (in)
	1 2		
79730	1/2 x 1/2 MPT	1.86	2.69
79735	3/4 x 3/4 MPT	2.00	2.90
79740	1 x 1 MPT	2.54	3.45
79745	1 1/4 x 1 1/4 MPT	2.49	3.52
79750	1 1/2 x 1 1/2 MPT	3.05	4.47
79755	2 x 2 MPT	2.99	4.57

Viega ProPress Dielectric Union Zero Lead Bronze P x FPT - Model 2967ZL


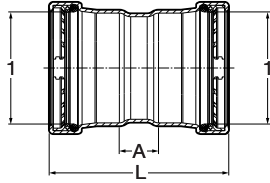
Part No.	Size (in)	A (in)	L (in)
	1 2		
79155	1/2 x 1/2 FPT	0.88	2.24
79160	3/4 x 3/4 FPT	1.11	2.57
79165	1 x 1 FPT	1.00	2.57
79170	1 1/4 x 1 1/4 FPT	0.97	2.68
79175	1 1/2 x 1 1/2 FPT	1.01	3.11
79180	2 x 2 FPT	1.26	3.53

Viega ProPress Tailpiece Zero Lead Bronze P x F BSP - Model 2957ZL


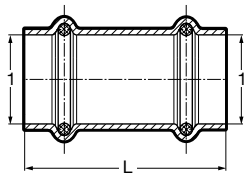
Part No.	Size (in)	A (in)	L (in)
	1 2		
79800	1/2 x 1 BSP	0.39	1.57
79805	3/4 x 1 BSP	0.63	1.87
79810	1 x 1 BSP	0.91	2.14
79815	1 x 1 1/4 BSP	0.73	2.04

Viega ProPress Coupling with Stop Copper P x P - Model 2915


Part No.	Size (in)	A (in)	L (in)
	1 1		
78047	1/2 x 1/2	0.12	1.61
78052	3/4 x 3/4	0.20	2.01
78057	1 x 1	0.16	1.97
78062	1 1/4 x 1 1/4	0.14	2.20
78067	1 1/2 x 1 1/2	0.14	2.99
78072	2 x 2	0.14	3.31

Viega ProPress Coupling with Stop P x P - Model 0915XL


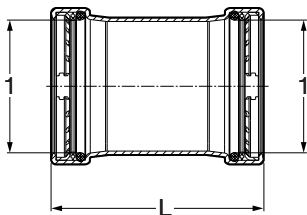
Part No.	Size (in)	A (in)	L (in)
	1 1		
20728	2½ x 2½	0.95	4.33
20733	3 x 3	0.98	4.92
20738	4 x 4	1.06	5.79

Viega ProPress Coupling No Stop Copper P x P - Model 2915.3


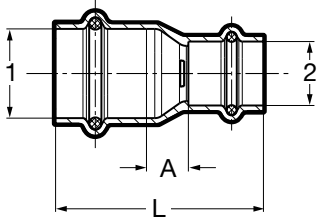
Part No.	Size (in)	L (in)
	1 1	
78172	½ x ½	1.61
78177	¾ x ¾	2.01
78182	1 x 1	1.97
78187	1¼ x 1¼	2.20
78192	1½ x 1½	2.99
78197	2 x 2	3.31

Viega ProPress Extended Coupling Copper P x P - Model 2915.5

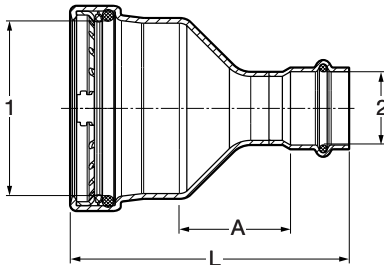

Part No.	Size (in)	L (in)
	1 1	
79005	½ x ½	2.99
79010	¾ x ¾	3.50
79015	1 x 1	3.74
79020	1¼ x 1¼	4.13
79025	1½ x 1½	4.72
79030	2 x 2	5.31

Viega ProPress Coupling No Stop P x P - Model 0915.5XL


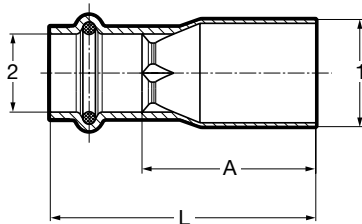
Part No.	Size (in)	L (in)
	1 1	
20743	2½ x 2½	4.33
20748	3 x 3	4.92
20753	4 x 4	5.79

Viega ProPress Reducer Copper P x P - Model 2915.2


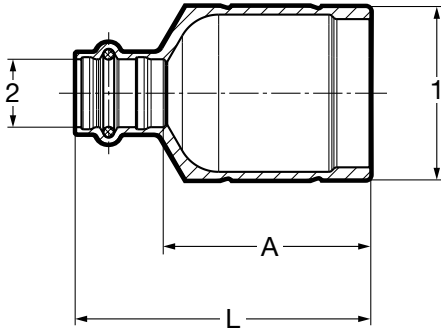
Part No.	Size (in)		A (in)	L (in)
	1	2		
78147	3/4	1/2	0.42	2.07
15603	1	1/2	0.71	2.36
78152	1	3/4	0.48	2.29
15593	1 1/4	3/4	0.70	2.64
78157	1 1/4	1	0.55	2.48
18473	1 1/2	3/4	0.98	3.33
15588	1 1/2	1	0.74	3.07
78162	1 1/2	1 1/4	0.50	2.96
18468	2	3/4	1.54	4.02
15608	2	1	1.29	3.78
22328	2	1 1/4	0.81	3.43
78167	2	1 1/2	0.74	3.75

Viega ProPress Reducer P x P - Model 0915.2XL


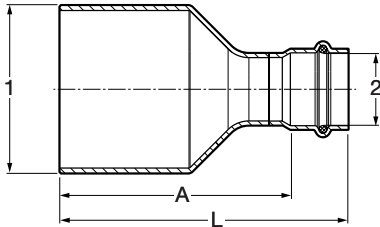
Part No.	Size (in)		A (in)	L (in)
	1	2		
20685	2 1/2	1	1.76	4.36
20690	2 1/2	1 1/4	1.61	4.34
20695	2 1/2	1 1/2	1.52	4.64
20700	2 1/2	2	1.41	4.69
20705	3	1 1/2	1.78	5.17
20710	3	2	1.53	5.08
20715	3	2 1/2	1.41	5.07
20720	4	2	2.06	6.00
20725	4	2 1/2	1.93	5.99
20730	4	3	1.70	6.03

Viega ProPress Reducer Copper FTG x P - Model 2915.1


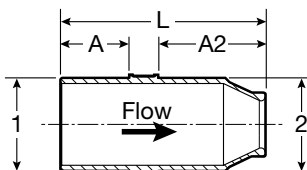
Part No.	Size (in)		A (in)	L (in)
	1	2		
78077	3/4	1/2	1.42	2.17
78082	1	1/2	1.69	2.44
78087	1	3/4	1.42	2.32
22333	1 1/4	1/2	1.91	2.74
78092	1 1/4	3/4	1.85	2.76
78097	1 1/4	1	1.57	2.48
14543	1 1/2	3/4	2.56	3.46
78102	1 1/2	1	2.28	3.19
78107	1 1/2	1 1/4	2.04	3.07
78112	2	1	3.03	3.94
78117	2	1 1/4	2.79	3.82
78122	2	1 1/2	2.63	4.06

Viega ProPress Reducer Zero Lead Bronze FTG x P - Model 2915.1ZL


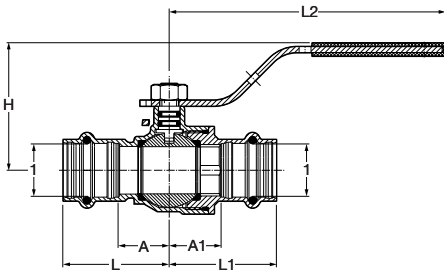
Part No.	Size (in)	A (in)	L (in)
	1 2		
79850	1½ x ½	1.95	2.78
79855	2 x ½	2.38	3.21
79860	2 x ¾	2.42	3.33

Viega ProPress Reducer FTG x P - Model 0915.1XL


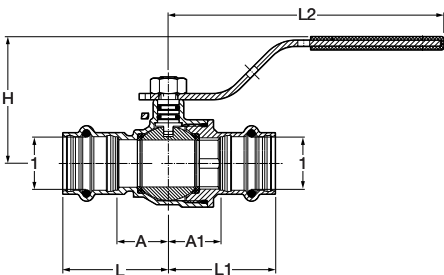
Part No.	Size (in)	A (in)	L (in)
	1 2		
20814	2½ x 1	3.61	4.52
20815	2½ x 1¼	3.47	4.51
20813	2½ x 1½	3.41	4.84
20758	2½ x 2	2.35	3.94
20817	3 x 1¼	3.96	5.00
20818	3 x 1½	3.91	5.34
20763	3 x 2	2.98	4.57
20768	3 x 2½	2.76	4.45
20773	4 x 2	4.58	6.17
20778	4 x 2½	4.45	6.15
20783	4 x 3	4.17	6.14

Viega ProPress Venturi Insert Zero Lead Bronze - Model 2911.5ZL


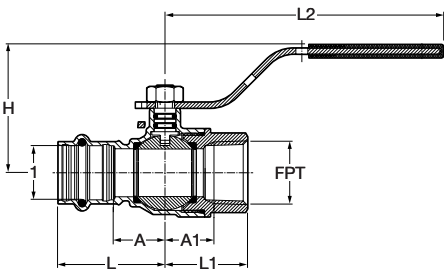
Part No.	Size (in)	A (in)	A2 (in)	L (in)
	1 2			
78810	1¼ x 1¼	1.02	1.60	3.07
78811	1½ x 1½	1.43	2.10	3.98
78812	2 x 2	1.58	2.45	4.48

Viega ProPress Ball Valve Zero Lead Bronze P x P - Model 2971.1ZL


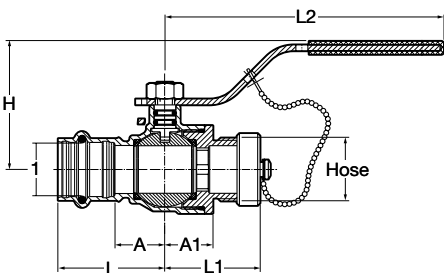
Part No.	Size		A (in)	A1 (in)	L (in)	L1 (in)	L2 (in)	H (in)
	1	1						
79920	1/2	1/2	0.75	0.75	1.57	1.57	4.57	1.97
79925	3/4	3/4	0.85	0.87	1.75	1.77	4.57	2.09
79930	1	1	1.02	1.06	1.93	1.96	5.75	2.46
79935	1 1/4	1 1/4	1.14	1.12	2.17	2.15	5.75	2.67
79940	1 1/2	1 1/2	1.46	1.25	2.87	2.67	6.12	3.02
79950	2	2	1.73	1.47	3.31	3.05	6.12	3.32

Viega ProPress Ball Valve Zero Lead Bronze P x P - Model 2971.3ZL


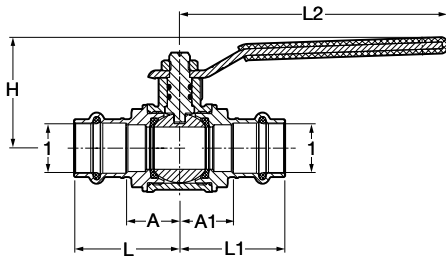
Part No.	Size		A (in)	A1 (in)	L (in)	L1 (in)	L2 (in)	H (in)
	1	1						
79923	1/2	1/2	0.75	0.75	1.57	1.57	4.57	1.97
79928	3/4	3/4	0.85	0.87	1.75	1.77	4.57	2.09
79933	1	1	1.02	1.06	1.93	1.96	5.75	2.46
79938	1 1/4	1 1/4	1.14	1.12	2.17	2.15	5.75	2.67
79943	1 1/2	1 1/2	1.46	1.25	2.87	2.67	6.12	3.02
79948	2	2	1.73	1.47	3.31	3.05	6.12	3.32

Viega ProPress Ball Valve Zero Lead Bronze P x FPT - Model 2971.4ZL


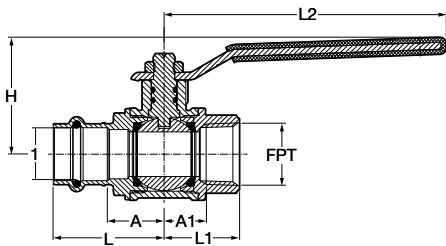
Part No.	Size		A (in)	A1 (in)	L (in)	L1 (in)	L2 (in)	H (in)
	1	FPT						
79970	1/2	1/2	0.73	0.66	1.57	1.20	4.57	1.97
79975	3/4	3/4	0.85	0.79	1.75	1.35	4.57	2.09
79980	1	1	1.02	0.98	1.93	1.63	5.75	2.46

Viega ProPress Ball Valve Zero Lead Bronze P x Hose - Model 2971.6ZL


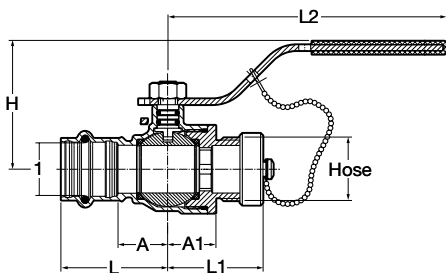
Part No.	Size		A (in)	A1 (in)	L (in)	L1 (in)	L2 (in)	H (in)
	1	Hose						
79875	1/2	3/4 GH	0.75	0.79	1.57	1.56	4.57	1.99
79876	3/4	3/4 GH	0.85	0.79	1.75	1.56	4.57	2.10

Viega ProPress Ball Valve Bronze/Brass P x P - Model 2973


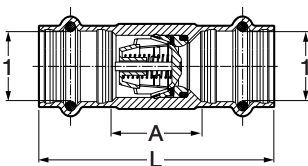
Part No.	Size (in) 1 1	A (in)	A1 (in)	L (in)	L1 (in)	L2 (in)	H (in)
24000	1/2 x 1/2	0.83	0.83	1.58	1.58	3.94	1.69
24005	3/4 x 3/4	0.95	0.95	1.86	1.86	4.72	1.97
24010	1 x 1	1.18	1.18	2.09	2.09	4.72	2.13
24015	1 1/4 x 1 1/4	1.29	1.29	2.31	2.31	6.22	2.87
24020	1 1/2 x 1 1/2	1.39	1.39	2.81	2.81	6.22	3.11
24025	2 x 2	1.85	1.85	3.43	3.43	6.22	3.46

Viega ProPress Ball Valve Bronze/Brass P x FPT - Model 2973.1


Part No.	Size (in) 1 x FPT	A (in)	A1 (in)	L (in)	L1 (in)	L2 (in)	H (in)
24030	1/2 x 1/2	0.83	0.63	1.58	1.16	3.94	1.69
24035	3/4 x 3/4	0.95	0.70	1.86	1.26	4.72	1.97
24040	1 x 1	1.18	0.93	2.09	1.59	4.72	2.13

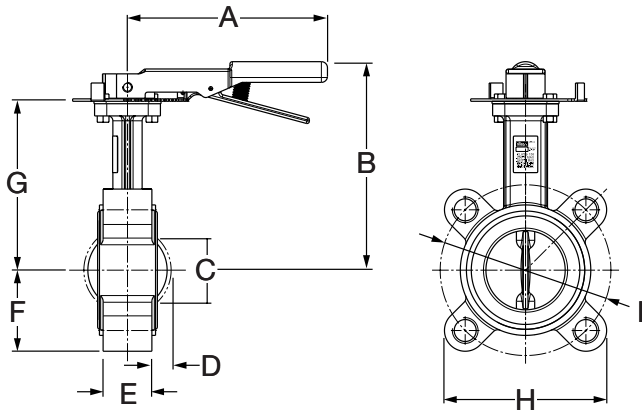
Viega ProPress Ball Valve Bronze/Brass P x Hose - Model 2973.3


Part No.	Size (in) 1 x Hose	A (in)	A1 (in)	L (in)	L1 (in)	L2 (in)	H (in)
24090	1/2 x 3/4	0.83	0.85	1.58	1.30	3.89	1.67
24095	3/4 x 3/4	0.95	0.94	1.86	1.39	4.72	1.97

Viega ProPress Check Valve Zero Lead Bronze P x P - Model 2974ZL


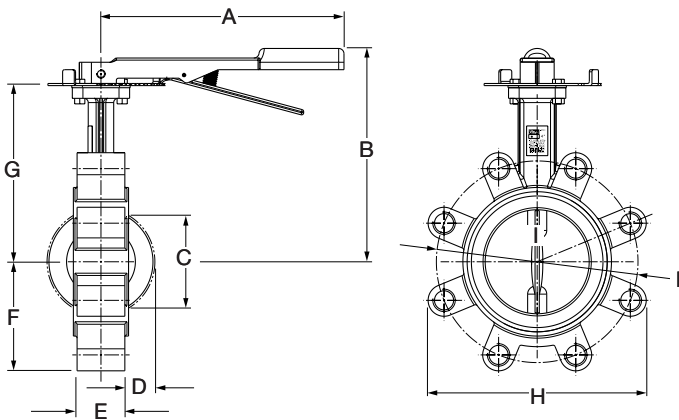
Part No.	Size 1 1	A (in)	L (in)
79035	1/2 x 1/2	0.87	2.52
79040	3/4 x 3/4	1.14	2.95
79045	1 x 1	1.34	3.15
79050	1 1/4 x 1 1/4	1.69	3.74
79055	1 1/2 x 1 1/2	2.09	4.92
79060	2 x 2	2.56	5.71

Butterfly Valve - Model 2873.81



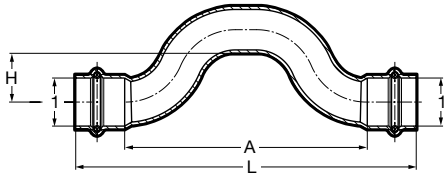
Part No.	Size (in)	A (in)	B (in)	C (in)	D (in)	E (in)	F (in)	G (in)	H (in)	I (in)
22074	2½	6.50	7.40	2.17	0.43	1.81	2.64	5.35	5.20	5.51
22075	3	7.28	7.64	2.80	0.67	1.81	2.82	5.59	7.01	5.98

Butterfly Valve - Model 2873.81



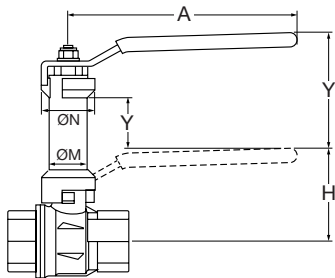
Part No.	Size (in)	A (in)	B (in)	C (in)	D (in)	E (in)	F (in)	G (in)	H (in)	I (in)
22076	4	9.06	8.47	3.54	0.91	2.05	3.62	6.42	8.27	7.48

Viega ProPress Cross-Over Copper P x P - Model 2928



Part No.	Size (in)	A (in)	L (in)	H (in)
	1 1			
77742	1/2 x 1/2	3.62	5.12	0.77
77747	3/4 x 3/4	4.49	6.30	0.90

Viega ProPress Stem Extension Brass - Model 2973.96*



Part No.	Valve Size (in)	M (in)	N (in)	A (in)	Y (in)	y (in)
23449	1/2	0.669	0.984	3.937	2.224	1.043
23451	3/4, 1	0.787	1.102	4.724	2.460	1.082
23453	1/4, 1 1/2, 2	1.023	1.417	6.220	2.657	0.807

*For use with Model 2973, 2973.1, and 2973.3 Valves

