

1 System Data Sheet

ProPress Fitting Systems



Viega ProPress may only be pressed onto copper tube in accordance with ASTM B88 or B75. When pressing onto B88 copper tube, types K, L, and M may be used. Tempers O60 and O50, known as “soft copper”, are limited to nominal sizes ½" to 1¼". Temper H58, known as “hard copper”, may be used with nominal sizes ½" to 4".



When pressing onto B75 copper tube, additional considerations apply. See [Viega ProPress Copper Tube Compatibility Tech Data](#).

ProPress fittings are available in elbows, couplings, reducers, tees, reducing tees, threaded adapters, unions, caps, and flanges. All threaded ½" to 2" fittings are Zero Lead bronze.

Operating Parameters

- Operating Pressure: 200 psi maximum
- Test Pressure: 600 psi maximum
- Operating Temperature: 0°F to 250°F

Listings and Certificates

- | | |
|-----------------|------------------------------------|
| ■ NSF/ANSI 61 | ■ ABS |
| ■ NSF/ANSI 372 | ■ CSA Low Lead Content |
| ■ IAPMO PS-117 | ■ ASME B16.51, B31.1, B31.3, B31.9 |
| ■ UL/ANSI 213 | ■ NFPA 13, 13D, 13R |
| ■ FM Class 1920 | |
| ■ ICC-ES IC1002 | |

Compliant With

- ASME B31
- ASTM B75
- ASTM B88
- IAPMO National Standard Plumbing Code (NSPC)
- IAPMO Uniform Mechanical Code (UMC)
- IAPMO Uniform Plumbing Code (UPC)
- ICC International Mechanical Code (IMC)
- ICC International Plumbing Code (IPC)
- ICC International Residential Code (IRC)
- NFPA 13, 13D, and 13R

Contact your local Viega representative for details on local approvals.

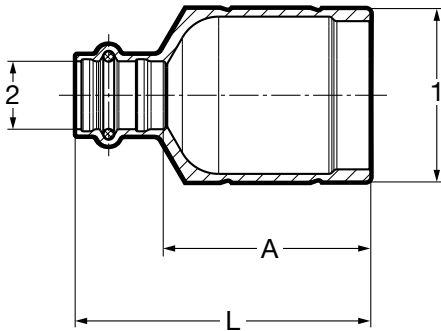
Approved Applications

- Hot and cold potable water
- Rainwater/gray water
- Fire sprinkler (175 psi maximum)
- Chilled water
- Hydronic heating (with glycol)
- Low pressure steam (15 psi maximum)
- Ethanol
- Compressed Air
- Non-medical gases
- Vacuum (29.2" Hg maximum @ 68°F)

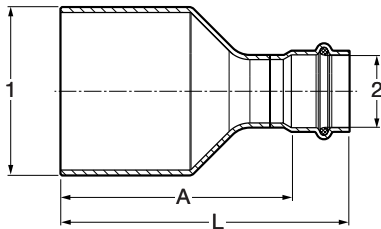
ProPress fittings are approved for installations in both above and below ground applications. Per code, local inspector approval must be obtained prior to installation below ground.

Smart Connect® Technology

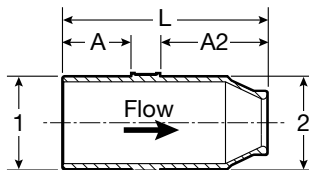
ProPress fittings are manufactured with Viega’s unique Smart Connect technology. Designed into the fitting itself, Viega Smart Connect technology allows identification of an unpressed fitting during pressure testing.

Viega ProPress Reducer Zero Lead Bronze FTG x P - Model 2915.1ZL


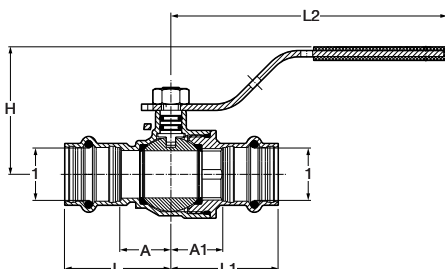
Part No.	Size (in)	A (in)	L (in)
	1 2		
79850	1½ x ½	1.95	2.78
79855	2 x ½	2.38	3.21
79860	2 x ¾	2.42	3.33

Viega ProPress Reducer FTG x P - Model 0915.1XL


Part No.	Size (in)	A (in)	L (in)
	1 2		
20814	2½ x 1	3.61	4.52
20815	2½ x 1¼	3.47	4.51
20813	2½ x 1½	3.41	4.84
20758	2½ x 2	2.35	3.94
20817	3 x 1¼	3.96	5.00
20818	3 x 1½	3.91	5.34
20763	3 x 2	2.98	4.57
20768	3 x 2½	2.76	4.45
20773	4 x 2	4.58	6.17
20778	4 x 2½	4.45	6.15
20783	4 x 3	4.17	6.14

Viega ProPress Venturi Insert Zero Lead Bronze - Model 2911.5ZL


Part No.	Size (in)	A (in)	A2 (in)	L (in)
	1 2			
78810	1¼ x 1¼	1.02	1.60	3.07
78811	1½ x 1½	1.43	2.10	3.98
78812	2 x 2	1.58	2.45	4.48

Viega ProPress Ball Valve Zero Lead Bronze P x P - Model 2971.1ZL


Part No.	Size	A (in)	A1 (in)	L (in)	L1 (in)	L2 (in)	H (in)
	1 1						
79920	½ x ½	0.75	0.75	1.57	1.57	4.57	1.97
79925	¾ x ¾	0.85	0.87	1.75	1.77	4.57	2.09
79930	1 x 1	1.02	1.06	1.93	1.96	5.75	2.46
79935	1¼ x 1¼	1.14	1.12	2.17	2.15	5.75	2.67