

TOILET/DISHWASHER OUTLET BOX

» 696 SERIES

OxBox™

ITEM # SUBMITTED	_____
JOB NAME	_____
LOCATION	_____
ENGINEER	_____
CONTRACTOR	_____
PO#	_____ TAG _____

SPECIFICATION

Sioux Chief 696 series supply OxBox™ shall be used where necessary in residential or commercial plumbing supply systems. Access box can be secured directly to vertical stud or between studs using galvanized bracket. Supply line can be installed from above or below. Arrester variations can be installed with arrester at any angle. Unit shall be available with ¼-turn valves. Metal support bracket shall install into top/bottom tracks of box. Outlet connection shall be generally ¾". Outlet connections should generally be provided with a test/tamper-resistant cap. Every unit shall include a debris cover for protection during rough-in. Valves will be plated.

MATERIALS

Valve body: no-lead, brass¹
Valve shank: no-lead brass¹/copper/PPSU/CPVC, 304SS grip ring
Outlet box/Frame: ABS
Arrester body: stainless steel, C69300 NL brass¹
Arrester piston: GFPP with EPDM o-rings
Bracket: galvanized steel

CERTIFICATIONS/APPROVALS

NSF-372 compliant, IAPMO listed box and valve
 Valves meet ASME A112.18.1, ASSE 1010 Arrester*

VALVE/ARRESTER WORKING LIMITS

Max working temperature: 200°F
Max air/water testing & working pressure: 150 PSIG

DIMENSIONS

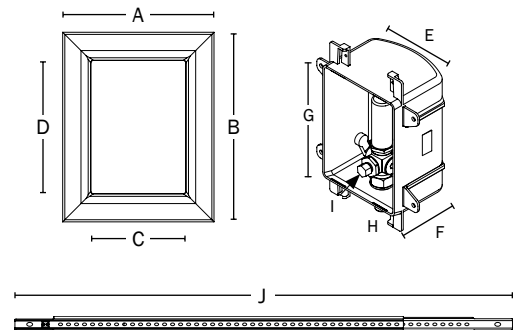
A: Frame width	5¾"
B: Frame height	7¼"
C: Frame opening width	3⅝"
D: Frame opening height	5⅛"
E: Rough-in box inner width	4"
F: Rough-in box overall depth	3½"
G: Rough-in box inner height	5½"
H: Supply connections	½" nom.
I: Outlet connections	¾" compression
J: Bracket length	18"



696-G1011XF



696-G1001WR



Create Item Number

696-G10ABC

e.g. **696-G1011MF:** Toilet/dishwasher supply box with no lead MIP/F.SWT valves with arrester and frame

ARRESTER A

01 = No arrester
11 = With arrester*

SUPPLY CONNECTION B

C = ½" Male CPVC
M = ½" MIP/F.SWT
P = Male sweat/press/push
V = ½" Viega PureFlow® PEX
W = ½" PEX F1960 Grip™
X = ½" PEX F1807/F2159 Crimp™

FRAME PACKAGING C

F = Standard pack (supply box, frame, bracket, debris cover)
R = Rough-in pack (supply box, bracket, debris cover)

Available Separately:

696-1F: Frame only

696-SC1: Frame insert w/ hose knockout

¹Material is C69300 dezincification and SCC resistant, and is compliant with NSF-61 Annex G and California No Lead Plumbing Law