

Features

- Above-counter valve for easy installation and maintenance.
- Vandal-resistant aerator.
- 5" (127 mm) spout reach.
- Without temperature mixer.
- Less drain.
- 0.5 gpm (1.9 lpm) maximum flow rate.
- Insight™ adaptive infrared technology.
- Waterproof shroud protects electronic components.
- Water-saving vandal-resistant 0.5 gpm aerator.

Material

- Brass construction.

Technology

- Includes 3.6 volt Hybrid Energy Cell.

Installation

- Single-hole mounting.
- 24" (610 mm) flexible supply hoses for easy installation.

Recommended Products/Accessories

K-23723 Faucet cleaner

Optional Products/Accessories

K-99799 Thermostatic Tempering Valve
 K-13478-A 4" escutcheon plate for Insight™ and Kinesis® faucet
 K-13478-B 4" escutcheon plate for Insight™ and Kinesis® faucet
 K-13479-A 8" escutcheon plate for Insight™ and Kinesis® faucet
 K-13479-B 8" escutcheon plate for Insight™ and Kinesis® faucet
 K-7129 Drain
 K-7129-A Drain
 1160595 .35 gpm Aerator, Medium



ADA CSA B651 OBC

Codes/Standards



ASME A112.18.1/CSA B125.1
 NSF/ANSI 372
 All applicable US Federal and State material regulations
 DOE - Energy Policy Act 1992
 ADA
 ICC/ANSI A117.1
 CSA B651
 OBC

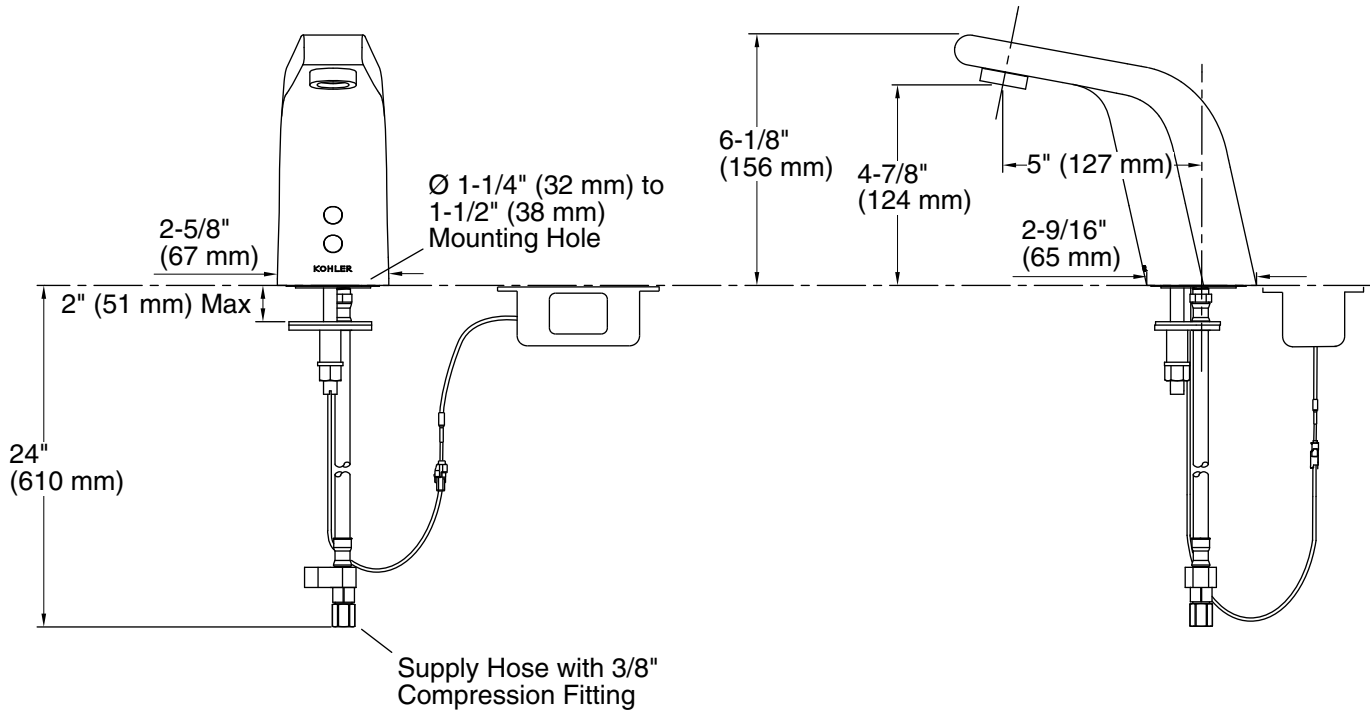
KOHLER® Electronic Faucets, Valves, and Controls Five-Year Limited Warranty

See website for detailed warranty information.

Available Colors/Finishes

Color tiles intended for reference only.

Color	Code	Description
	CP	Polished Chrome
	VS	Vibrant® Stainless



Technical Information

All product dimensions are nominal.

Faucet:

Flow rate: 0.5 gal/min (1.9 l/min)
 Valve body: Machined-brass
 Drain included: No

Notes

Install this product according to the installation guide.

A $1\text{-}1/4''$ (32 mm) minimum to $1\text{-}1/2''$ (38 mm) maximum diameter mounting hole is required.

The minimum distance between the back of the faucet spout and the wall must be $1\text{-}3/4''$ (44 mm). This will allow proper clearance for setscrew access.

The maximum distance between the bathroom sink basin edge to the base of the faucet spout must be $1\text{-}3/4''$ (44 mm).

The maximum height of the lip basin should be $3/4''$ (19 mm).

Product includes rosebud spray aerator. Other aerator styles are available.

ADA, OBC, CSA B651 compliant when installed to the specific requirements of these regulations.