

BAND HANGER

Figure 1A

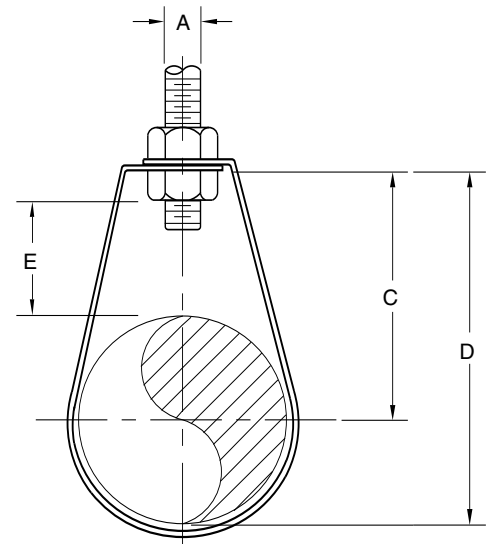
Designed to support non-insulated, stationary lines from above. The lower nut (not furnished) adjusts the pipe line to the proper elevation, while the top nut (not furnished) prevents loosening due to vibration, and must be tightened securely to assure proper hanger performance. For copper tubing please see our Figure 1A CT. For plastic coated please see our Figure 1A PVC.

Material: Carbon Steel.

Finish: Plain, Painted, Electro-Galvanized.

Compliance: Federal Specification A-A-1192A Type 7, MSS-SP-69 Type 7.

Ordering: Specify pipe size, figure number, and finish. For Metric applications specify Figure M1A.



PVC BAND HANGER

Figure 1A PVC

This product is designed to protect the pipe from coming into direct contact with the hanger by having the contact surface PVC coated. Install the same as a Figure 1A.

Material: Carbon Steel

Operating temperature: Should not exceed 140° F / 60° C.

Compliance: Federal Specification A-A-1192A Type 7, MSS-SP-69 Type 7.

Finish: Plain, Electro-Galvanized.

Ordering: Specify pipe size, figure number, and finish. For Metric applications specify Figure M1A PVC. See Figure 1A for plain and electro-galvanized finishes. For Copper Tubing see Figure 1A CT.

FIGURE 1A – BAND HANGER

PIPE SIZE	MAXIMUM LOAD	ROD SIZE A	C	D	ADJ. E	WEIGHT EACH
½	610	⅜	2¼	2 ¹¹ / ₁₆	1⅜	0.13
15	2714	M10	57	68	35	0.06
¾	610	⅜	2½	2 ¹¹ / ₁₆	1⅝	0.13
20	2714	M10	54	68	29	0.06
1	610	⅜	2½	2 ¹³ / ₁₆	1 ¹ / ₁₆	0.14
25	2714	M10	54	71	27	0.06
1¼	610	⅜	2 ³ / ₁₆	3 ³ / ₁₆	1	0.16
32	2714	M10	59	81	25	0.07
1½	610	⅜	2 ⁷ / ₁₆	3 ⁷ / ₁₆	1 ¹ / ₁₆	0.18
40	2714	M10	62	87	27	0.08
2	610	⅜	2 ⁷ / ₁₆	4 ¹ / ₁₆	1 ³ / ₁₆	0.20
50	2714	M10	73	103	30	0.09
2½	970	½	3⅝	4 ⁷ / ₁₆	⅞	0.37
65	4315	M12	79	113	22	0.17
3	970	½	3¾	5½	1⅜	0.43
80	4315	M12	95	140	35	0.20
3½	970	½	3⅞	5⅞	1¼	0.47
90	4315	M12	98	149	32	0.21
4	1250	½	4¼	6½	1⅜	0.69
100	5560	M12	108	165	35	0.31
5	1250	½	4 ¹⁵ / ₁₆	7⅞	1½	0.82
125	5560	M12	125	194	38	0.37
6	1600	¾	5 ¹⁵ / ₁₆	9¼	1 ¹¹ / ₁₆	1.50
150	7117	M20	151	235	43	0.68
8	1800	⅞	7 ¹⁵ / ₁₆	12¼	2½	1.89
200	8007	M20	202	311	64	0.86

DIMENSIONS		TEMPERATURE	LOADS	WEIGHT
INCHES	FARENHEIT		POUNDS	POUNDS
MILLIMETERS	CELSIUS		NEWTONS	KILOGRAMS

PIPE ATTACHMENTS

COPPER TUBING BAND HANGER

Figure 1A CT

Designed to support non-insulated, copper tubing lines from above. Install the same as a Figure 1A.

Material: Carbon Steel.

Finish: Copper.

Compliance: Federal Specification A-A-1192A Type 7, MSS-SP-69 Type 7.

Ordering: Specify tubing size, and figure number. For Metric applications specify Figure M1A CT. See Figure 1A for plain and electro-galvanized finishes. For PVC Coating refer to Figure 1A PVC.

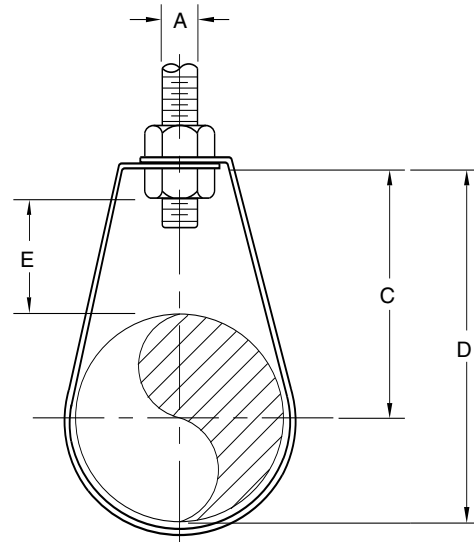


FIGURE 1A CT – COPPER TUBING BAND HANGER

TUBE SIZE	MAX LOAD	ROD SIZE A	C	D	ADJ. E	WEIGHT EACH
½	610	⅜	2⅞	2¾	1⅜	0.11
15	2714	M10	62	70	41	0.05
¾	610	⅜	2¾	2⅛	1⅝	0.11
20	2714	M10	70	68	33	0.05
1	610	⅜	2⅝	2⅛	1⅞	0.11
25	2714	M10	54	68	27	0.05
1¼	610	⅜	2⅝	2⅜	1⅝	0.12
32	2714	M10	54	71	24	0.05
1½	610	⅜	2⅝	3⅞	1⅞	0.14
40	2714	M10	60	87	27	0.06
2	610	⅜	2⅞	3⅝	1	0.16
50	2714	M10	65	92	25	0.07
2½	610	⅜	2⅝	4¼	1⅞	0.16
65	2714	M10	75	108	27	0.07
3	970	½	3¼	4⅜	1	0.38
80	4315	M12	83	122	25	0.17
3½	970	½	3⅞	5¼	1	0.42
90	4315	M12	87	133	25	0.19
4	1250	½	3¾	5⅝	1	0.45
100	5560	M12	95	151	25	0.20

DIMENSIONS		TEMPERATURE	LOADS	WEIGHT
INCHES	FAHRENHEIT	POUNDS	POUNDS	
MILLIMETERS	CELSIUS	NEWTONS	KILOGRAMS	