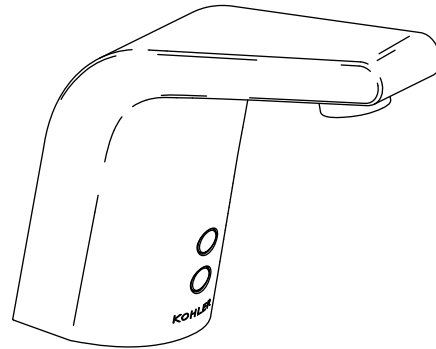


Features

- Brass construction
- Requires an AC power supply
- Single-hole mounting
- Above-counter valve for easy installation and maintenance
- Vandal-resistant aerator
- 24" (610 mm) flexible supply hoses for easy installation
- 5-3/4" (146 mm) spout reach
- Stationary spout
- Available with or without mixer
- Less drain
- 0.5 gallons (1.9 L) per minute flow rate

**ELECTRONIC FAUCET
K-13462
ALSO K-13463**

ADA **CSA B651** **OBC**



Codes/Standards Applicable

Specified model meets or exceeds the following at date of manufacture:

- ADA
- ICC/ANSI A117.1
- CSA B651
- OBC
- ASME A112.18.1/CSA B125.1
- Energy Policy Act of 2005

Colors/Finishes

- CP: Polished Chrome
- VS: Stainless Steel

Specified Model

Model	Description	Colors/Finishes	
K-13462	Electronic faucet – with mixer	<input type="checkbox"/> CP	<input type="checkbox"/> VS
K-13463	Electronic faucet – without mixer	<input type="checkbox"/> CP	<input type="checkbox"/> VS

Required Accessories		
K-13480	AC single supply transformer	<input type="checkbox"/> NA
K-13481	AC multi-outlet power supply (up to 8 faucets)	<input type="checkbox"/> NA
K-13487	AC supply 4' (1.2 m) cable assembly OR	<input type="checkbox"/> NA
K-13602	AC supply 6' (1.8 m) cable assembly OR	<input type="checkbox"/> NA
K-13603	AC supply 8' (2.4 m) cable assembly OR	<input type="checkbox"/> NA
K-13604	AC supply 10' (3 m) cable assembly	<input type="checkbox"/> NA

Product Specification

The electronic faucet shall be made of brass construction. Product shall require an AC power supply. Product shall have 0.5 gallons (1.9 L) per minute flow rate. Product shall feature a 5-3/4" (146 mm) spout reach, stationary spout, and 24" (610 mm) flexible supply hoses for easy installation. Product shall feature an above-counter valve for easy installation and maintenance. Product shall be for single-hole mounting. Product shall be available with or without mixer and less drain. Faucet shall be Kohler Model K-____-____.



Optional Accessories					
K-7129-A	Grid drain with overflow	<input type="checkbox"/> CP			<input type="checkbox"/> Other _____
K-7129	Grid drain without overflow	<input type="checkbox"/> CP			<input type="checkbox"/> Other _____
K-13478-A	4" (102 mm) escutcheon plate – round	<input type="checkbox"/> CP	<input type="checkbox"/> VS		
K-13479-A	8" (203 mm) escutcheon plate – round	<input type="checkbox"/> CP	<input type="checkbox"/> VS		
K-13601	Thermostatic mixing valve			<input type="checkbox"/> NA	
1160595	Medium Spray 0.35 gpm (1.32 lpm) – Insert only			<input type="checkbox"/> NA	
_____	Additional flow options are available (refer to the Price Book)			<input type="checkbox"/> NA	

Installation Notes

Install this product according to the installation guide.

A 1-1/4" (32 mm) minimum to 1-1/2" (38 mm) maximum diameter mounting hole is required.

The minimum distance between the back of the faucet spout and the wall must be 1-3/4" (44 mm). This will allow proper clearance for setscrew access.

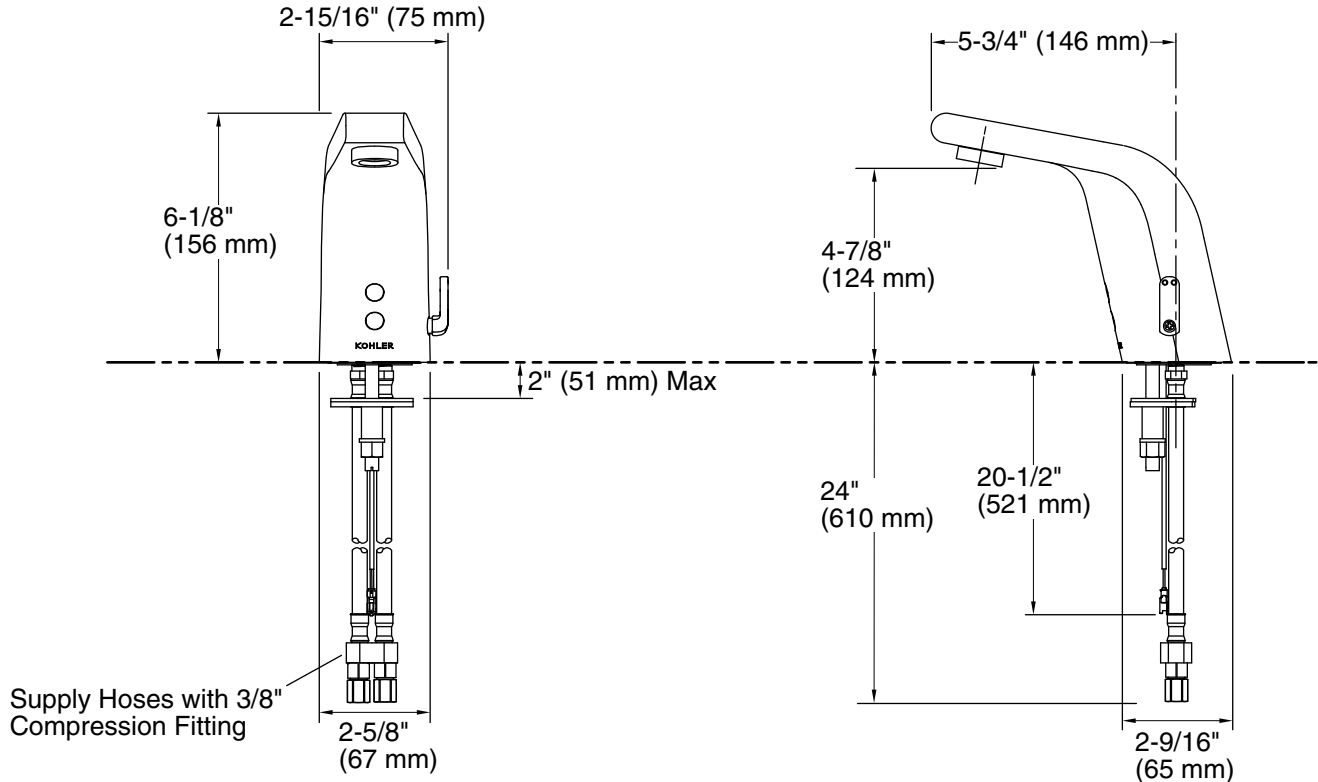
The maximum distance between the bathroom sink basin edge to the base of the faucet spout must be 1-3/4" (44 mm).

The maximum height of the lip basin should be 3/4" (19 mm).

Product includes 0.5 gpm (1.9 lpm) rosebud spray aerator. Other aerator styles are available. Please contact your distributor or see Kohler.com.

This product requires an AC power supply (not included).

ADA, ICC/ANSI A117.1, CSA B651, OBC compliant when installed to the specific requirements of these regulations.



Product Diagram