

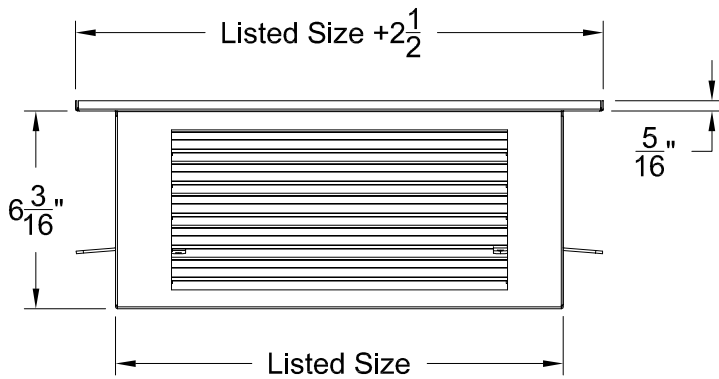
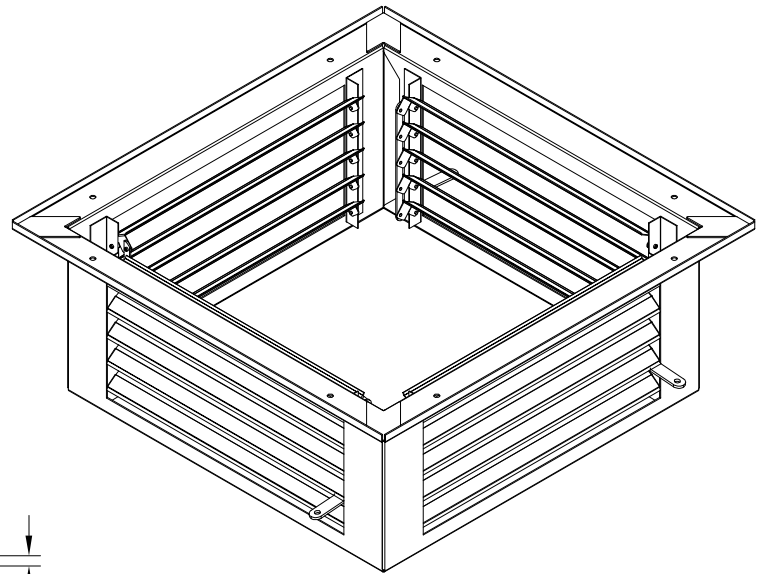
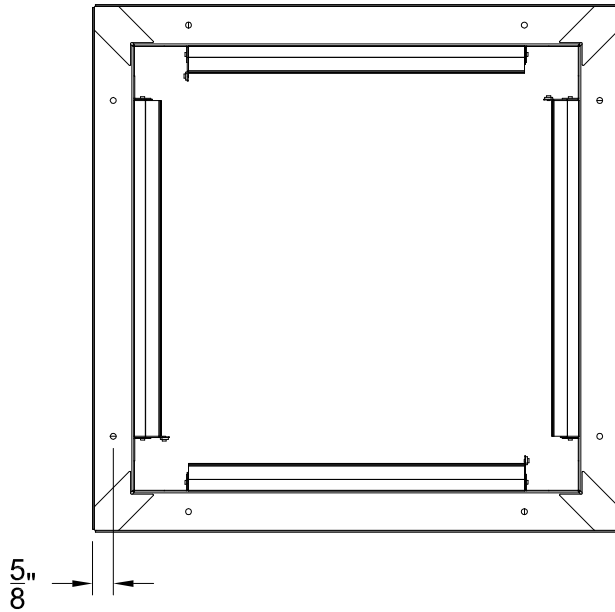
Tag: \_\_\_\_\_ Engineer: \_\_\_\_\_  
 Project: \_\_\_\_\_ Contractor: \_\_\_\_\_  
 Location: \_\_\_\_\_ Architect: \_\_\_\_\_  
 Date: \_\_\_\_\_ Submitted By: \_\_\_\_\_



Submittal: PSCDBX

4-Way Ceiling Diffuser Box  
Steel With Adjustable Dampers

Models: PSCDBX



Notes: (  check if provided)

1. Available Finishes	2. Available Accessories	3. Available Options	4. Construction Details
Standard Finish: <input type="checkbox"/> White	<input type="checkbox"/> <input type="checkbox"/>	<input type="checkbox"/>	<ul style="list-style-type: none"> <li>•</li> <li>•</li> </ul>