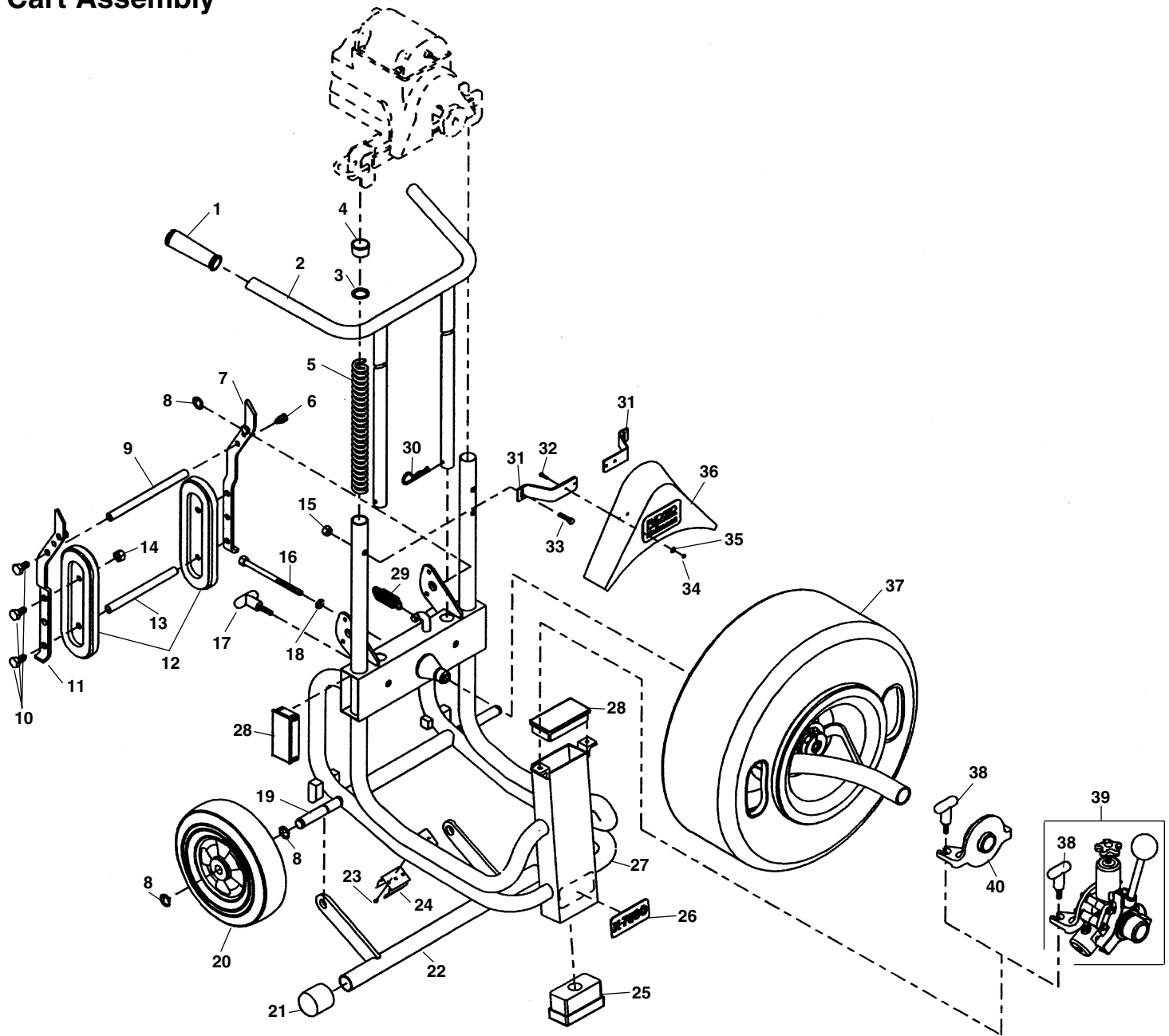


Cart Assembly



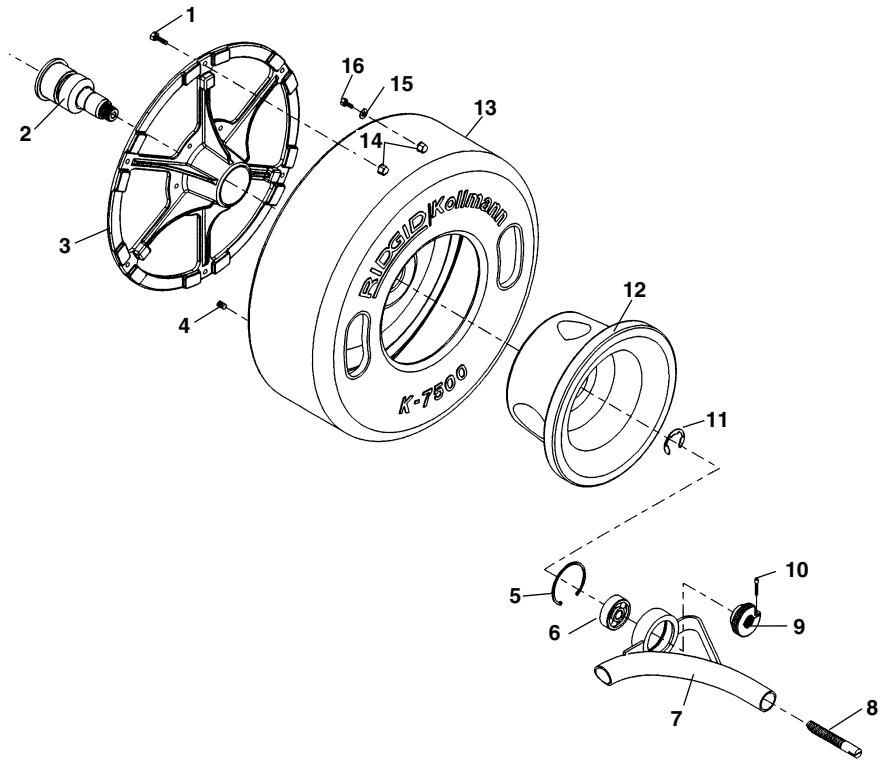
**NOTE: Order parts by Catalog Number only.
DO NOT order by Reference Number.**

| Ref. No. | Catalog No. | Description | Ref. No. | Catalog No. | Description | Ref. No. | Catalog No. | Description |
|----------|-------------|---------------------------------|----------|-------------|----------------------------|----------|-------------|------------------------------|
| 1 | 60827 | Hand Grips (2) | 15 | 69010 | Nut 1/4" - 20 (2) | 29 | 60667 | Spring |
| 2 | 60587 | Handle | 16 | 60617 | Bolt 1/2" - 13 x 6" | 30 | 60677 | Cotter Hairpin (2) |
| 3 | 61472 | Washer | 17 | 60622 | Mounting Knob (2) | 31 | 43967 | Guard Bracket (2) |
| 4 | 60422 | Cap Plug (2) | 18 | 43942 | Lock Washer 1/2" | 32 | 43962 | Screws #10 - 24 x 3/4" (8) |
| 5 | 43957 | Compression Spring | 19 | 60627 | Axle | 33 | 43972 | Carriage Bolt (2) |
| 6 | 59510 | Plunger Pin | 20 | 23602 | Wheel (2) | 34 | 87970 | Hex Nut #10 - 24 (4) |
| 7 | 60592 | Right Pivot Arm | 21 | 23607 | End Cap (2) | 35 | 61310 | Lock Washer #10 (4) |
| 8 | 60050 | Retaining Ring (8) | 22 | 60632 | Stabilizer | 36 | 44027 | Belt Guard |
| 9 | 60597 | Tie-Spring Bar | 23 | 60637 | Self-Tap Screw #6 - 32 (2) | 37 | 61107 | Drum Assembly w/5/8" Pigtail |
| 10 | 60020 | Hex Bolt 1/2" - 13 x 1 1/4" (6) | 24 | 60642 | Spring Clip | | 60042 | Drum Assembly w/3/4" Pigtail |
| 11 | 60602 | Left Pivot Arm | 25 | 60647 | Rest Pad | 38 | 60672 | Assembly Knob (2) |
| 12 | 60607 | Stairclimber (2) | 26 | 60652 | Model Plate | 39 | 60032 | AUTOFEED® Assembly |
| 13 | 60612 | Stairclimber Bar | 27 | 60657 | Frame | 40 | 61227 | Manual Feed Assembly |
| 14 | 78005 | Nut 1/2" - 13 (2) | 28 | 60662 | Cap Plug | | | |

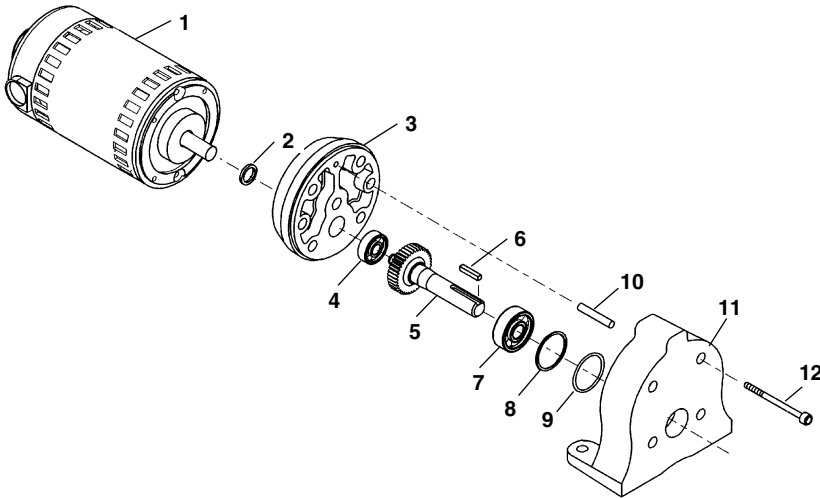
Drum Assembly

**NOTE: Order parts by Catalog Number only.
DO NOT order by Reference Number.**

| Ref. No. | Catalog No. | Description |
|----------|-------------|-------------------------------|
| — | 61107 | Drum Assembly, w/5/8" Pigtail |
| — | 60042 | Drum Assembly w/3/4" Pigtail |
| 1 | 44590 | Bolt 5/16" - 18 x 1" (9) |
| 2 | 60537 | Drum Shaft |
| 3 | 60547 | Drum Support |
| 4 | 60552 | Drain Plug |
| 5 | 60567 | Retaining Ring |
| 6 | 50802 | Bearing |
| 7 | 60557 | Guide Tube |
| 8 | 44117 | 3/4" Pigtail |
| | 44122 | 5/8" Pigtail |
| 9 | 60562 | Knurled Knob |
| 10 | 40910 | Screw |
| 11 | 64042 | Retaining Ring |
| 12 | 60572 | Inner Drum |
| 13 | 60577 | Outer Drum |
| 14 | 27517 | Lock Nut 5/16" - 18 |
| 15 | 35055 | Washer |
| 16 | 60515 | Bolt 5/16" - 18 x 1 1/4" |

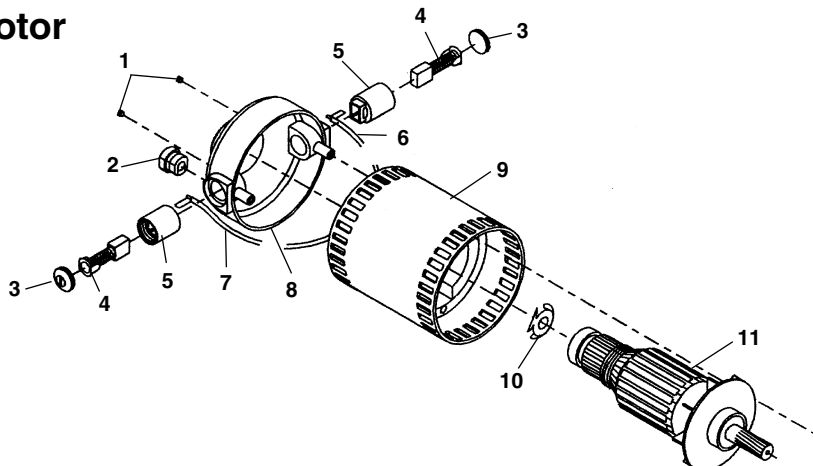


Motor/Gearbox Assembly



| Ref. No. | Catalog No. | Description |
|----------|-------------|-------------------------------|
| — | 72587 | Motor/Gearbox Assembly - 115V |
| — | 72582 | Motor/Gearbox Assembly - 230V |
| 1 | 75622 | Motor Only - 115V |
| | 75627 | Motor - 230V |
| 2 | 60442 | Seal |
| 3 | 60437 | Rear Gear Housing |
| 4 | 44760 | Bearing |
| 5 | 60432 | Main Drive Shaft w/Key |
| 6 | 60457 | Key |
| 7 | 44565 | Bearing |
| 8 | 60427 | Wave Spring |
| 9 | 61837 | O-Ring |
| 10 | 60452 | Dowel Pin 3/16" x 1 5/8" |
| 11 | 60397 | Front Gear Housing |
| 12 | 60402 | Screw #10-32 x 2 3/4" |

Motor

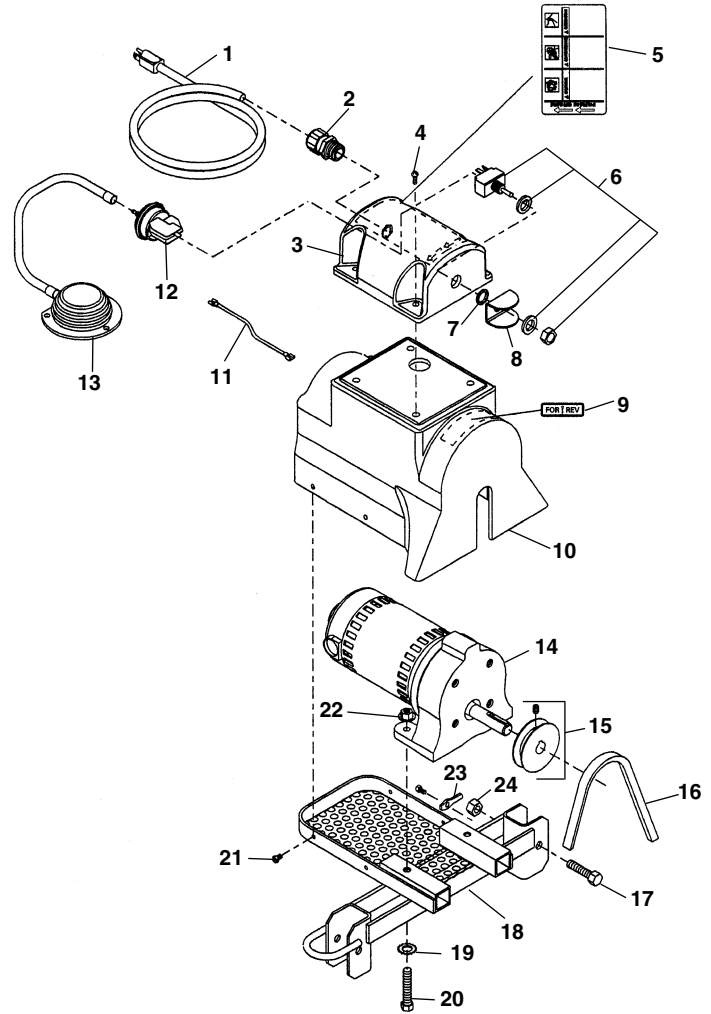


| Ref. No. | Catalog No. | Description |
|----------|-------------|---------------------------|
| — | 75622 | Motor - 115V |
| — | 75627 | Motor - 230V |
| 1 | 60492 | Brush Holder Screw |
| 2 | 60497 | Strain Relief |
| 3 | 60467 | Brush Cap Set |
| 4 | 72482 | Brush Set (115V) |
| | 60472 | Brush Set (230V) |
| 5 | 60482 | Brush Holder Set |
| 6 | 60487 | Black Brush Lead |
| 7 | 60502 | Red Brush Lead |
| 8 | 60522 | Rear Housing |
| 9 | 60507 | Field w/Housing (115V) |
| | 72487 | Field w/Housing (230V) |
| 10 | 60512 | Loading Spring |
| | 60517 | Armature w/Bearing (115V) |
| | 72492 | Armature w/Bearing (230V) |

Motor Table

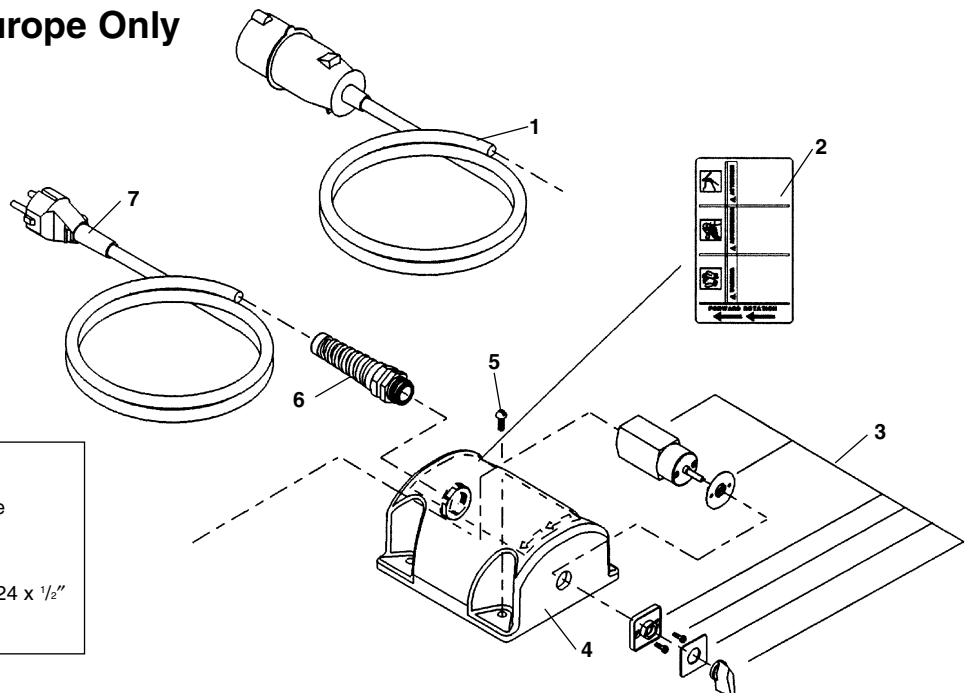
**NOTE: Order parts by Catalog Number only.
DO NOT order by Reference Number.**

| Ref. No. | Catalog No. | Description |
|----------|-------------|-----------------------------|
| 1 | 50507 | Line Cord w/GFI |
| 2 | 96265 | Strain Relief |
| 3 | 60387 | Switch Cover |
| 4 | 43962 | Screw #10 - 24 x 3/4" (8) |
| 5 | 60767 | Safety Sticker |
| 6 | 56252 | Switch |
| 7 | 23512 | Rubber Washer |
| 8 | 61490 | Switch Guard |
| 9 | 23687 | FOR/REV Label |
| 10 | 60392 | Motor Cover |
| 11 | 61477 | Connecting Wire |
| 12 | 32992 | Air Switch |
| 13 | 60462 | Foot Switch Assembly |
| 14 | 72587 | 115V Motor/Gearbox Assembly |
| | 72582 | 230V Motor/Gearbox Assembly |
| 15 | 60407 | Pulley |
| 16 | 60412 | V-Belt |
| 17 | 43992 | Screw 3/8" - 16 x 2" |
| 18 | 60417 | Motor Table |
| 19 | 61445 | Lock Washer 5/16" |
| 20 | 43757 | Screw 5/16" - 18 x 2 (2) |
| 21 | 36787 | Screw #10 - 24 (5) |
| 22 | 27517 | Lock Nut 5/16" - 18 (18) |
| 23 | 62857 | Bonding Braid |
| 24 | 79985 | Lock Nut 3/8" |



Electrical Components Europe Only

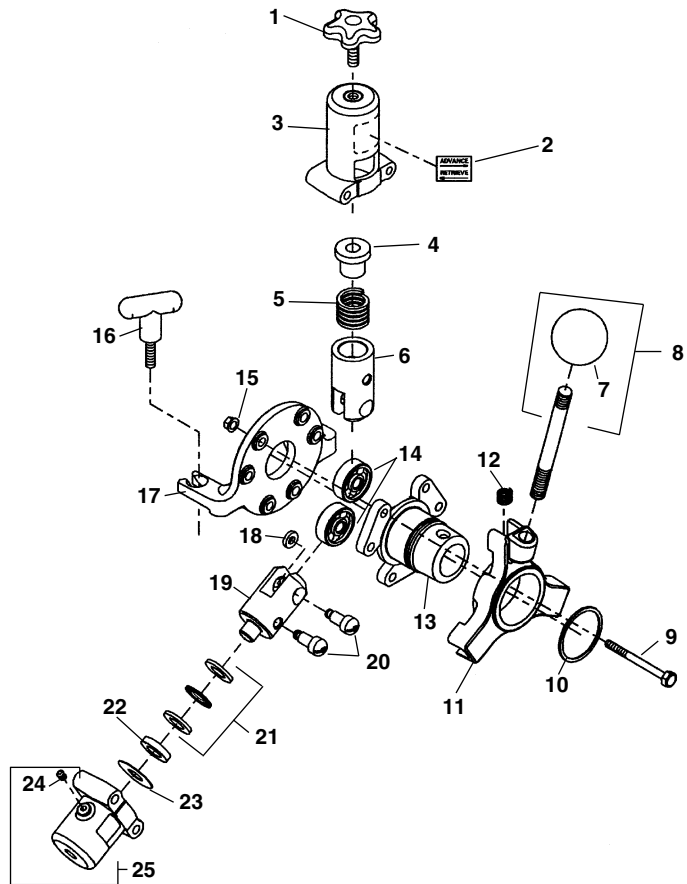
| Ref. No. | Catalog No. | Description |
|----------|-------------|--------------------------------|
| 1 | 45022 | Line Cord 110V Europe |
| 2 | 62837 | Warning Label Europe |
| 3 | 54157 | Switch Rotary |
| 4 | 62832 | Switch Cap - Rotary |
| 5 | 43962 | Round Hd. Scr. #10 - 24 x 1/2" |
| 6 | 54177 | Strain Relief |
| 7 | 39562 | 230V Line Cord |



AUTOFEED® Assembly

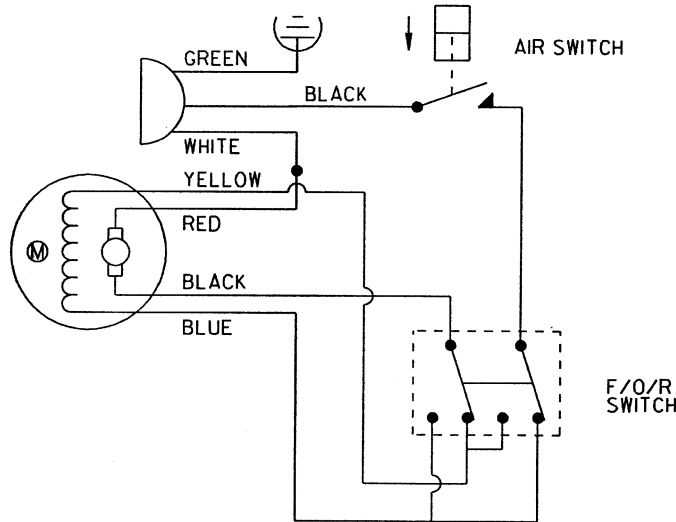
**NOTE: Order parts by Catalog Number only.
DO NOT order by Reference Number.**

| Ref. No. | Catalog No. | Description |
|----------|-------------|------------------------------------|
| — | 60032 | AUTOFEED® Assembly |
| 1 | 60682 | Feed Knob |
| 2 | 60762 | Advance/Retrieve Label |
| 3 | 60692 | Top Roller Housing |
| 4 | 93475 | Ball Holder |
| 5 | 93375 | Spring |
| 6 | 60707 | Movable Roller Holder |
| 7 | 59585 | Knob |
| 8 | 93630 | Clutch Handle Assy. w/Knob |
| 9 | 60737 | Bolt 5/16" - 18 x 3", Hex Head (6) |
| 10 | 44112 | Retaining Ring |
| 11 | 60742 | Actuator |
| 12 | 60697 | Return Spring |
| 13 | 60747 | Front Support Plate |
| 14 | 60752 | Roller Bearing (3) |
| 15 | 27517 | Lock Nut 5/16" - 18 (6) |
| 16 | 60672 | Handle (2) |
| 17 | 60712 | Back Support Plate |
| 18 | 60717 | Bearing Spacer (3) |
| 19 | 60722 | Stationary Roller Housing (2) |
| 20 | 60732 | Actuator Pin (6) |
| 21 | 68367 | Thrust Bearing Assembly (2) |
| 22 | 68372 | Spacer 0.235" (2) |
| 23† | 68377 | Spacer 0.06" (2) |
| 24 | 89810 | Grease Fitting (4) |
| 25† | 60727 | Stationary Roller Housing (2) |



† Service Note: Add the 0.06" spacers (Ref. No. 24) to the stationary roller holders (Ref. No. 25) to use the AUTOFEED® on 1/8" cable.

Wiring Diagram



European Wiring Diagram

