



## Remote Chiller Accessories For Models: SJ2-Q and SJ8-Q

### 42612 Wall Box Assembly

- Allows chiller to be mounted **behind** a wall
- Kit includes open stainless steel frame, stainless steel grill, and cradle (shelf with hooks and screws)
- **Shipping Weight:** 20 lbs.

*Use part #734261251550 when ordering.*

### 27107 Shelf

- Allows chiller to be mounted **on** a wall
- Stainless steel shelf designed for use with the SJ2-Q and SJ8-Q, so chillers can be mounted on a wall
- No cover available
- **Shipping Weight:** 15 lbs.

*Use part #732710751550 when ordering.*

NOTE: Continued product improvement makes specification subject to change without notice. See Halsey Taylor website for most current spec sheet.

## Wall Box Assembly



## Shelf



JOB NAME: \_\_\_\_\_

\_\_\_\_\_

\_\_\_\_\_

ENGINEER/CONTRACTOR NAME:

\_\_\_\_\_

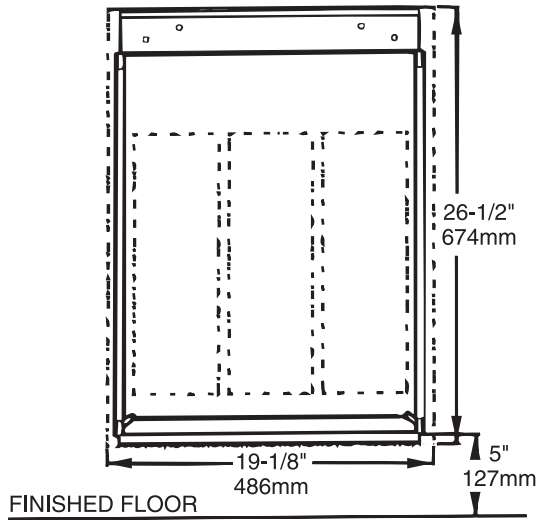
APPROVAL: \_\_\_\_\_

DATE: \_\_\_\_\_

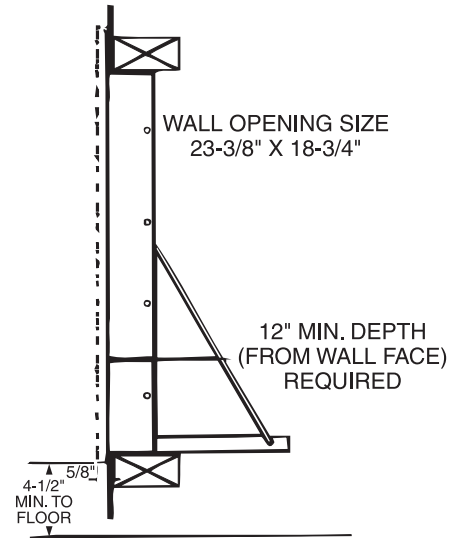
Remote Chiller Accessories  
For Models: SJ2-Q and SJ8-Q

42612 Wall Box Assembly

FRONT VIEW

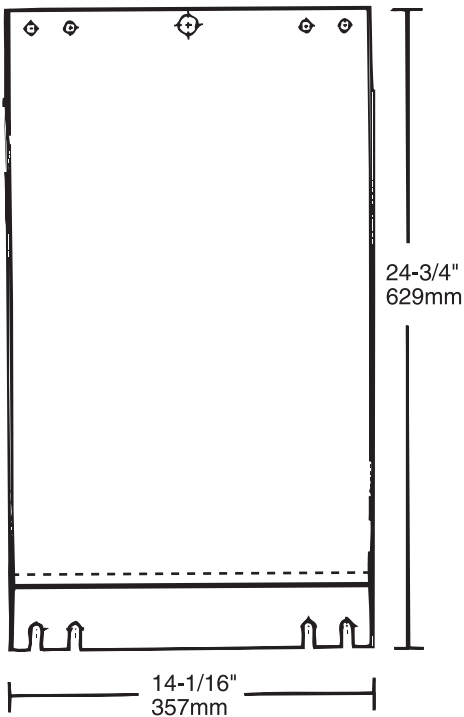


SIDE VIEW



27107 Shelf

FRONT VIEW



SIDE VIEW

