

FAUCET DESCRIPTION

- Chrome plated metal construction
- 1/2" IPS connections
- Supplied with vandal resistant screws

OPERATION

- Wrist-Blade style handles with hot and cold color indicators
- Hot side counterclockwise (1/4) turn to open (clockwise to close)
- Cold side clockwise (1/4) turn to open (counterclockwise to close)

FLOW

- Aerator is limited to 2.2 gpm max (8.3 L/min)

CARTRIDGE

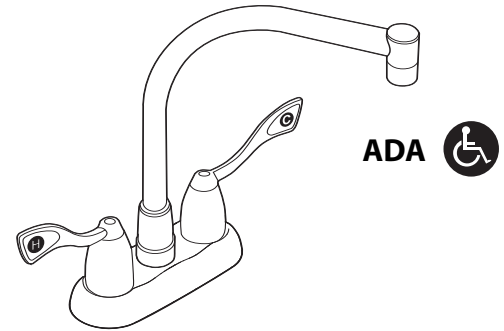
- 1224 cartridge design
- Nonmetallic and stainless steel construction

STANDARDS

- This faucet is third party certified by CSA to meet CSA B-125, and all specifications referenced therein and complies with NSF 61/9, California Proposition 65, and with the requirements of ANSI A117.1

WARRANTY

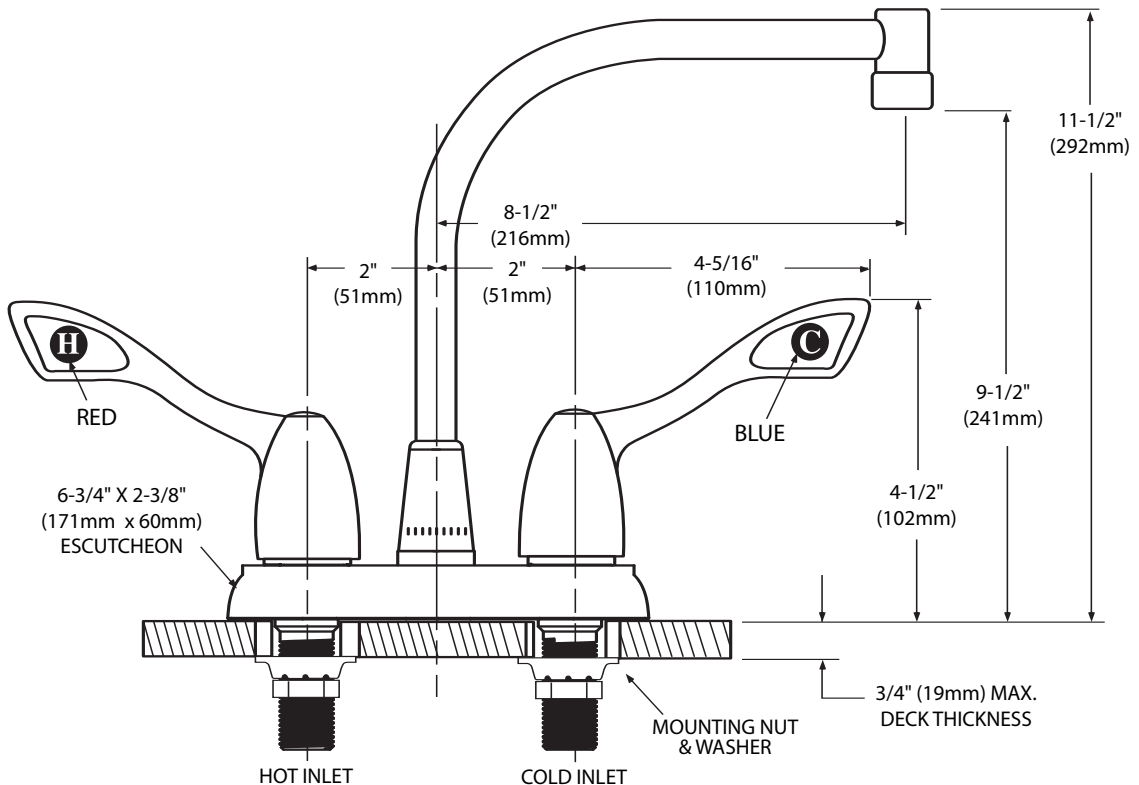
- Warranted for 5 years against material or manufacturing defects



Two-Handle Bar Faucet

Model: 8940

NOTE: THIS FAUCET IS DESIGNED TO BE INSTALLED THROUGH 2 HOLES, 1" MIN. DIA. AND 4" ON CENTER



CRITICAL DIMENSIONS

(DO NOT SCALE)