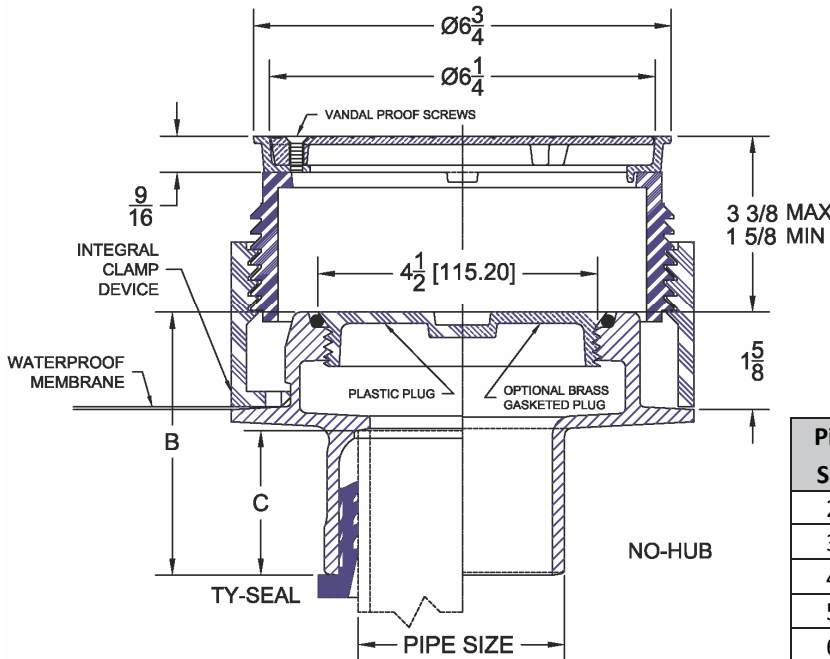
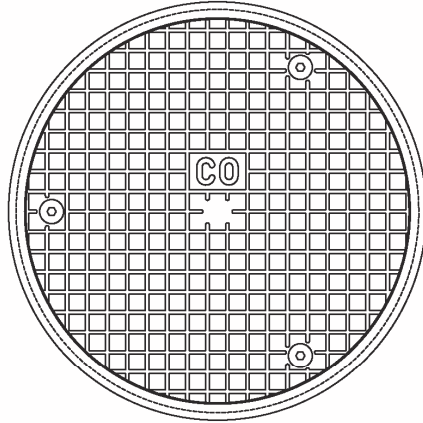


### 6000 Adjustable Floor & Grade Cleanout

Project	Engineer	Mechanical
---------	----------	------------



Pipe Size	Push-On		No-Hub	Inside Caulk
	B	C	B	B
2"	4-1/4	2-3/8	4-1/4	6-1/2
3"	4-1/4	2-3/8	4-1/4	6-1/2
4"	4-1/4	2-1/2	4-1/4	6-1/2
5"	4-1/4	2-1/2	4-1/4	N/A
6"	4-3/8	2-5/8	4-1/4	N/A

6000	Ferrule Only	-1	-2	-12	-85
•		Cast Iron Body with Satin Finish Nickel Bronze Top	Cast Iron Body with Satin Finish Bronze Top	Cast Iron Body with Ductile Iron Top	Cast Iron Body with Satin Finish Stainless Steel Top

**Regularly Furnished:** Cast iron cleanout with threaded, adjustable housing, flanged ferrule, integral clamping collar, ABS plug, & round top with scoriated secured cover.

\*Dimensions vary from illustration

Suffix Options		
Suffix	Description	•
-ARC	Acid Resistant Coating	
-CF	Carpet Flange	
-CM	Carpet Marker	
-DT	Wide Flange w/ Round Tile Floor Cover *	
-E	Elastomeric Flange*	
-S	Square Cover*	
-T	Round Tile Floor Cover	
-TS	Square Tile Floor Cover*	
-U	Round Terrazzo Floor Cover	
-US	Square Terrazzo Floor Cover*	
-VP	Vandal Proof Top Assembly	
-X	Heavy Duty Cover (Standard on -12)	
-39	Galvanized Cast Iron	
-75	Brass Plug in Lieu of Plastic	
-81	Gasketed Cover	
-83	Special Marking	

Outlet Variations		
Type	Designation	•
Inside Caulk	2IC,3IC,4IC	
No-Hub	2NH,3NH,4NH,6NH	
Push On Gasket	2TY,3TY,4TY,6TY(CI),6TX(PVC)	