

Product Features

- Includes escutcheon, handle, sleeve

Code Compliance

This unit meets or exceeds the following:

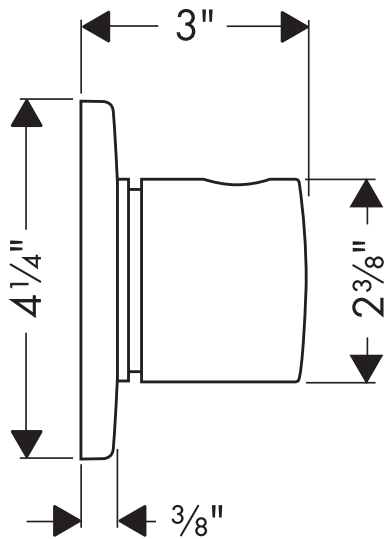
- ASME A112.18.1
- CSA B125.1
- Listed by IAPMO

Available Finishes

Chrome	38934001
Brushed Nickel	38934821

Required Accessories

Quattro diverter rough	15930181
or	
Trio 2-Way diverter rough	15984181
or	
Trio Stop diverter rough	15981181



The measurements shown are for reference only.

Products and specifications shown are subject to change without notice.

Specification sheet revised 5/2010